



US00D954173S

(12) **United States Design Patent**
Chu

(10) **Patent No.:** **US D954,173 S**
(45) **Date of Patent:** **** Jun. 7, 2022**

- (54) **BULLET**
- (71) Applicant: **Chengwei Chu**, Jiangsu (CN)
- (72) Inventor: **Chengwei Chu**, Jiangsu (CN)
- (**) Term: **15 Years**
- (21) Appl. No.: **29/798,388**
- (22) Filed: **Jul. 7, 2021**
- (51) **LOC (13) Cl.** **22-03**
- (52) **U.S. Cl.**
USPC **D22/116**
- (58) **Field of Classification Search**
USPC D22/100, 102, 103, 109, 113, 115, 116
CPC F42B 30/02
See application file for complete search history.

- D700,018 S * 2/2014 Thrash D7/608
- D791,264 S * 7/2017 Burczynski F42B 5/025
D22/115
- D802,705 S * 11/2017 Burczynski F42B 12/74
D22/115
- D877,848 S * 3/2020 Kedairy G09F 3/00
D22/116

FOREIGN PATENT DOCUMENTS

GB 6148117 * 7/2021

* cited by examiner

Primary Examiner — S. Bryan Reinholdt, Jr.
(74) *Attorney, Agent, or Firm* — ScienBiziP, P.C.

(57) **CLAIM**

The ornamental design for a bullet, as shown and described.

(56) **References Cited**

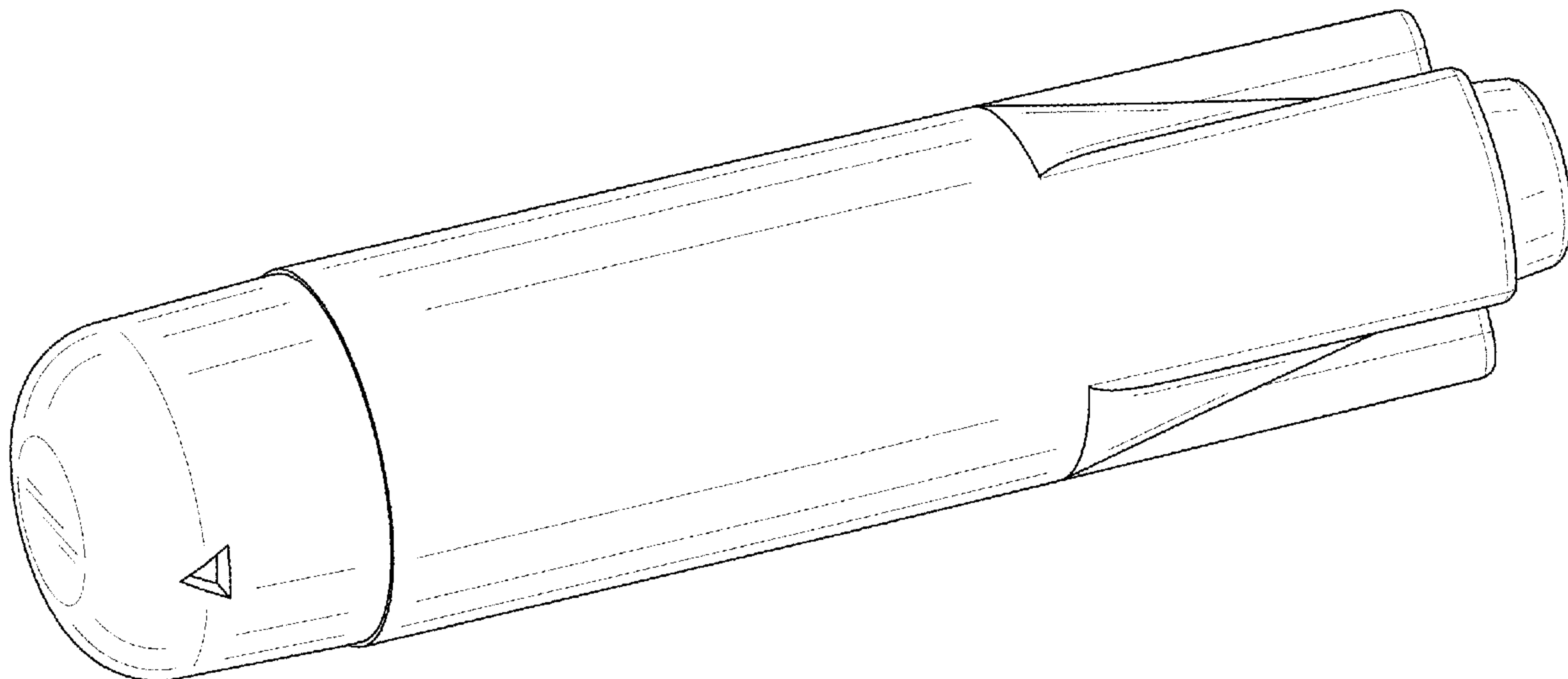
U.S. PATENT DOCUMENTS

- 2,105,528 A * 1/1938 Foisy F42B 12/74
86/39
- D249,700 S * 9/1978 Wilson D22/116
- D298,348 S * 11/1988 Posey D22/116
- D309,339 S * 7/1990 Lutfy D22/116
- 6,240,850 B1 * 6/2001 Holler F42B 5/025
86/19.5
- D474,471 S * 5/2003 Hervig D14/403
- D615,818 S * 5/2010 Jansen D9/680
- D625,380 S * 10/2010 Walter D22/116
- D638,090 S * 5/2011 Hanchett D22/115

DESCRIPTION

FIG. 1 is a front, left, and top perspective view of a bullet, showing my design.
FIG. 2 is a front elevation view thereof.
FIG. 3 is a rear elevation view thereof.
FIG. 4 is a left side elevation view thereof.
FIG. 5 is a right side elevation view thereof.
FIG. 6 is a top plan view thereof; and,
FIG. 7 is a bottom plan view thereof.

1 Claim, 7 Drawing Sheets



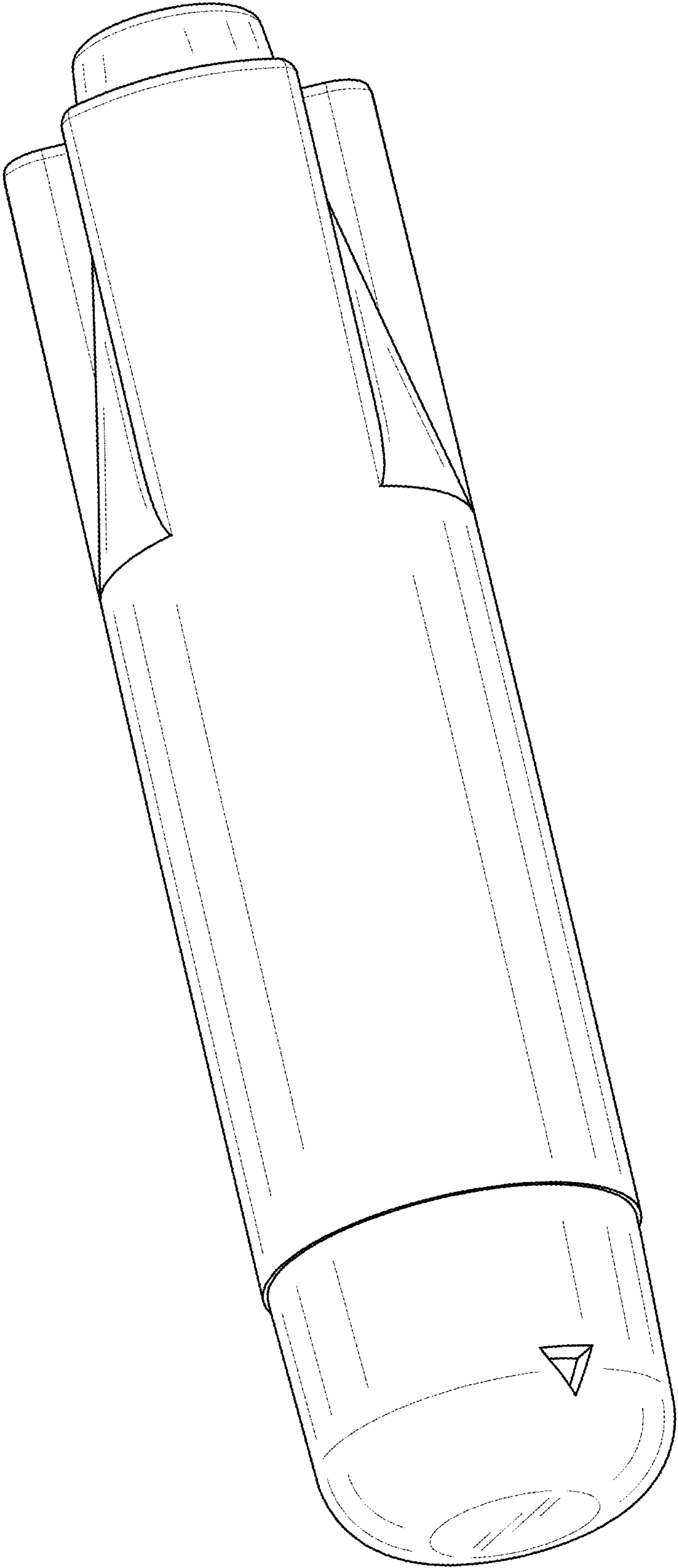


FIG. 1

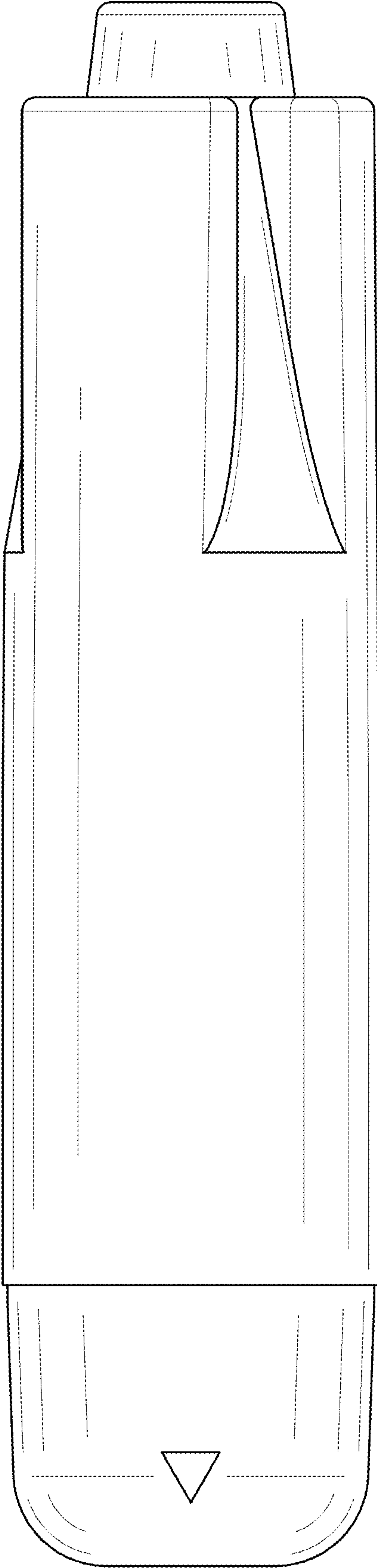


FIG. 2

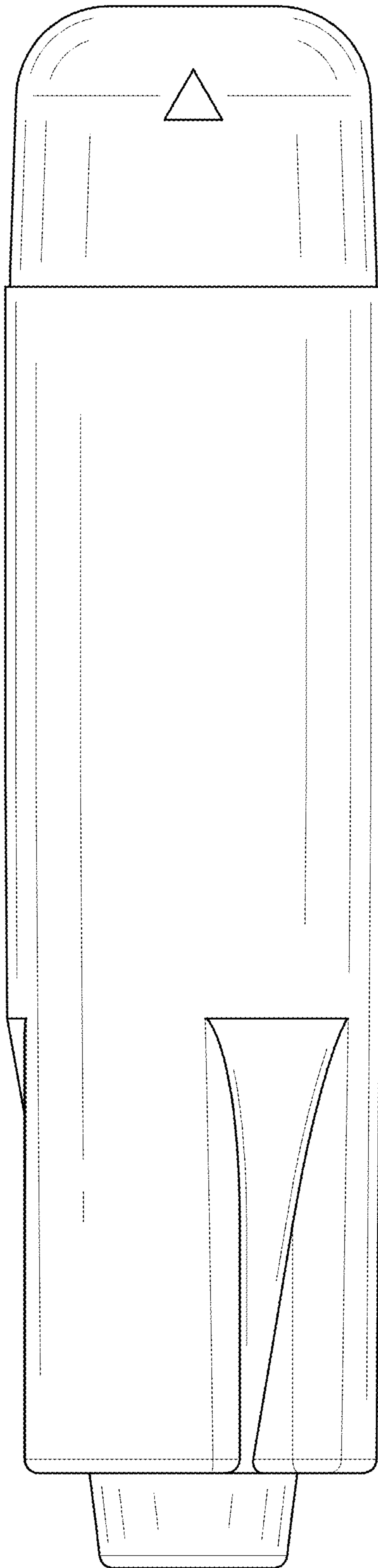


FIG. 3

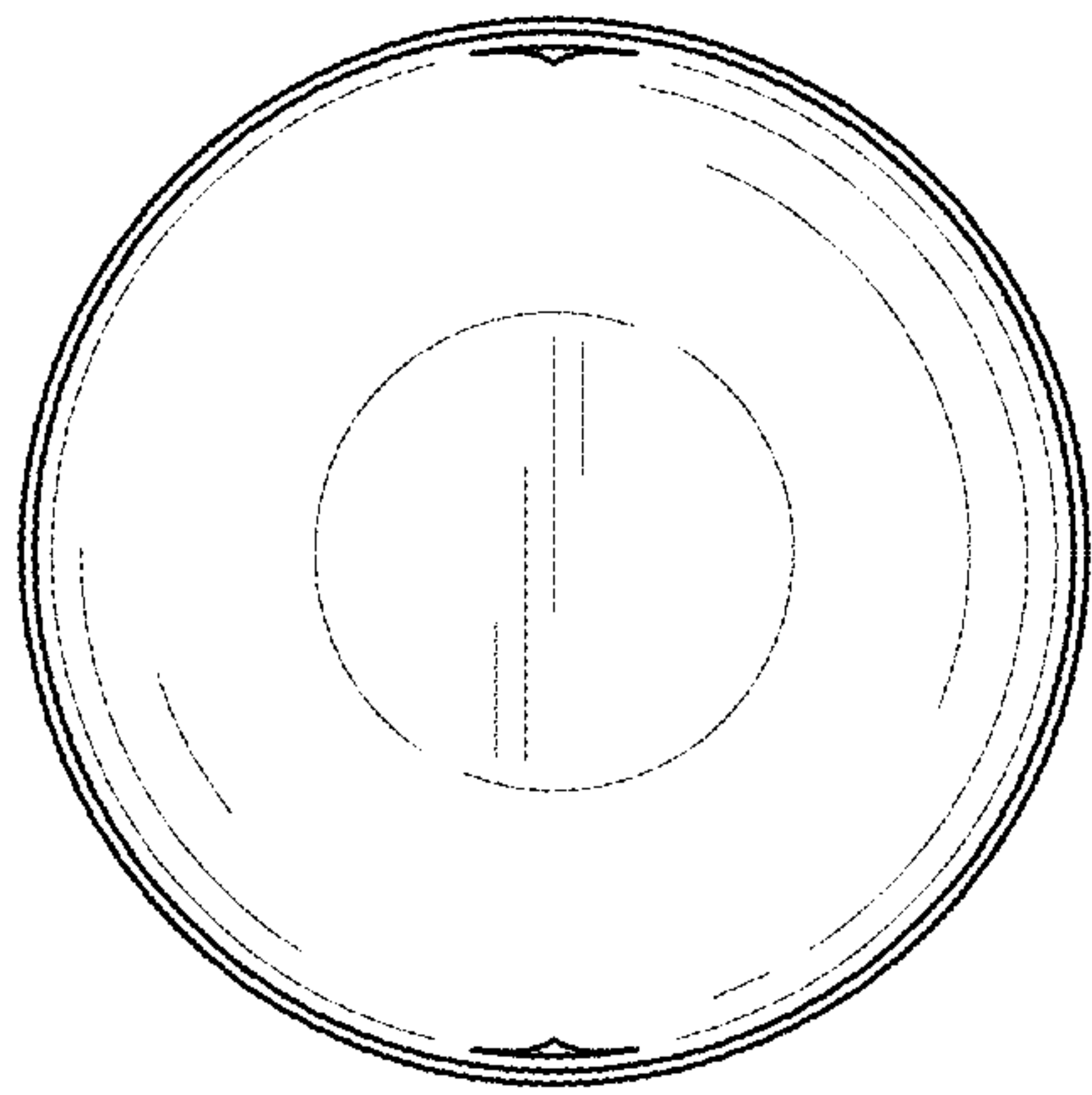


FIG. 4

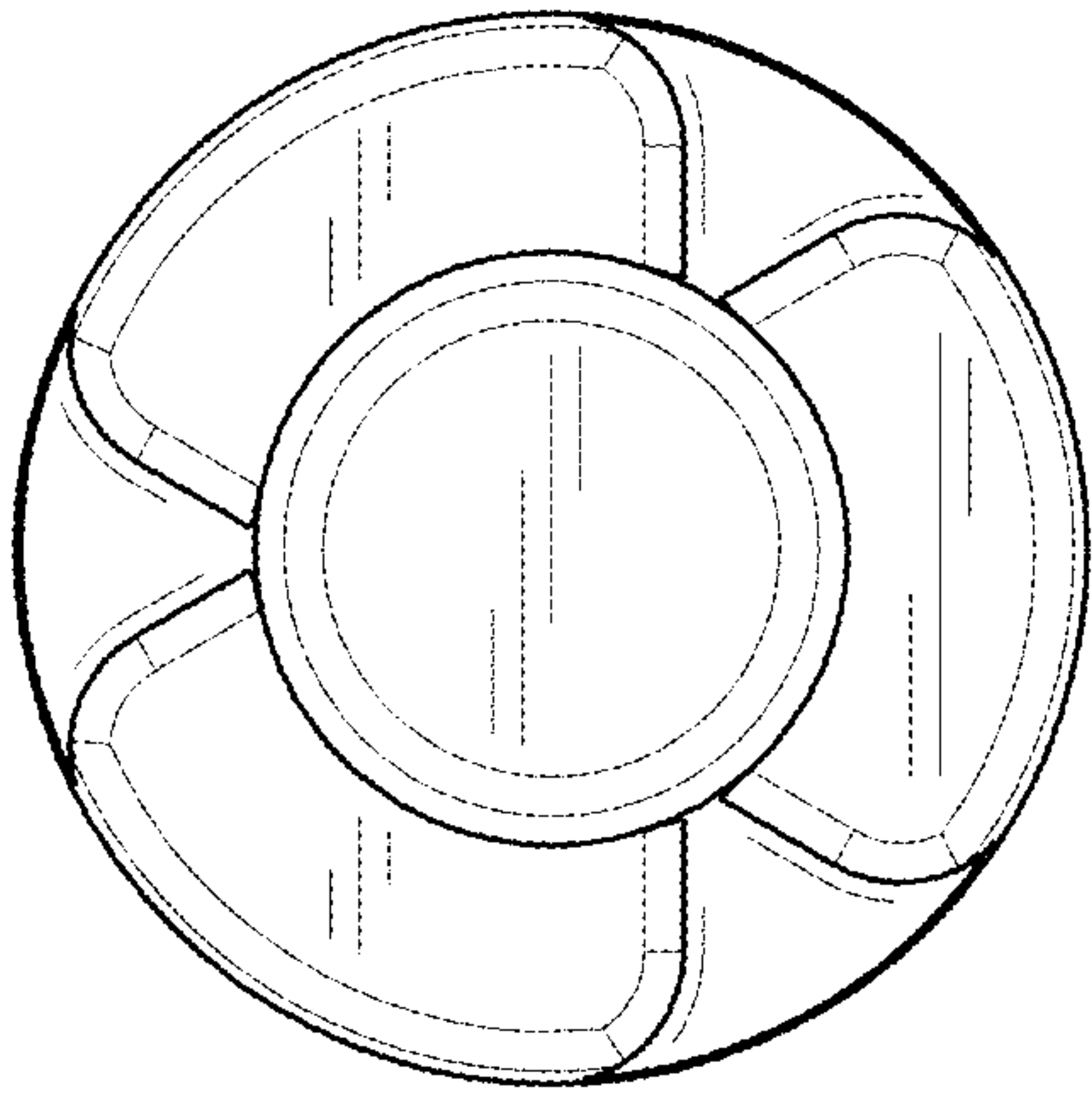


FIG. 5

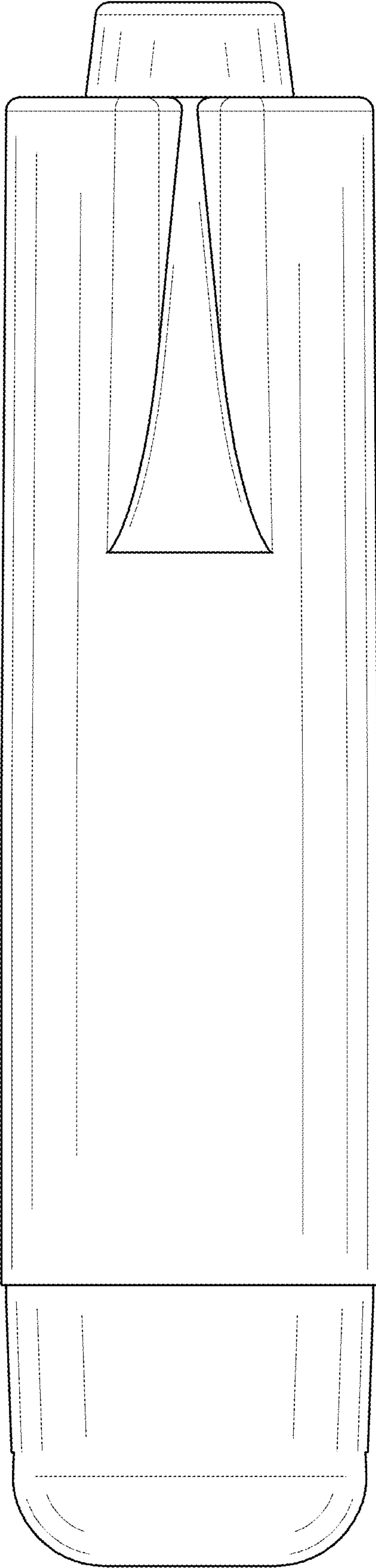


FIG. 6

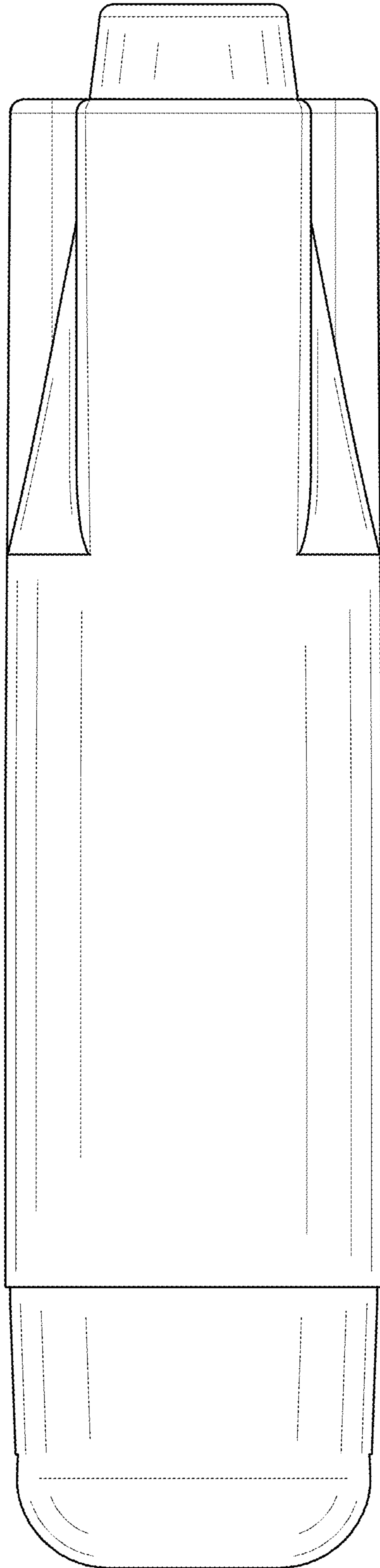


FIG. 7