

US00D954170S

(12) **United States Design Patent**  
**Liu**

(10) **Patent No.:** **US D954,170 S**  
(45) **Date of Patent:** **\*\* Jun. 7, 2022**

(54) **RIFLE SCOPE**

(71) Applicant: **Yibing Liu**, Wuhan (CN)

(72) Inventor: **Yibing Liu**, Wuhan (CN)

(\*\*) Term: **15 Years**

(21) Appl. No.: **29/801,122**

(22) Filed: **Jul. 27, 2021**

(51) **LOC (13) Cl.** ..... **22-01**

(52) **U.S. Cl.**  
USPC ..... **D22/109**

(58) **Field of Classification Search**  
USPC ..... D22/100, 102, 103, 109, 113, 116, 110;  
D26/38, 60

CPC ..... F41G 1/00; F41G 1/35; F41G 1/36; F41G  
11/003; F41C 23/14; F41C 23/20

See application file for complete search history.

(56) **References Cited**

**U.S. PATENT DOCUMENTS**

4,114,302	A *	9/1978	Litman	.....	F41G 11/001 42/126
D365,858	S *	1/1996	Tomita	.....	F41G 11/001 D16/132
D415,546	S *	10/1999	Otteman	.....	D22/108
D589,580	S *	3/2009	Chia-Chun	.....	F41G 3/165 D22/109
7,676,137	B2 *	3/2010	Schick	.....	F41G 1/345 33/297
D631,121	S *	1/2011	Cheng	.....	H04N 5/2257 D22/108
D756,480	S	5/2016	Kay		
9,982,965	B2 *	5/2018	Sun	.....	F41G 1/345

D923,739	S	6/2021	Miller et al.		
2013/0194435	A1 *	8/2013	Lupher	.....	H04N 5/2257 370/310
2013/0286239	A1 *	10/2013	Lupher	.....	F41G 3/165 348/222.1
2013/0288205	A1 *	10/2013	Lupher	.....	F41G 3/2644 434/19
2021/0072113	A1 *	3/2021	Liu	.....	G01M 11/0207

**FOREIGN PATENT DOCUMENTS**

CN 306934687 \* 11/2021

\* cited by examiner

*Primary Examiner* — S. Bryan Reinholdt, Jr.

(57) **CLAIM**

The ornamental design for a rifle scope, as shown and described.

**DESCRIPTION**

FIG. 1 is a perspective view of a rifle scope showing my new design;  
 FIG. 2 is another perspective view thereof;  
 FIG. 3 is a front elevational view thereof;  
 FIG. 4 is a rear elevational view thereof;  
 FIG. 5 is a left side elevational view thereof;  
 FIG. 6 is a right side elevational view thereof;  
 FIG. 7 is a top plan view thereof;  
 FIG. 8 is a bottom plan view thereof; and,  
 FIG. 9 is an enlarged view of portion 9 shown in FIG. 2.  
 The dash-dash broken lines in the drawings depict portions of the rifle scope that form no part of the claimed design. The dot-dash broken lines represent boundaries of the enlarged portion and form no part of the claimed design.

**1 Claim, 9 Drawing Sheets**

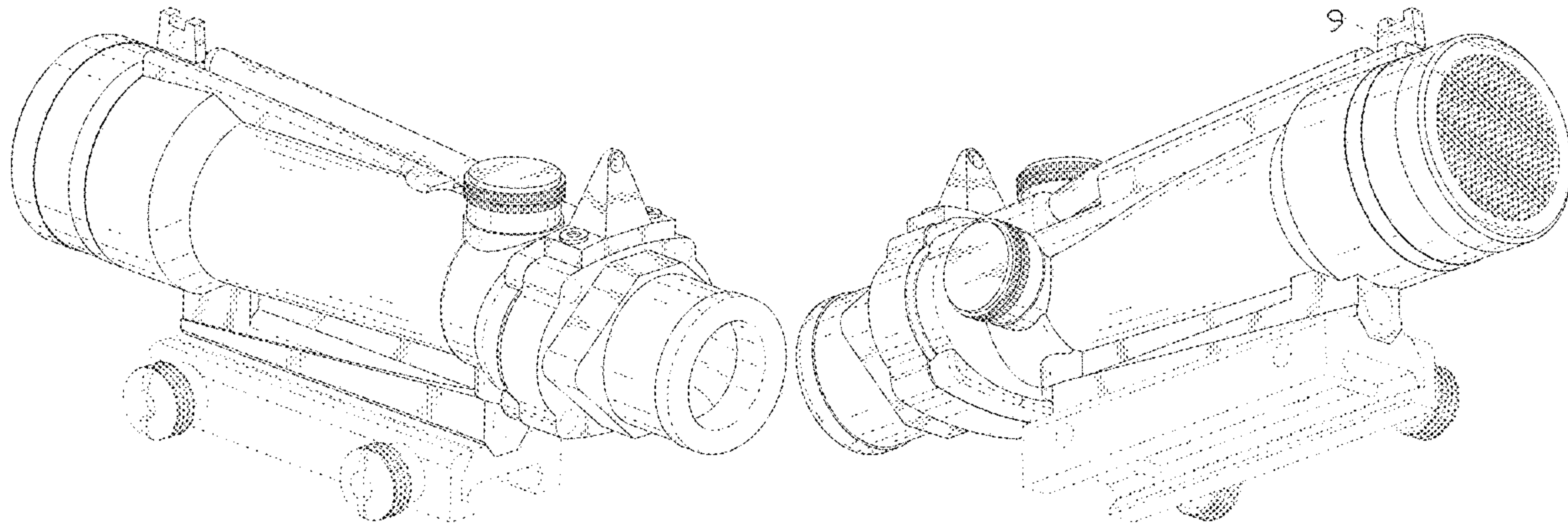


FIG. 1

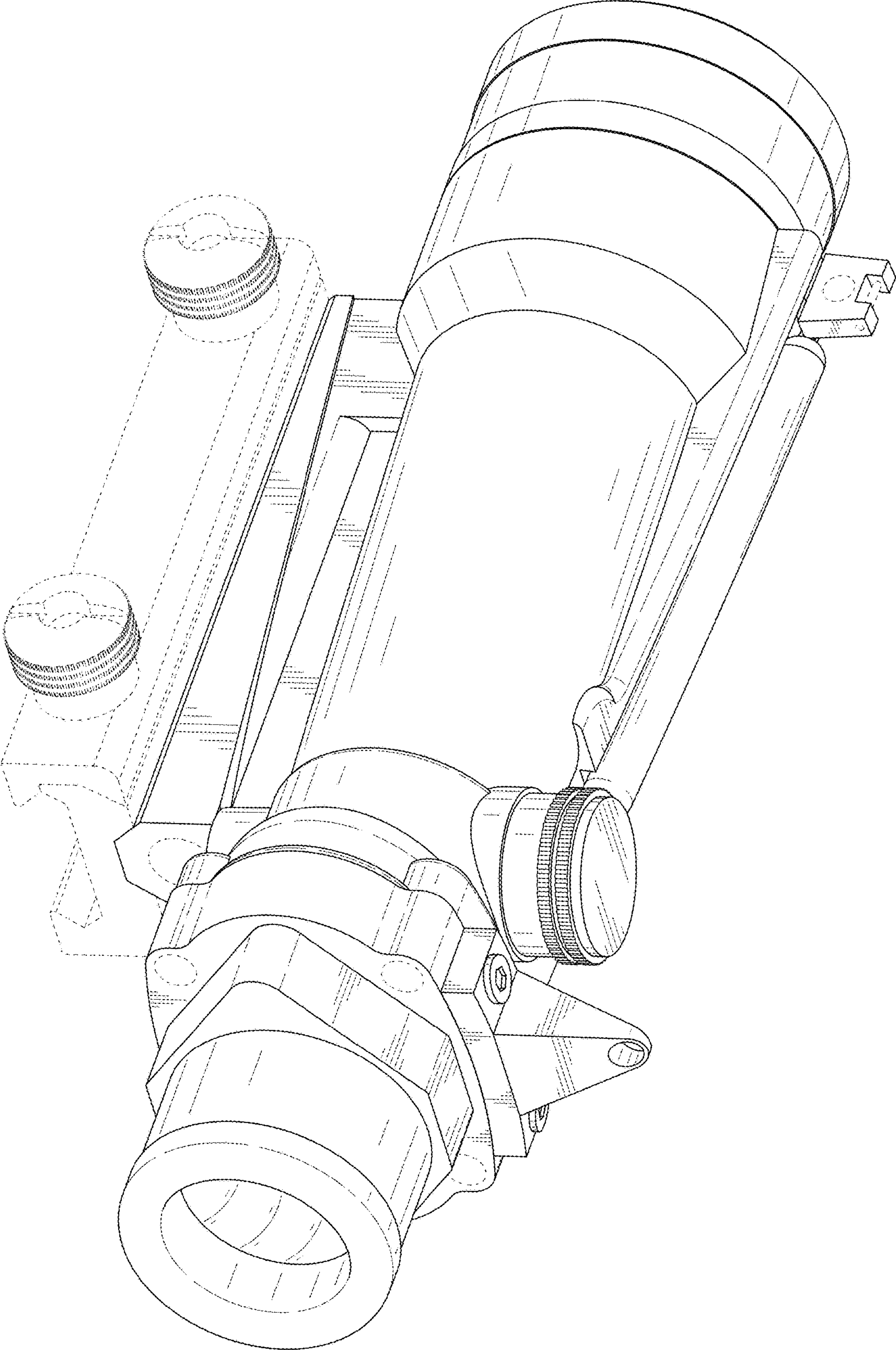
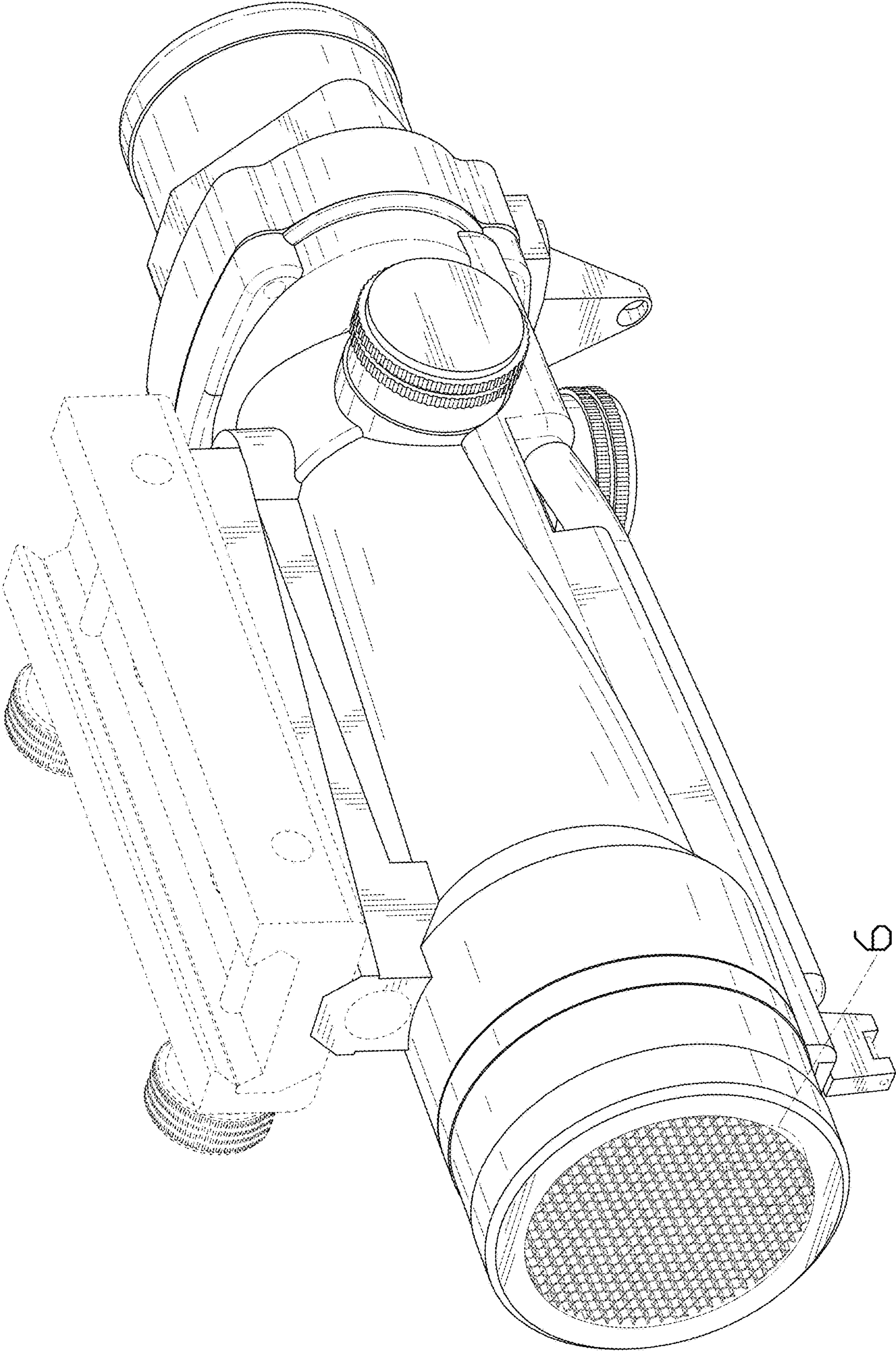




FIG. 2



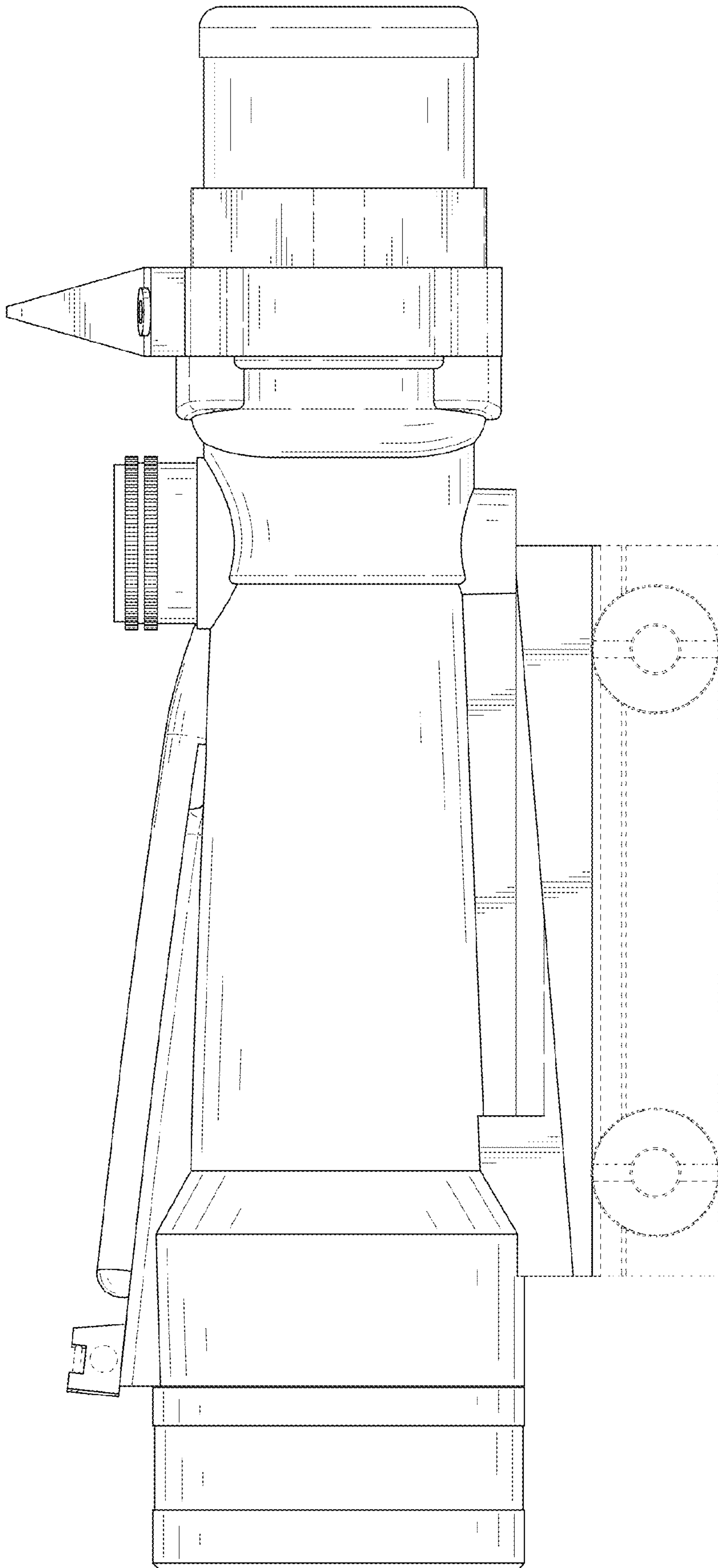


FIG. 3

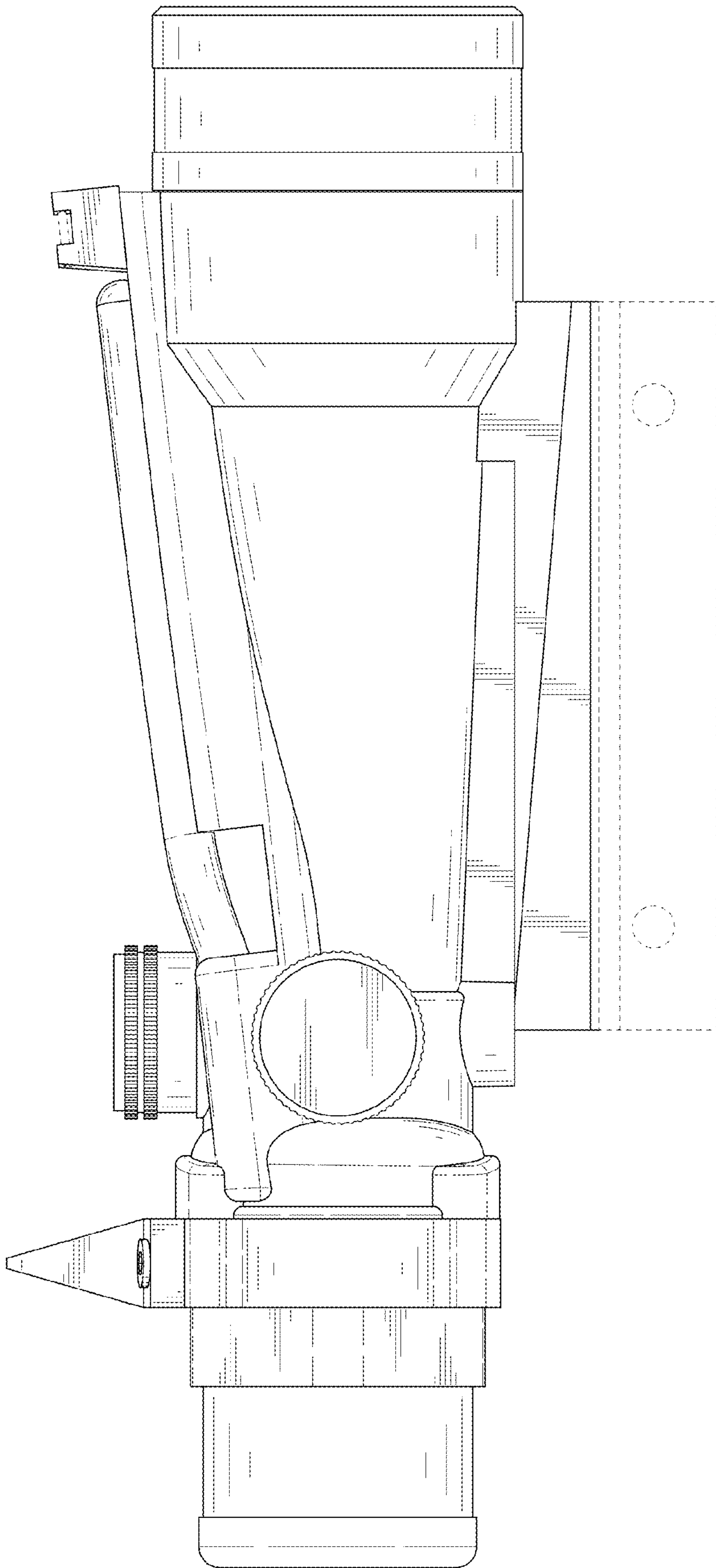


FIG. 4

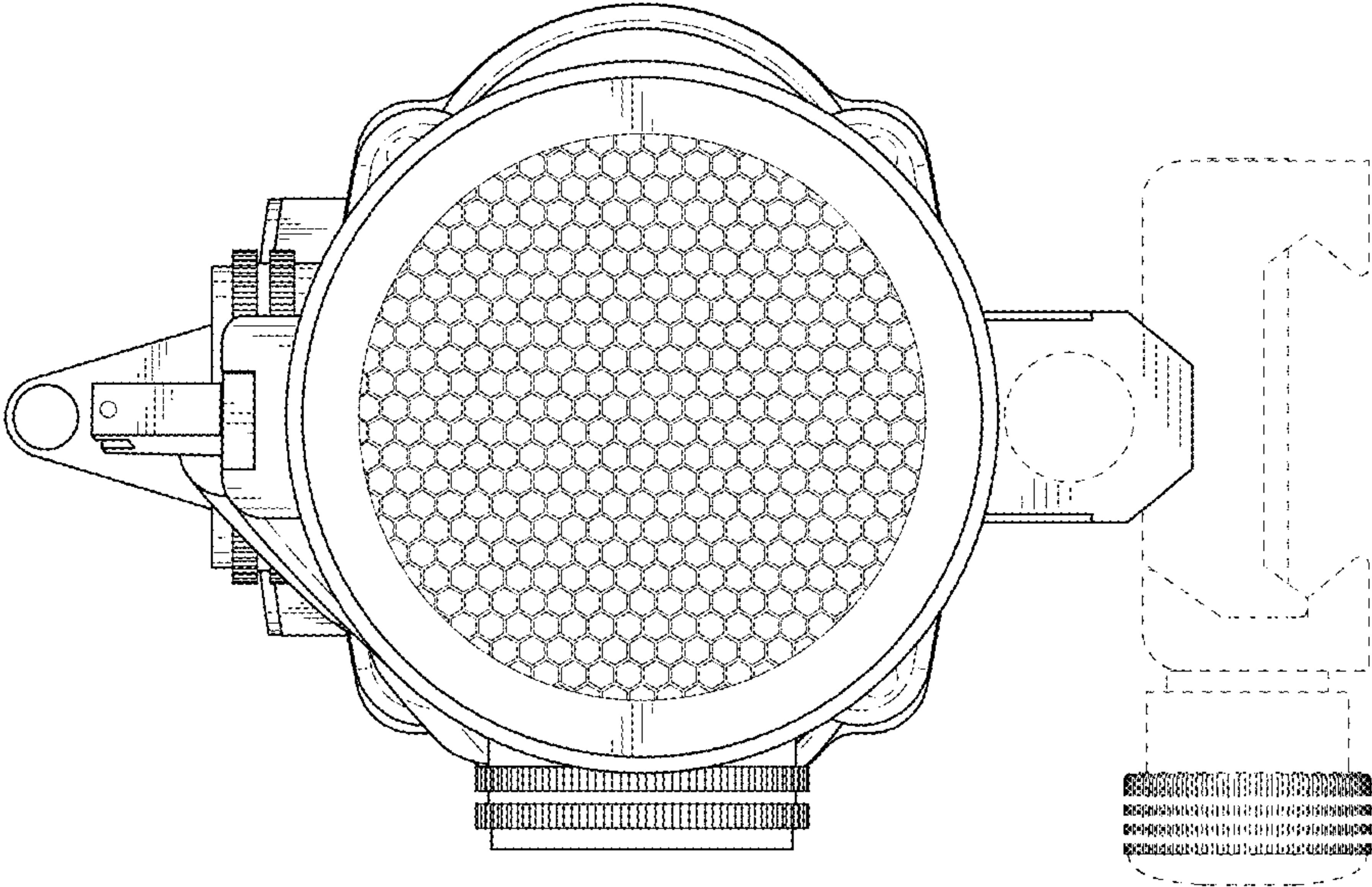


FIG. 5



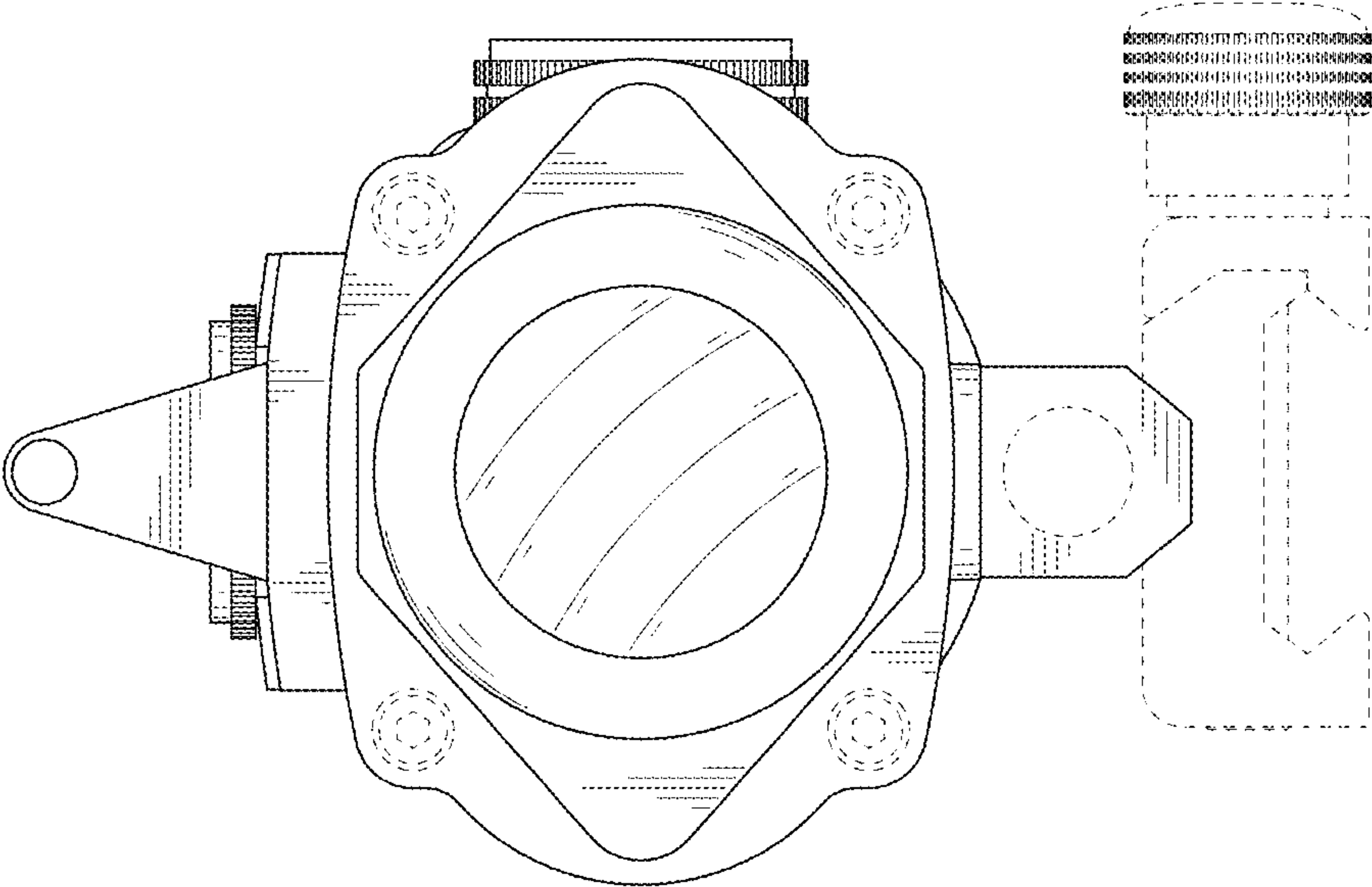


FIG. 6

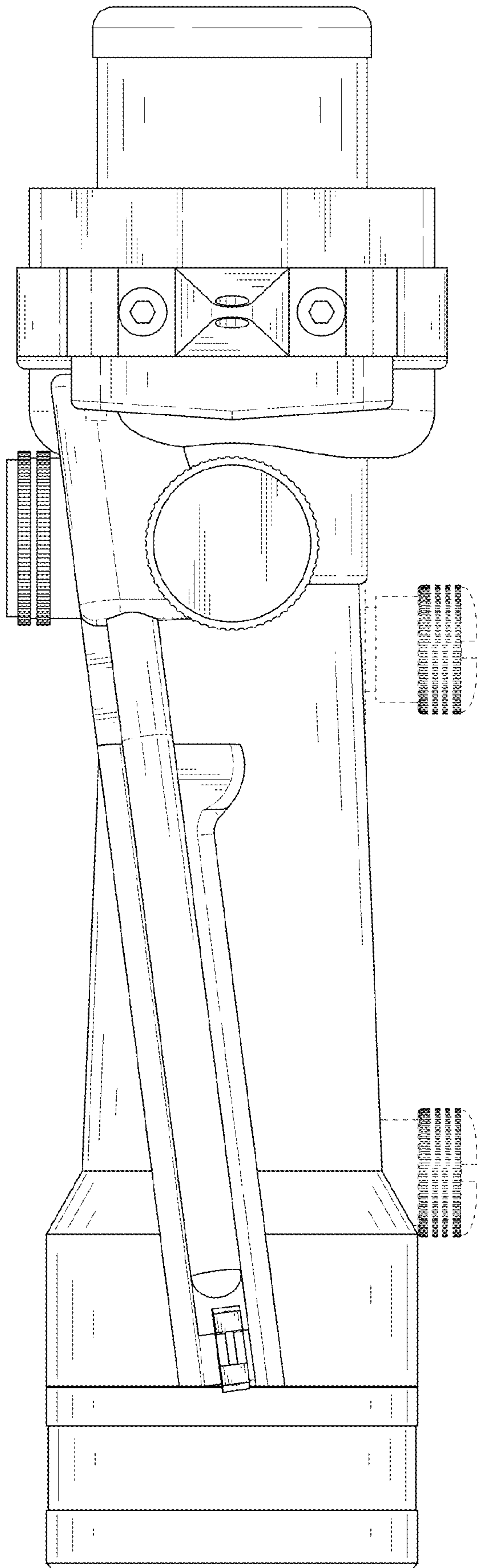


FIG. 7



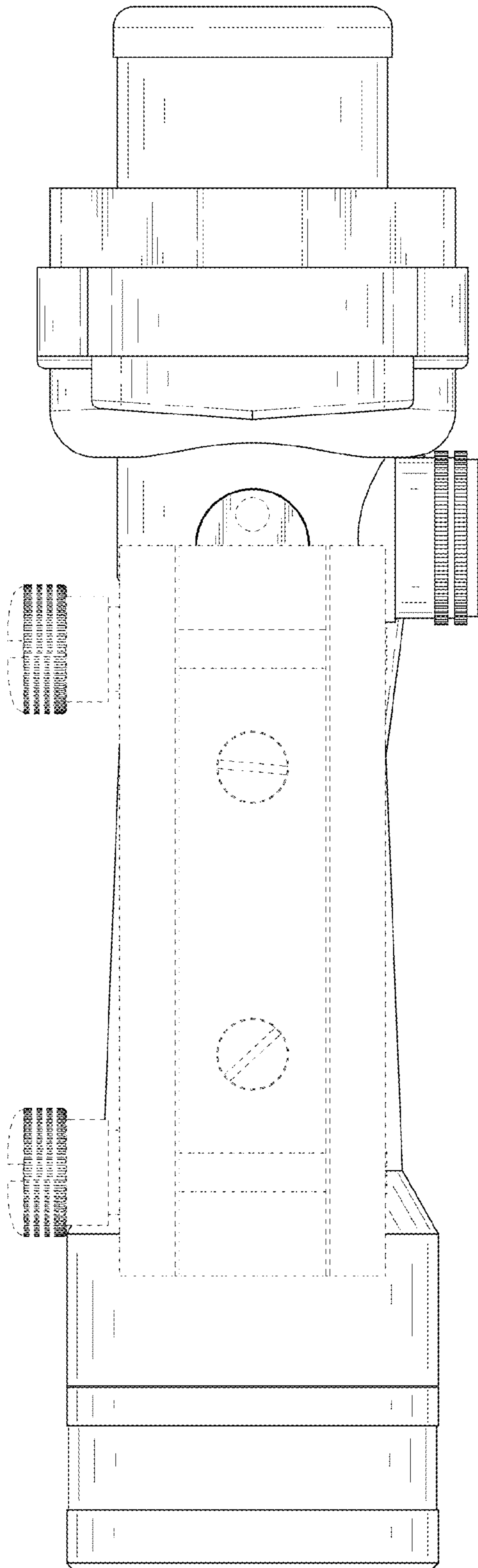


FIG. 8

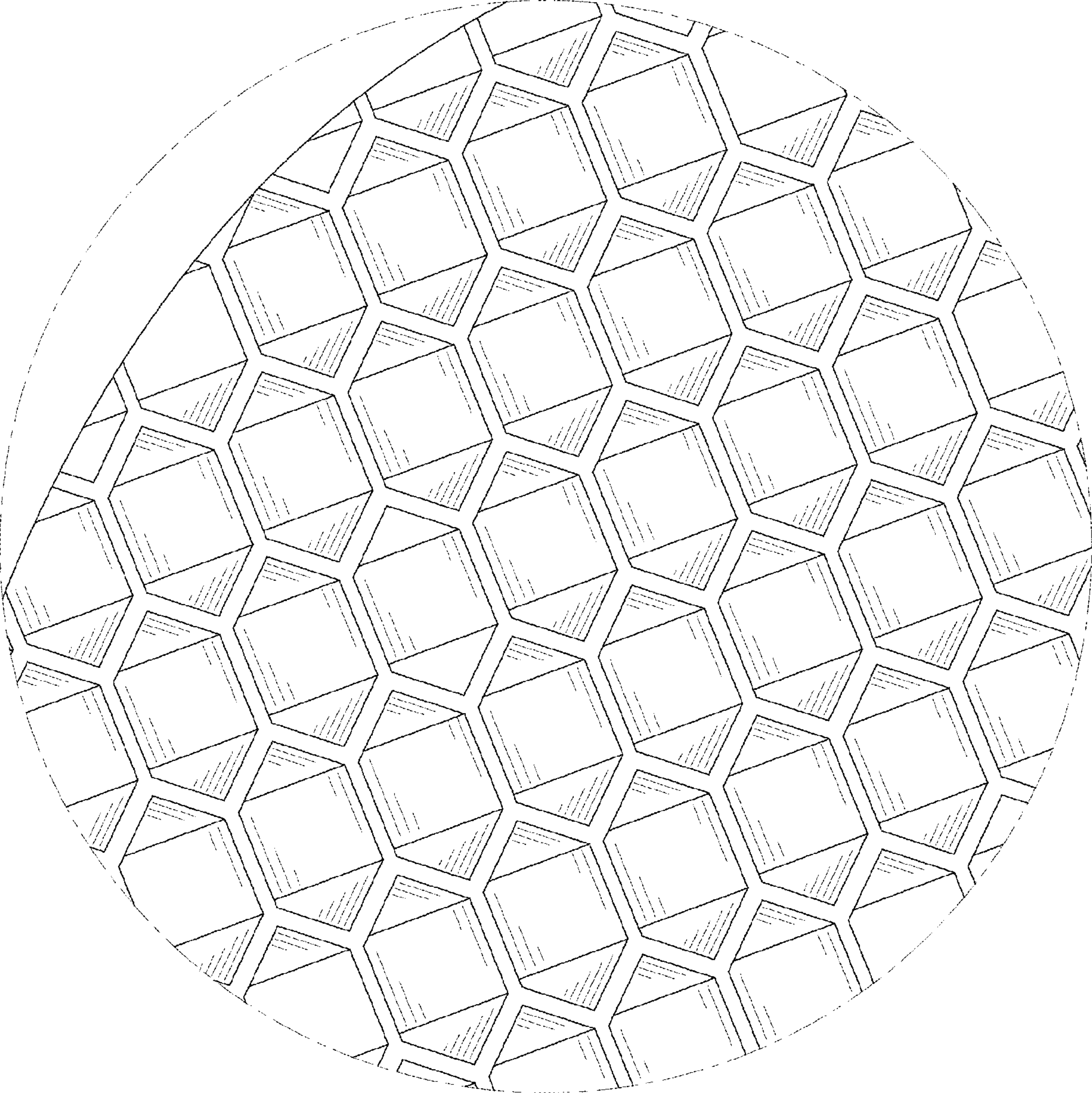


FIG. 9