



US00D954169S

(12) **United States Design Patent**  
**Zimmer**

(10) **Patent No.:** **US D954,169 S**

(45) **Date of Patent:** **\*\* Jun. 7, 2022**

(54) **ACCESSORY MOUNT**

(71) Applicant: **Trent Zimmer**, Houma, LA (US)

(72) Inventor: **Trent Zimmer**, Houma, LA (US)

(\*\*) Term: **15 Years**

(21) Appl. No.: **29/763,731**

(22) Filed: **Dec. 23, 2020**

(51) **LOC (13) Cl.** ..... **22-01**

(52) **U.S. Cl.**  
USPC ..... **D22/109**

(58) **Field of Classification Search**  
USPC ..... D22/100, 103, 108, 109, 110, 199;  
D16/130

CPC . F41G 11/003; F41G 1/14; F41G 1/38; F41G  
1/16; F41G 1/02; F41G 1/06; F41A  
23/005; F41C 23/16

See application file for complete search history.

(56) **References Cited**

**U.S. PATENT DOCUMENTS**

5,606,818	A *	3/1997	Hardee	.....	F41G 11/003 42/127
D600,311	S *	9/2009	Swan	.....	D22/109
D659,221	S *	5/2012	Wu	.....	D22/108
D687,509	S *	8/2013	Iannello	.....	D22/108
D712,000	S *	8/2014	Behling	.....	D22/108
D725,223	S *	3/2015	Heidkamp	.....	D22/109
D768,257	S *	10/2016	Boyd	.....	D22/109
D784,481	S *	4/2017	Ding	.....	D22/110
D784,482	S *	4/2017	Ding	.....	D22/110
D784,483	S *	4/2017	Ding	.....	D22/110
D785,745	S *	5/2017	McKillips	.....	D22/109
D795,380	S *	8/2017	Gibbens	.....	D22/108
9,772,161	B1 *	9/2017	Cheng	.....	F41G 11/004
10,101,126	B2 *	10/2018	Sharron	.....	F41G 11/003

(Continued)

**OTHER PUBLICATIONS**

“Trijicon AC32078 RMR Pistol Mount, 45 Degree Offset Quick Release. Black” [online]. Trijicon. [Date first available Oct. 16,

2017]. Retrieved from the Internet: <<https://www.amazon.com/dp/B076H5WDW6/>>.\*

(Continued)

*Primary Examiner* — Mojtaba Tehrani

(74) *Attorney, Agent, or Firm* — Asgaard Patent Services, LLC; F. Wayne Thompson, Jr.

(57) **CLAIM**

The ornamental design for an accessory mount, as shown and described.

**DESCRIPTION**

FIG. 1 is a top isometric view of an accessory mount, wherein the paddle actuator of the accessory mount is shown in a first position;

FIG. 2 is a bottom isometric view of the accessory mount shown in FIG. 1;

FIG. 3 is a top isometric view of the accessory mount shown in FIG. 1, wherein the paddle actuator of the accessory mount is shown in a second position;

FIG. 4 is a bottom isometric view of the accessory mount shown in FIG. 3;

FIG. 5 is a front side elevational view of the accessory mount shown in FIG. 3;

FIG. 6 is a right side elevational view of the accessory mount shown in FIG. 3;

FIG. 7 is a rear side elevational view of the accessory mount shown in FIG. 3;

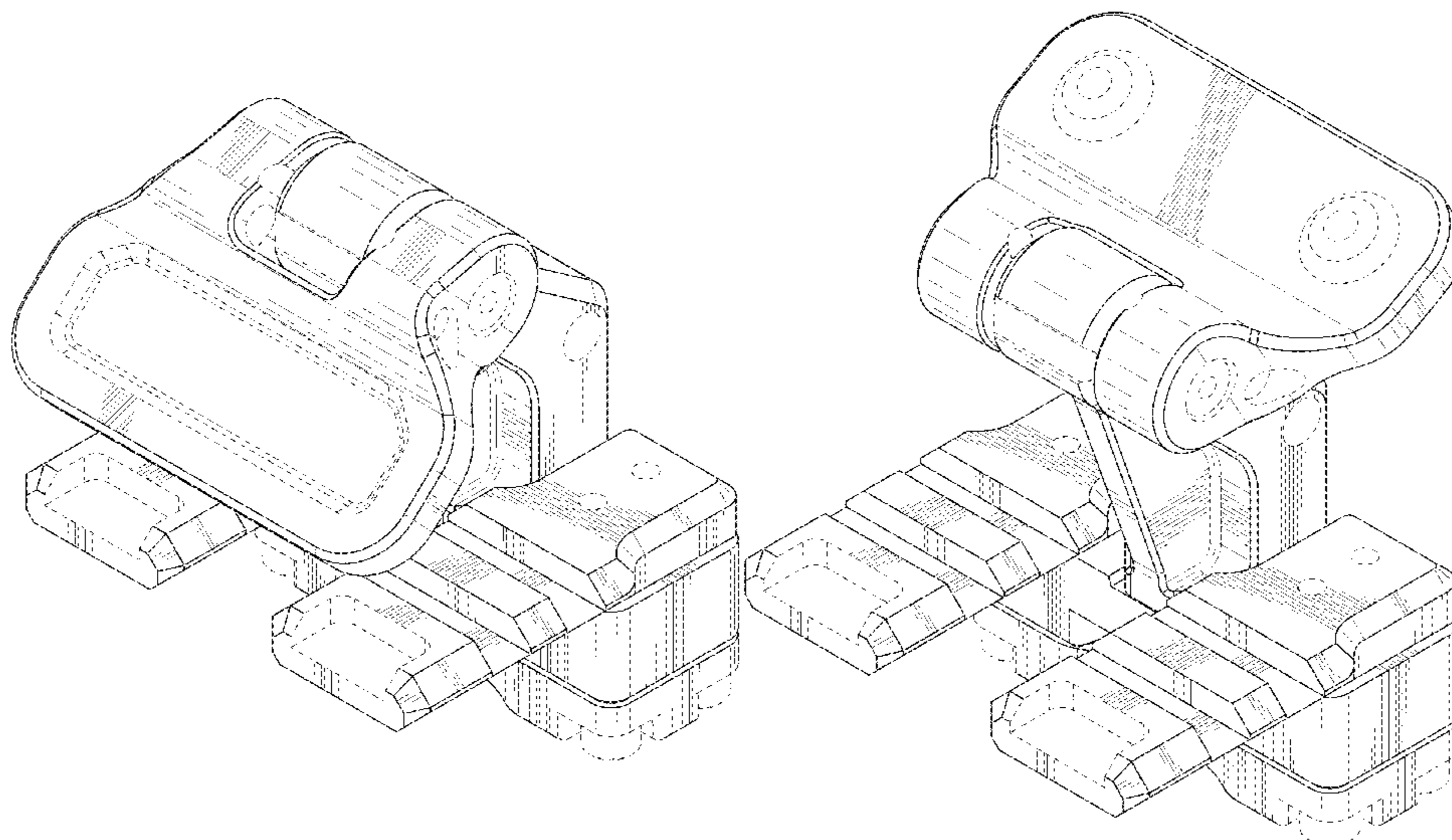
FIG. 8 is a left side elevational view of the accessory mount shown in FIG. 3;

FIG. 9 is a top plan view of the accessory mount shown in FIG. 3; and,

FIG. 10 a bottom plan view of the accessory mount shown in FIG. 3.

The broken lines represent portions of the accessory mount that form no part of the claimed design.

**1 Claim, 10 Drawing Sheets**



(56)

**References Cited**

U.S. PATENT DOCUMENTS

10,240,901 B1 \* 3/2019 Cheng ..... F41A 35/00  
D896,915 S \* 9/2020 Storch ..... D22/110  
11,150,055 B2 \* 10/2021 Gehring ..... A42B 3/04  
11,209,230 B2 \* 12/2021 Kujawski ..... F41G 11/003  
2022/0074700 A1 \* 3/2022 Zimmer ..... F41A 35/00

OTHER PUBLICATIONS

“TRUGLO Offset Picatinny Riser Mount for Scopes or Dot Optics, Black” [online]. TRUGLO. [Date first available Dec. 29, 2016]. Retrieved from the Internet: <<https://www.amazon.com/dp/B01N1X5JZL>>.\*

\* cited by examiner

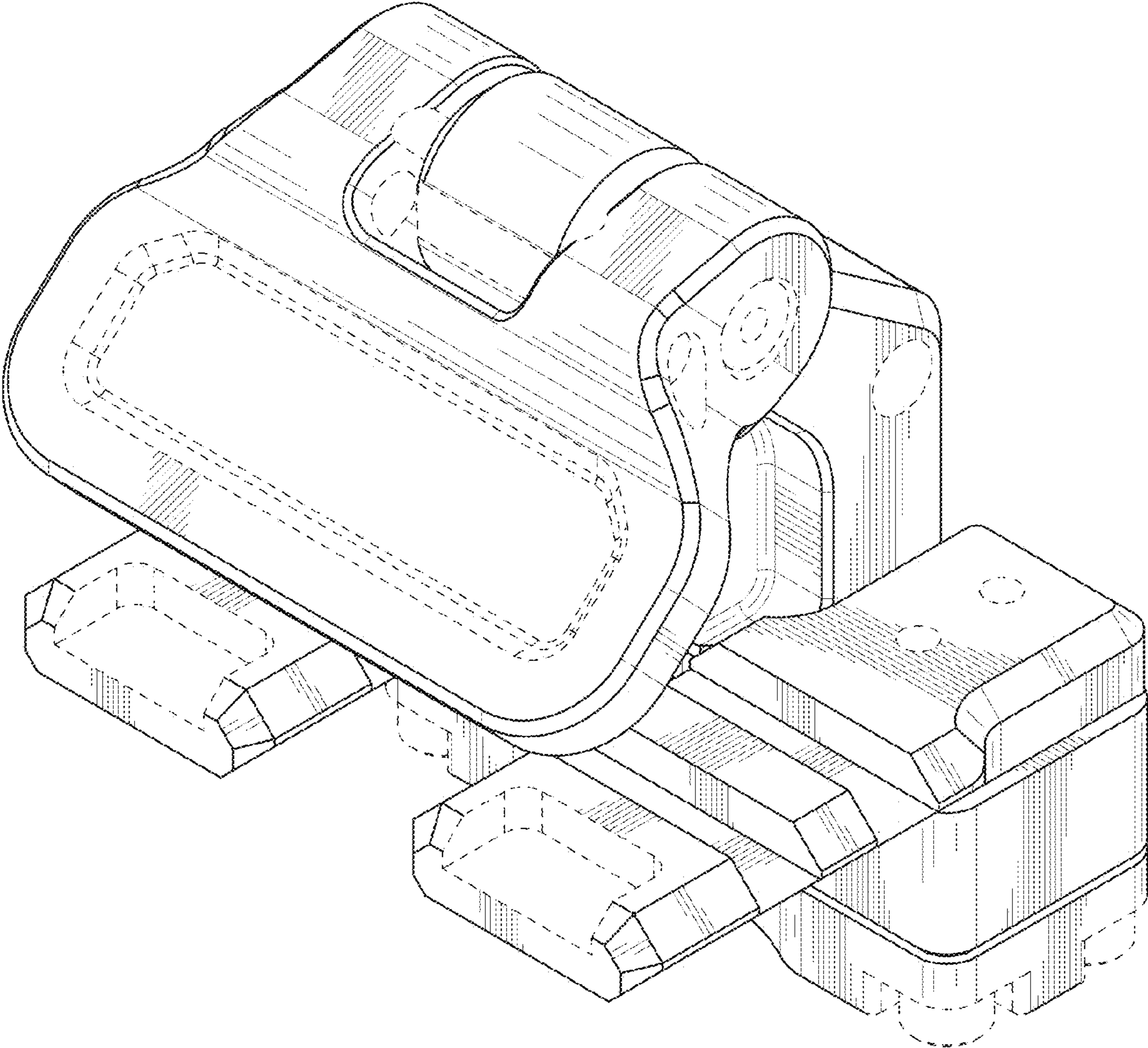


FIG. 1

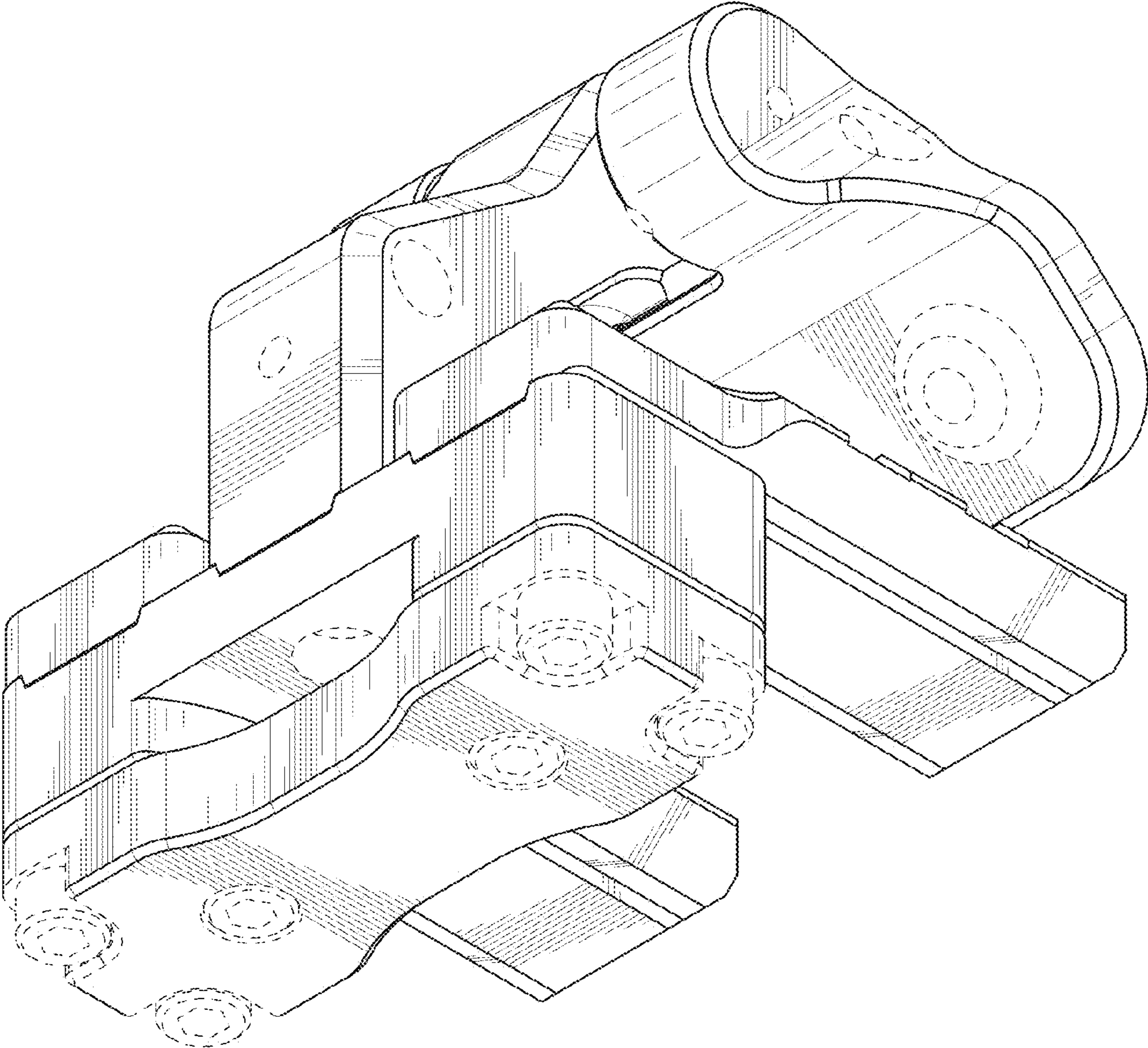


FIG. 2

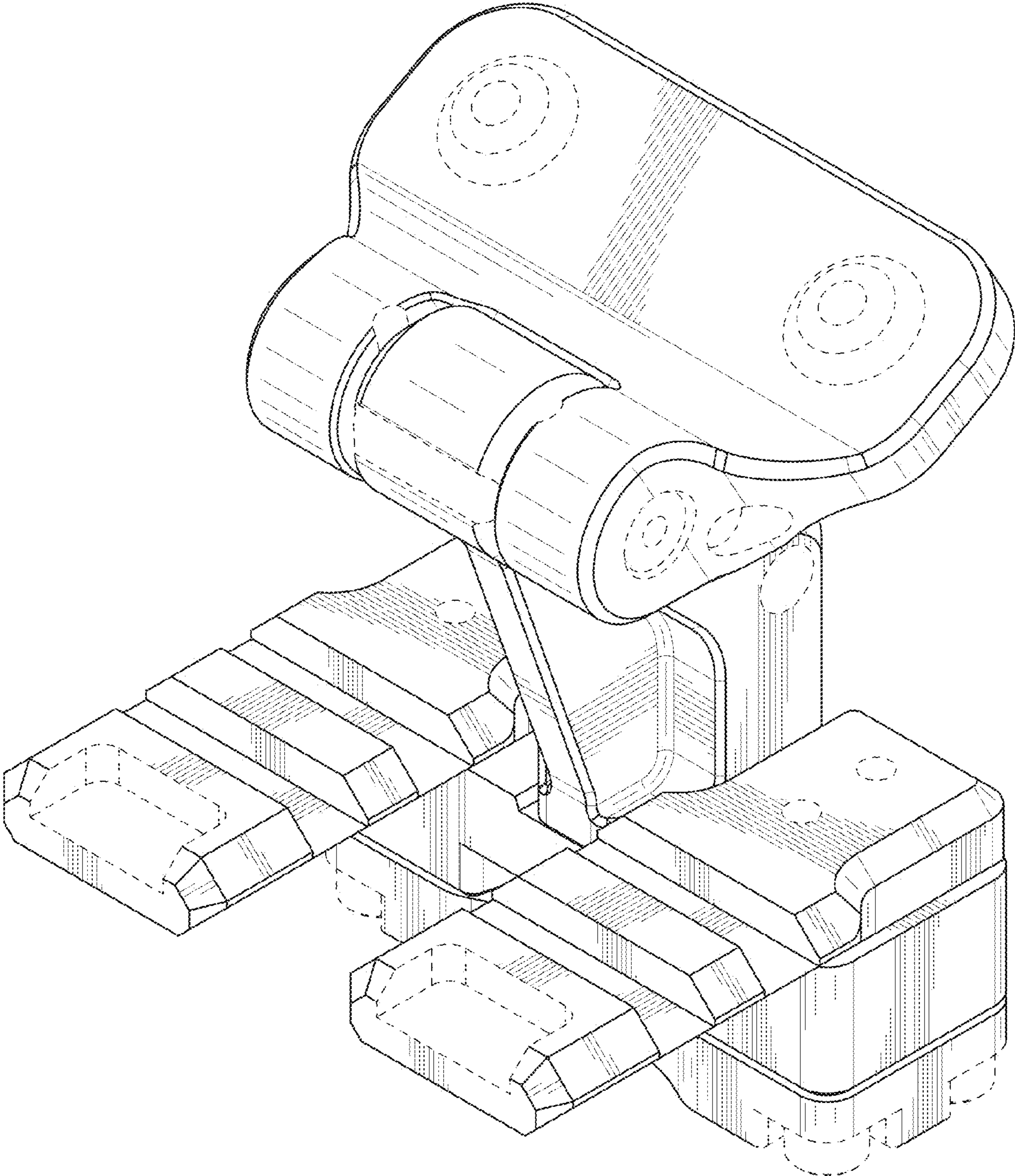


FIG. 3

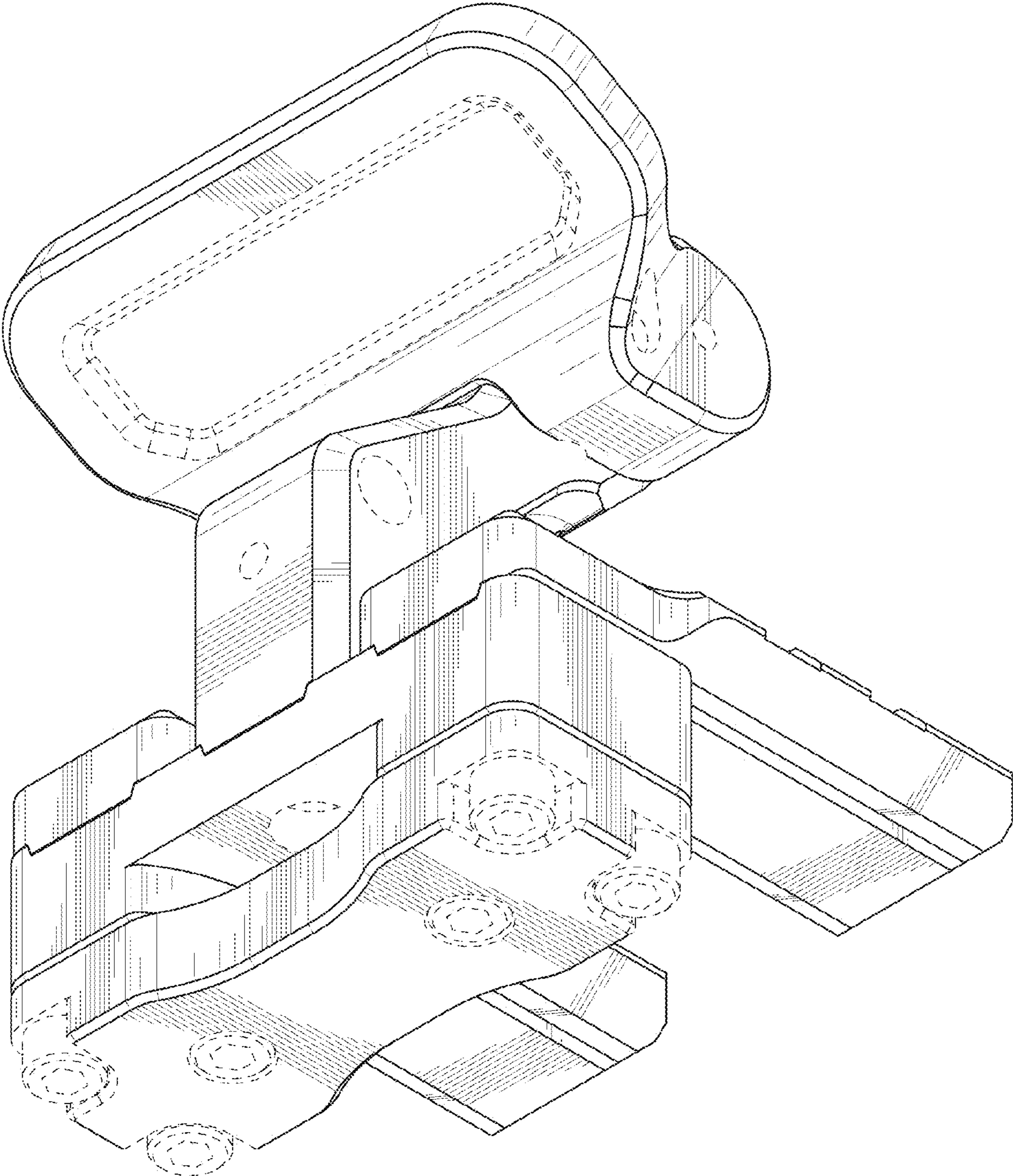


FIG. 4

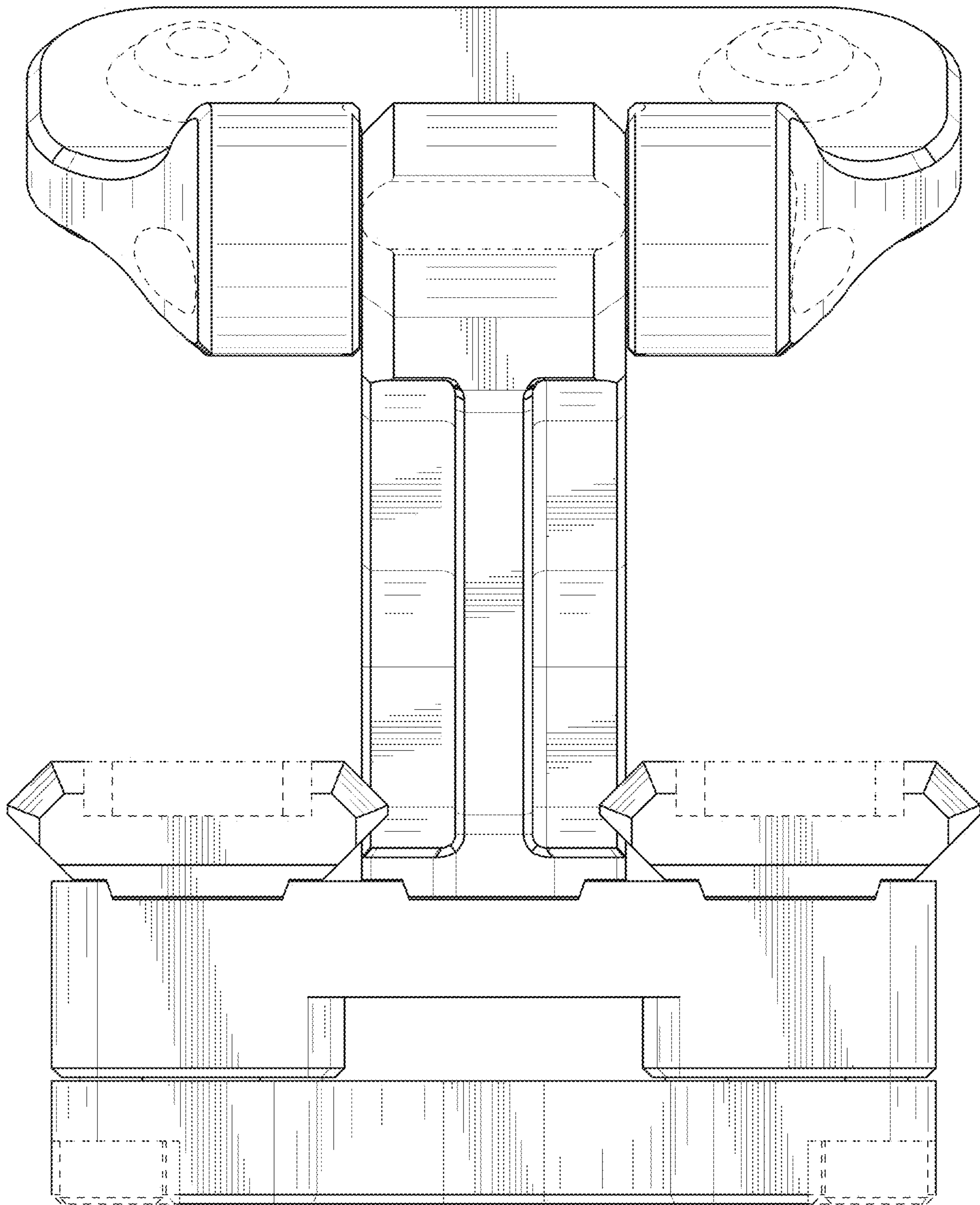


FIG. 5

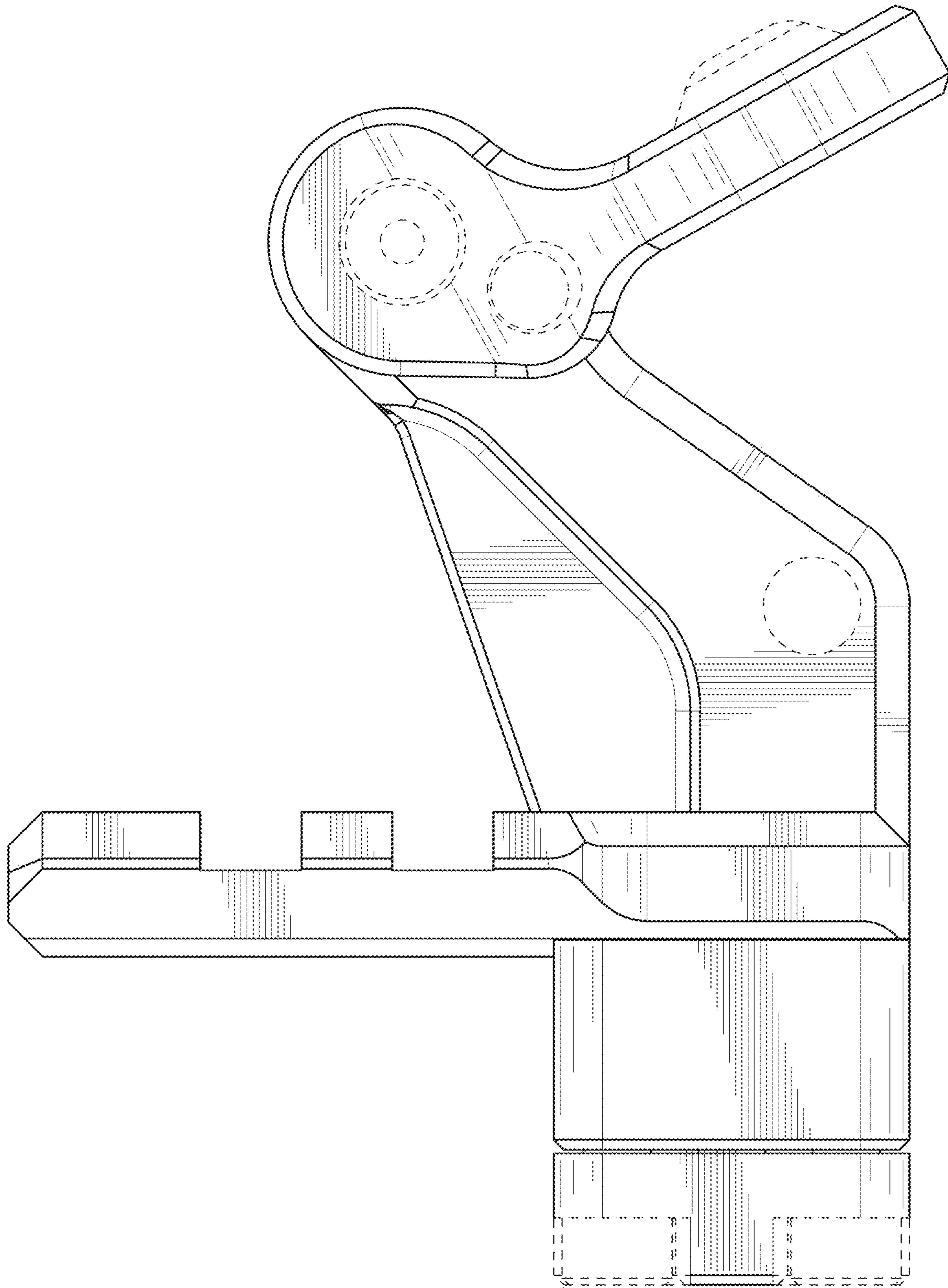


FIG. 6



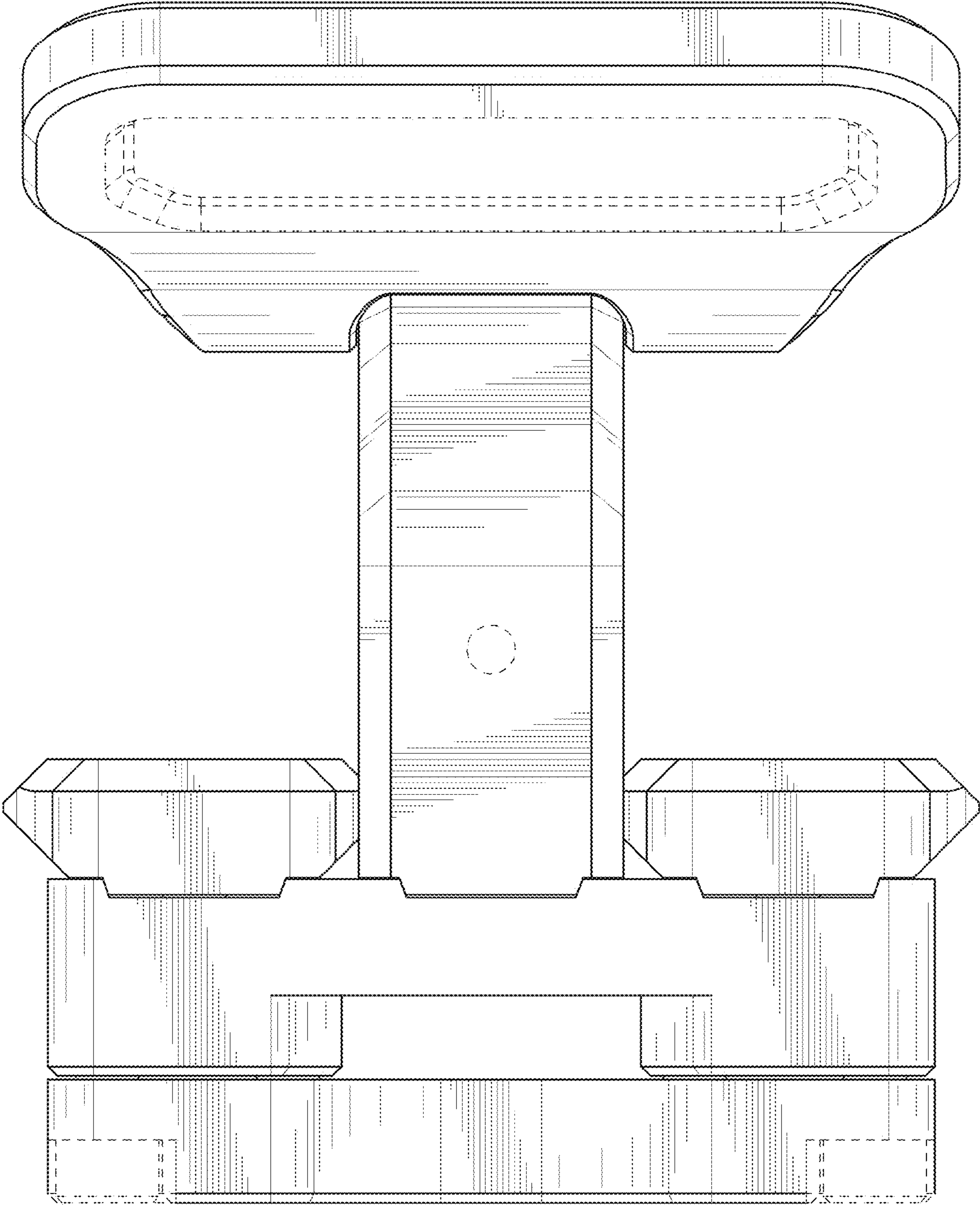


FIG. 7

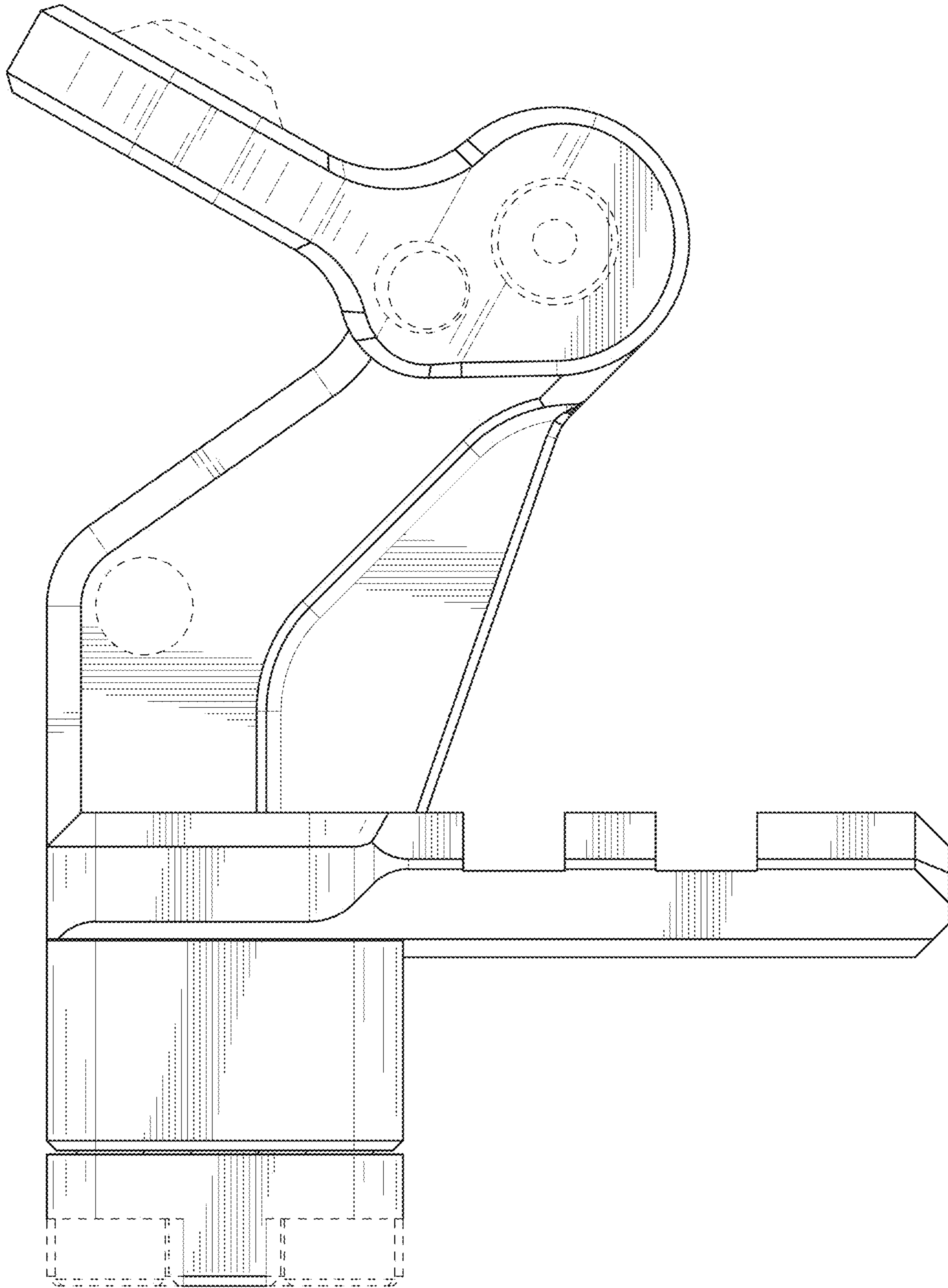


FIG. 8

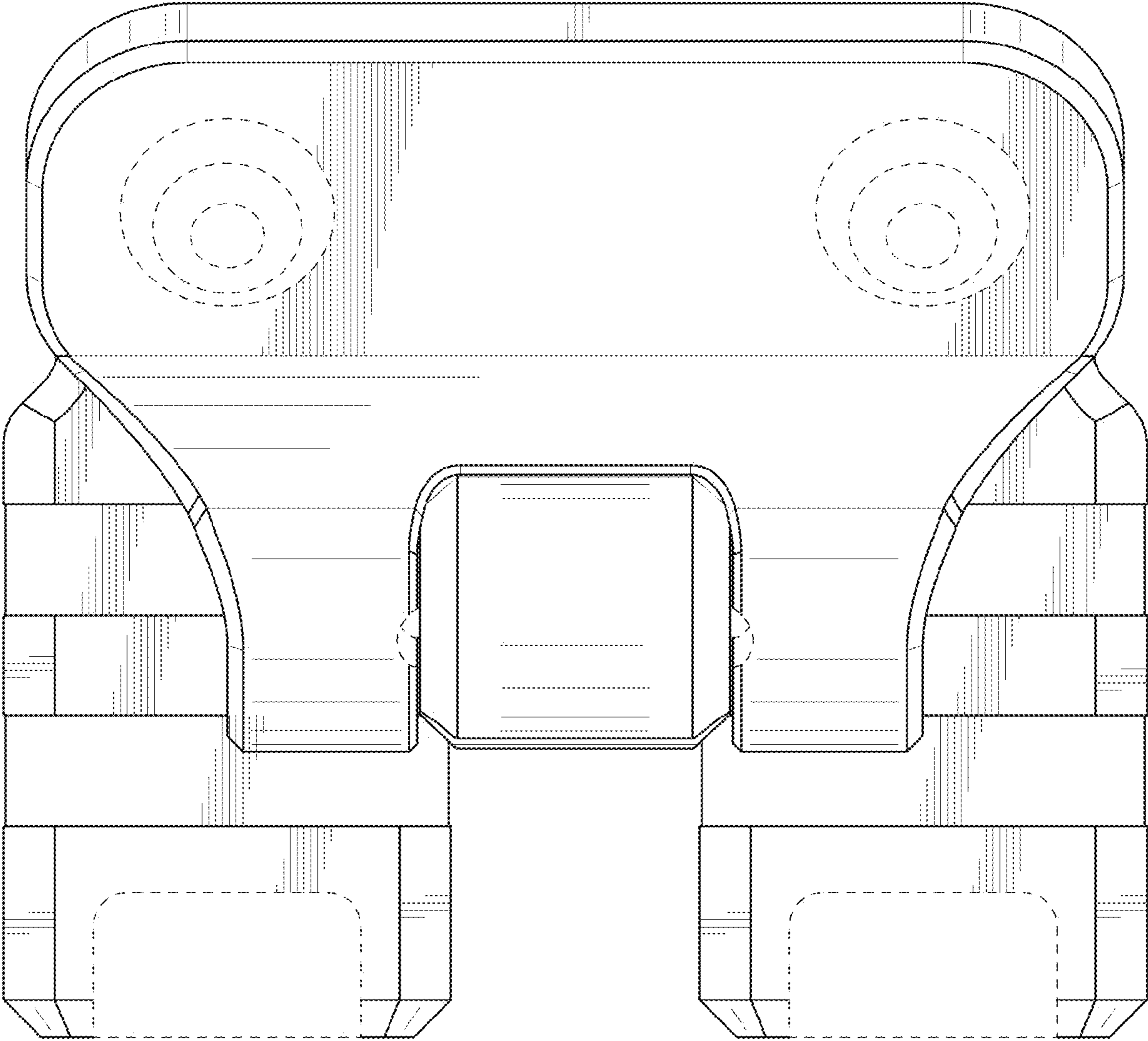


FIG. 9

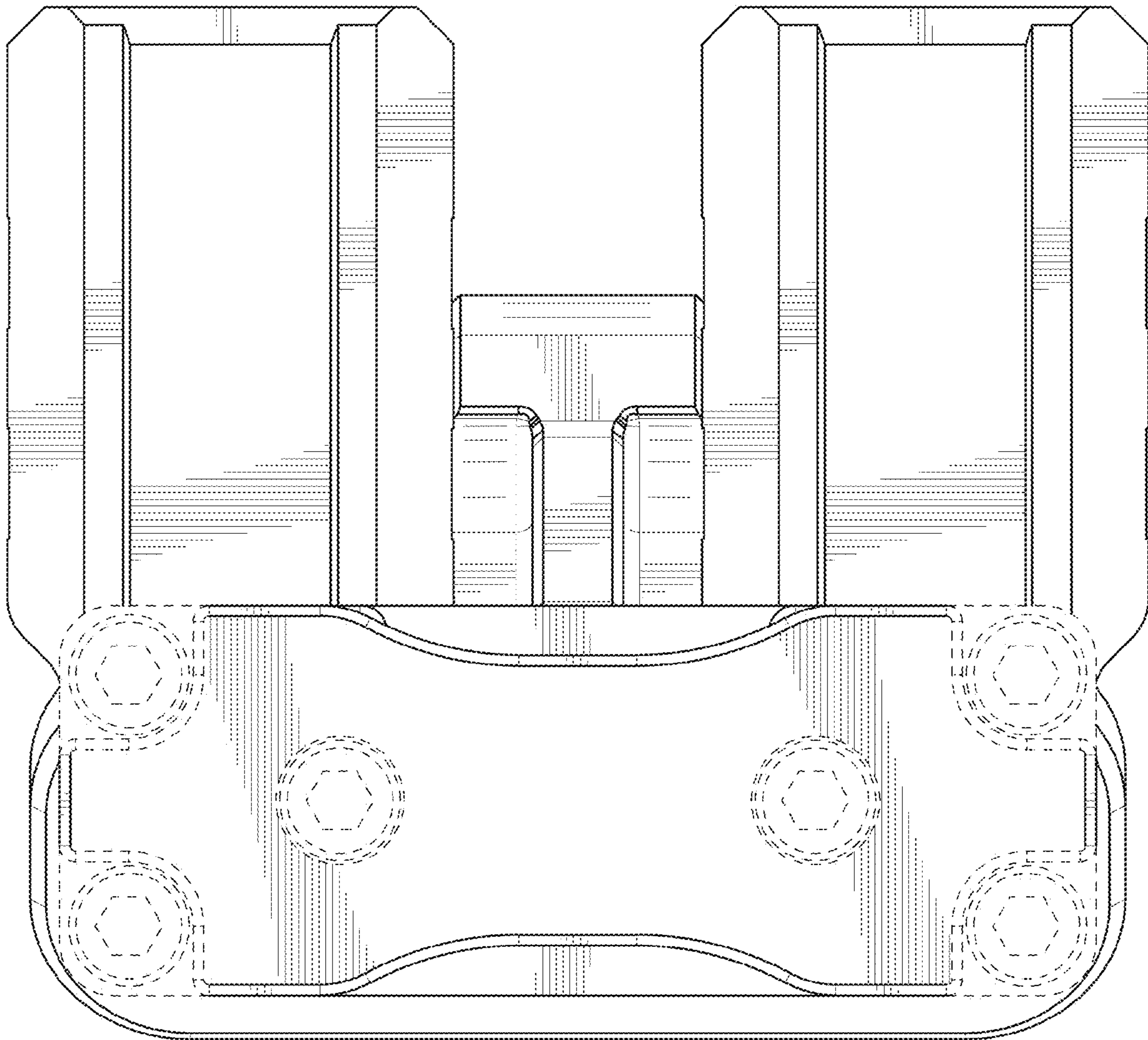


FIG. 10