



US00D954163S

(12) **United States Design Patent**  
**Randolph**

(10) **Patent No.:** **US D954,163 S**  
(45) **Date of Patent:** **\*\* Jun. 7, 2022**

(54) **EXTENSION AND FLEXION MOBILITY DEVICE**

(71) Applicant: **Drew Randolph**, Cookeville, TN (US)

(72) Inventor: **Drew Randolph**, Cookeville, TN (US)

(\*\*) Term: **15 Years**

(21) Appl. No.: **29/775,081**

(22) Filed: **Mar. 21, 2021**

(51) **LOC (13) Cl.** ..... **21-02**

(52) **U.S. Cl.**  
USPC ..... **D21/685**; D21/683

(58) **Field of Classification Search**  
USPC ..... D21/683, 685, 686, 688, 694; 482/51,  
482/79, 80, 93, 105, 106, 117, 129, 146  
CPC ... A63B 23/08; A63B 21/4015; A63B 23/085;  
A63B 23/10; A63B 21/065; A63B  
23/03508; A63B 21/0004; A63B  
2022/185; A63B 21/4034; A63B 21/4011;  
A63B 21/4013

See application file for complete search history.

(56) **References Cited**

**U.S. PATENT DOCUMENTS**

2,214,052	A *	9/1940	Good	.....	A63B 21/4015	482/79
D264,736	S *	6/1982	Wolf	.....	D21/683	
4,371,161	A *	2/1983	Williams	.....	A63B 21/0552	482/79
4,647,035	A	3/1987	Yellen			
4,951,938	A *	8/1990	Smith, IV	.....	A63B 23/085	482/80
D323,367	S *	1/1992	Smith, IV	.....	D6/348	
5,135,450	A *	8/1992	Smith, IV	.....	A63B 22/16	482/80
5,169,364	A *	12/1992	Donaldson	.....	A63B 21/4001	482/148
5,645,516	A	7/1997	Foster			
5,713,820	A *	2/1998	Carbone	.....	A63B 21/4015	482/79

5,722,919	A *	3/1998	Timmer	.....	A63B 23/08	482/79
D405,135	S *	2/1999	Scott	.....	D21/688	
5,891,002	A *	4/1999	Maki	.....	A63B 22/16	482/79
5,935,047	A *	8/1999	Cawley	.....	A63B 21/065	482/79
D420,407	S *	2/2000	Garcia	.....	D21/688	
6,485,399	B2 *	11/2002	Greene	.....	A63B 21/4015	482/106
6,692,417	B2	2/2004	Burrell			
6,878,102	B1 *	4/2005	Commisso	.....	A63B 22/18	482/79

(Continued)

**FOREIGN PATENT DOCUMENTS**

CA 2976560 A1 2/2019

*Primary Examiner* — Ryan Harvey

(74) *Attorney, Agent, or Firm* — Rockridge Venture Law;  
Kevin Christopher; Andrew Lerner

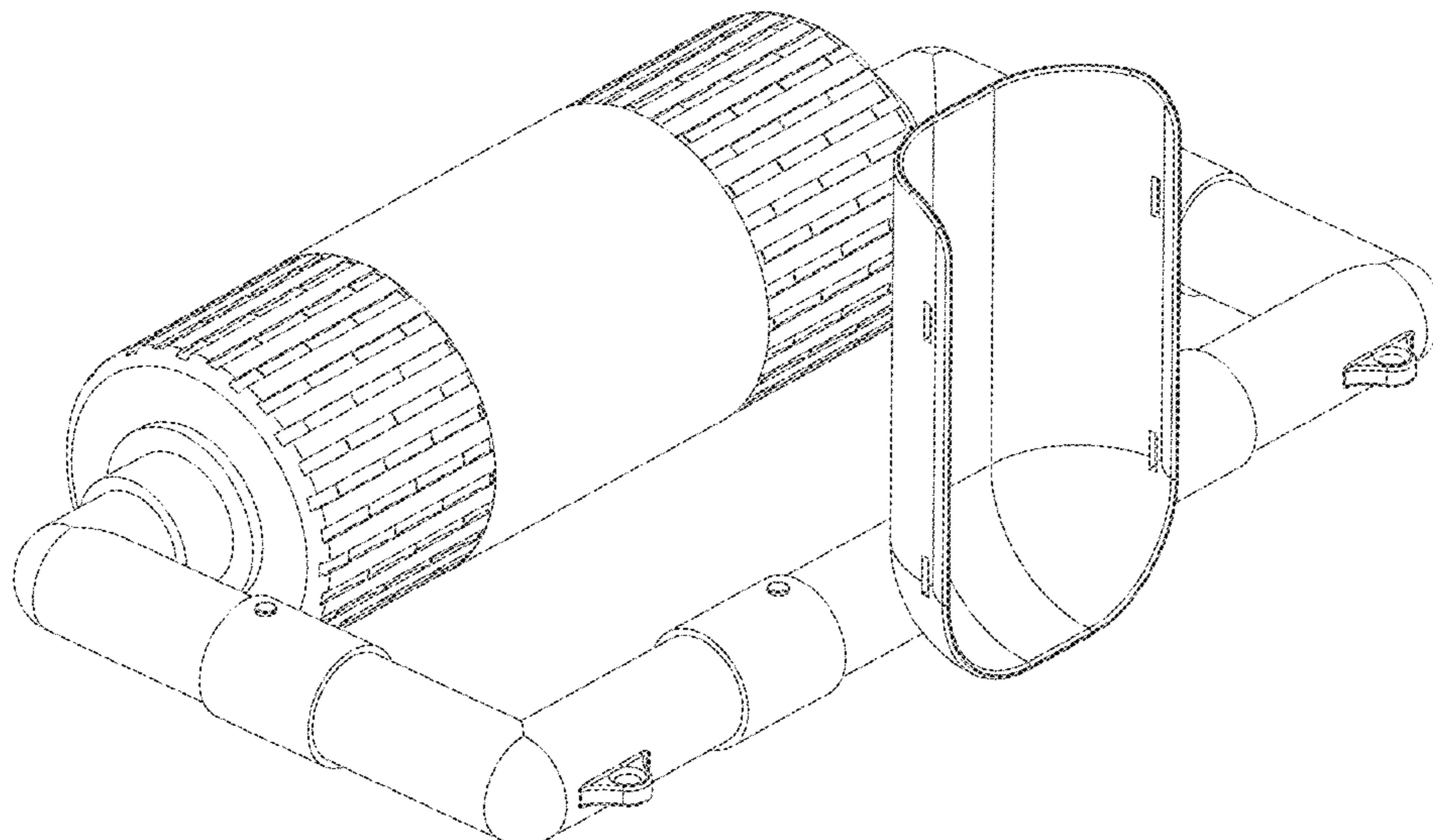
(57) **CLAIM**

The ornamental design for an extension and flexion mobility device, as shown and described.

**DESCRIPTION**

FIG. 1 is a left-side front perspective view of my mobility device in its flexion configuration;  
FIG. 2 is a left-side rear perspective view thereof;  
FIG. 3 is a left side elevational view thereof;  
FIG. 4 is a front elevational view thereof;  
FIG. 5 is a top plan view thereof;  
FIG. 6 is a rear perspective view of my mobility device in its extension configuration;  
FIG. 7 is front perspective view thereof;  
FIG. 8 is a right-side elevational view thereof;  
FIG. 9 is a rear elevational view thereof; and,  
FIG. 10 is a top plan view thereof.

**1 Claim, 10 Drawing Sheets**



(56)

References Cited

U.S. PATENT DOCUMENTS

6,923,751 B2 *	8/2005	Oxford	.....	A63B 21/0004	482/79	2004/0259704 A1 *	12/2004	Liang	.....	A63B 22/16	482/146
D622,789 S *	8/2010	Gillis	.....	D21/685		2005/0137065 A1 *	6/2005	Zoller	.....	A63B 23/08	482/79
D627,892 S *	11/2010	Terrio	.....	D24/188		2007/0275833 A1 *	11/2007	Ramsey	.....	A63B 23/085	482/79
D631,107 S *	1/2011	Gillis	.....	D21/685		2010/0035734 A1 *	2/2010	DiGiovanni	.....	A63B 23/085	482/79
8,430,796 B1 *	4/2013	Tarkington	.....	A63B 21/00189	482/52	2010/0274163 A1 *	10/2010	Terrio	.....	A61H 1/0266	601/27
9,162,106 B1 *	10/2015	Scheiman	.....	A63B 21/0552		2010/0317495 A1 *	12/2010	DiGiovanni	.....	A63B 21/151	482/129
D776,211 S *	1/2017	Gebhard	.....	D21/685		2012/0028766 A1 *	2/2012	Zeek	.....	A63C 17/262	482/105
9,666,470 B2	5/2017	Thallner et al.				2012/0225757 A1 *	9/2012	Kosich	.....	A63B 21/065	482/105
9,775,764 B1	10/2017	Rill				2018/0099174 A1 *	4/2018	Biggs	.....	A43C 19/00	
9,868,014 B1 *	1/2018	Lake	.....	A63B 21/0726		2019/0142679 A1 *	5/2019	Kramer	.....	A63B 69/0062	601/34
D887,504 S *	6/2020	Mathew	.....	D21/685							
10,881,895 B2 *	1/2021	Gubera	.....	A63B 21/4015							
2002/0119872 A1 *	8/2002	Greenheck	.....	A63B 21/4015	482/106						
2004/0110604 A1 *	6/2004	Chen Wu	.....	A63B 22/16	482/79						

\* cited by examiner

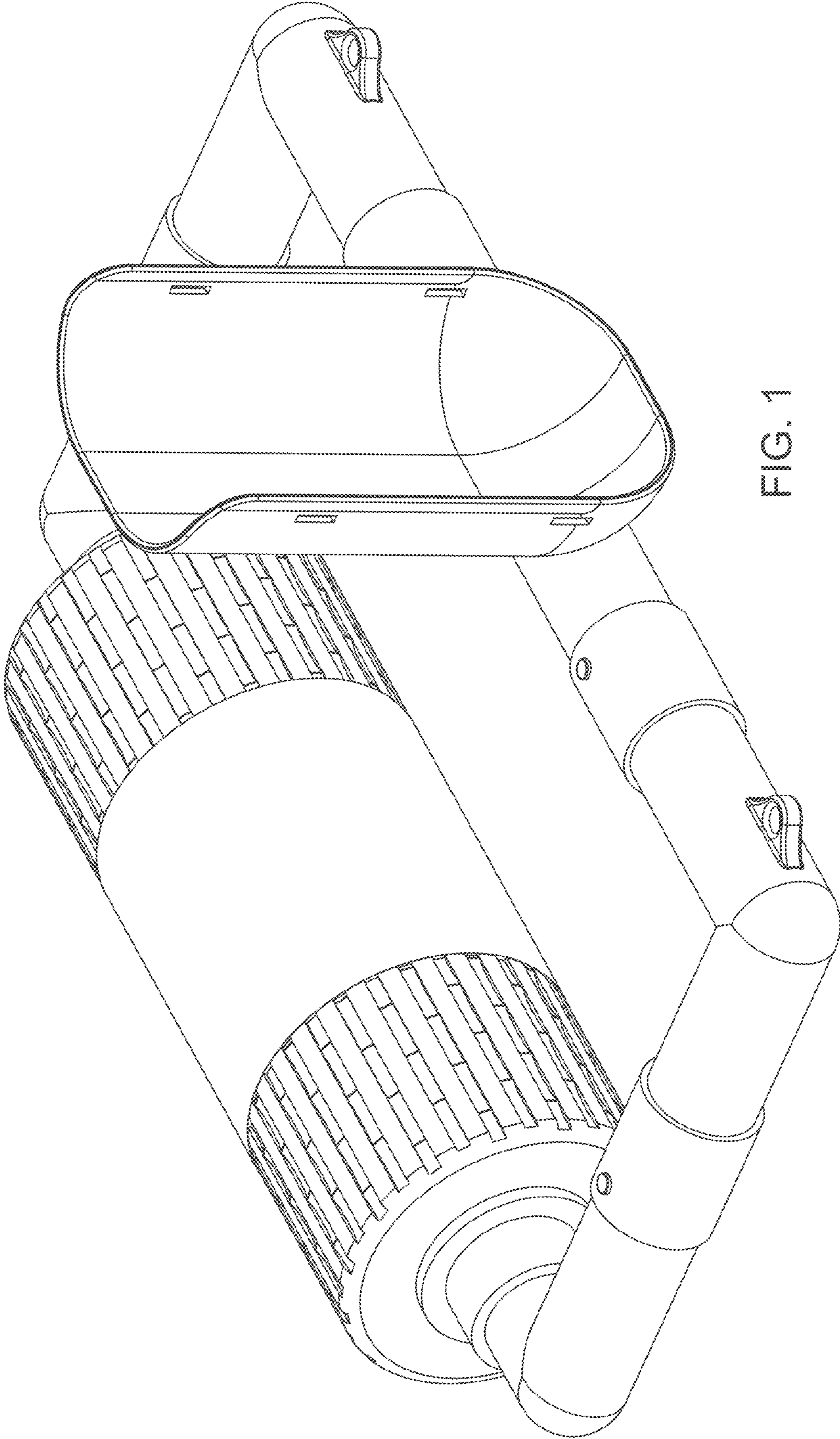


FIG. 1

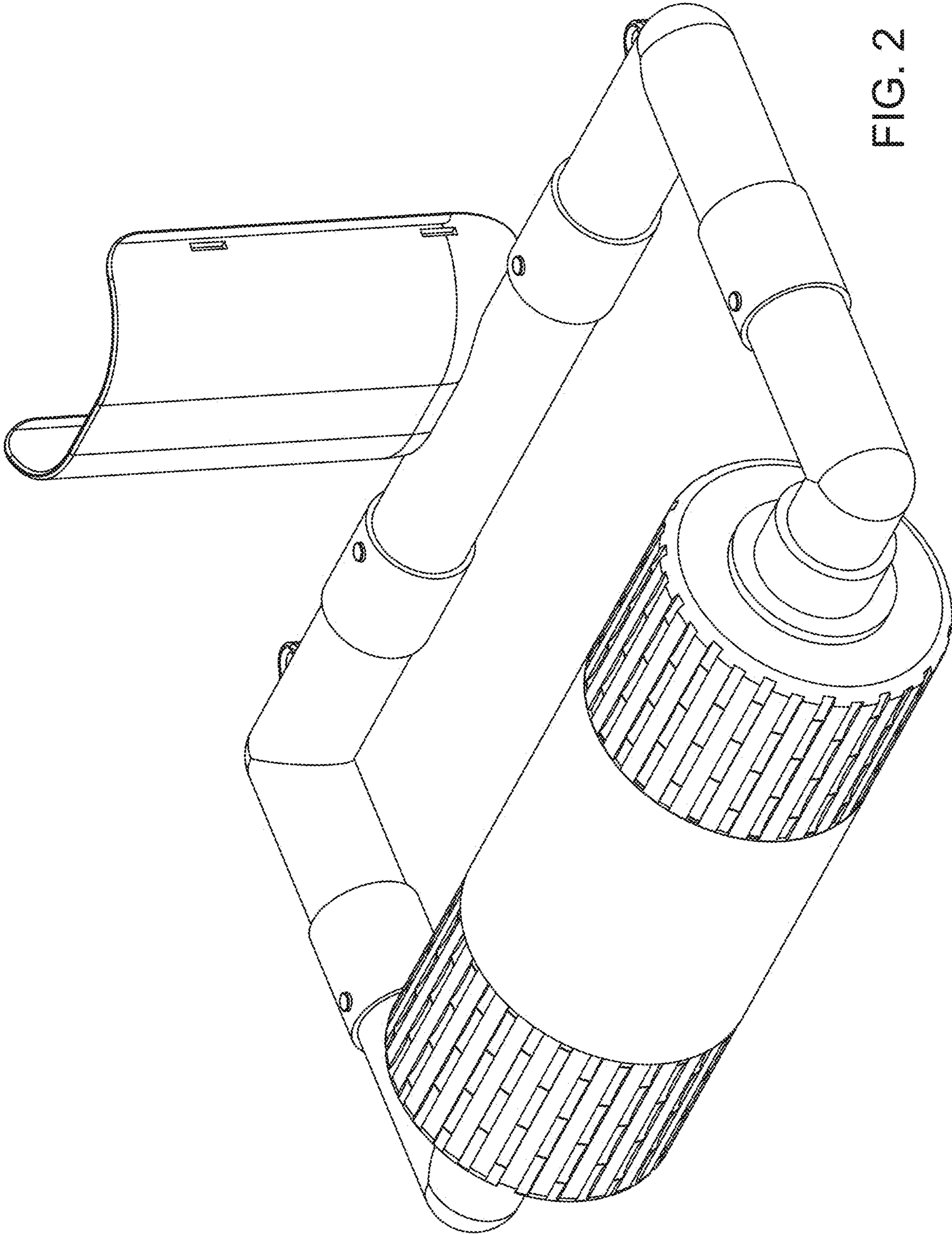


FIG. 2

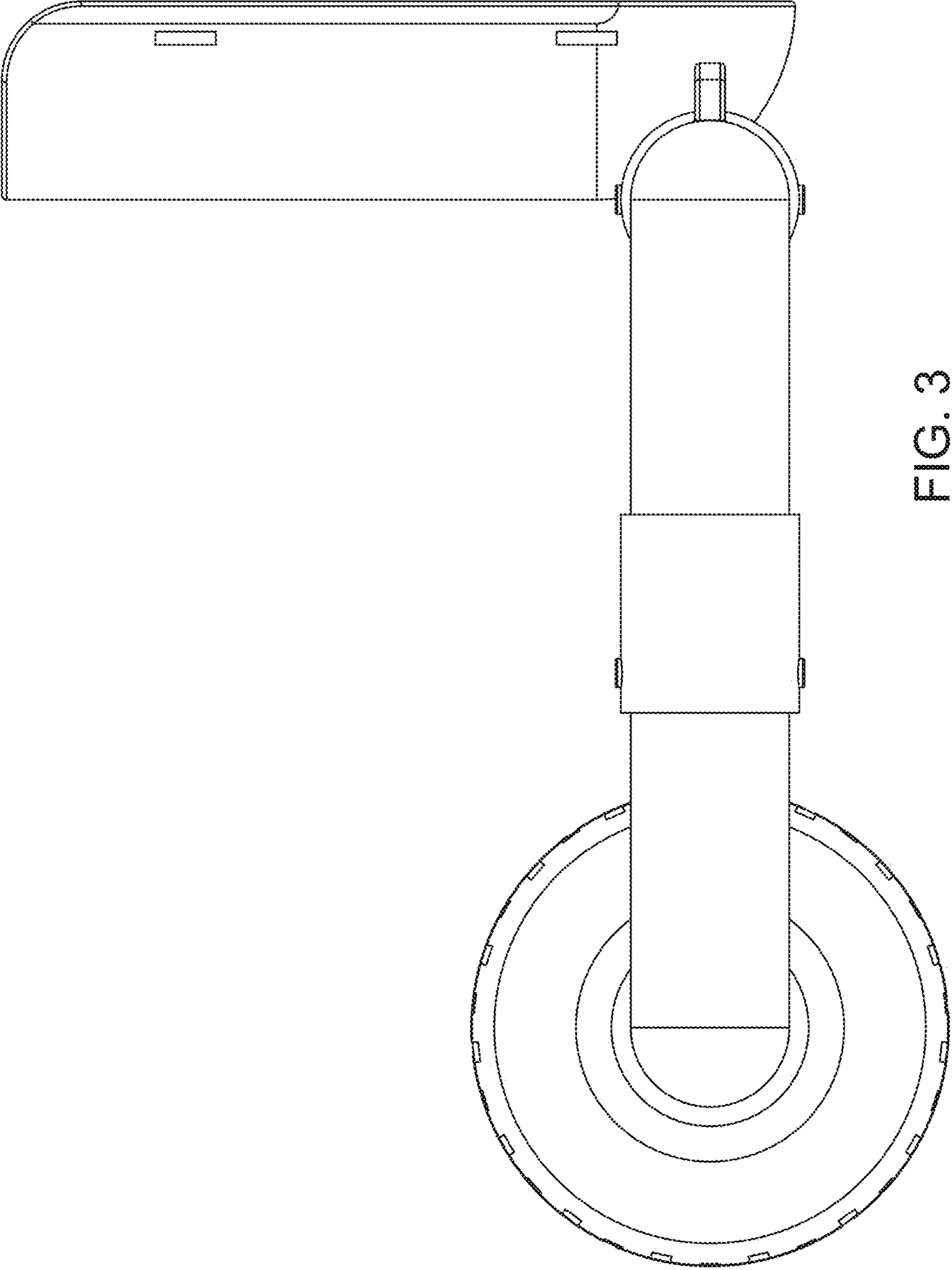


FIG. 3

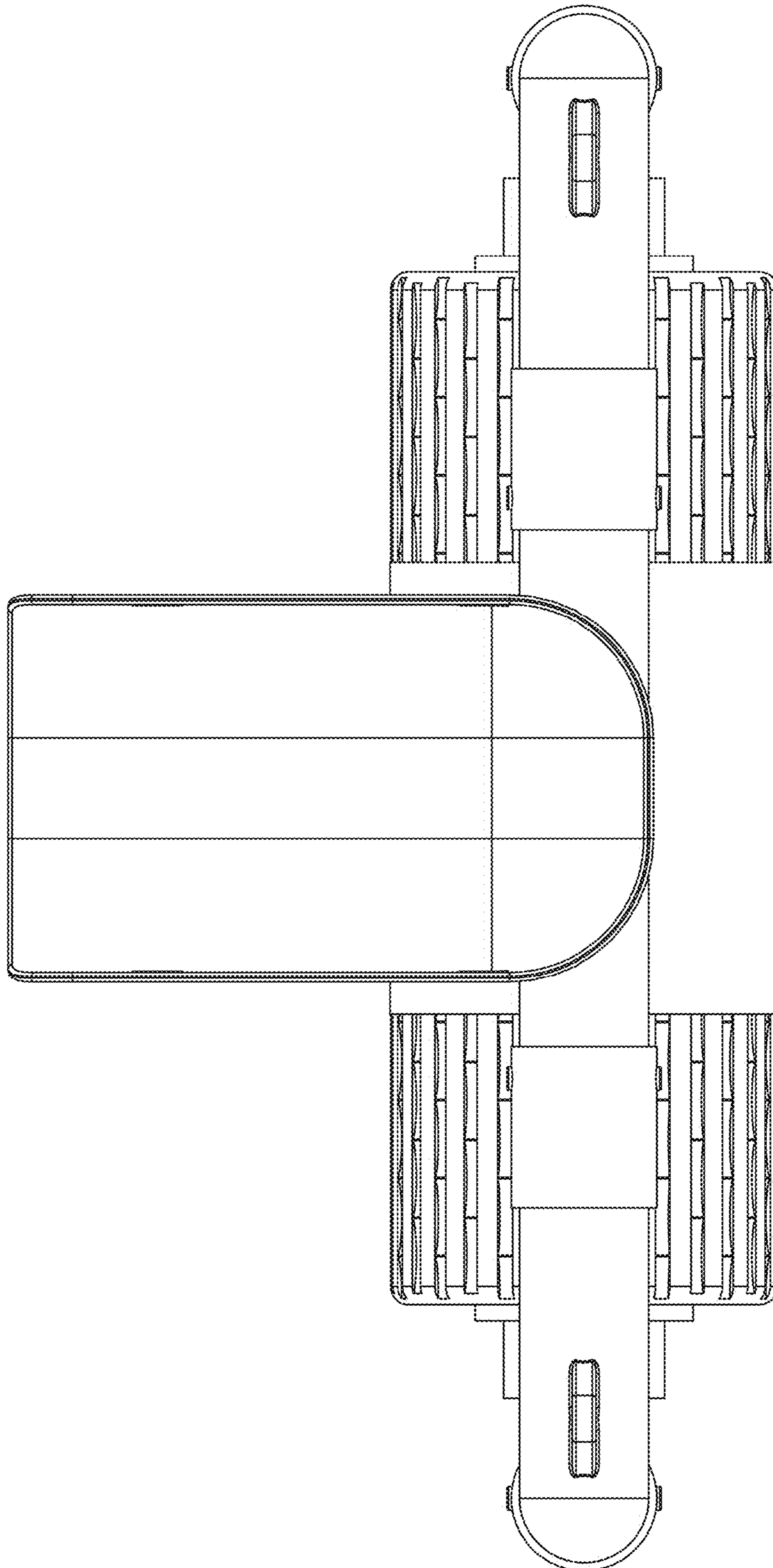


FIG. 4

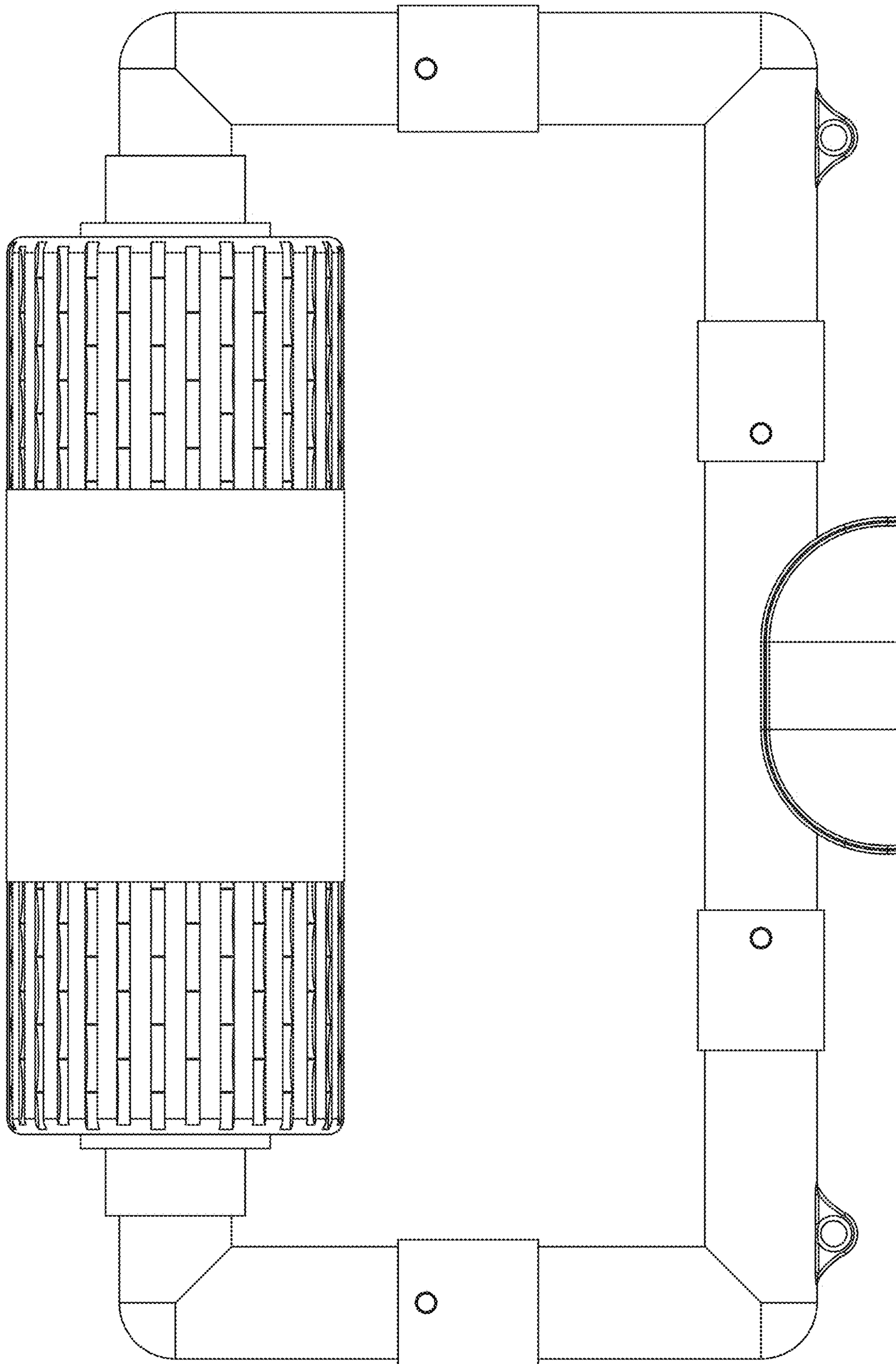


FIG. 5

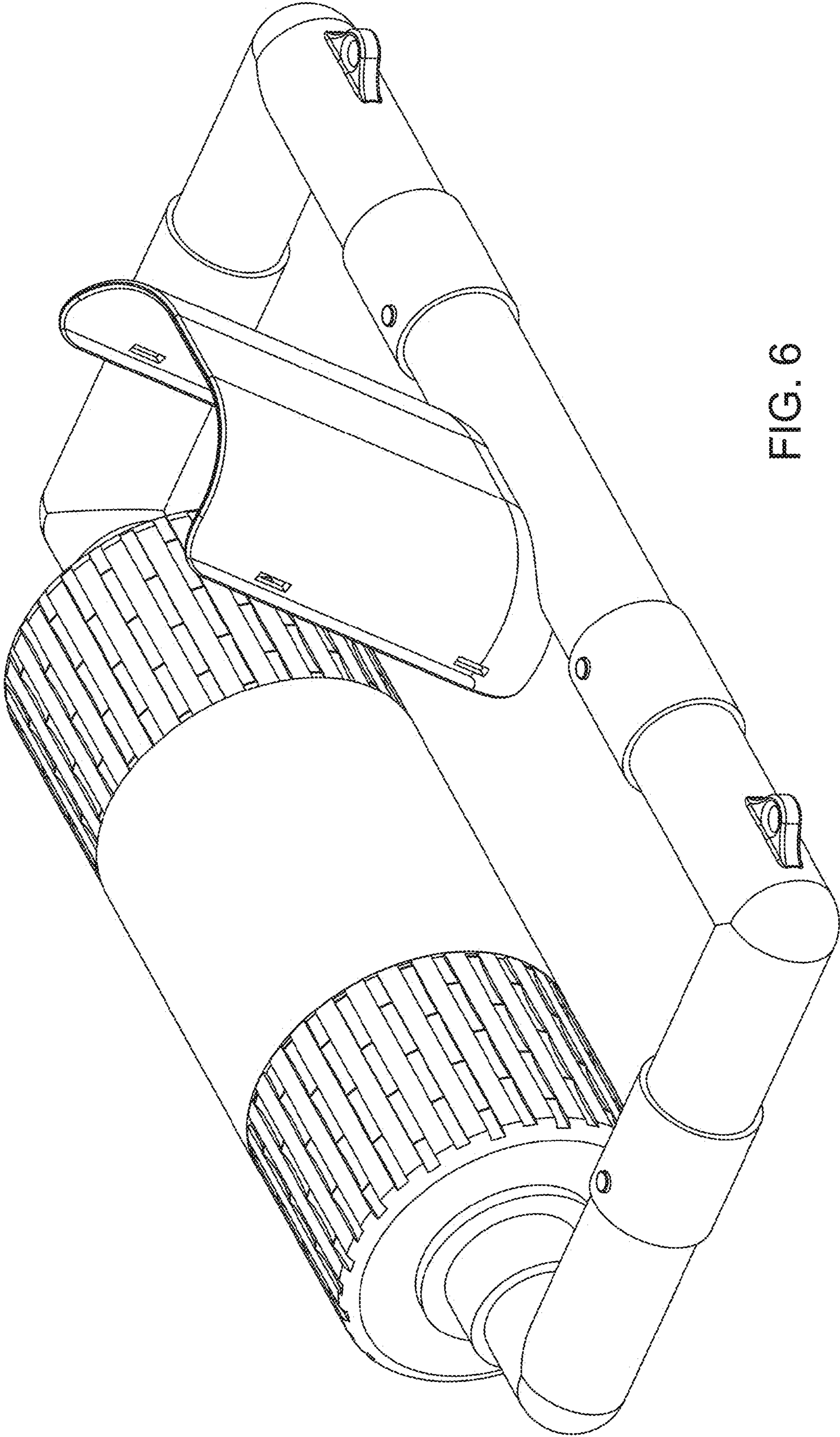


FIG. 6



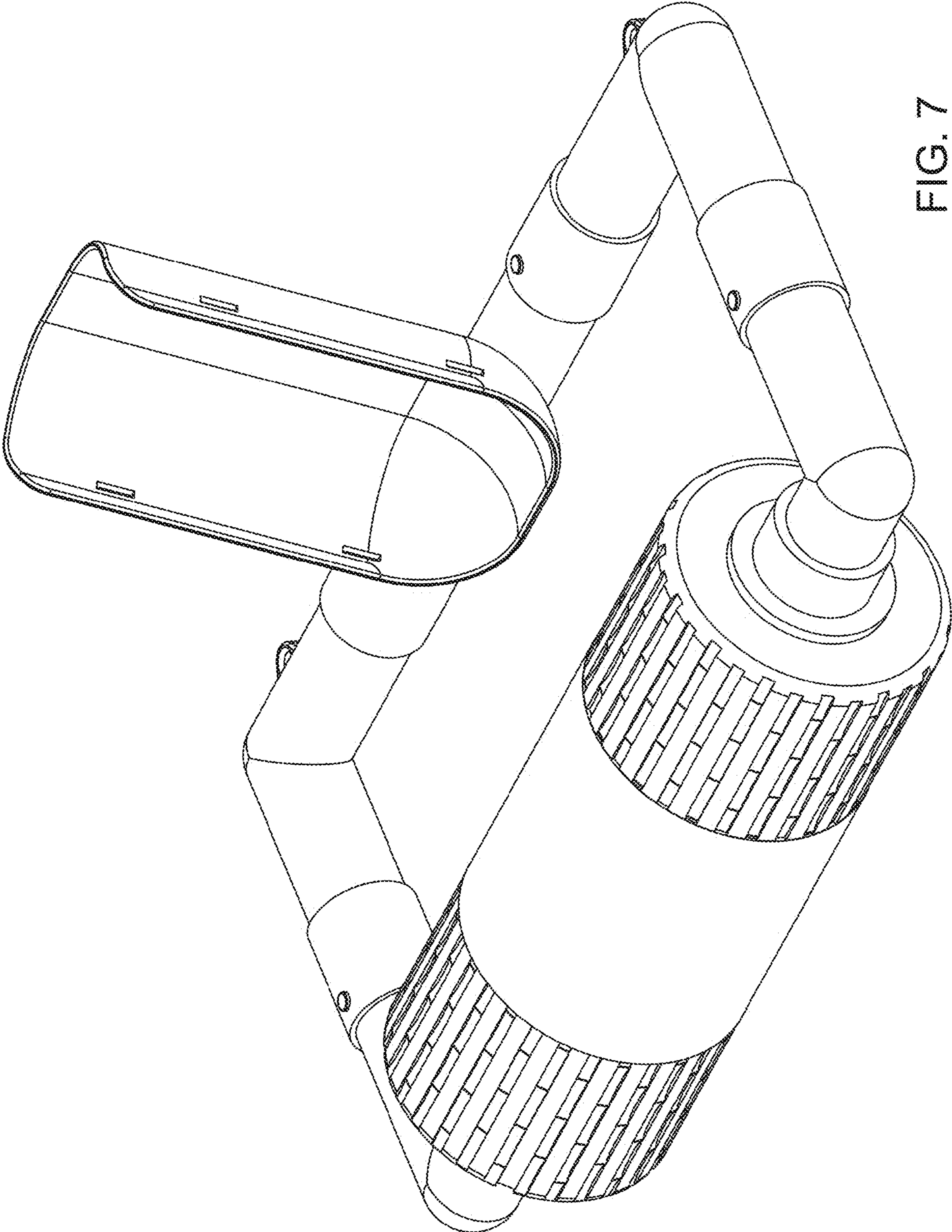


FIG. 7

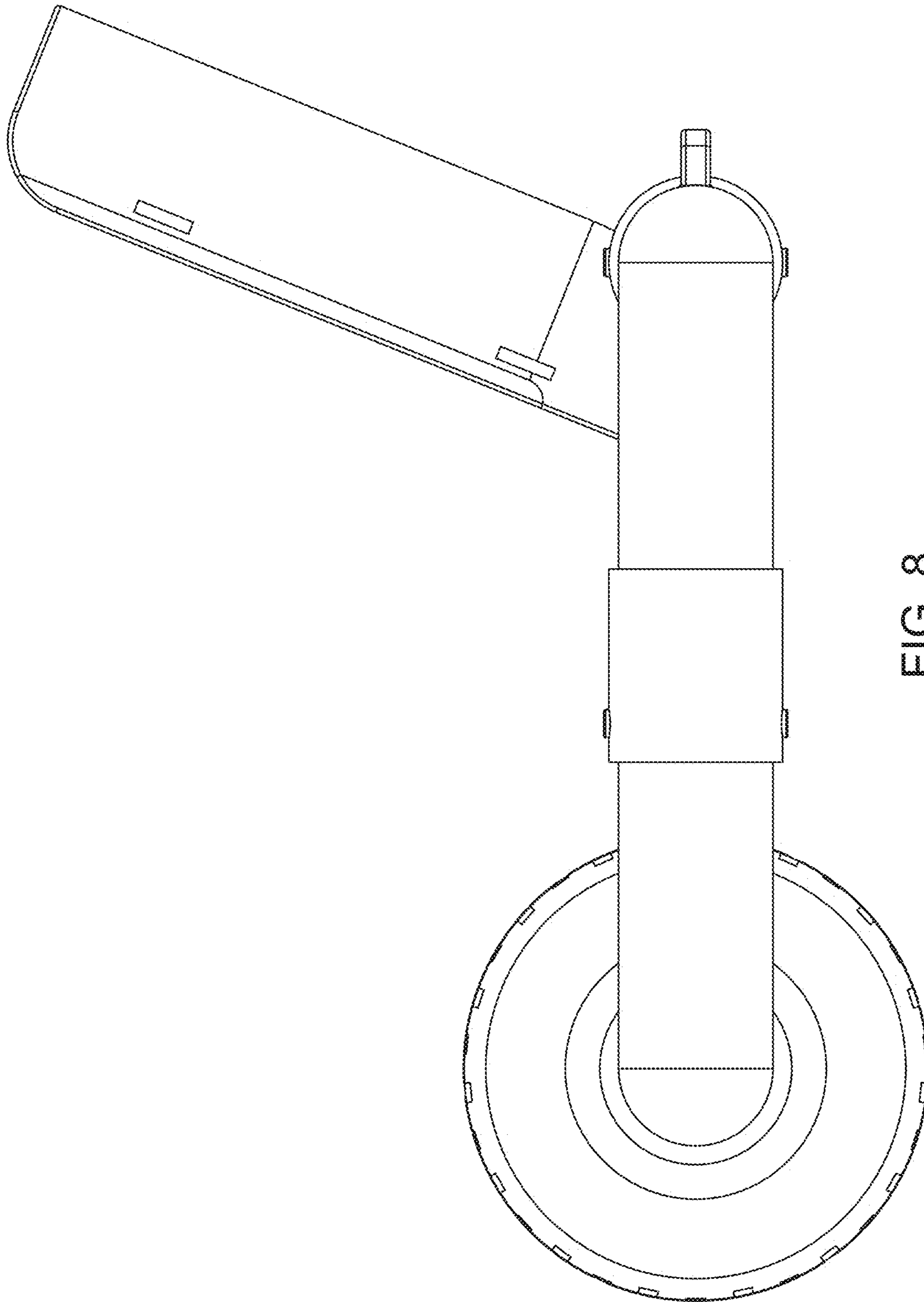


FIG. 8

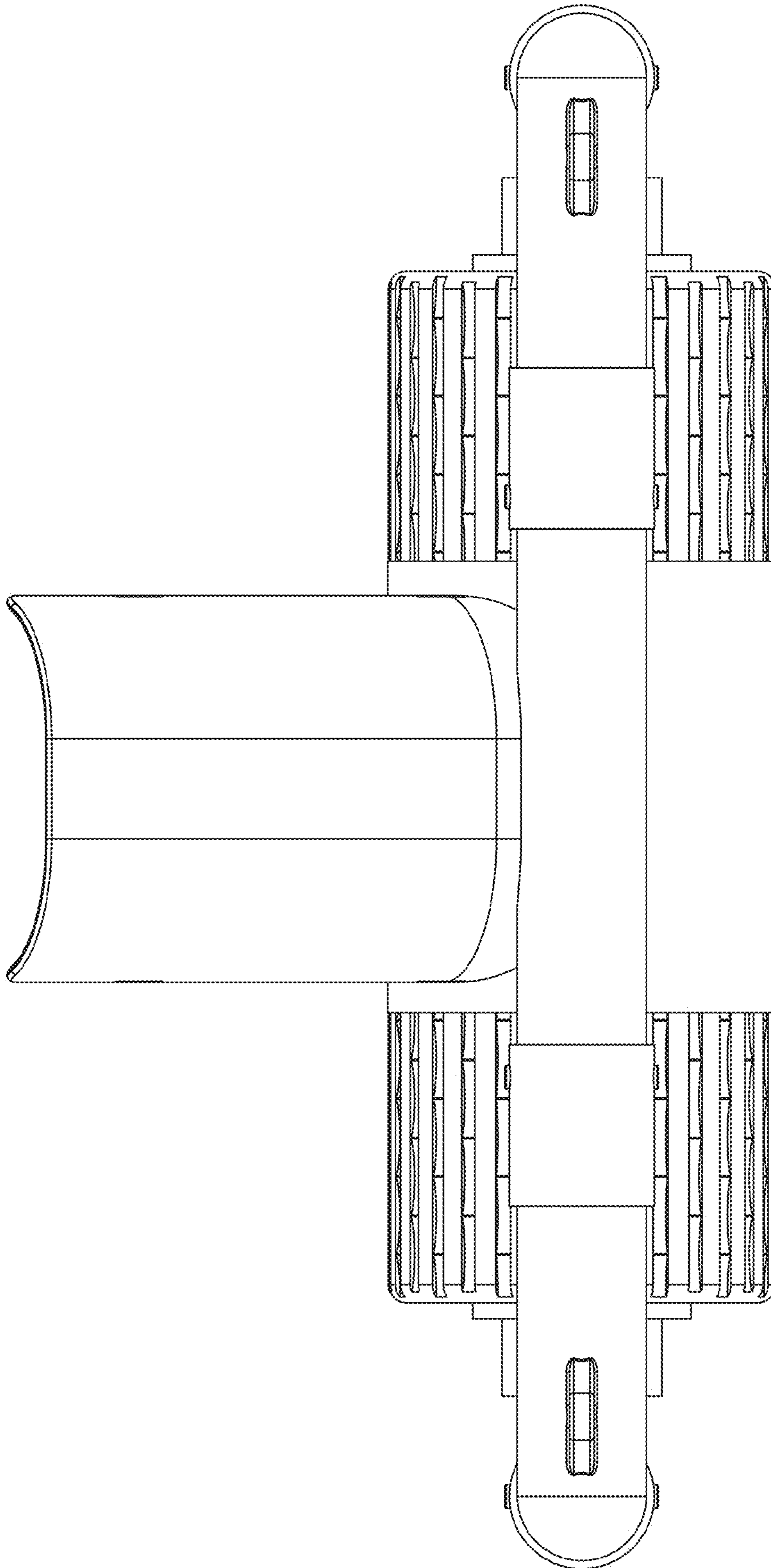


FIG. 9

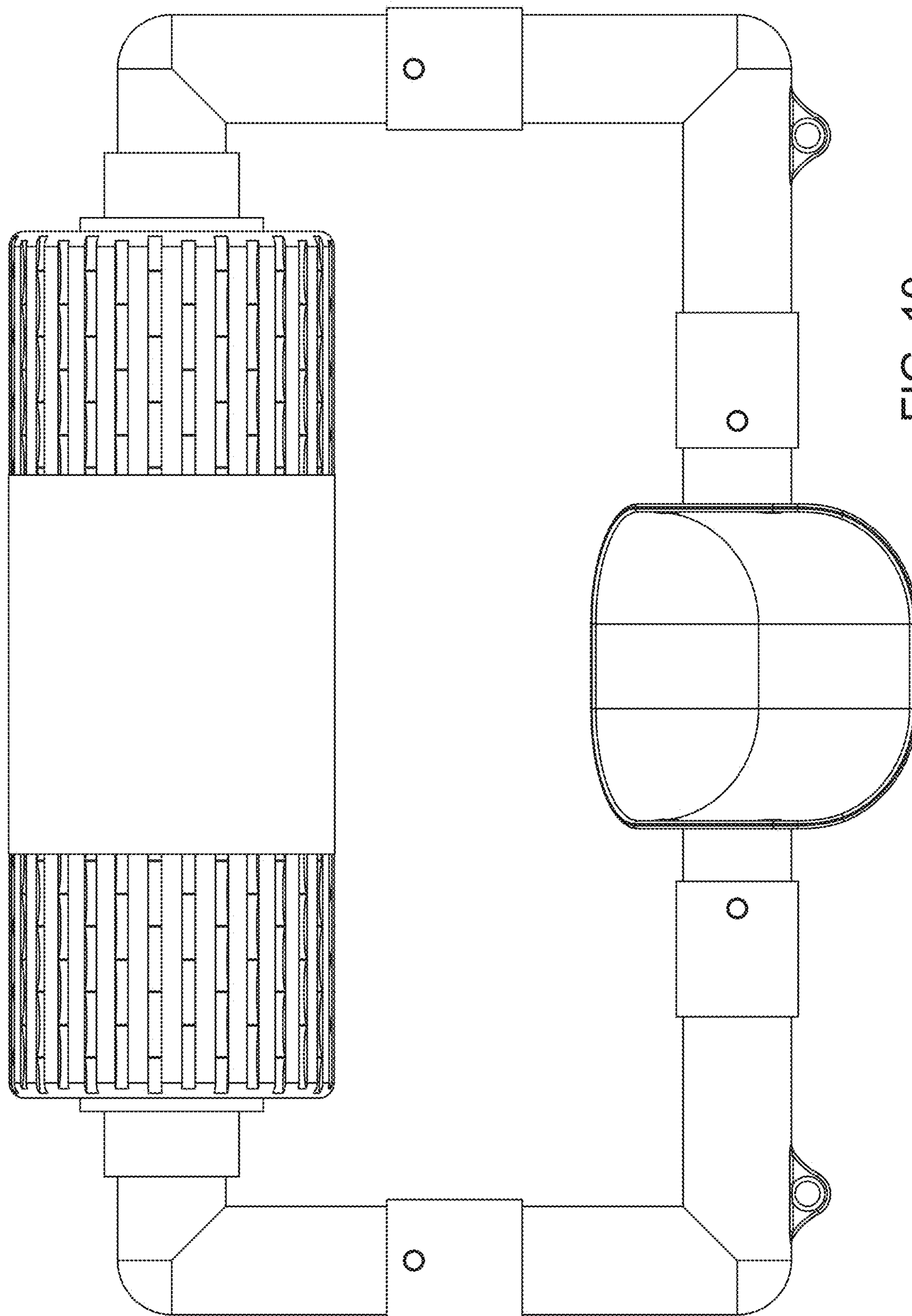


FIG. 10