



US00D954160S

(12) **United States Design Patent**
He

(10) **Patent No.:** **US D954,160 S**
(45) **Date of Patent:** **** Jun. 7, 2022**

(54) **WATER GUN**

(71) Applicant: **Shenzhen Baseus Technology Co., Ltd.**, Shenzhen (CN)

(72) Inventor: **Shiyu He**, Shenzhen (CN)

(73) Assignee: **SHENZHEN BASEUS TECHNOLOGY CO., LTD.**, Shenzhen (CN)

(**) Term: **15 Years**

(21) Appl. No.: **29/769,241**

(22) Filed: **Feb. 4, 2021**

(30) **Foreign Application Priority Data**

Aug. 31, 2020 (CN) 202030506209.1

(51) **LOC (13) Cl.** **21-01**

(52) **U.S. Cl.**
USPC **D21/572**

(58) **Field of Classification Search**
USPC D23/213, 223; D21/572-575;
D22/100-104, 108-109; D24/200,
D24/211-215; D8/13, 14.1
CPC A61H 9/0021; A61H 33/00; A61H
2201/1635; A61H 23/006; A61H 1/00;
B05B 1/00; B05B 1/14; B05B 1/185;
B05B 1/08; B05B 1/02; B05B 1/26;
B05B 12/002; B05B 1/18; B05B 9/01;
F41C 3/00; F41C 3/005; F41C 3/02;
F41C 3/04; F41C 3/06; F41C 3/14; F41C
3/16; F41C 9/02; F41C 9/04; F41C 9/06
See application file for complete search history.

(56) **References Cited**

U.S. PATENT DOCUMENTS

4,676,137 A * 6/1987 Stockton F41A 9/65
89/33.02
D351,007 S * 9/1994 Bednar D21/572

D355,000 S * 1/1995 Arad D21/570
D403,042 S * 12/1998 Kozlovitz D22/100
D463,509 S * 9/2002 Huang D21/574
D617,398 S * 6/2010 Selevan D21/572
D676,504 S * 2/2013 Wilson D21/572
D677,741 S * 3/2013 Wilson D21/572
D678,427 S * 3/2013 Wilson D21/572

(Continued)

OTHER PUBLICATIONS

Paint & Decorating Tool Labor Saving High Efficiency Cartridge Air Caulking Gun, Oct. 7, 2020, amazon.ca, Apr. 8, 2022, URL: <https://www.amazon.ca/Decorating-Efficiency-Cartridge-Caulking-Decoration/dp/B08KTH9V12/> (Year: 2020).*

(Continued)

Primary Examiner — Jack Reickel

Assistant Examiner — Keith J Wilson

(74) *Attorney, Agent, or Firm* — Andrew C. Cheng

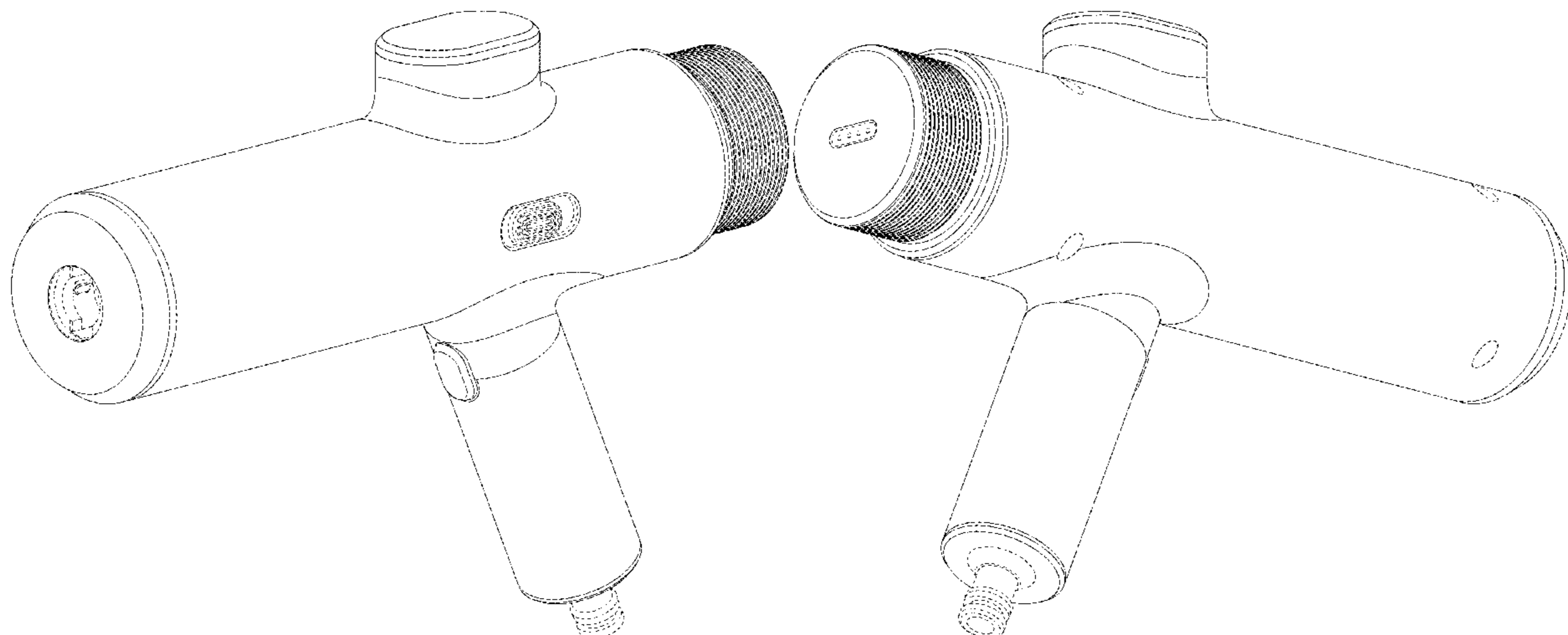
(57) **CLAIM**

I claim the ornamental design for a water gun, as shown and described.

DESCRIPTION

FIG. 1 is a first perspective view of a water gun showing my new design;
FIG. 2 is a second perspective view of FIG. 1, viewed in another aspect;
FIG. 3 is a front view of the water gun;
FIG. 4 is a rear view of the water gun;
FIG. 5 is a left view of the water gun;
FIG. 6 is a right view of the water gun;
FIG. 7 is a top view of the water gun;
FIG. 8 is a bottom view of the water gun; and,
FIG. 9 is an exploded view of FIG. 1.
The broken lines depict portions of the water gun in which the design is embodied that form no part of the claimed design.

1 Claim, 9 Drawing Sheets



(56)

References Cited

U.S. PATENT DOCUMENTS

D698,871 S	*	2/2014	Cummings	D21/573
D732,116 S	*	6/2015	Gonzalez	D21/573
D776,221 S	*	1/2017	Malcolm	D22/104
D786,986 S	*	5/2017	Su	D21/570
D792,543 S	*	7/2017	Lakatos	D22/104
D793,488 S	*	8/2017	Rondeau	D21/573
D832,370 S	*	10/2018	Chen	D21/573
D865,101 S	*	10/2019	Tang	D22/104
D939,724 S	*	12/2021	Hu	D24/215
D940,892 S	*	1/2022	Shen	D24/215
D948,068 S	*	4/2022	Xu	D24/215

OTHER PUBLICATIONS

Chicago Pneumatic Tool CP9885 Air Caulking Gun, Oct. 28, 2015, amazon.ca, Apr. 8, 2022, URL: <https://www.amazon.ca/Chicago-Pneumatic-Tool-CP9885-Caulking/dp/B001VY1KU8/> (Year: 2015).*

Glass Glue Gun, OW-Q3 310ML Pneumatic Caulking Gun, May 14, 2020, amazon.ca, Apr. 8, 2022, URL: <https://www.amazon.ca/dp/B088M5P39M/> (Year: 2020).*

Muscle Massage Gun Deep Tissue Percussion Massager, Jan. 6, 2020, amazon.ca, Apr. 8, 2022, URL: <https://www.amazon.ca/dp/B082Y114TB/> (Year: 2020).*

* cited by examiner

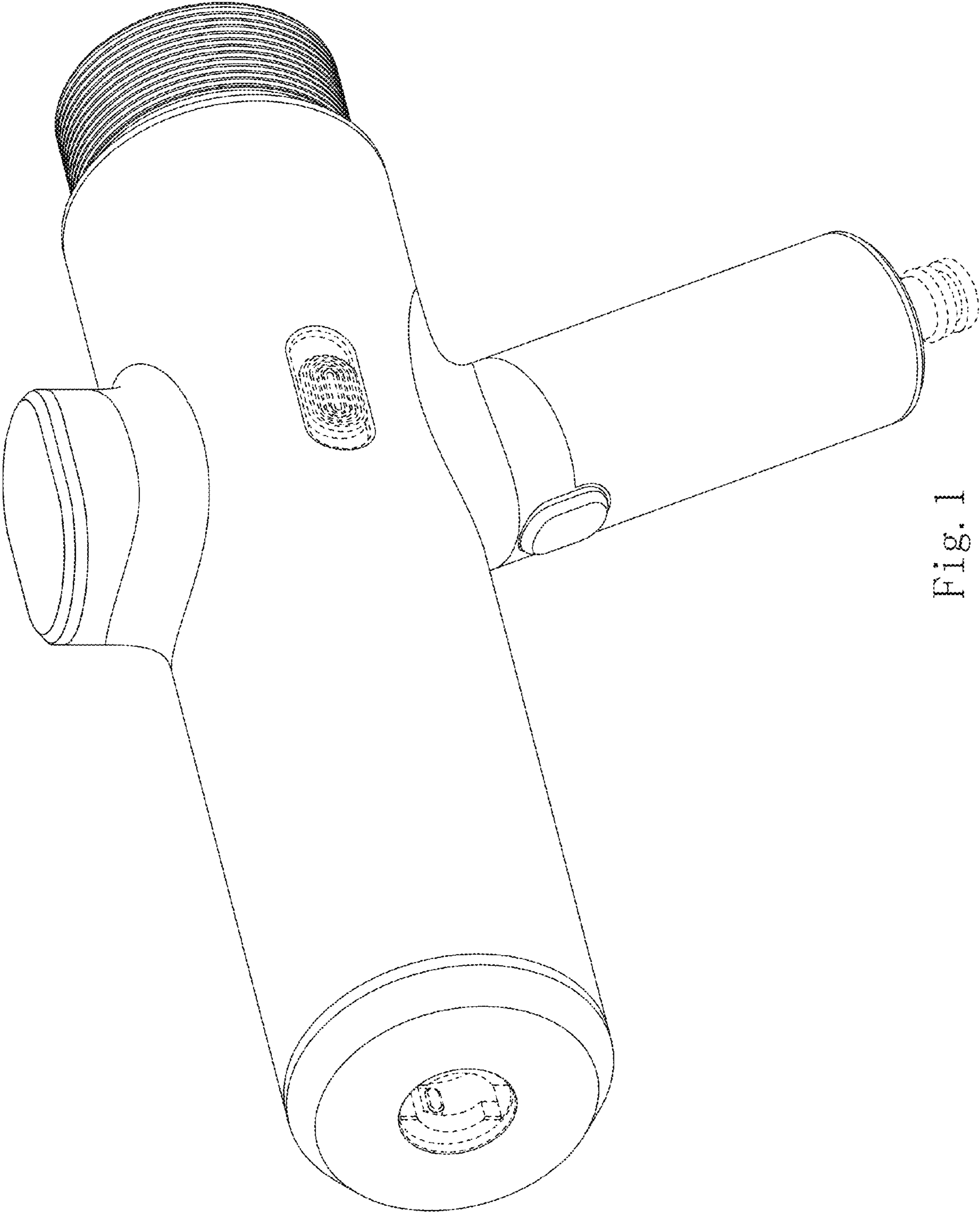


Fig. 1

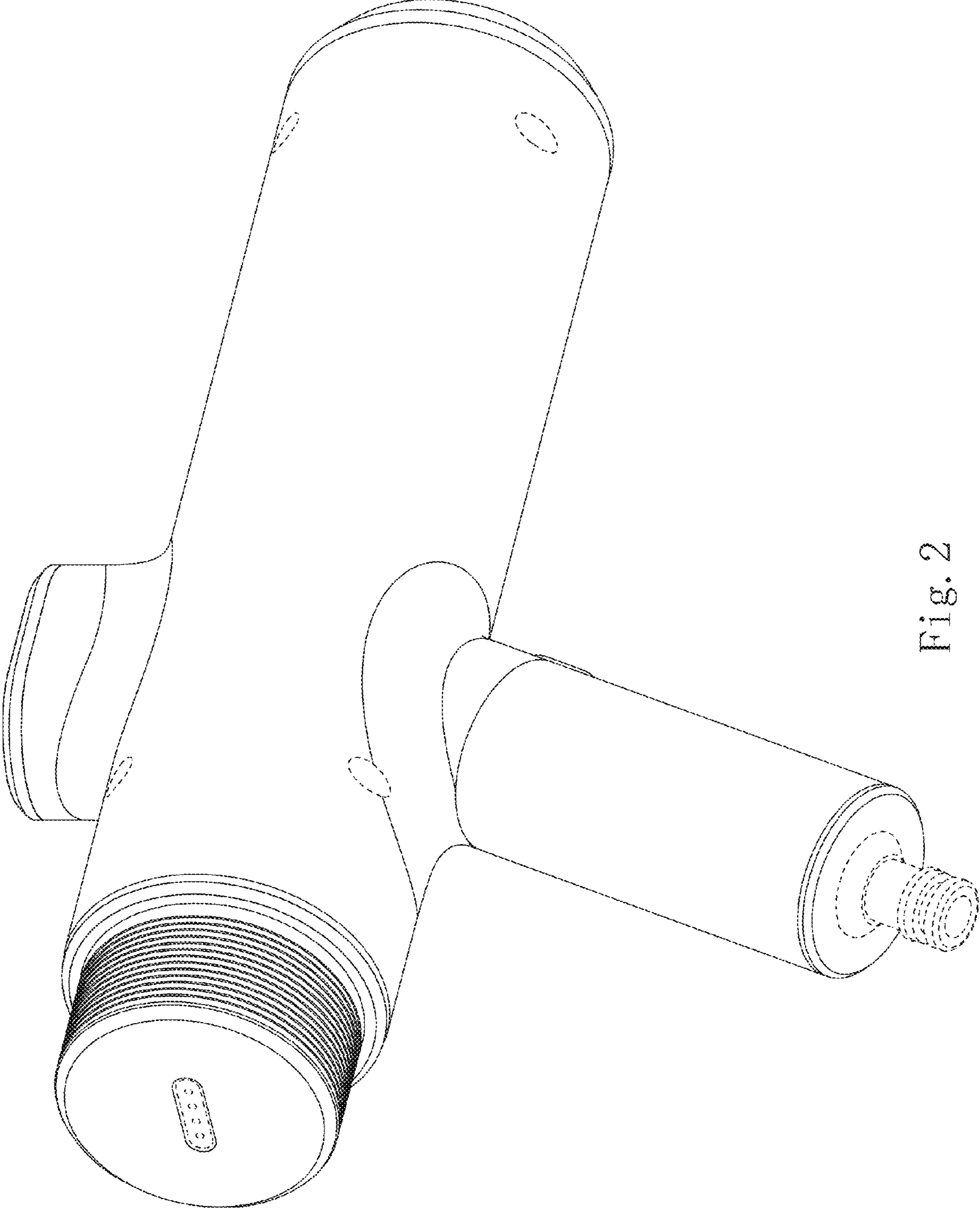


Fig. 2

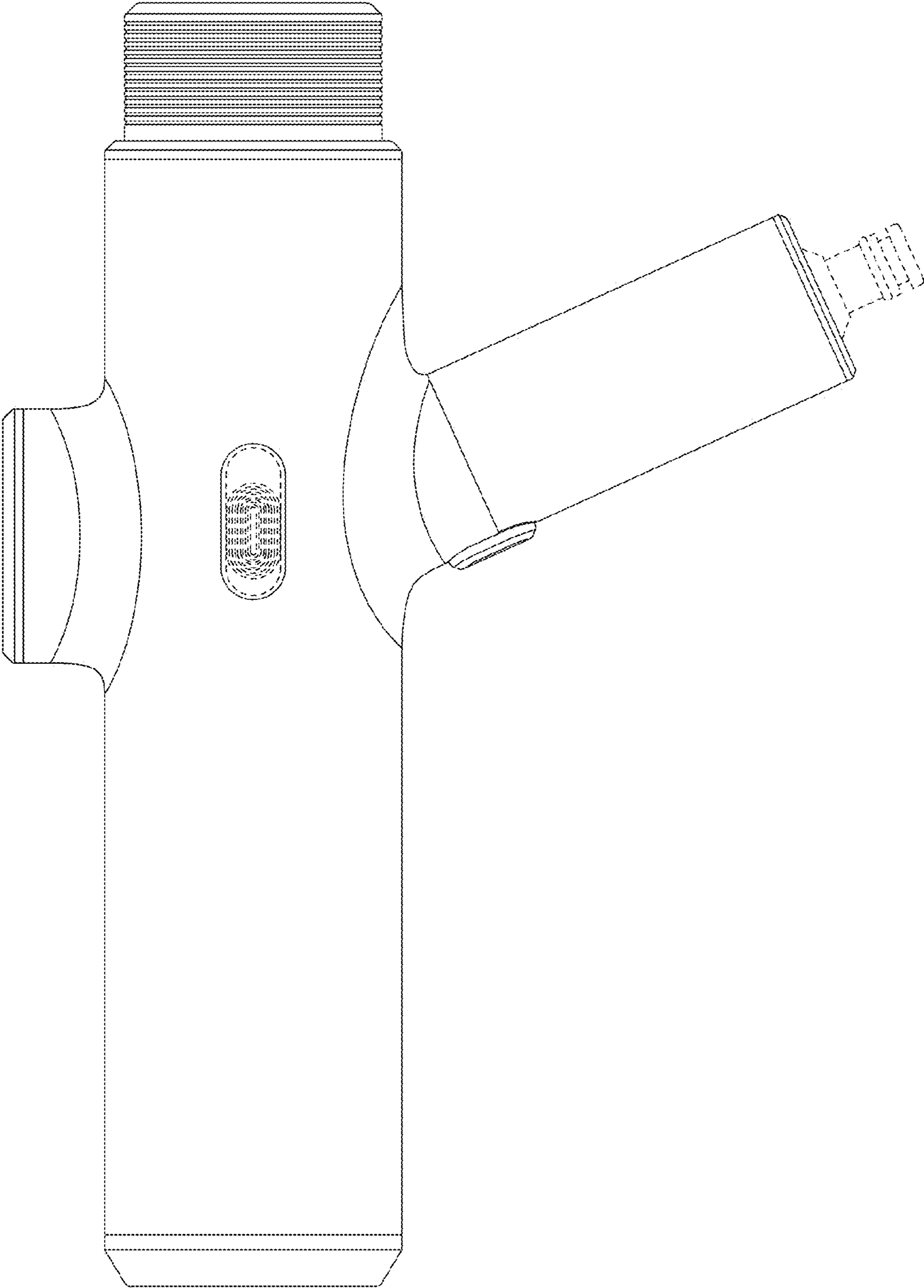


Fig. 3

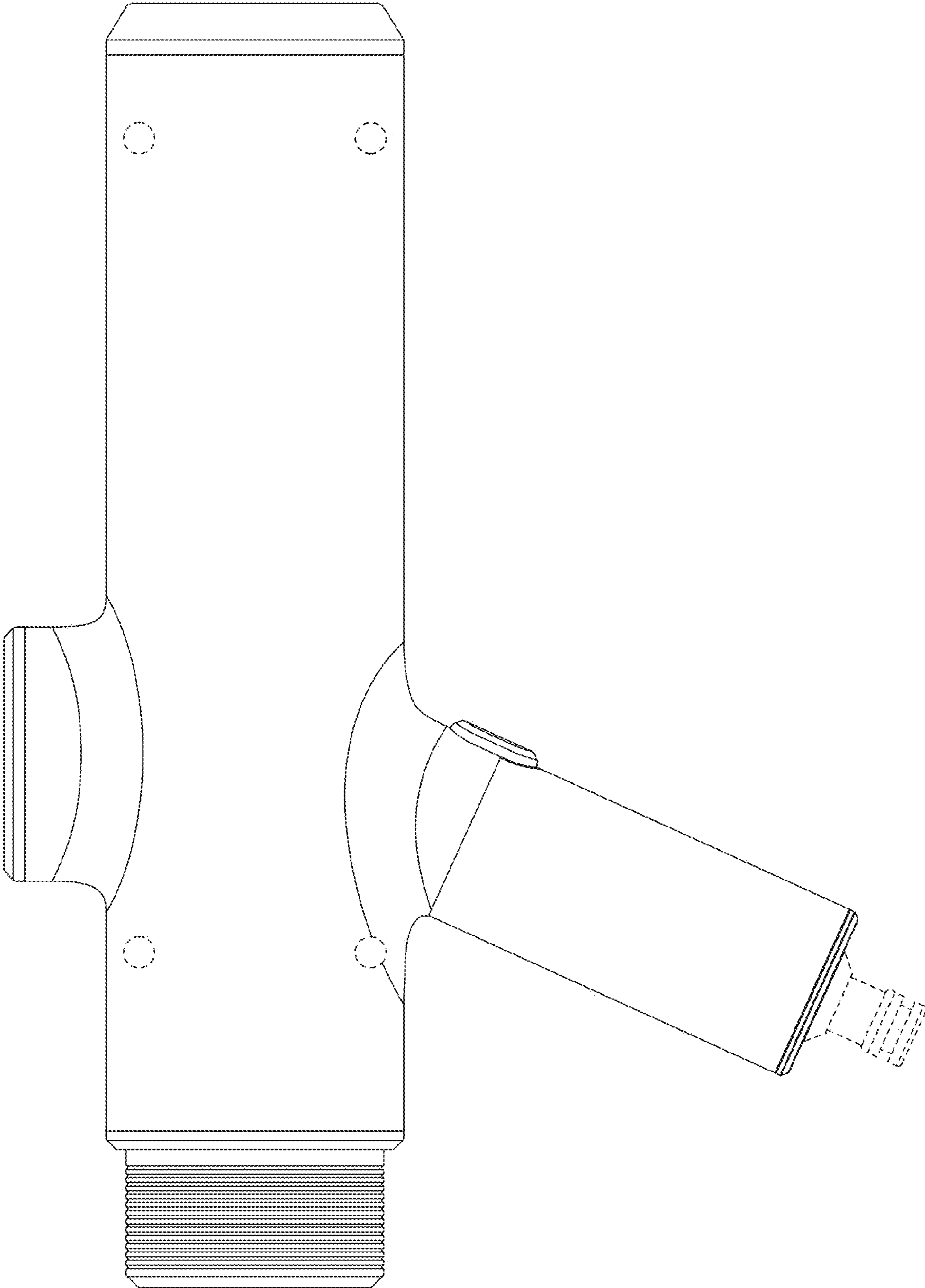


Fig. 4

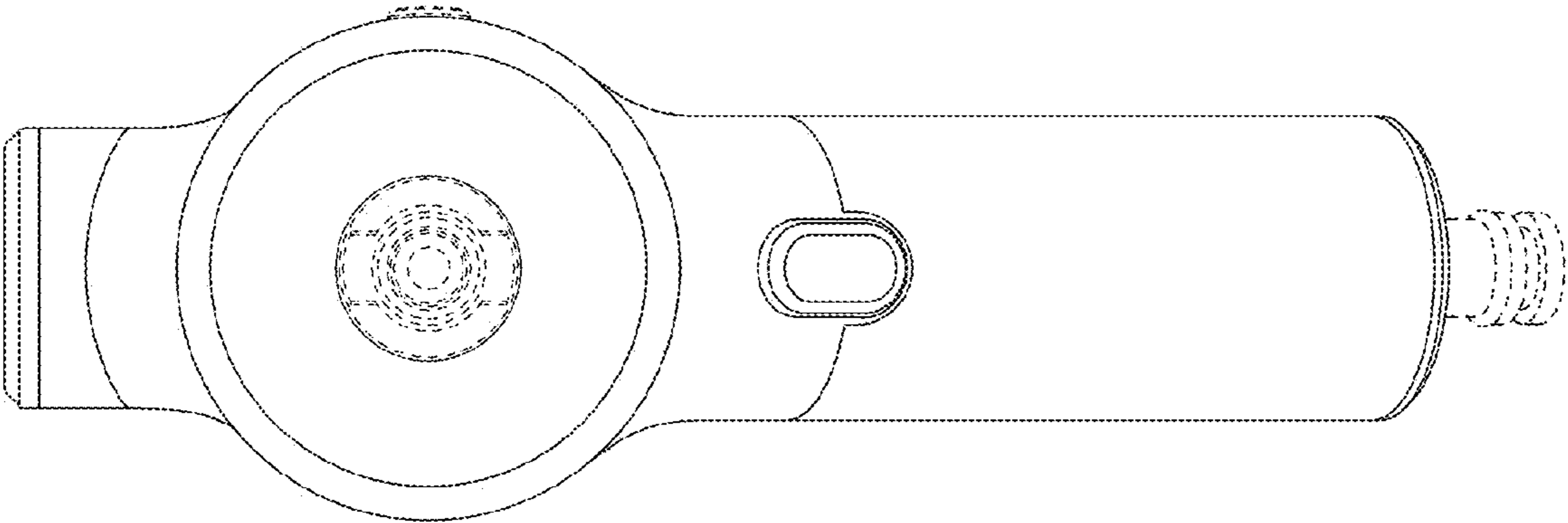


Fig. 5

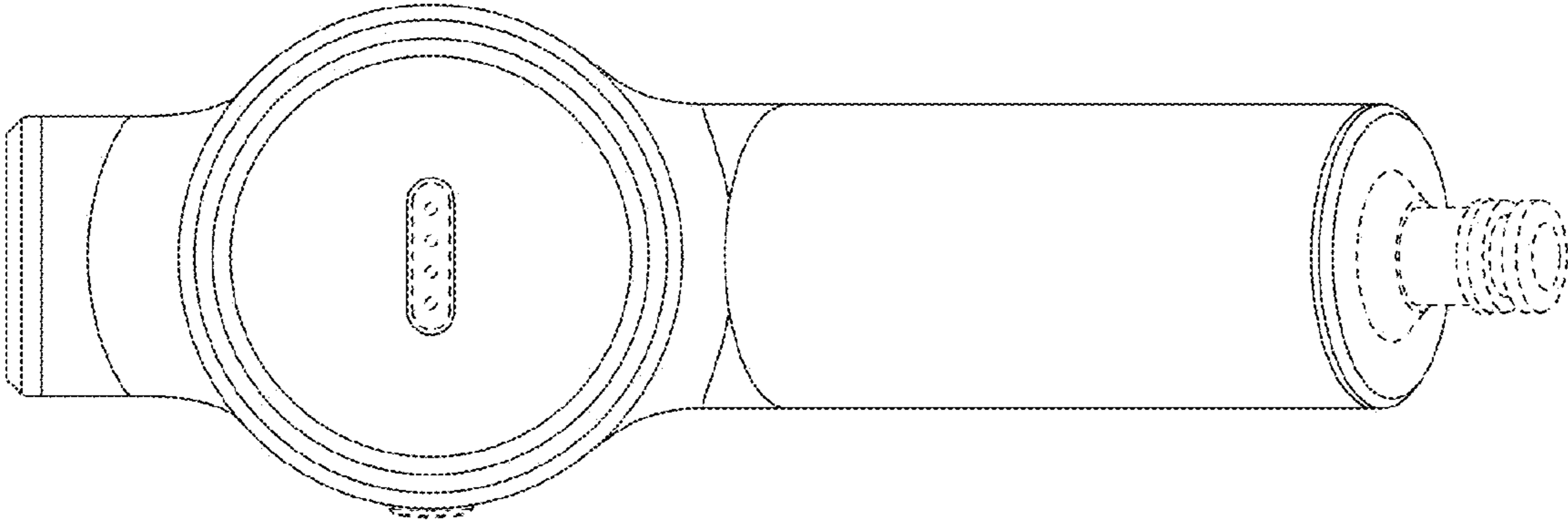


Fig. 6

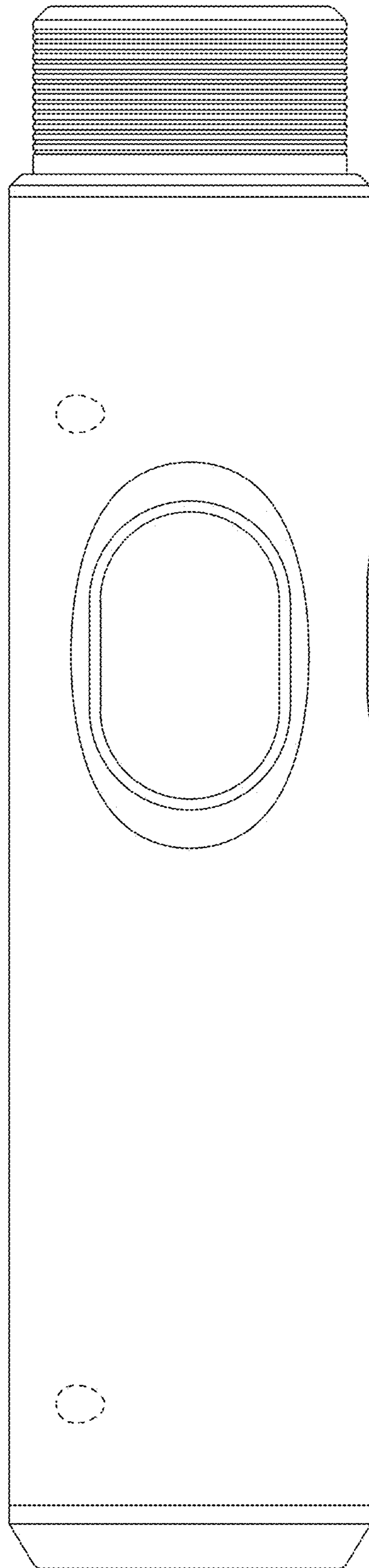


Fig. 7

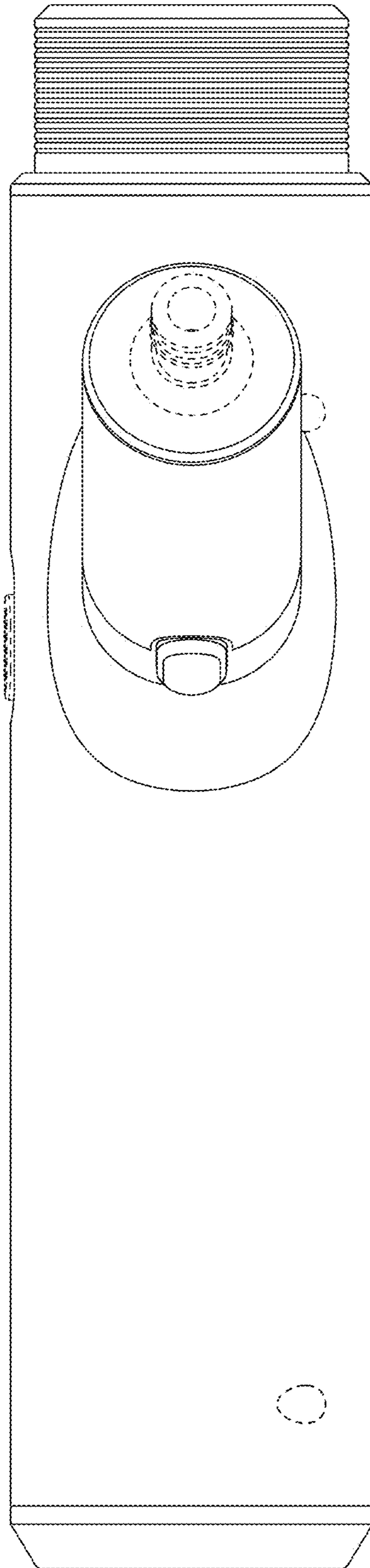


Fig. 8

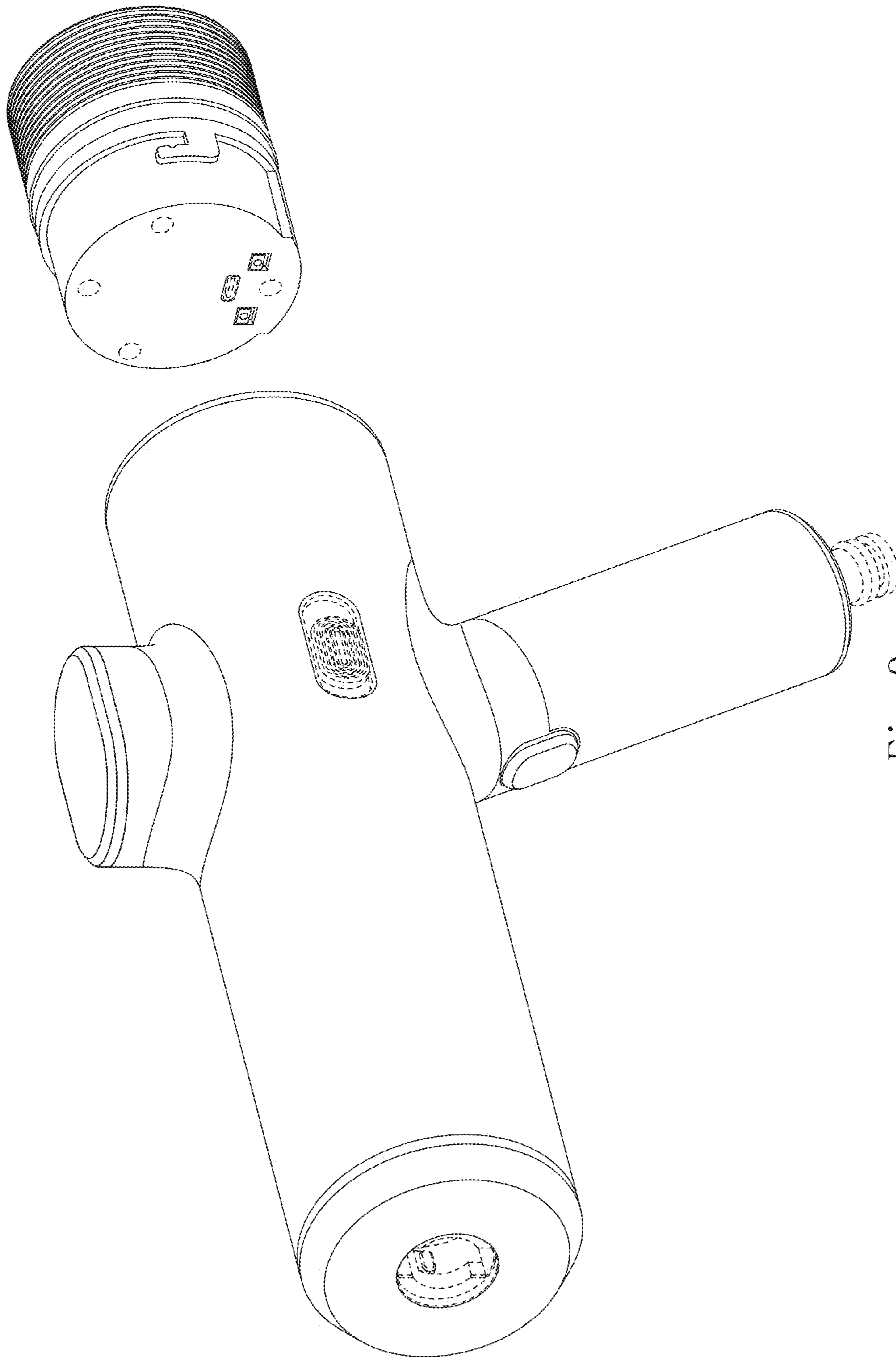


Fig. 9