



US00D954158S

(12) **United States Design Patent**
Zheng

(10) **Patent No.:** **US D954,158 S**
(45) **Date of Patent:** **** Jun. 7, 2022**

(54) **TOY KITCHEN**

FOREIGN PATENT DOCUMENTS

(71) Applicant: **Peifeng Zheng**, Shantou (CN)

CN 305421281 * 11/2019
CN 305421281 S 11/2019

(72) Inventor: **Peifeng Zheng**, Shantou (CN)

OTHER PUBLICATIONS

(**) Term: **15 Years**

Play Kitchen, oldest review Sep. 18, 2020, site visited Feb. 18, 2022, <https://www.amazon.com/Kitchen-Pretend-Portable-Color-Change-Foods-Accessories> . . . *

(21) Appl. No.: **29/750,862**

(22) Filed: **Sep. 17, 2020**

* cited by examiner

(51) **LOC (13) Cl.** **21-01**

(52) **U.S. Cl.**
USPC **D21/525**

Primary Examiner — John R Yeh

(58) **Field of Classification Search**
USPC D21/521, 519, 529, 524, 526, 513–514;
D16/221–222, 230, 232

(74) *Attorney, Agent, or Firm* — True Shepherd LLC;
Andrew C. Cheng

CPC A61B 6/501; A63H 33/305; A63H 33/30
See application file for complete search history.

(57) **CLAIM**

The ornamental design for toy kitchen, as shown and described.

(56) **References Cited**

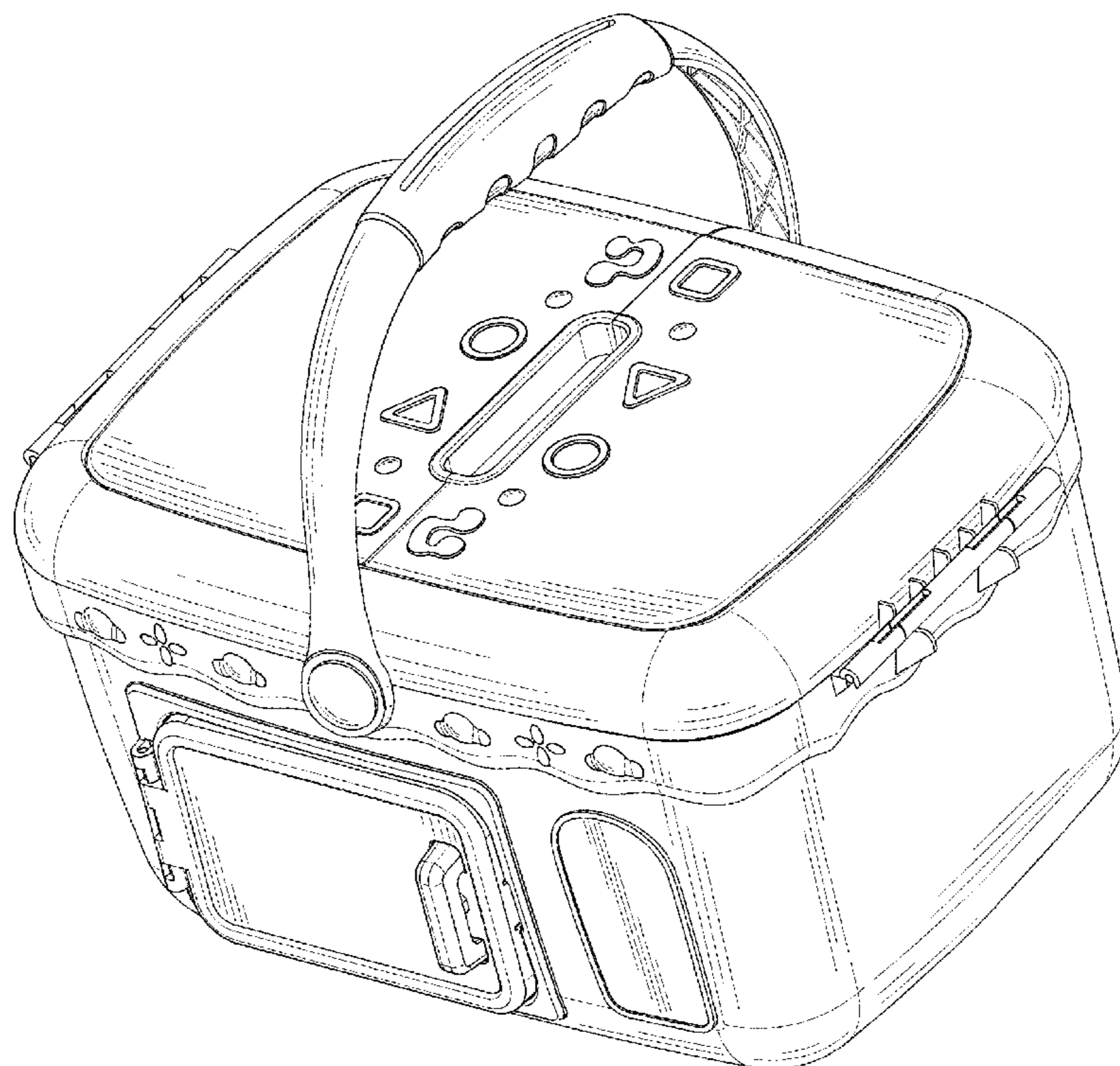
DESCRIPTION

U.S. PATENT DOCUMENTS

- D260,104 S * 8/1981 Klawitter D7/351
- D260,274 S * 8/1981 Appel D21/524
- 4,332,101 A * 6/1982 Tomita A63H 33/30
40/406
- D265,748 S * 8/1982 Tabata D21/529
- D282,942 S * 3/1986 Hartelius D21/524
- D303,691 S * 9/1989 Wehmeyer D21/524
- D366,292 S * 1/1996 Monneret D21/524
- D372,058 S * 7/1996 Yang D21/524
- D407,757 S * 4/1999 Blumenthal D21/524
- D470,550 S * 2/2003 Wyatt D21/529
- D473,600 S * 4/2003 Khasminsky D21/524
- D490,862 S * 6/2004 Hradisky D21/524
- D605,710 S * 12/2009 Ben-Moshe D14/138 AD

FIG. 1 is a perspective view for a toy kitchen showing my new design;
FIG. 2 is a front view thereof;
FIG. 3 is a rear view thereof;
FIG. 4 is a left side view thereof;
FIG. 5 is a right side view thereof;
FIG. 6 is a top plan view thereof; and,
FIG. 7 is a bottom plan view thereof.
The broken lines depict portions of the toy kitchen and form no part of the claimed design.

1 Claim, 7 Drawing Sheets



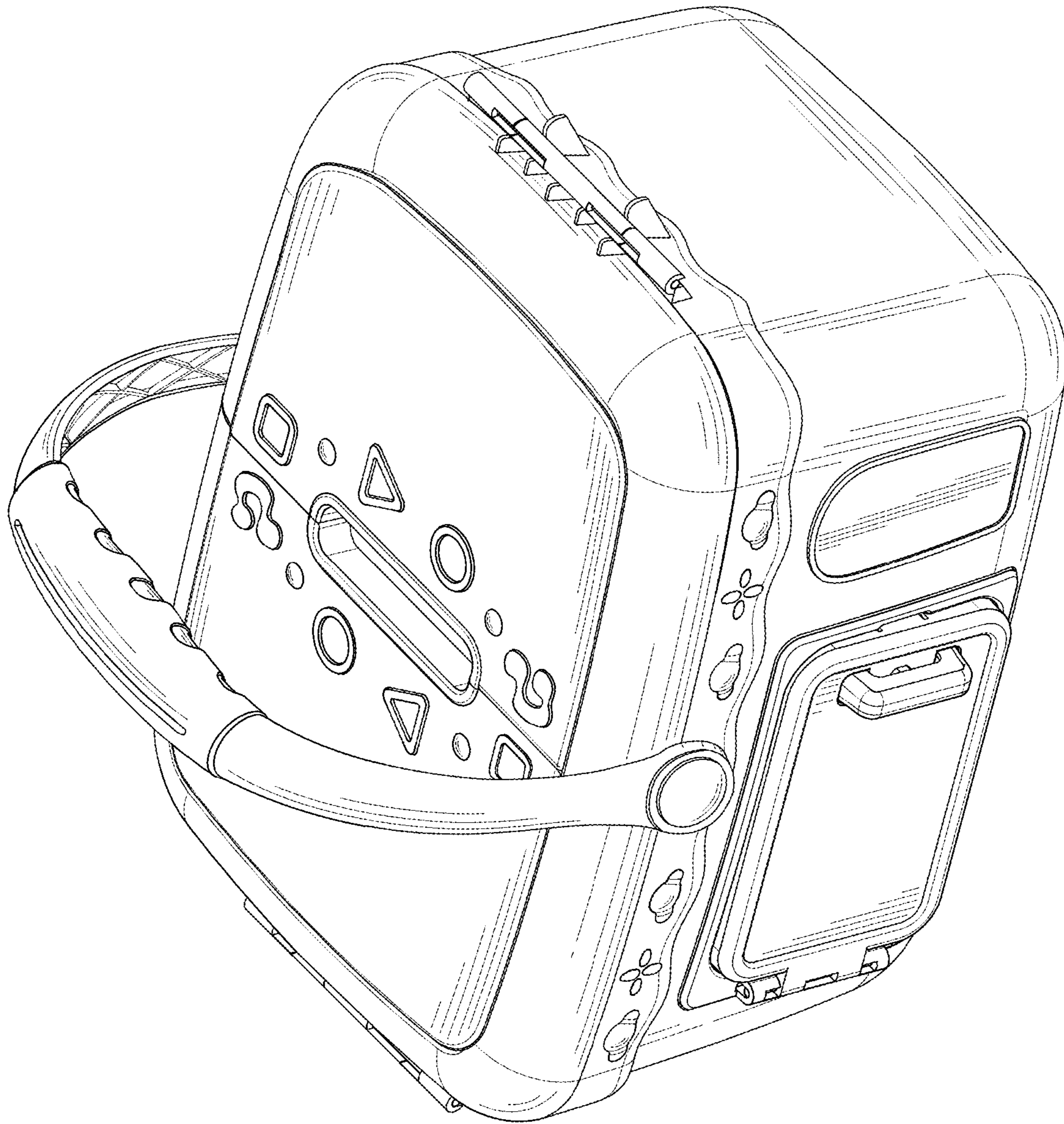


FIG. 1

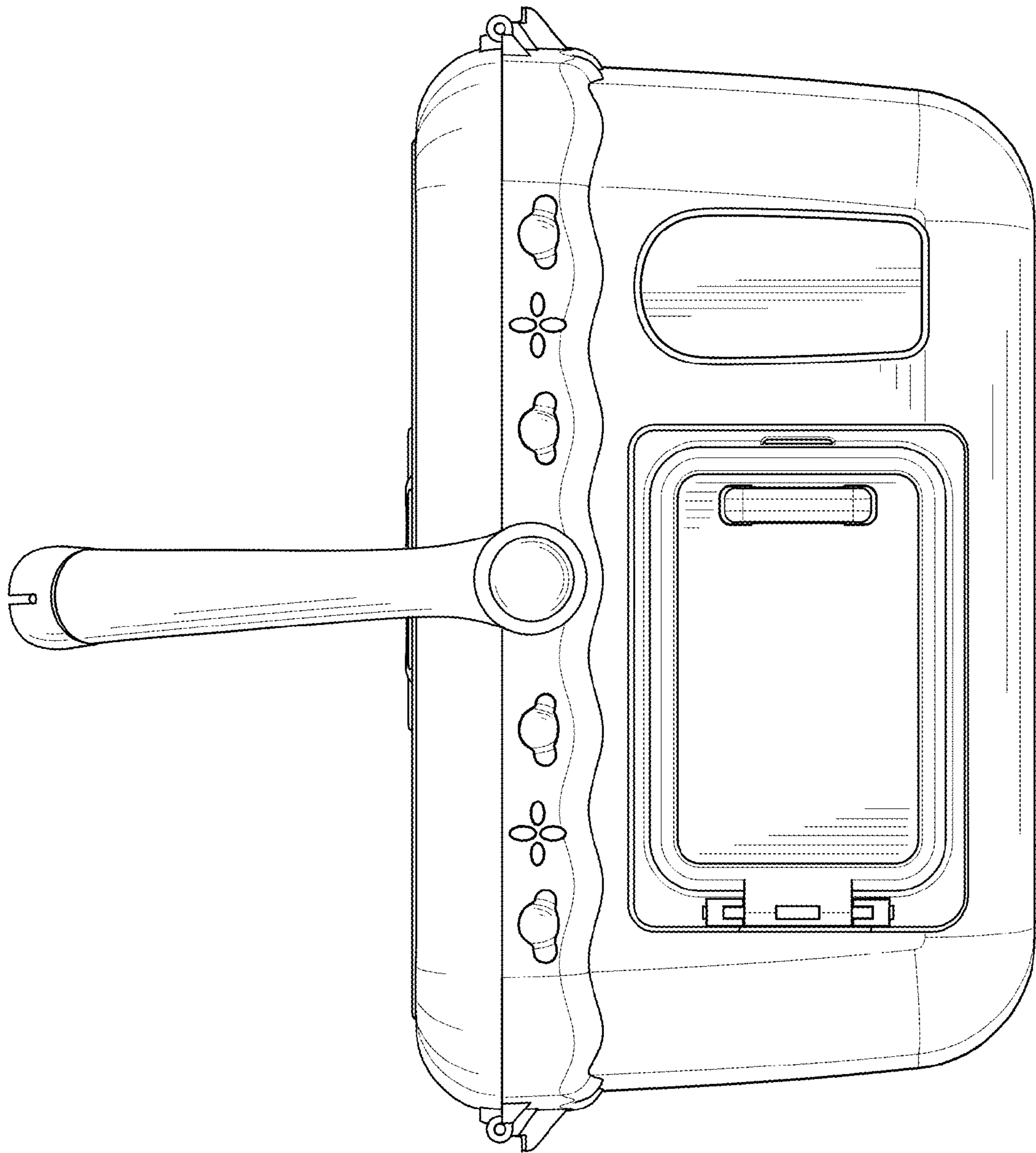


FIG. 2

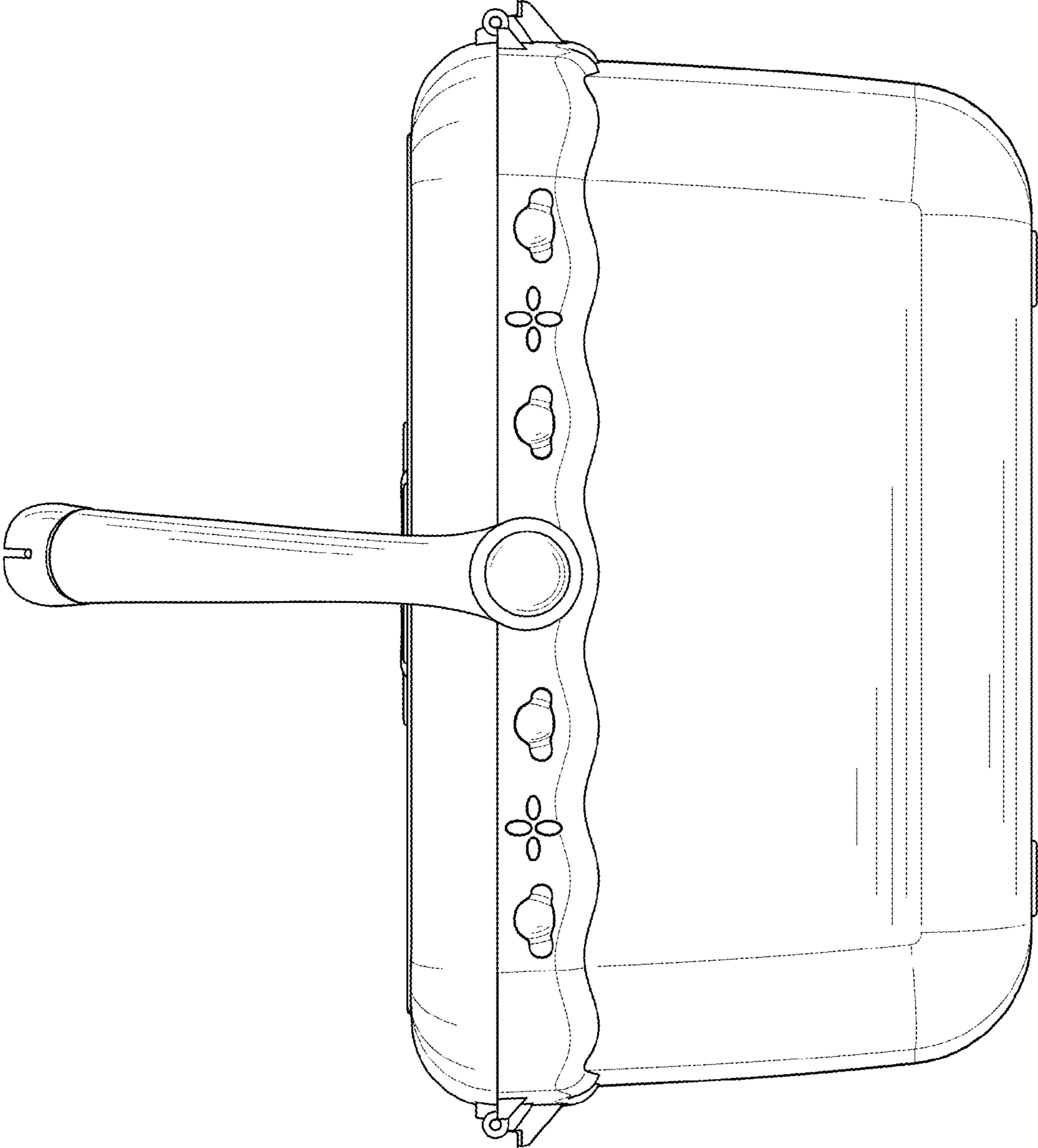


FIG. 3

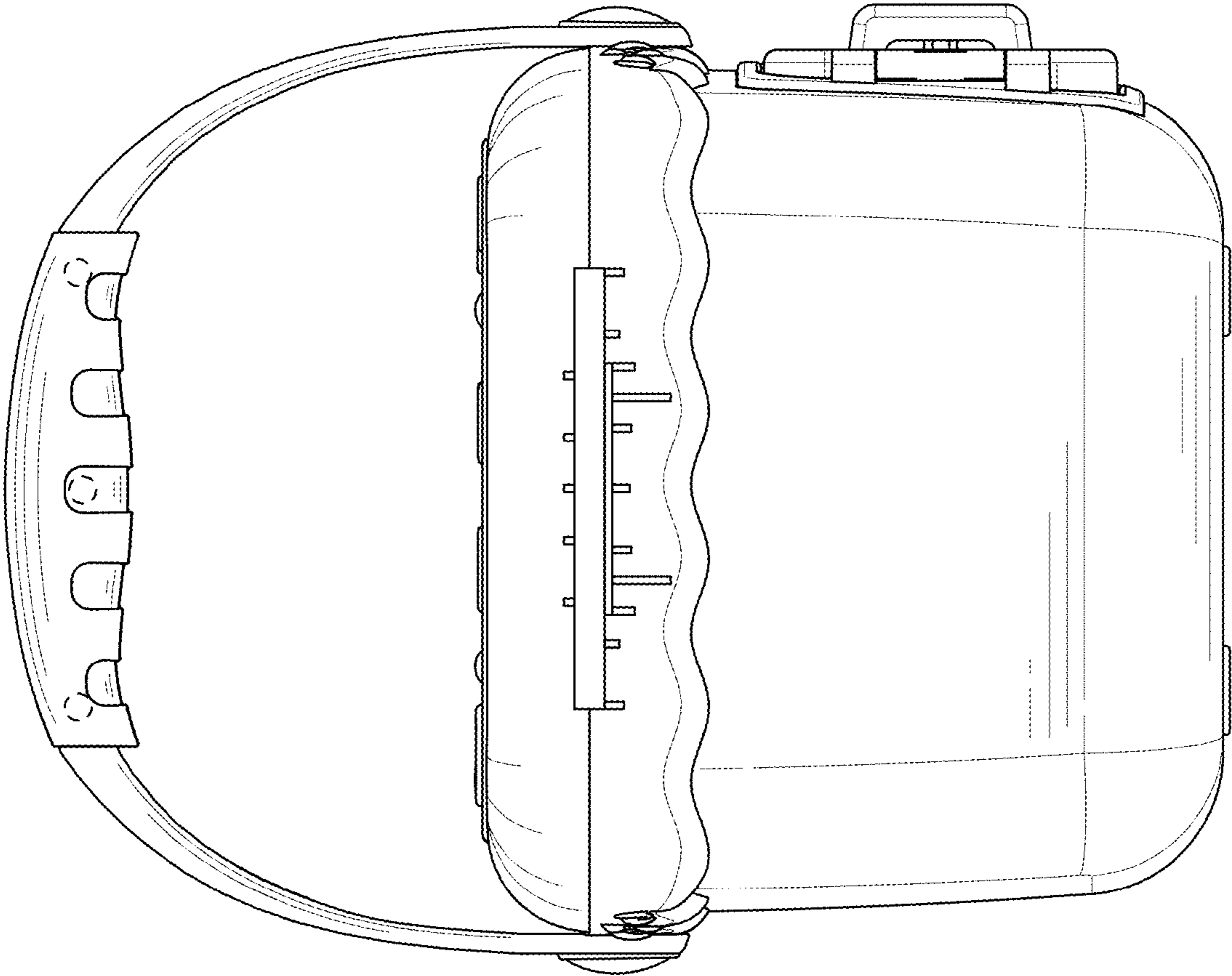


FIG. 4

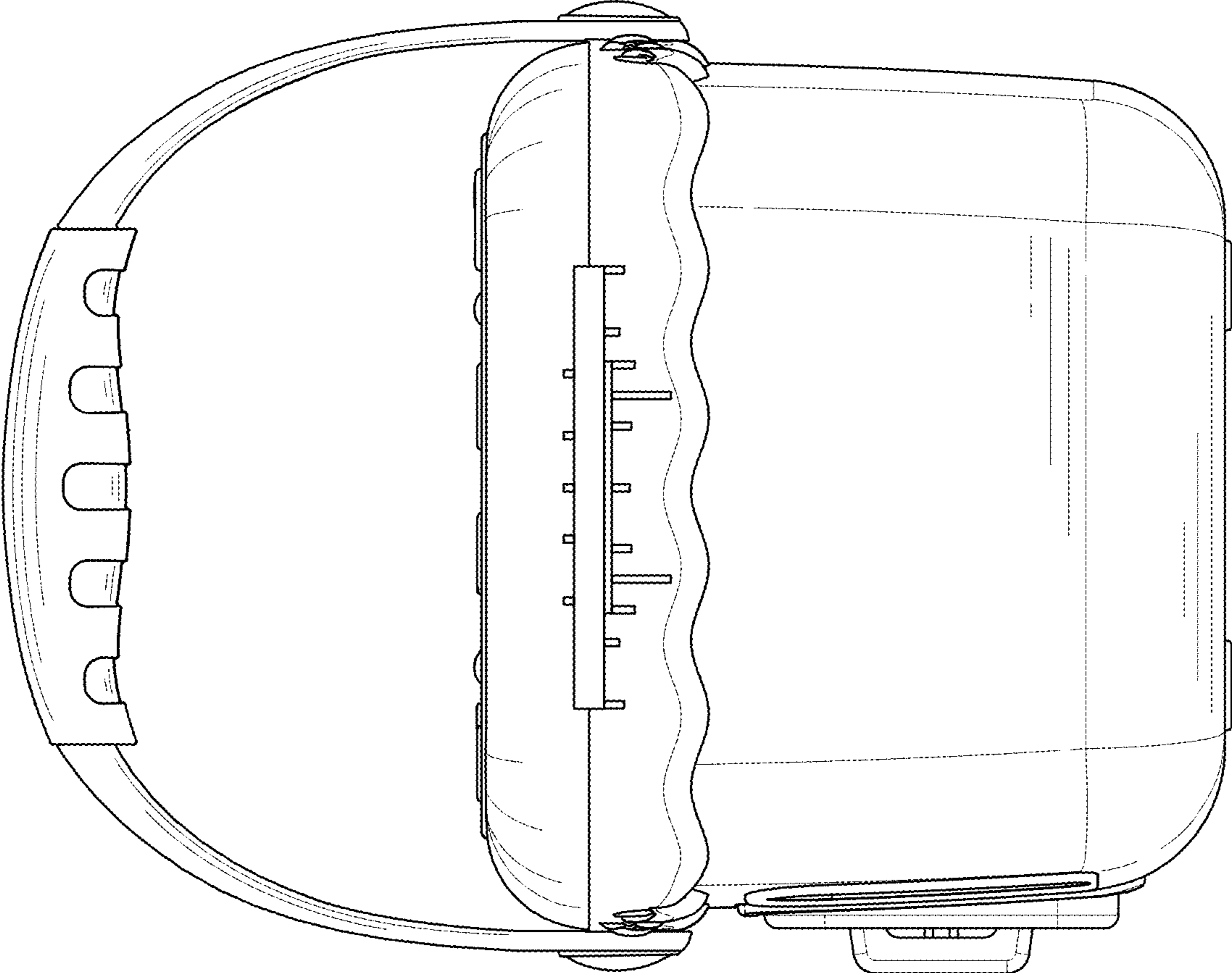


FIG. 5

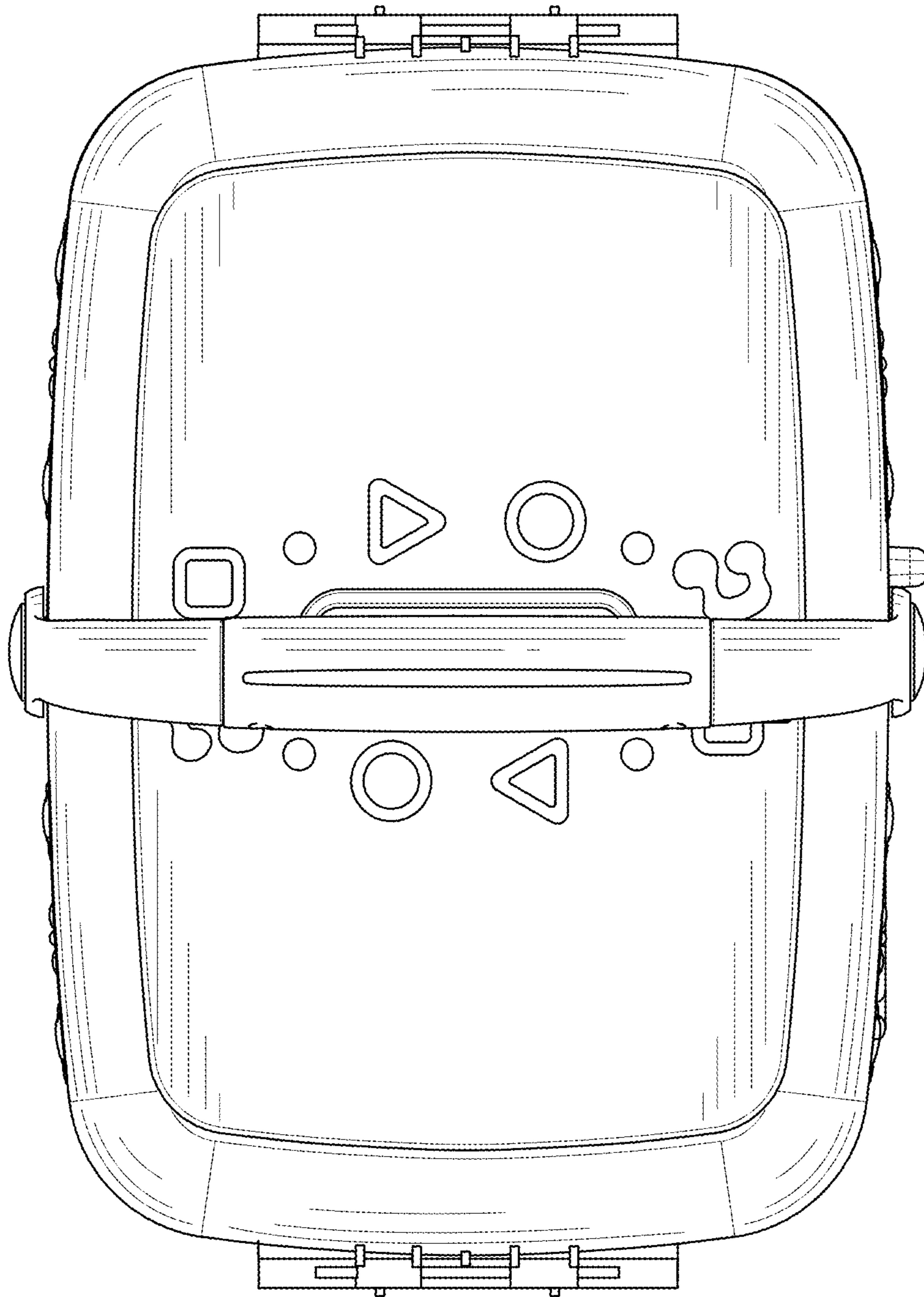


FIG. 6

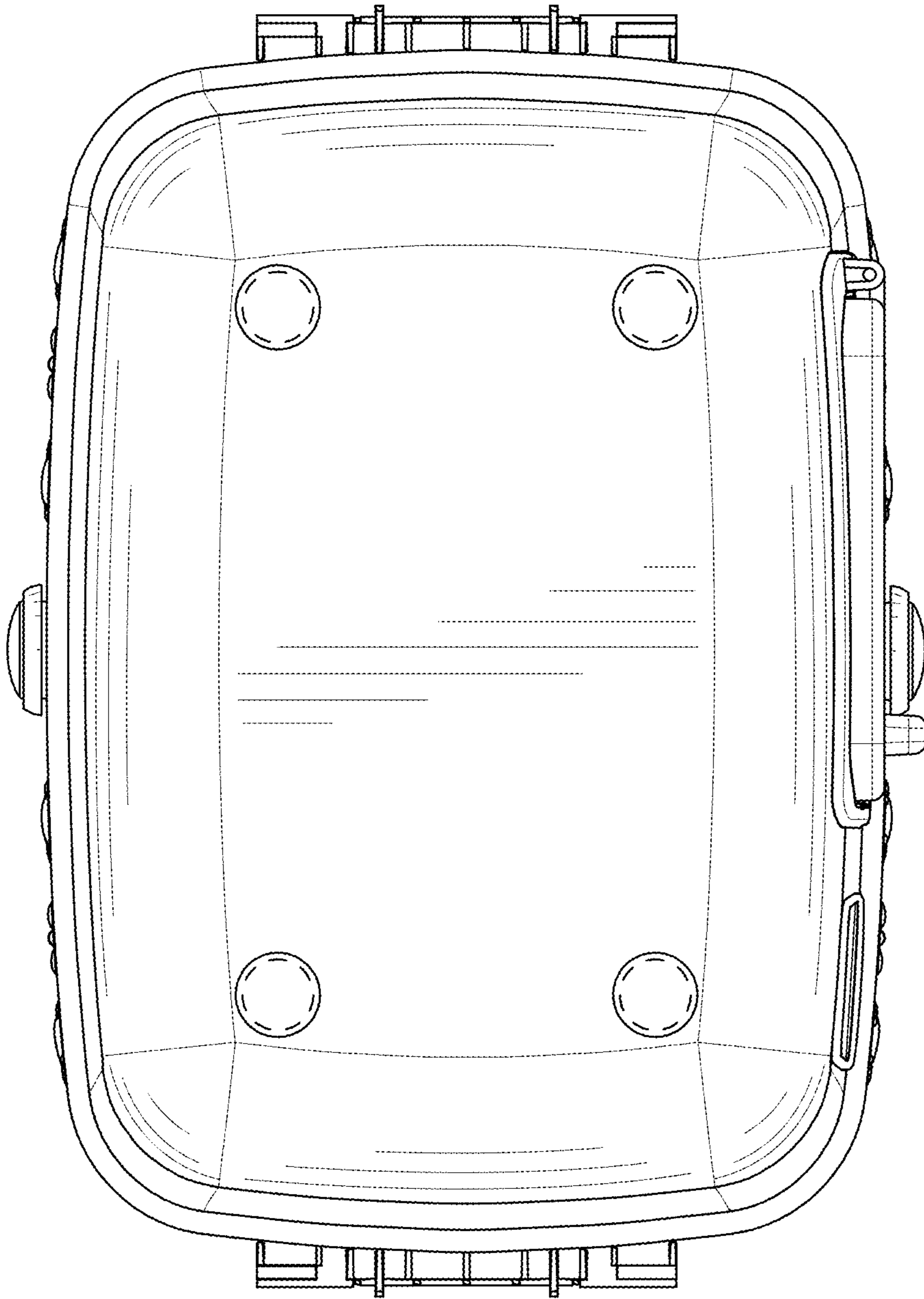


FIG. 7