



US00D954154S

(12) **United States Design Patent** (10) **Patent No.:** **US D954,154 S**
Xing et al. (45) **Date of Patent:** **** Jun. 7, 2022**

(54) **BUILDING BLOCK TOY SET**
(71) Applicant: **BEIJING XIAOMI MOBILE SOFTWARE CO., LTD.**, Beijing (CN)
(72) Inventors: **Zheng Xing**, Beijing (CN); **Yao Xi**, Beijing (CN); **Lei Zhang**, Beijing (CN); **Yang Zhang**, Beijing (CN); **Hu Zhang**, Beijing (CN)

D577,082 S * 9/2008 Hetman D21/533
D783,453 S * 4/2017 Klick D12/16.1
D828,455 S * 9/2018 Tatopoulos D21/436
D843,486 S * 3/2019 Alonso D21/445
D844,067 S * 3/2019 Alonso D21/445
D873,350 S * 1/2020 Alonso D21/445
D874,577 S * 2/2020 Alonso D21/445

(Continued)

FOREIGN PATENT DOCUMENTS

(73) Assignee: **BEIJING XIAOMI MOBILE SOFTWARE CO., LTD.**, Beijing (CN)

CN 303289132 S 7/2015
CN 303618310 S 3/2016
CN 303960526 S 12/2016

(Continued)

(**) Term: **15 Years**

OTHER PUBLICATIONS

(21) Appl. No.: **35/511,624**

(22) Filed: **Jan. 27, 2021**

Mi News Xiaomi, Xiaomi Jupiter Dawn Smart Building Blocks, published Oct. 23, 2020 on YouTube.com. Retrieved from the internet on Feb. 3, 2022 <URL: <https://youtu.be/qlGcfeCXqsY?t=40>> (Year: 2020).*

(80) **Hague Agreement Data**

Int. Filing Date: **Jan. 27, 2021**

Int. Reg. No.: **DM/213295**

Int. Reg. Date: **Jan. 27, 2021**

Int. Reg. Pub. Date: **Apr. 2, 2021**

Primary Examiner — Joseph Kukella

(74) *Attorney, Agent, or Firm* — Syncoda LLC; Feng Ma

(30) **Foreign Application Priority Data**

Aug. 28, 2020 (CN) 202030501866.7

(51) **LOC (13) Cl.** **21-01**

(52) **U.S. Cl.**
USPC **D21/447**

(58) **Field of Classification Search**

USPC D21/436-454, 484-505, 533

CPC A63H 17/002; A63H 27/00; A63H 27/005;
A63H 27/007; A63H 27/02; A63H
33/003; A63H 33/425

See application file for complete search history.

(57) **CLAIM**

The ornamental design for a building block toy set, as shown and described.

DESCRIPTION

1. Building block toy set

1.1 : Front

1.2 : Back

1.3 : Left

1.4 : Right

1.5 : Top

1.6 : Bottom

1.7 : Perspective

1.8 : Perspective

1.9 : Perspective

1.10 : Perspective

1.11 : Perspective

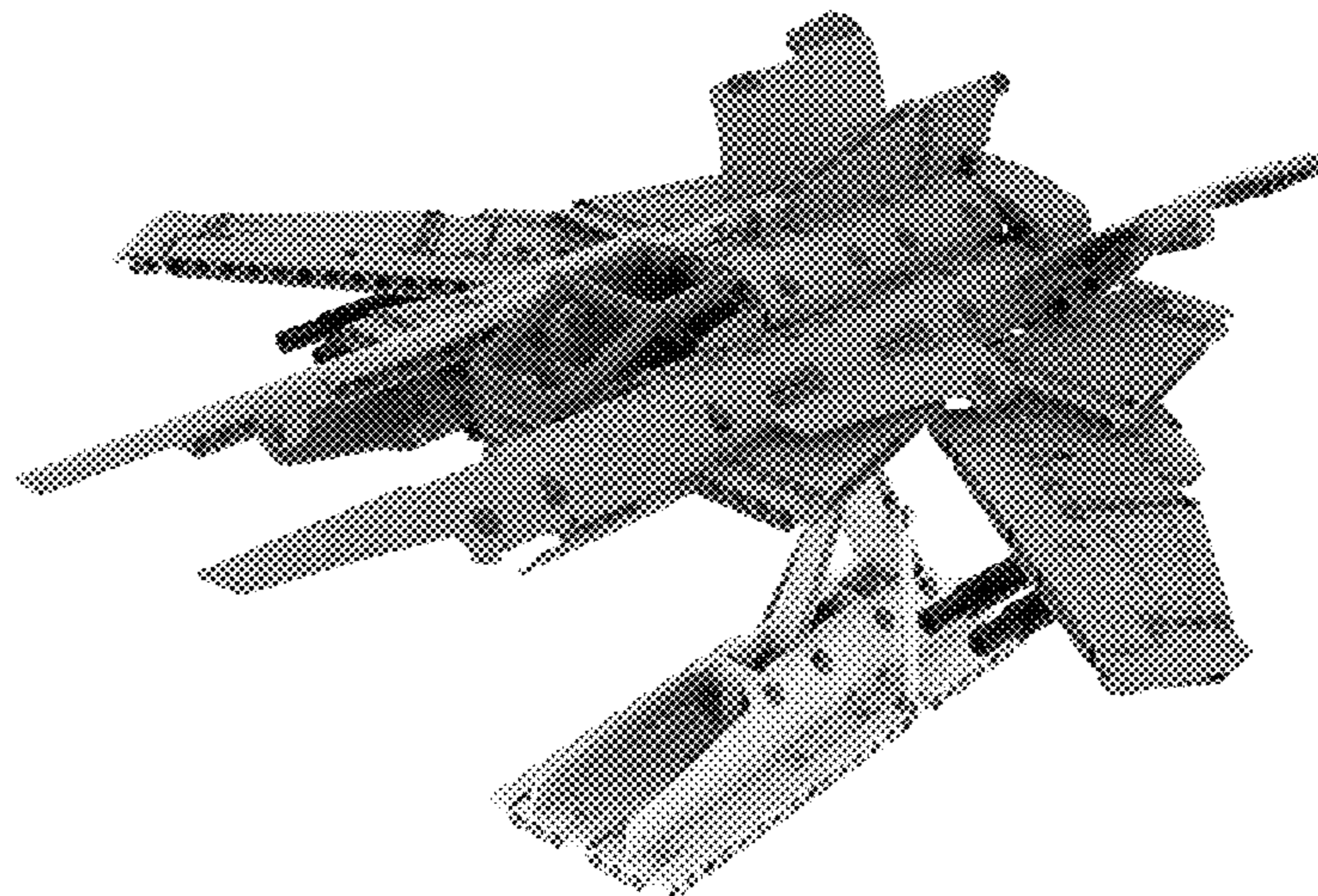
(56) **References Cited**

U.S. PATENT DOCUMENTS

D542,708 S * 5/2007 Lawrence D11/163

D544,549 S * 6/2007 Glatz D21/447

1 Claim, 11 Drawing Sheets



(56)

References Cited

U.S. PATENT DOCUMENTS

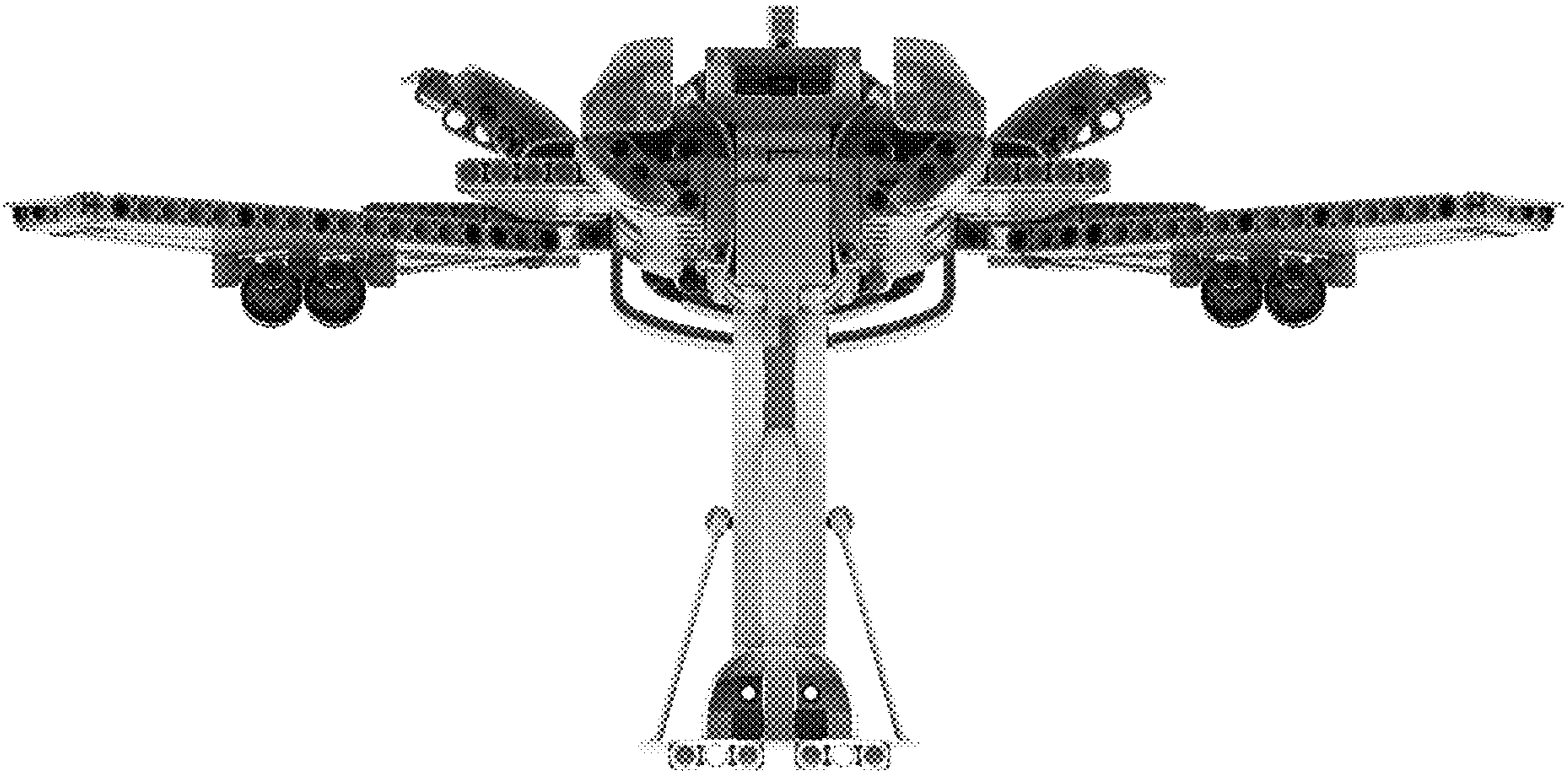
D874,578 S * 2/2020 Alonso D21/445
D875,183 S * 2/2020 Alonso D21/445

FOREIGN PATENT DOCUMENTS

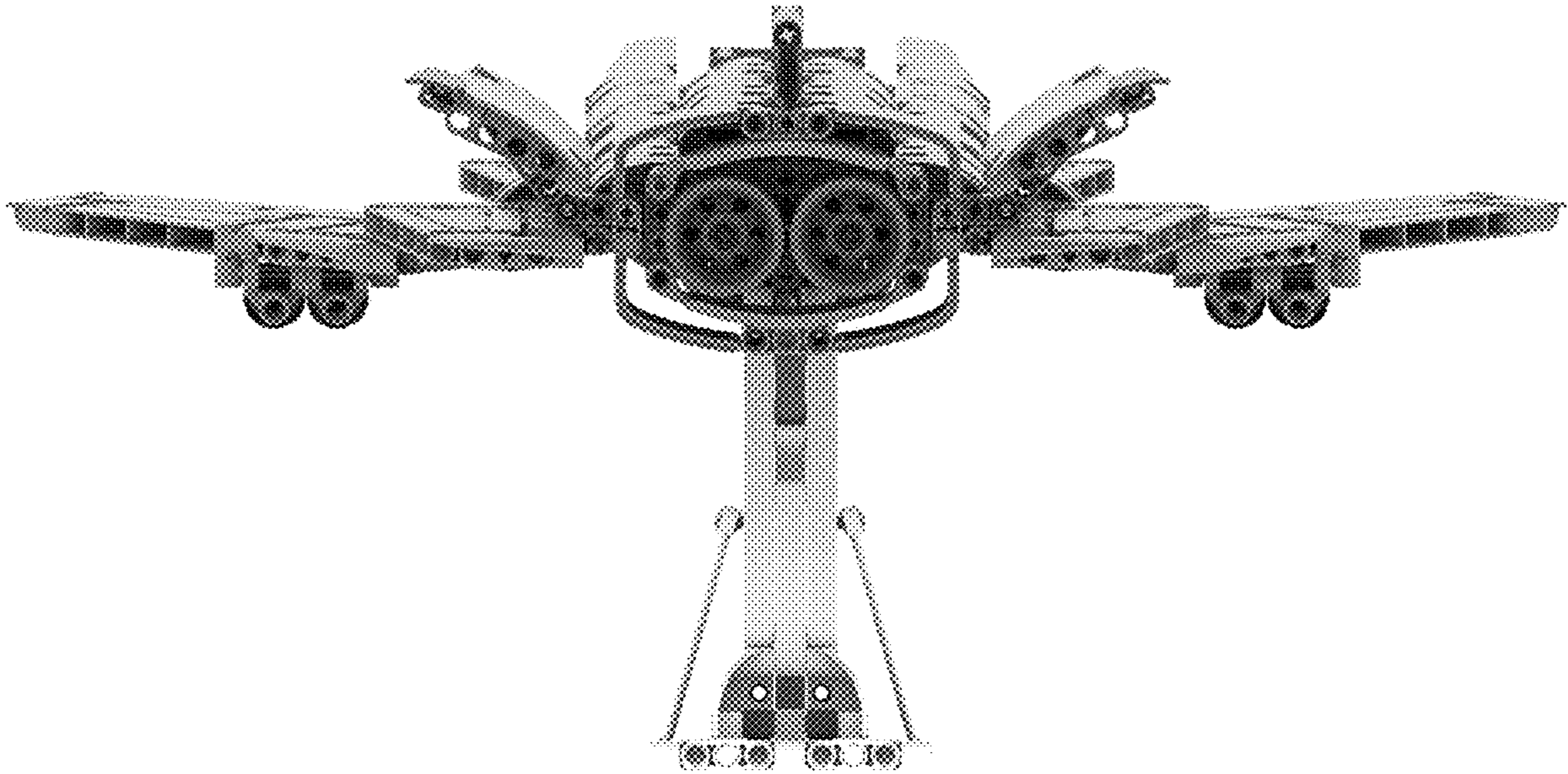
CN 303970476 S 12/2016
CN 304699952 S 6/2018
CN 304934286 S 12/2018
CN 305081932 S 3/2019
CN 305189564 S 5/2019
CN 305861403 S 6/2020
JP D1541230 S 1/2016

* cited by examiner

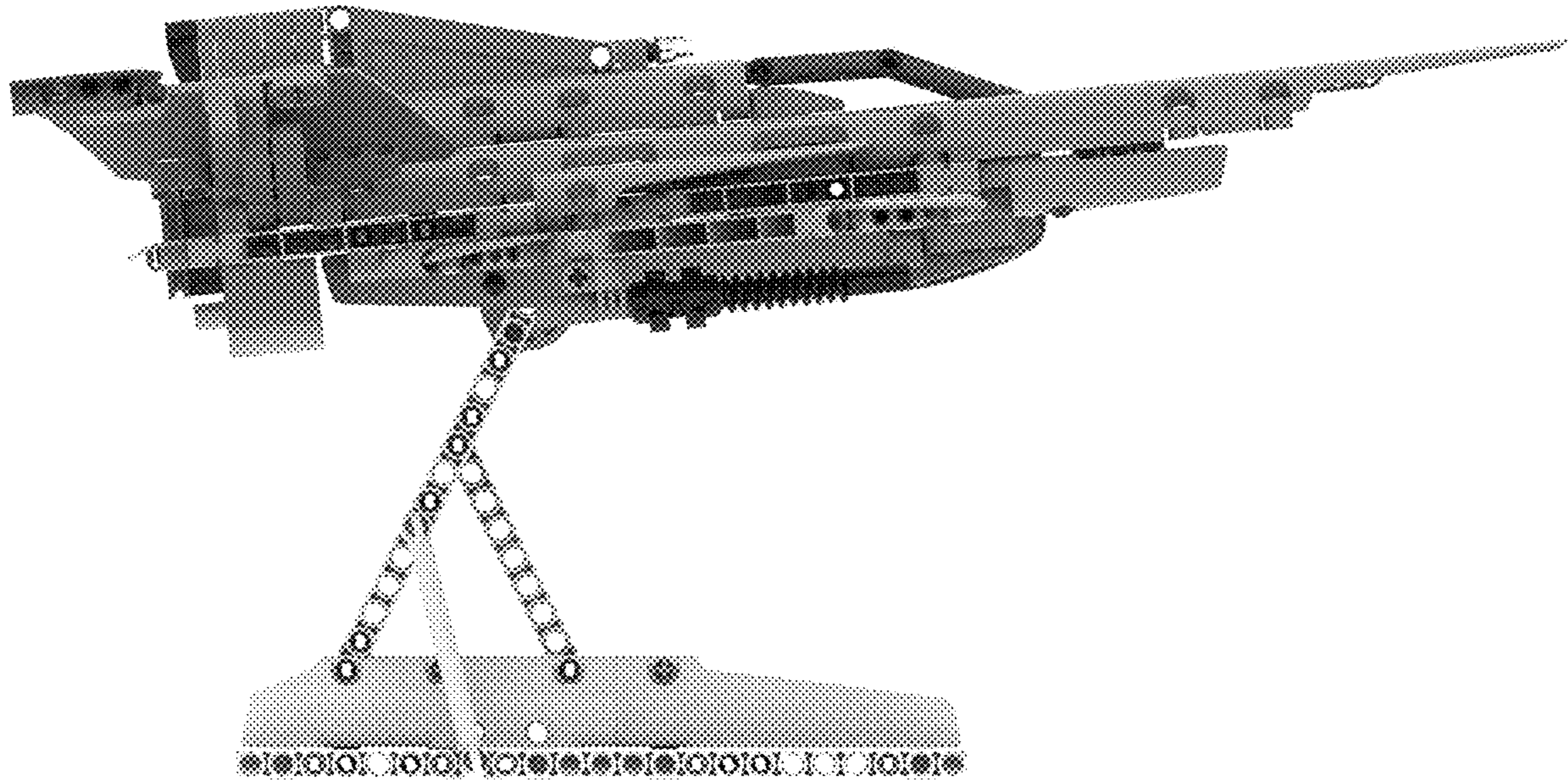
1.1



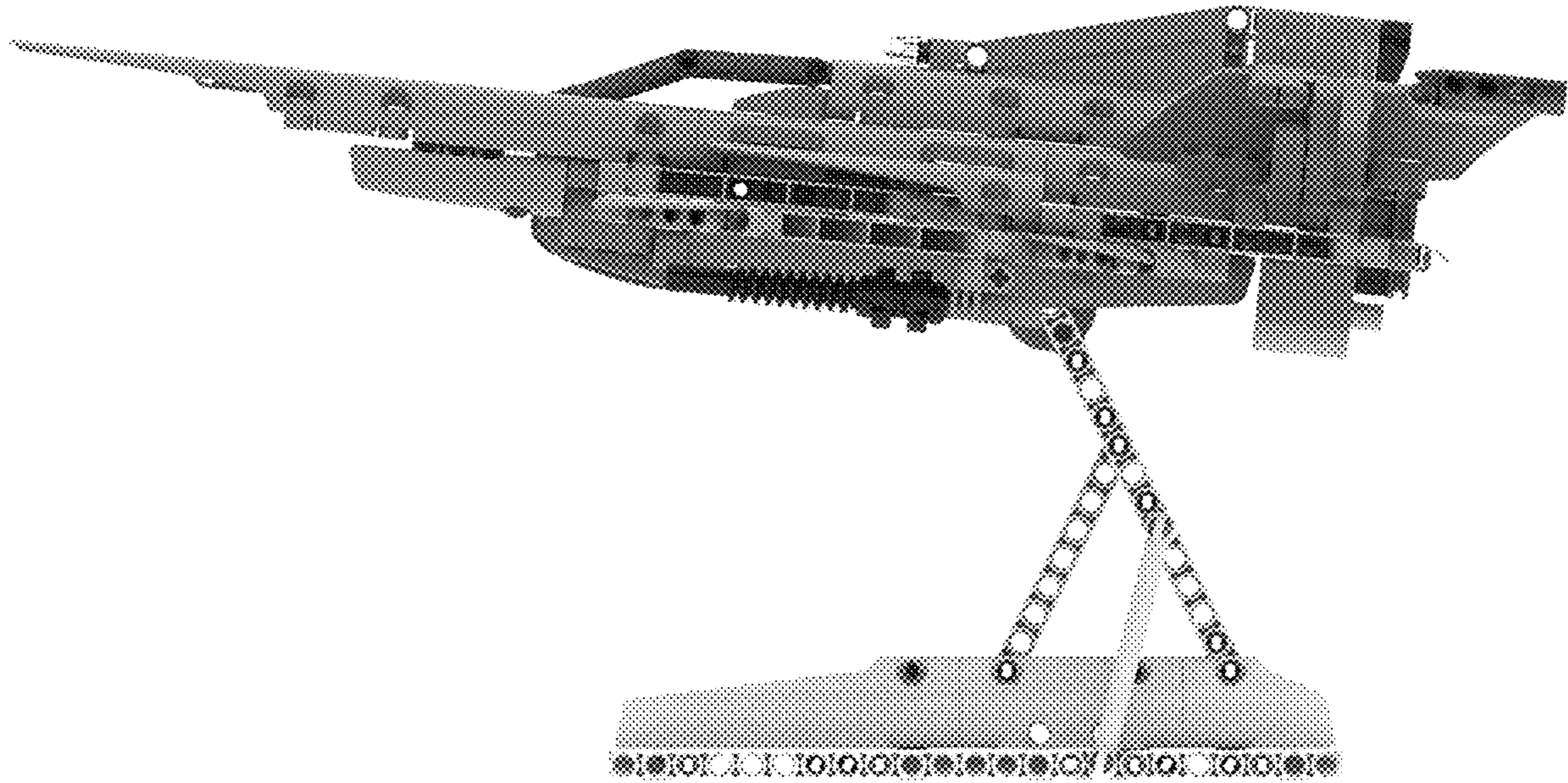
1.2



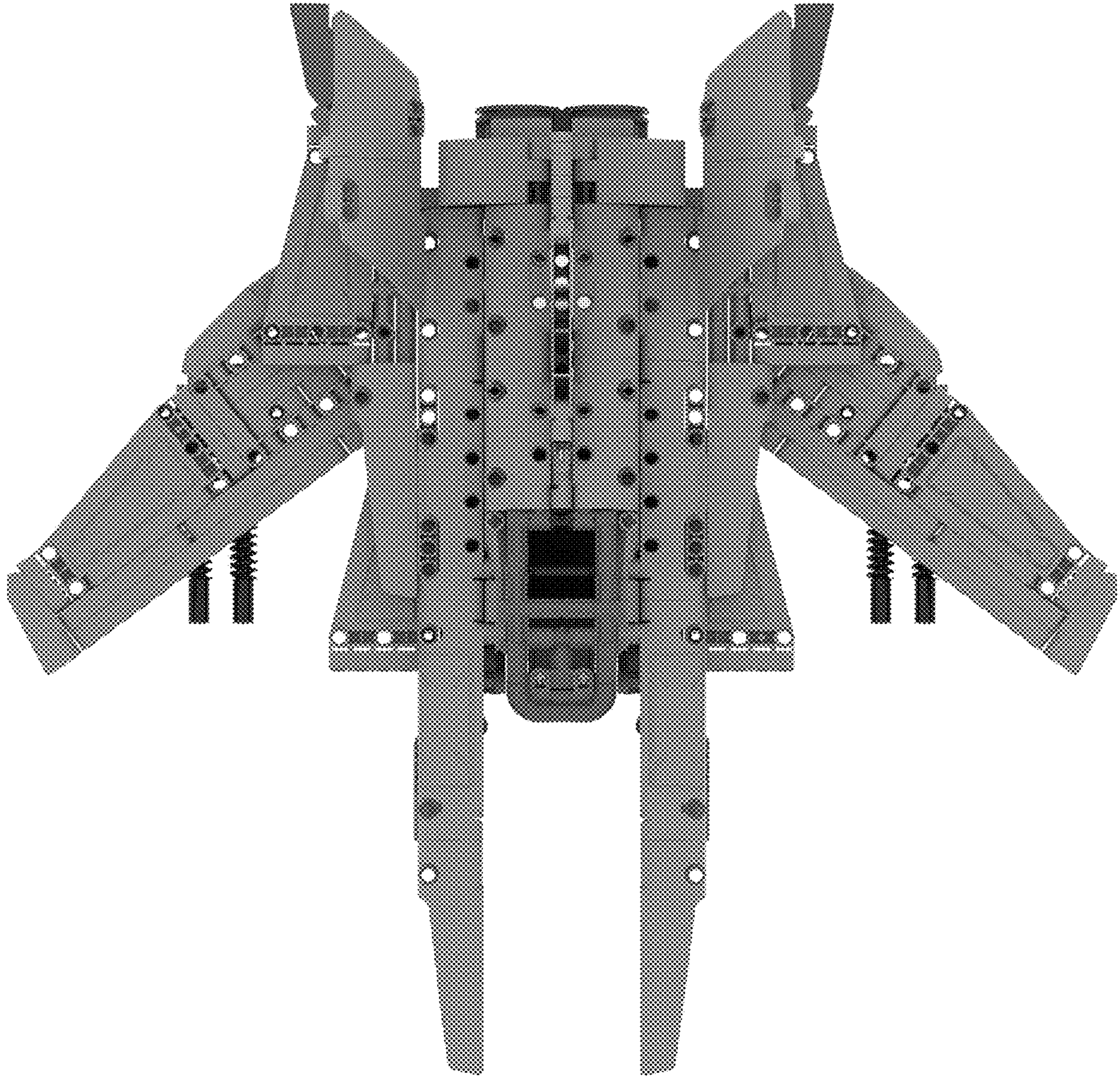
1.3



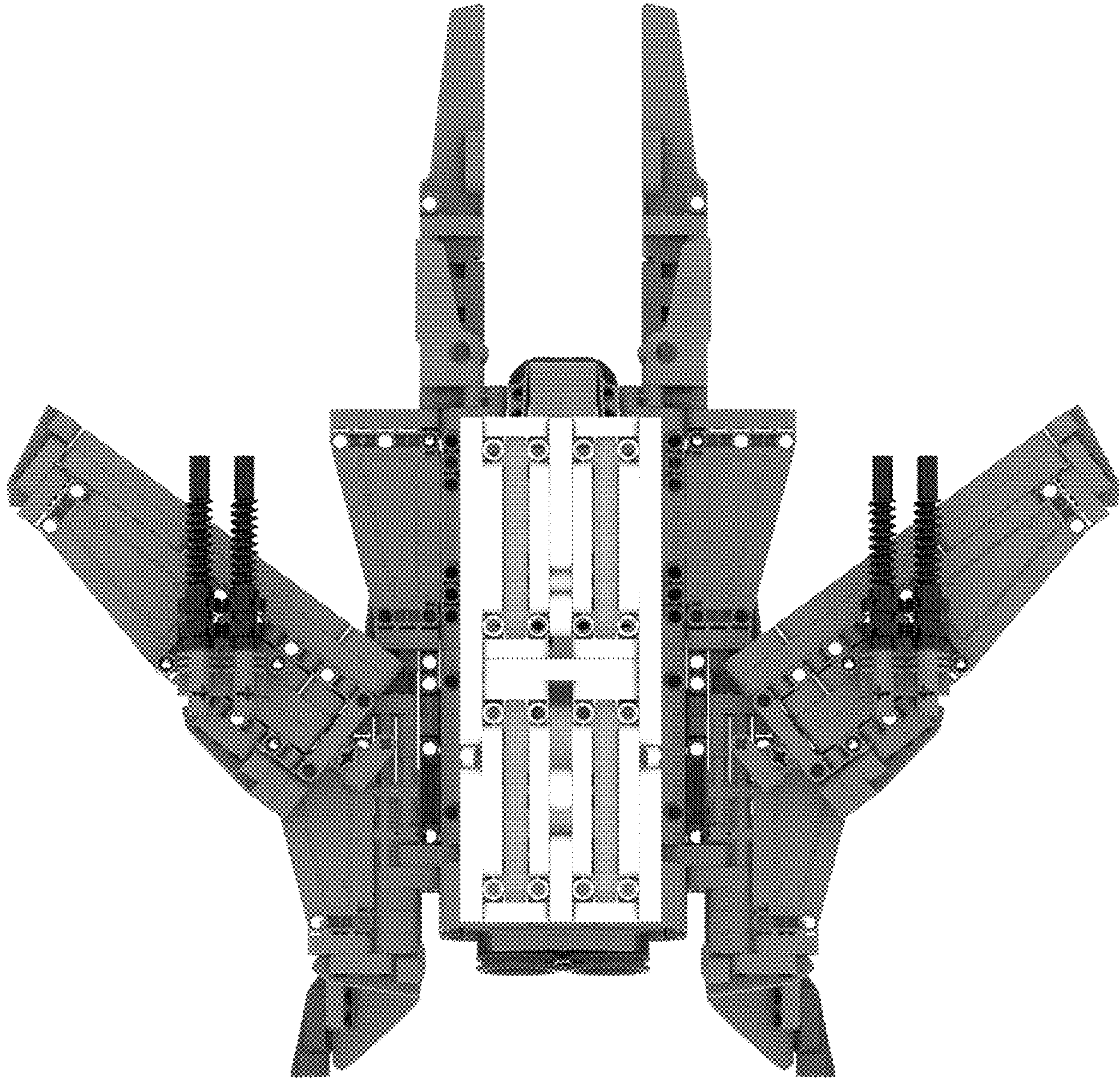
1.4



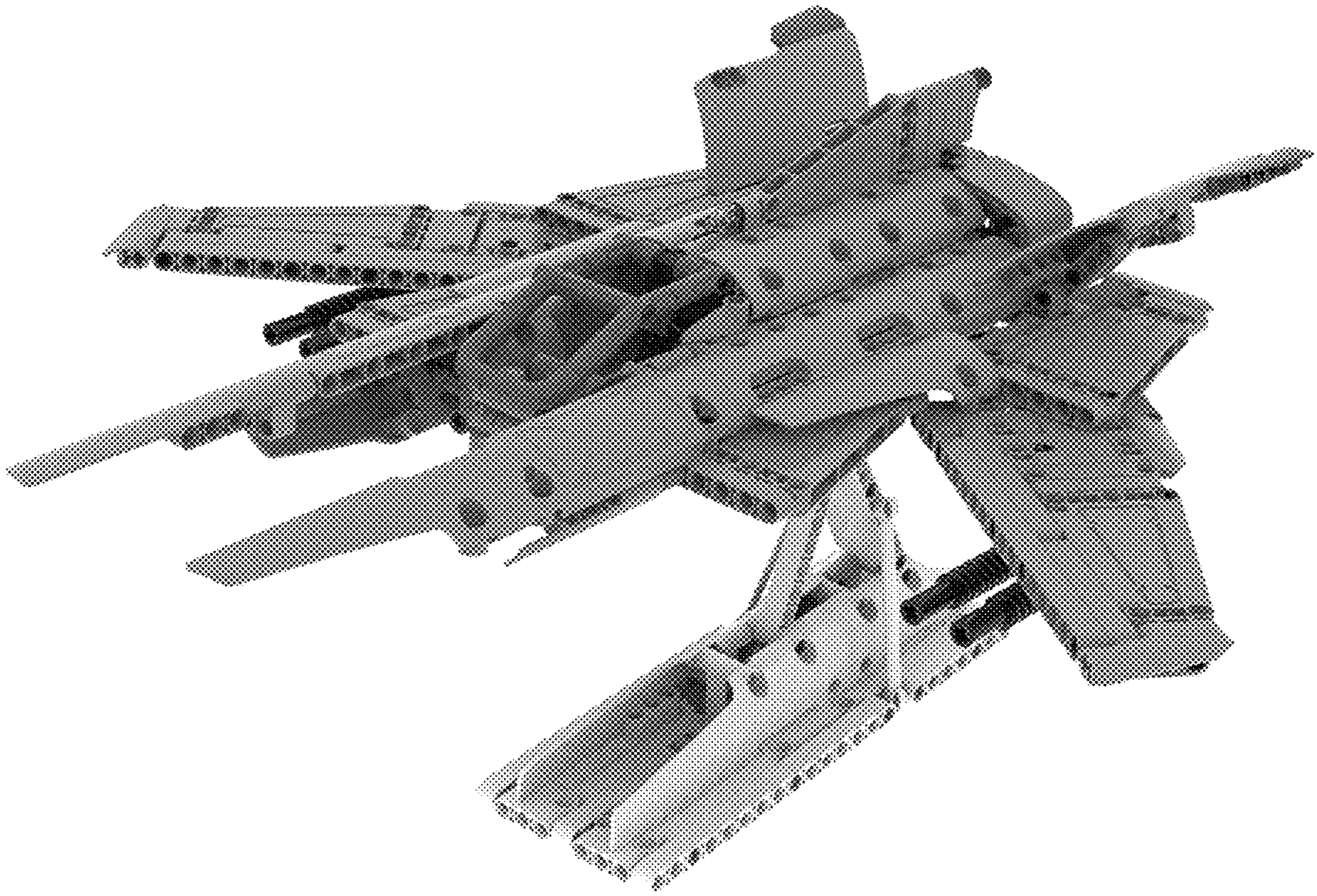
1.5



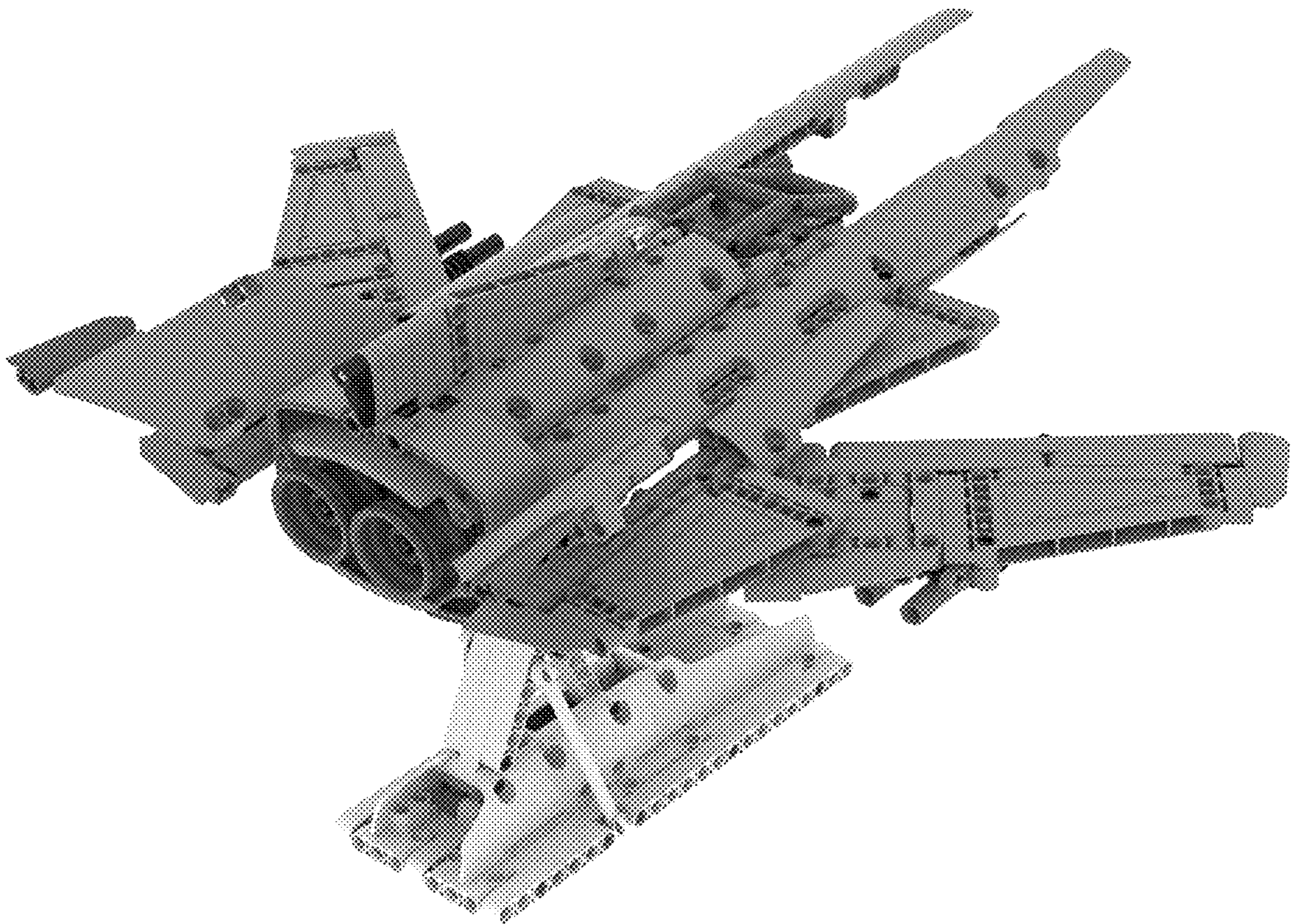
1.6



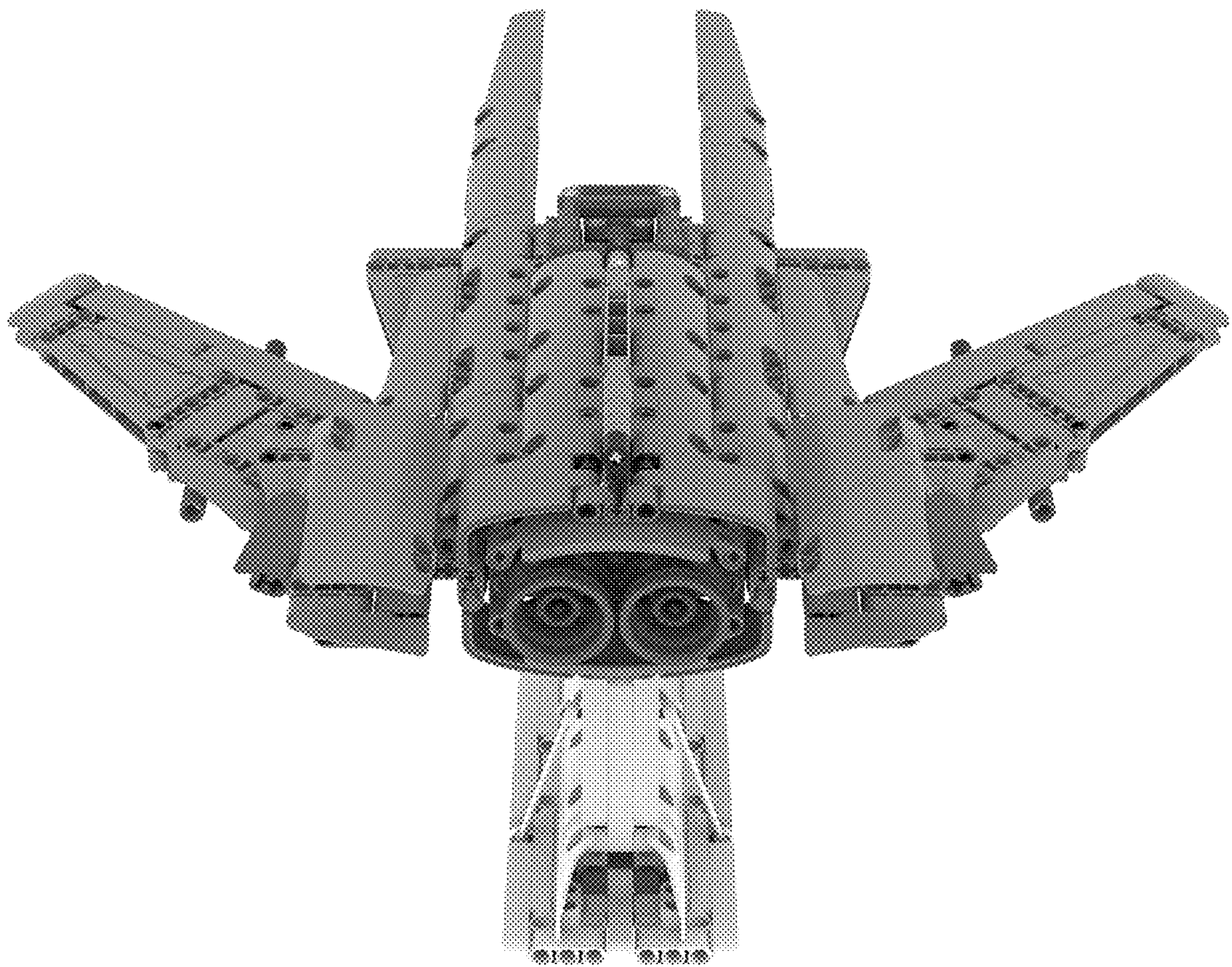
1.7



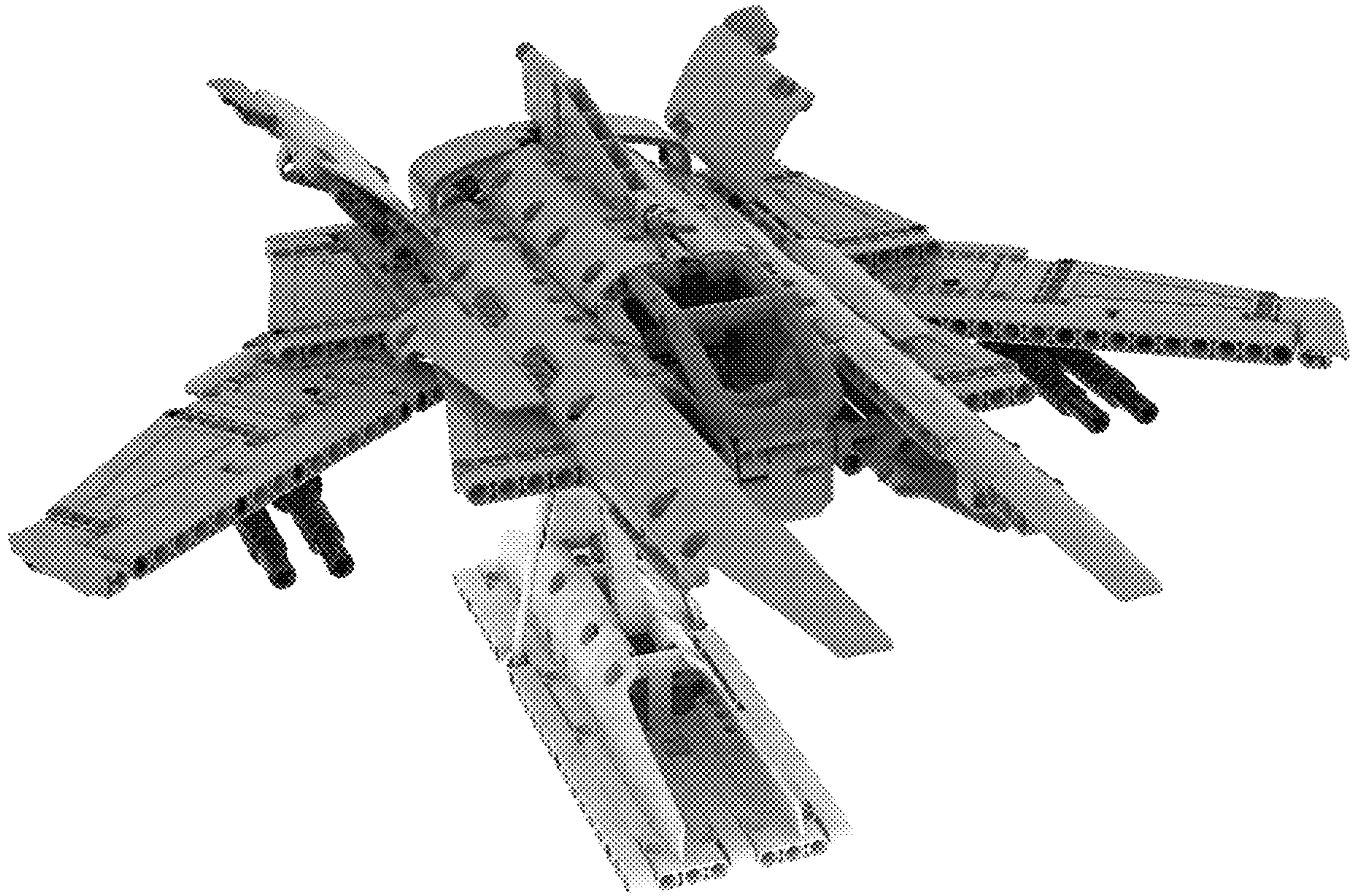
1.8



1.9



1.10



1.11

