



US00D954151S

(12) **United States Design Patent**  
LV

(10) **Patent No.:** US D954,151 S  
(45) **Date of Patent:** \*\* Jun. 7, 2022

(54) **PAIR OF VIDEO GAME CONTROLLERS**

(71) Applicant: **Shenzhen Yiqianmi Technology Co., Ltd.**, Guangdong (CN)

(72) Inventor: **Kunjiang LV**, Guangdong (CN)

(73) Assignee: **Shenzhen Yiqianmi Technology Co., Ltd.**, Guangdong (CN)

(\*\*) Term: **15 Years**

(21) Appl. No.: **29/768,607**

(22) Filed: **Jan. 29, 2021**

(51) **LOC (13) Cl.** ..... **21-01**

(52) **U.S. Cl.**  
USPC ..... **D21/333**

(58) **Field of Classification Search**  
USPC ..... D14/126, 129, 218, 407; D21/320,  
D21/324-333

(Continued)

(56) **References Cited**

**U.S. PATENT DOCUMENTS**

D642,550 S \* 8/2011 Kawano ..... D14/126  
D665,760 S \* 8/2012 Chiu ..... D14/126

(Continued)

**FOREIGN PATENT DOCUMENTS**

EM 008421283-0001 \* 2/2021  
GB 9008261945-0001 \* 11/2020  
GB 6116438 \* 2/2021

**OTHER PUBLICATIONS**

ALIENGT Joypad Controller, first available Aug. 25, 2020, amazon.com [online], site visited Aug. 31, 2021], Available from internet URL: <https://amzn.to/3mLkCOB> (Year: 2020) (Year: 2020).\*

(Continued)

*Primary Examiner* — Garth Rademaker

*Assistant Examiner* — Salamah Jordan

(74) *Attorney, Agent, or Firm* — ScienBiziP, P.C.

(57) **CLAIM**

The ornamental design for a pair of video game controllers, as shown and described.

**DESCRIPTION**

FIG. 1 is a front, right, and top perspective view of a left controller of a pair of video game controllers, showing my design.

FIG. 2 is a front elevation view thereof.

FIG. 3 is a rear elevation view thereof.

FIG. 4 is a left side elevation view thereof.

FIG. 5 is a right side elevation view thereof.

FIG. 6 is a top plan view thereof.

FIG. 7 is a bottom plan view thereof.

FIG. 8 is a front, right, and top perspective view of a right controller of a pair of video game controllers, showing my design.

FIG. 9 is a front elevation view of the right controller of the pair of video game controllers in FIG. 8.

FIG. 10 is a rear elevation view of the right controller of the pair of video game controllers in FIG. 8.

FIG. 11 is a left side elevation view of the right controller of the pair of video game controllers in FIG. 8.

FIG. 12 is a right side elevation view of the right controller of the pair of video game controllers in FIG. 8.

FIG. 13 is a top plan view of the right controller of the pair of video game controllers in FIG. 8.

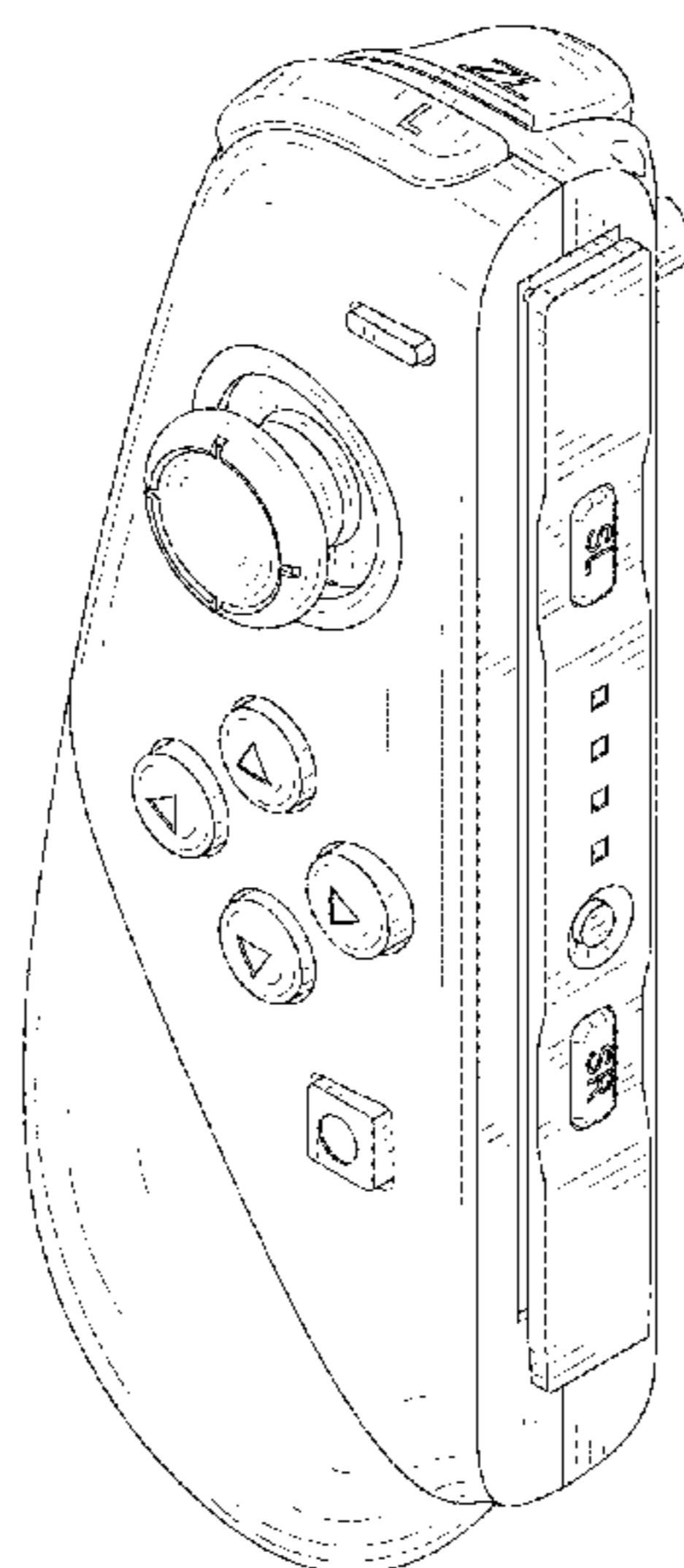
FIG. 14 is a bottom plan view of the right controller of the pair of video game controllers in FIG. 8; and,

FIG. 15 is a perspective view of the left and right video game controllers paired together, shown in position of use.

The broken lines in the figures illustrate the portions of a pair of video game controllers that form no part of the claimed design.

The broken lines screen in FIG. 15 illustrate environmental subject matter that form no part of the claimed design.

**1 Claim, 15 Drawing Sheets**



(58) **Field of Classification Search**

CPC ..... A63F 13/02; A63F 13/06; A63F 13/98;  
A63F 9/24; A63F 9/0291; G06F 3/0304;  
G06F 3/0338

See application file for complete search history.

(56) **References Cited**

U.S. PATENT DOCUMENTS

D699,697	S	*	2/2014	Moon	.....	D14/126
D730,325	S	*	5/2015	Poojary	.....	D14/218
D872,165	S	*	1/2020	Li	.....	D16/230
D875,180	S	*	2/2020	Wang	.....	D21/333
D876,550	S	*	2/2020	Ehara	.....	D21/333
D882,692	S		4/2020	Tsuchiya et al.		
D882,693	S	*	4/2020	Ehara	.....	D21/333
D884,796	S	*	5/2020	Zhou	.....	D21/333
D897,441	S		9/2020	Yang		
D912,153	S	*	3/2021	Ehara	.....	D21/333
D928,883	S	*	8/2021	Zhou	.....	D21/333
D928,884	S	*	8/2021	Zhou	.....	D21/333
2008/0015017	A1	*	1/2008	Ashida	.....	A63F 13/235

OTHER PUBLICATIONS

FUNLAB Wireless Controller, first available Jan. 17 2021, amazon.com [online], site visited Aug. 31, 2021], Available from internet URL:<https://amzn.to/3kDUZfP> (Year: 2020) (Year: 2020).\*

Switch Controllers, first available Jun. 17, 2020, amazon.com [online], site visited Aug. 31, 2021], Available from internet URL:<https://amzn.to/3IJyqZv> (Year: 2020) (Year: 2020).\*

\* cited by examiner

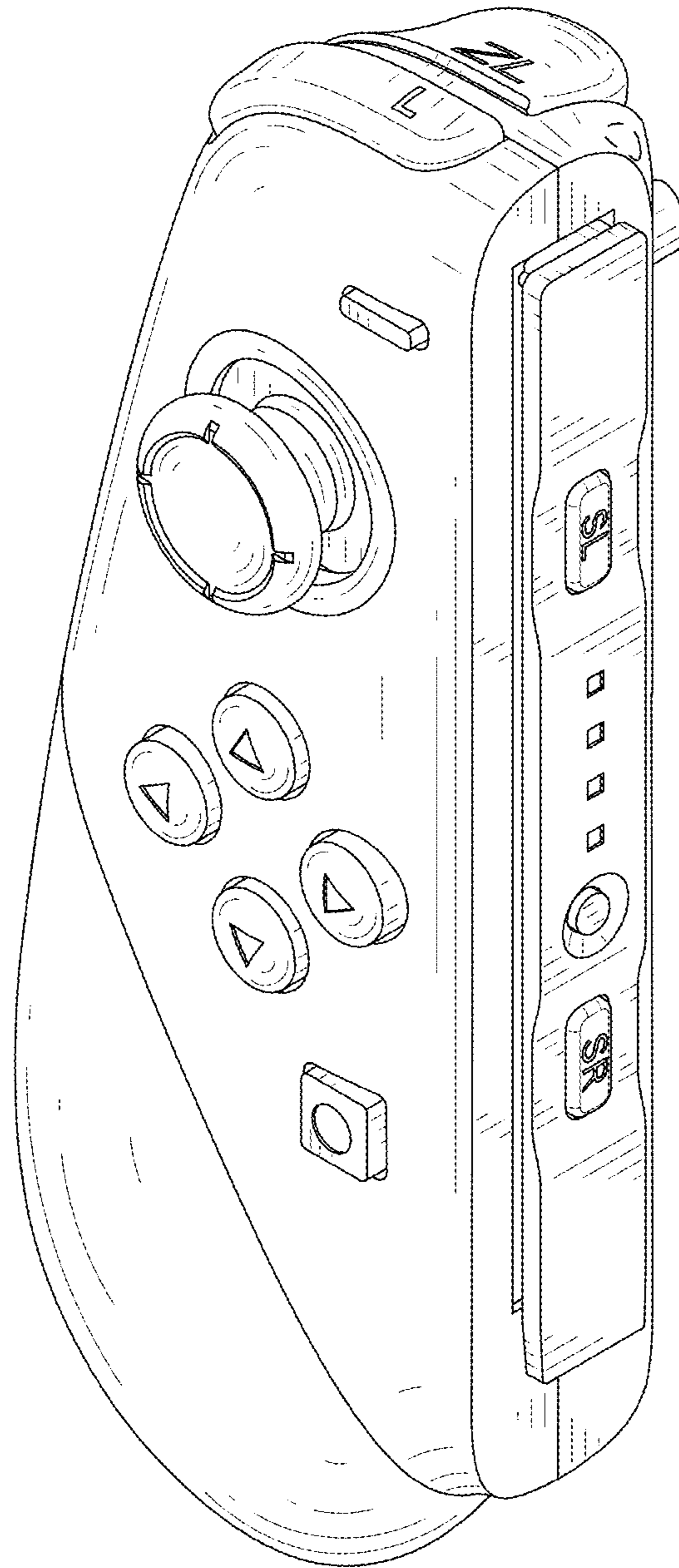


FIG. 1

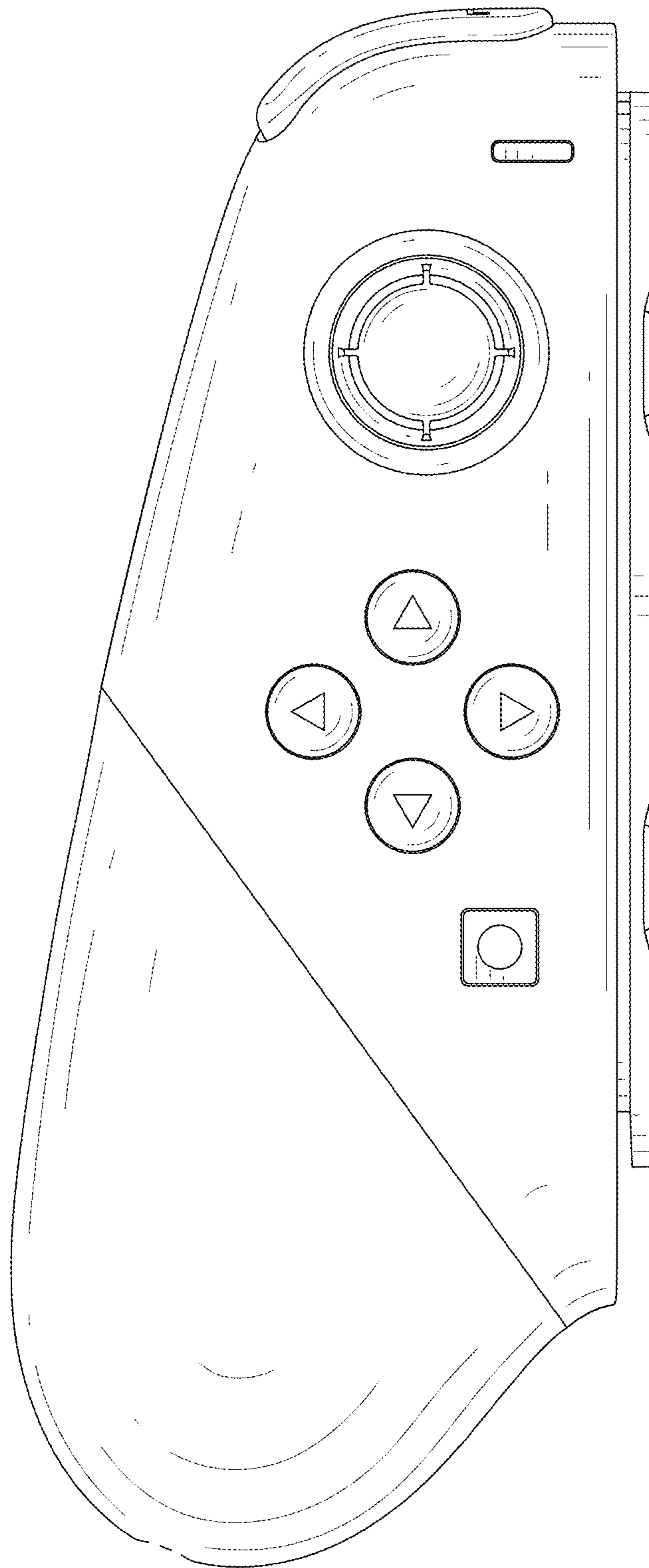


FIG.2

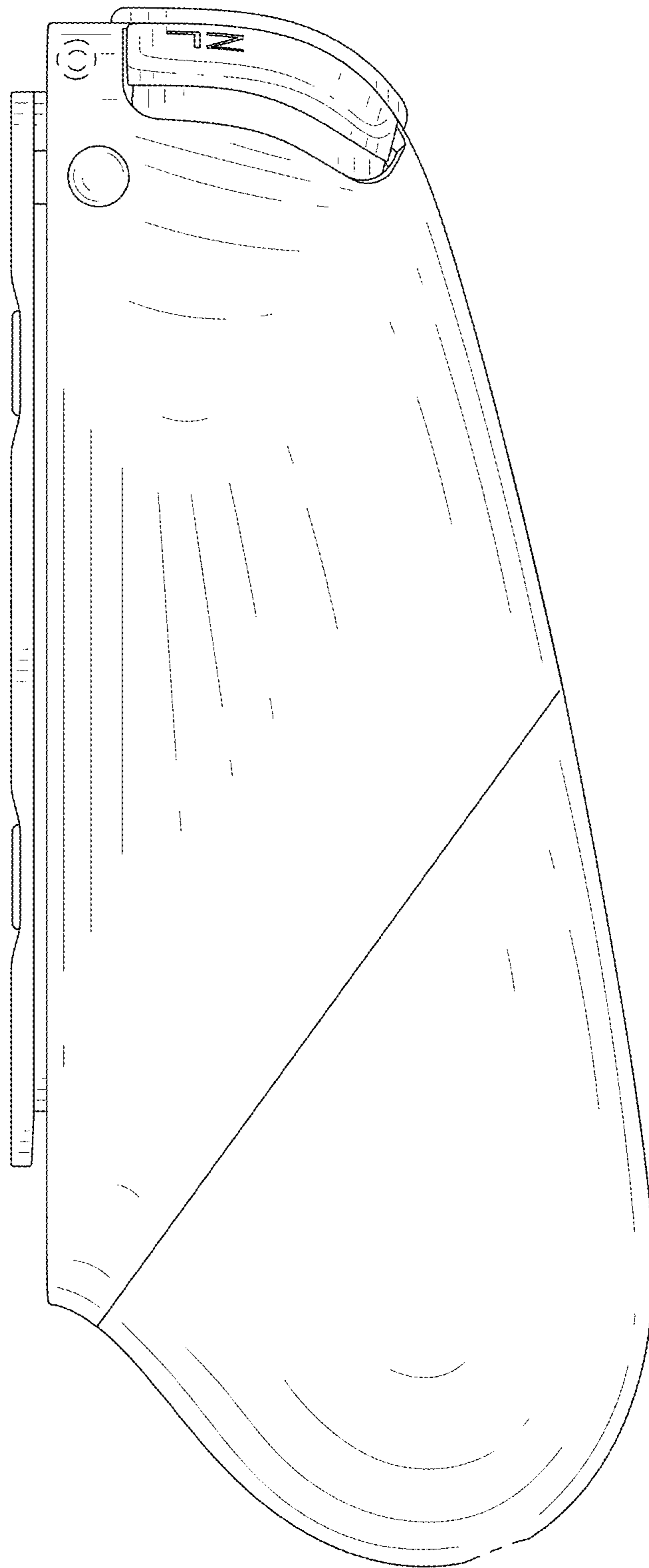


FIG.3

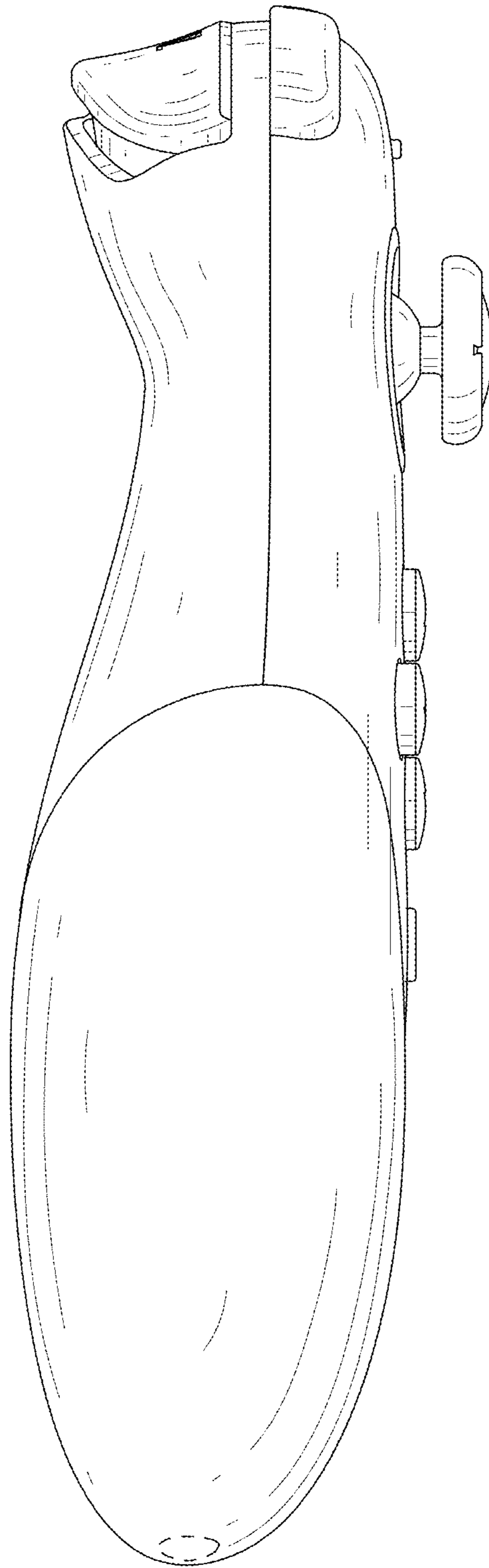


FIG.4

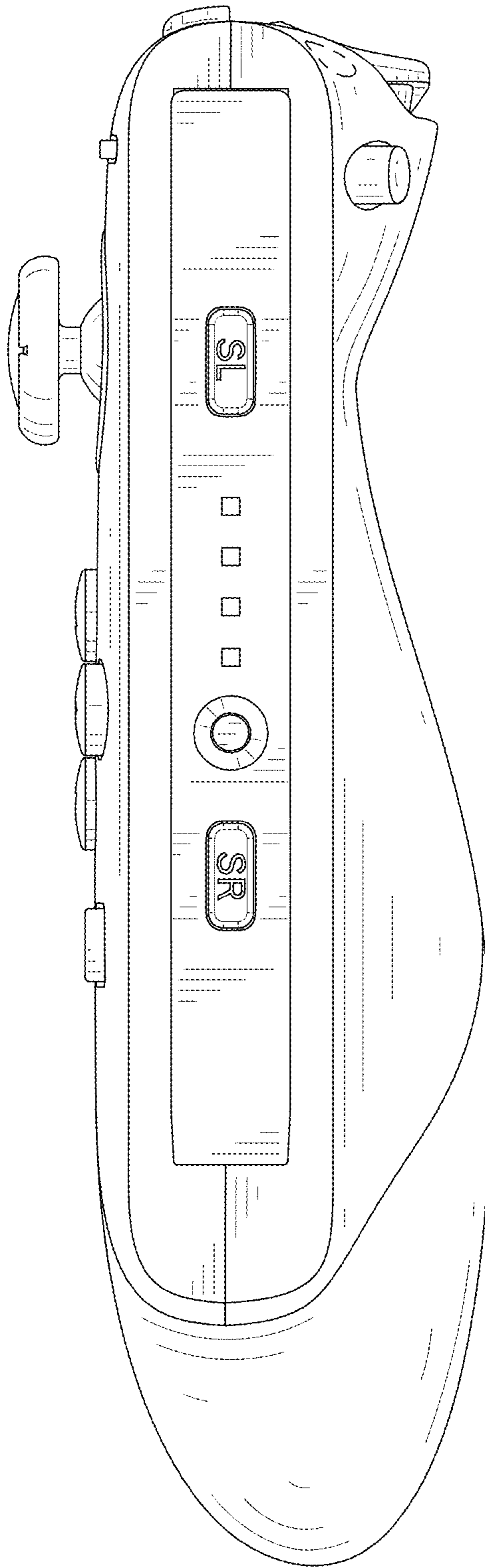


FIG.5

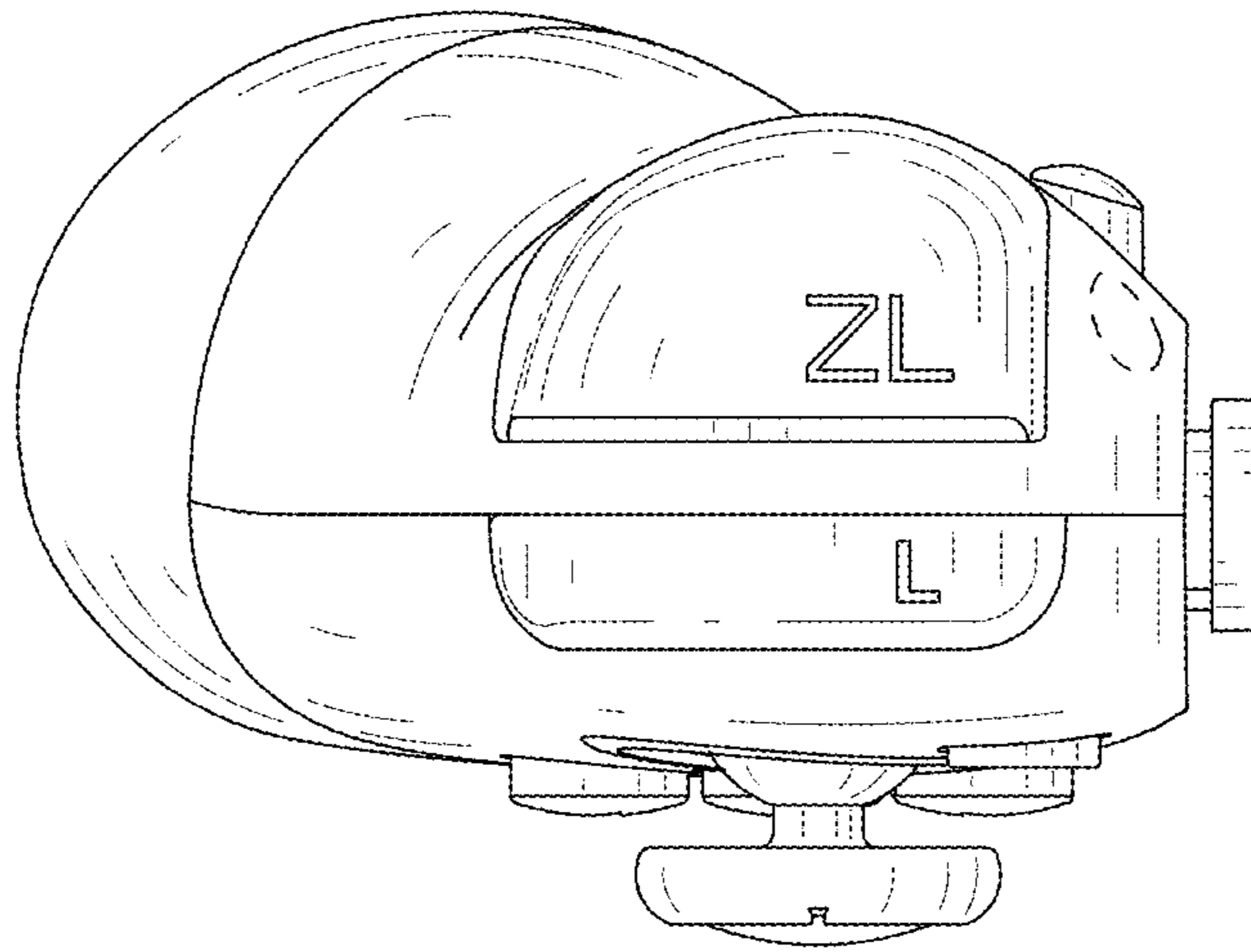


FIG.6



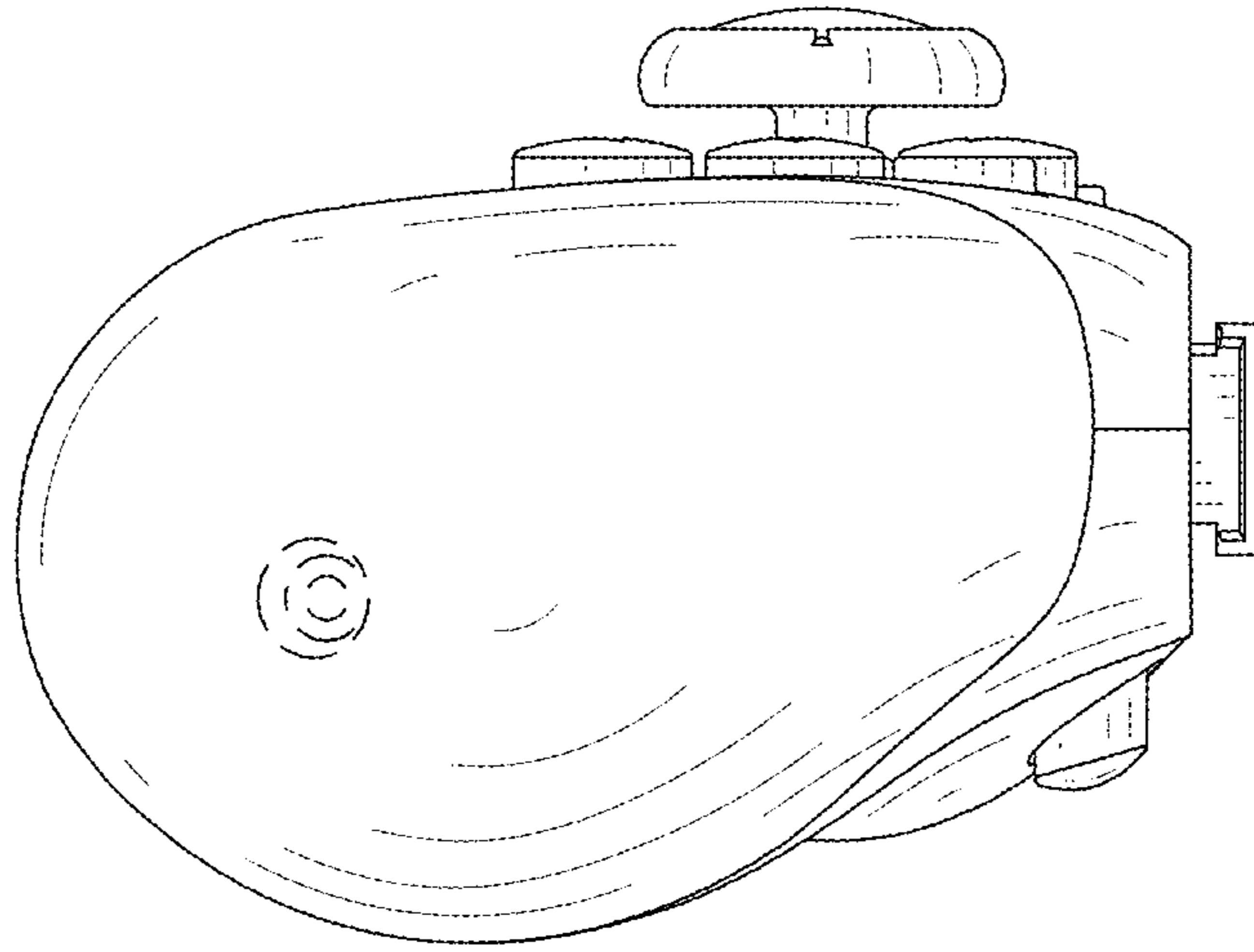


FIG.7

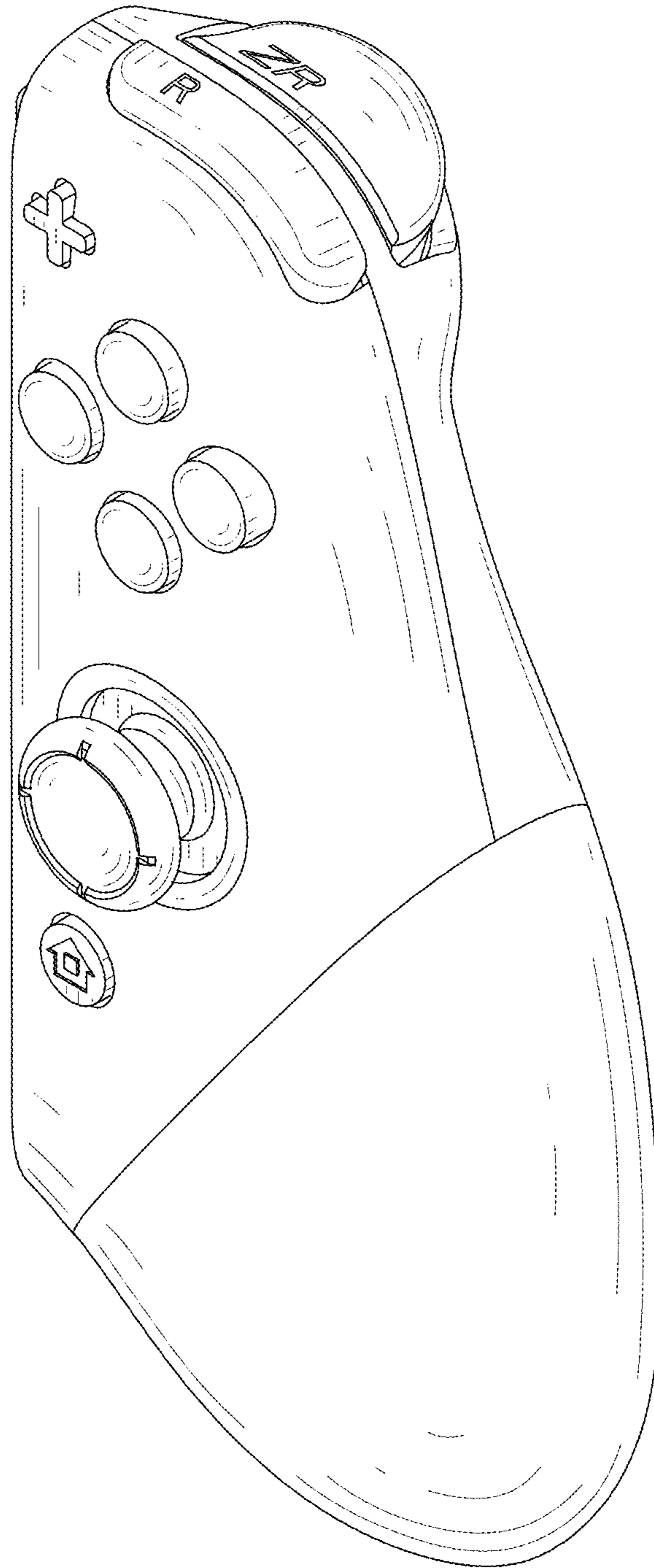


FIG.8

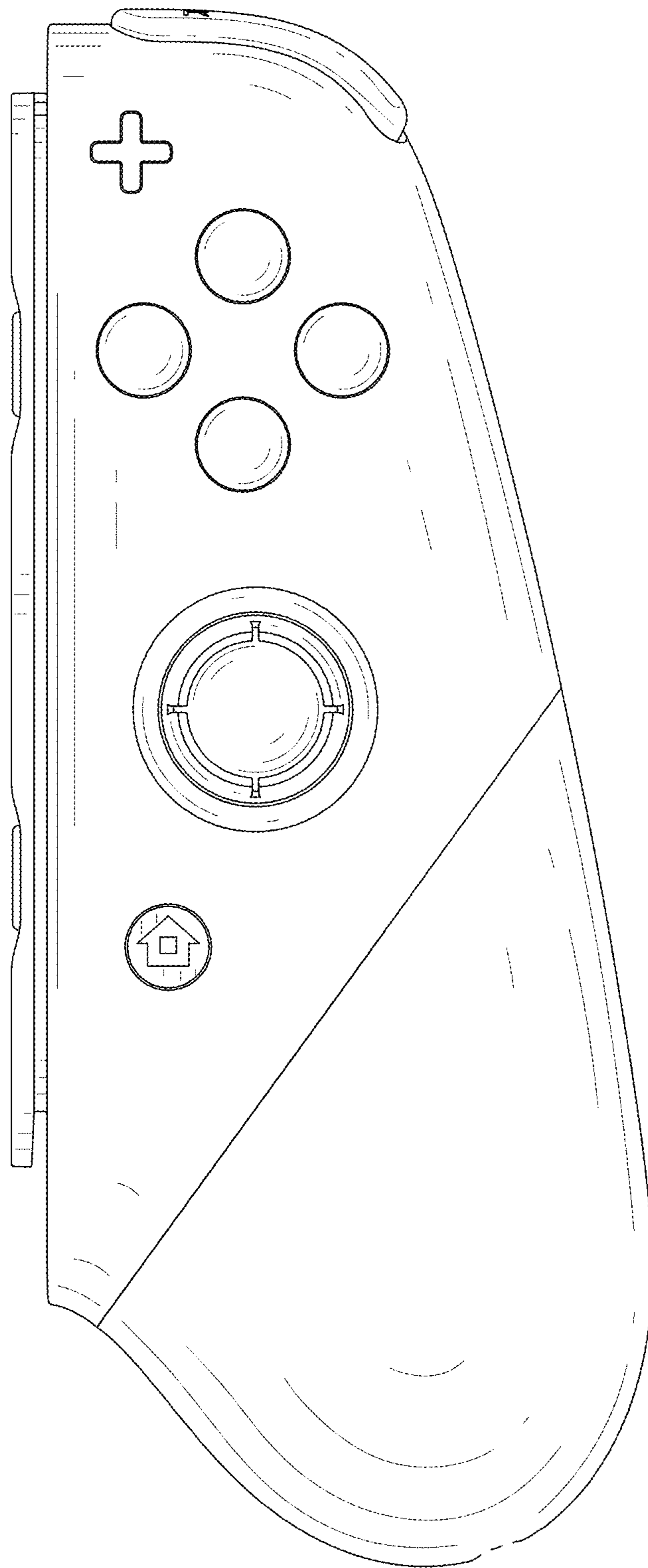


FIG.9

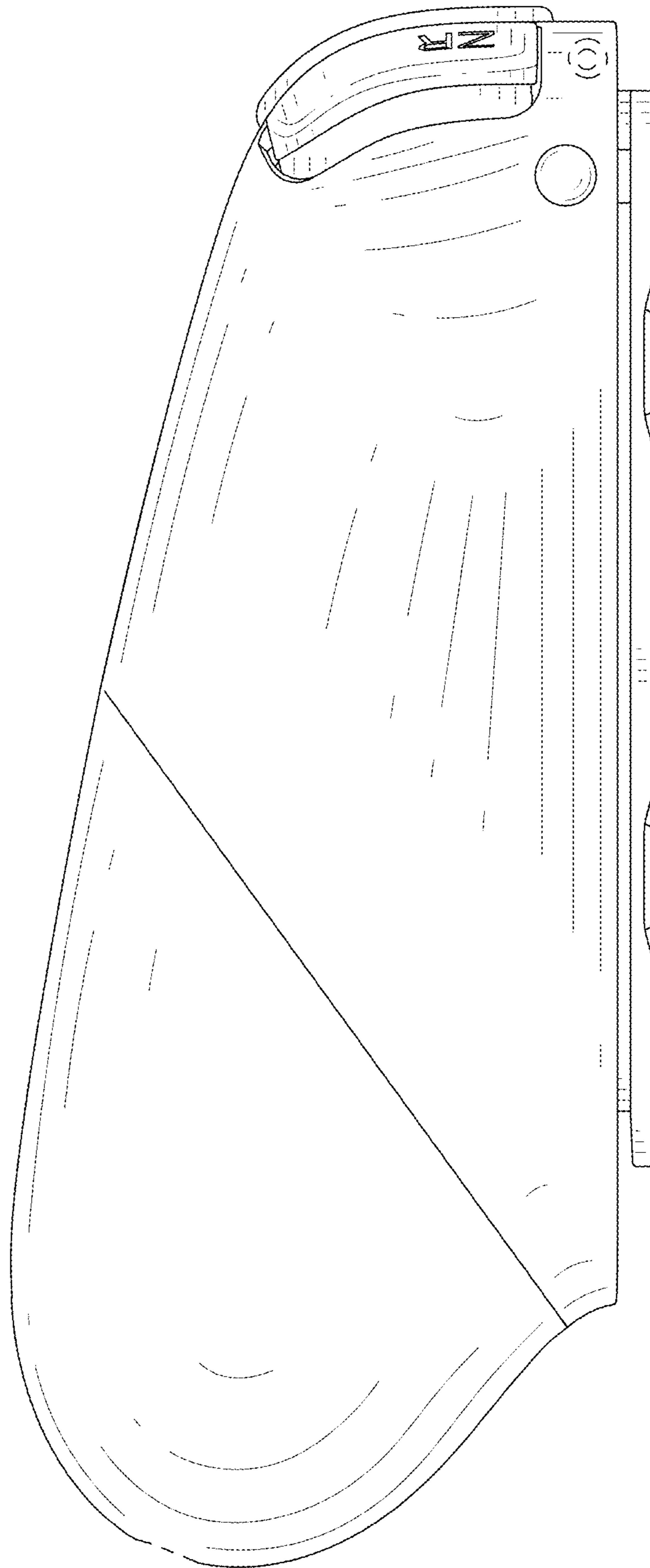


FIG. 10

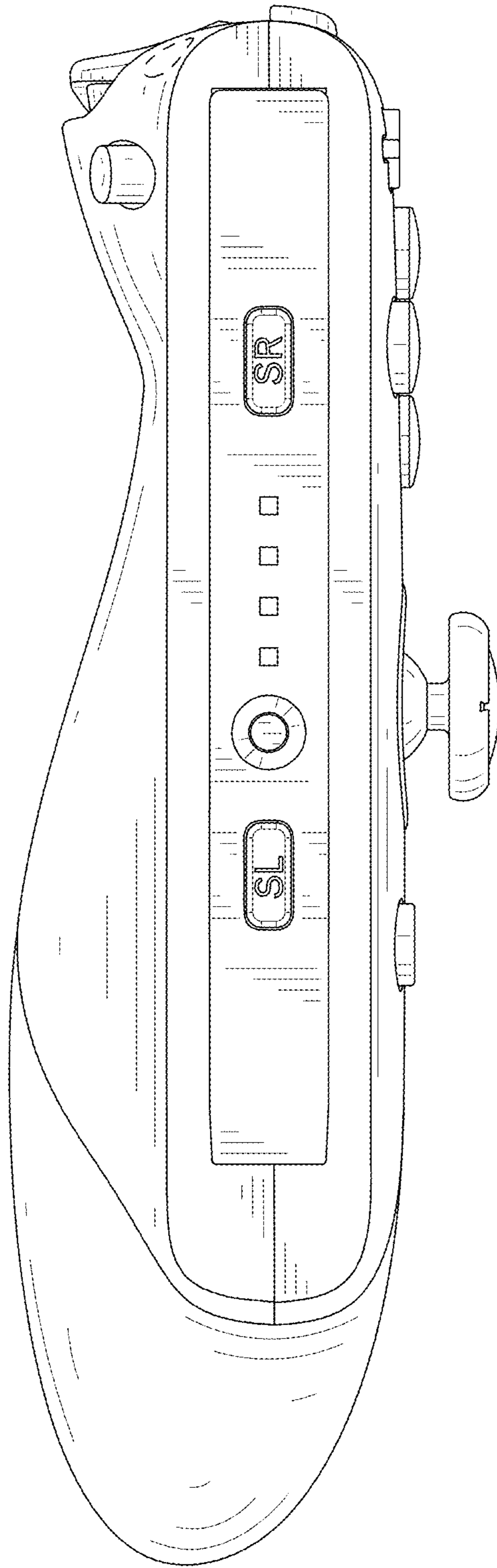


FIG.11

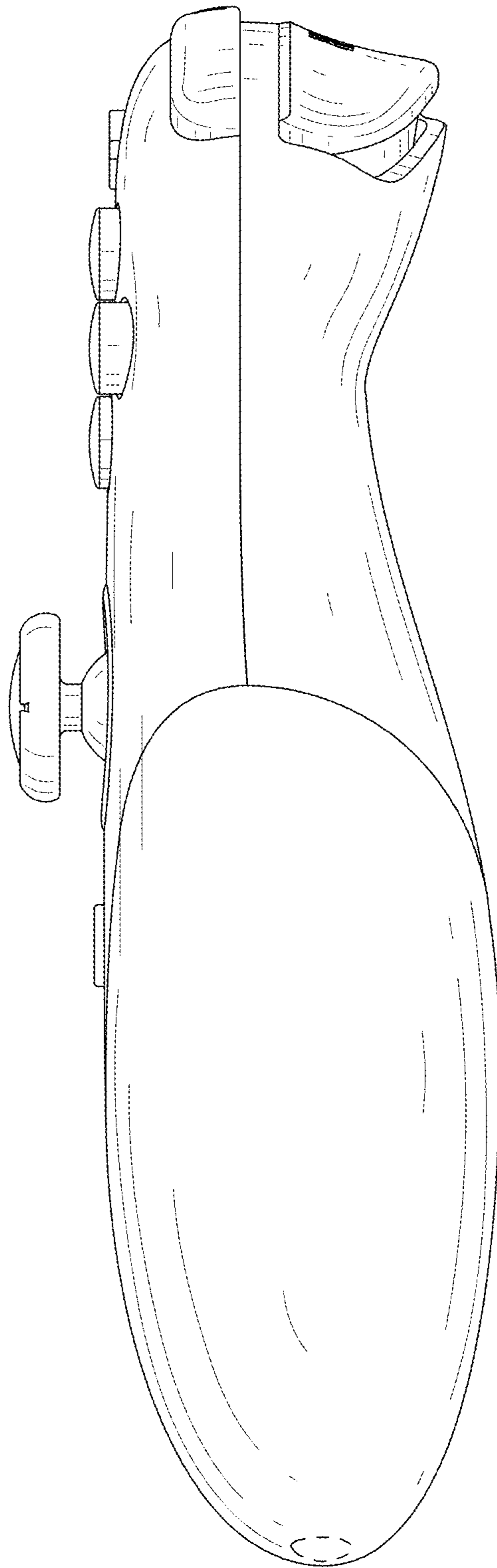


FIG.12

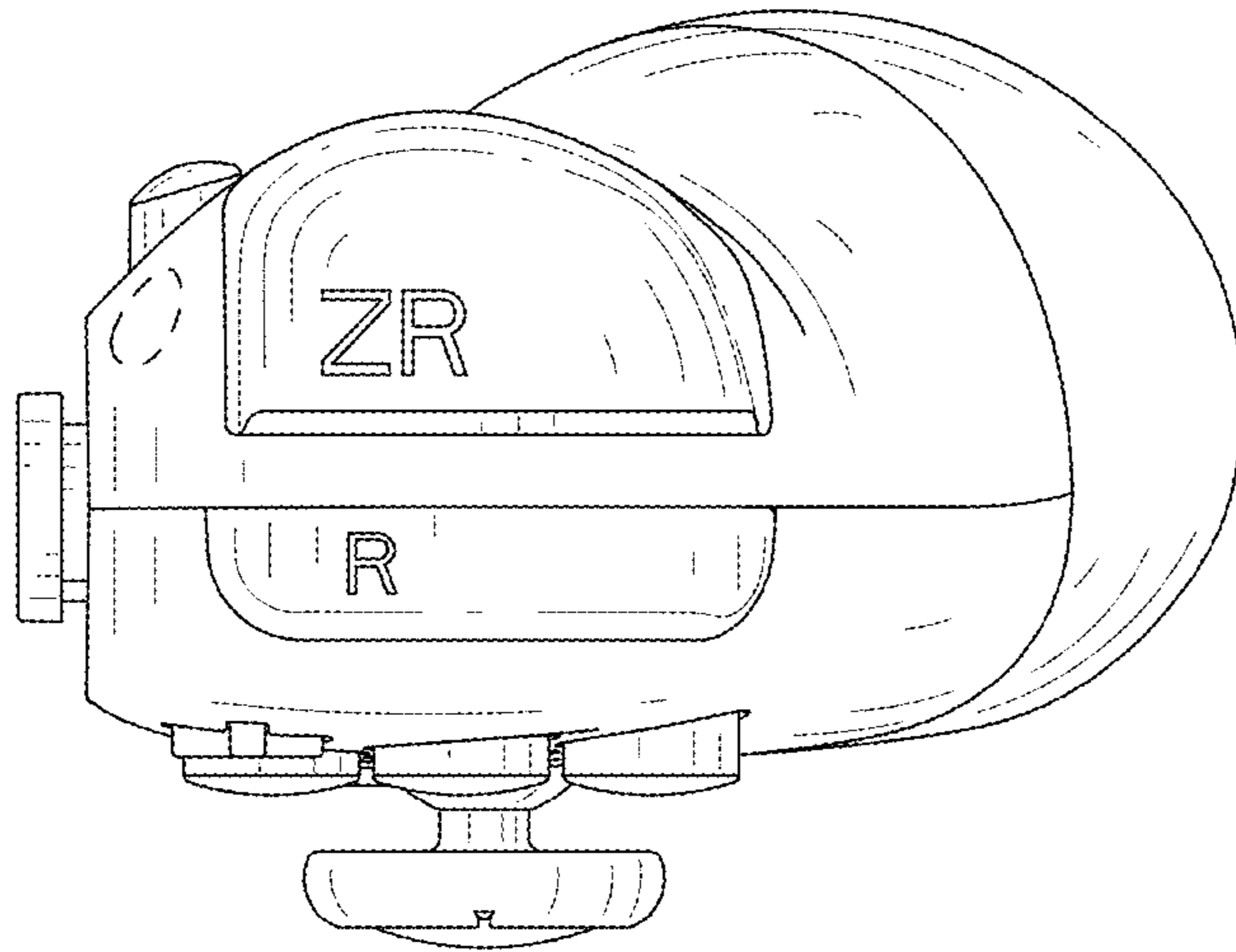


FIG.13

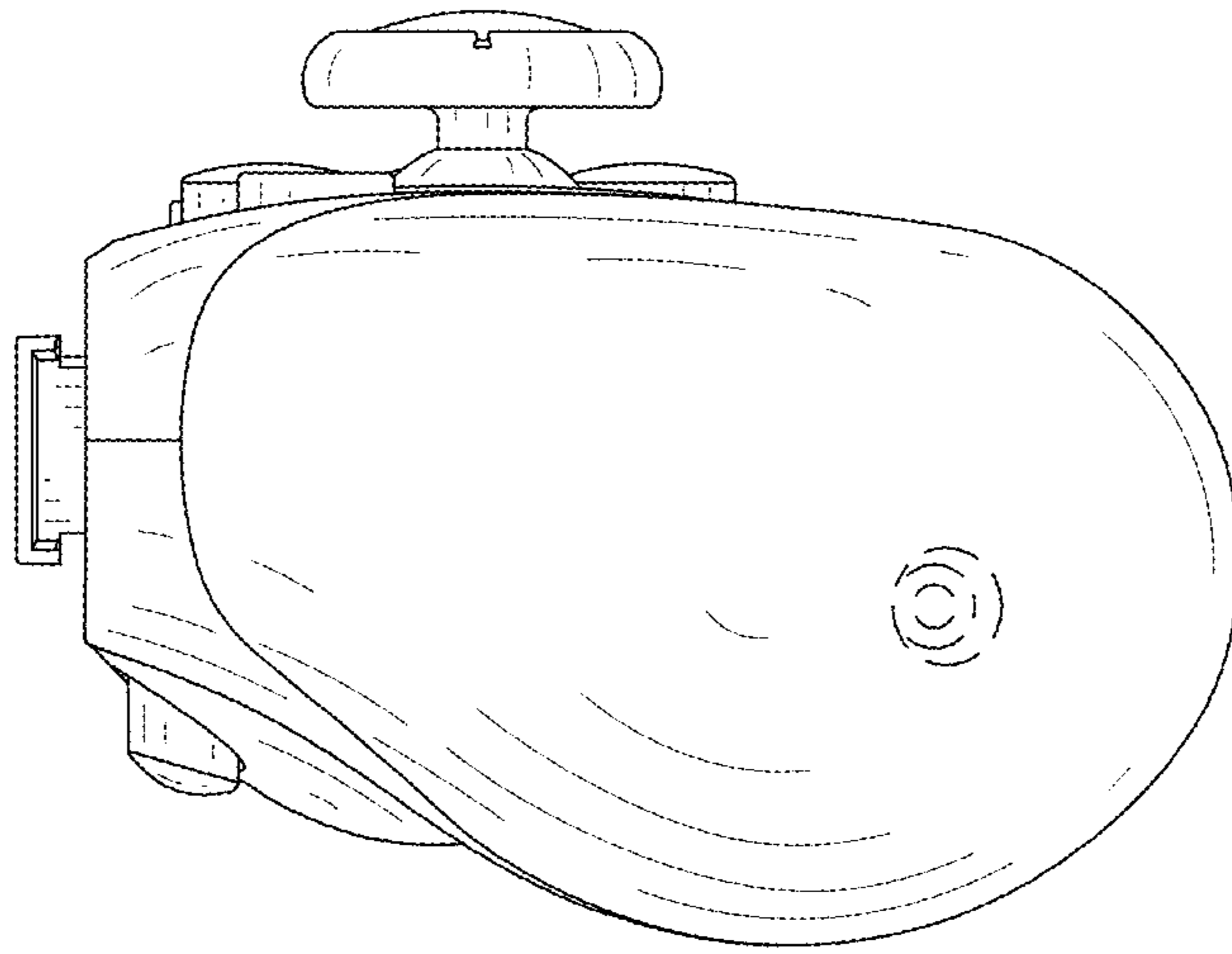


FIG.14



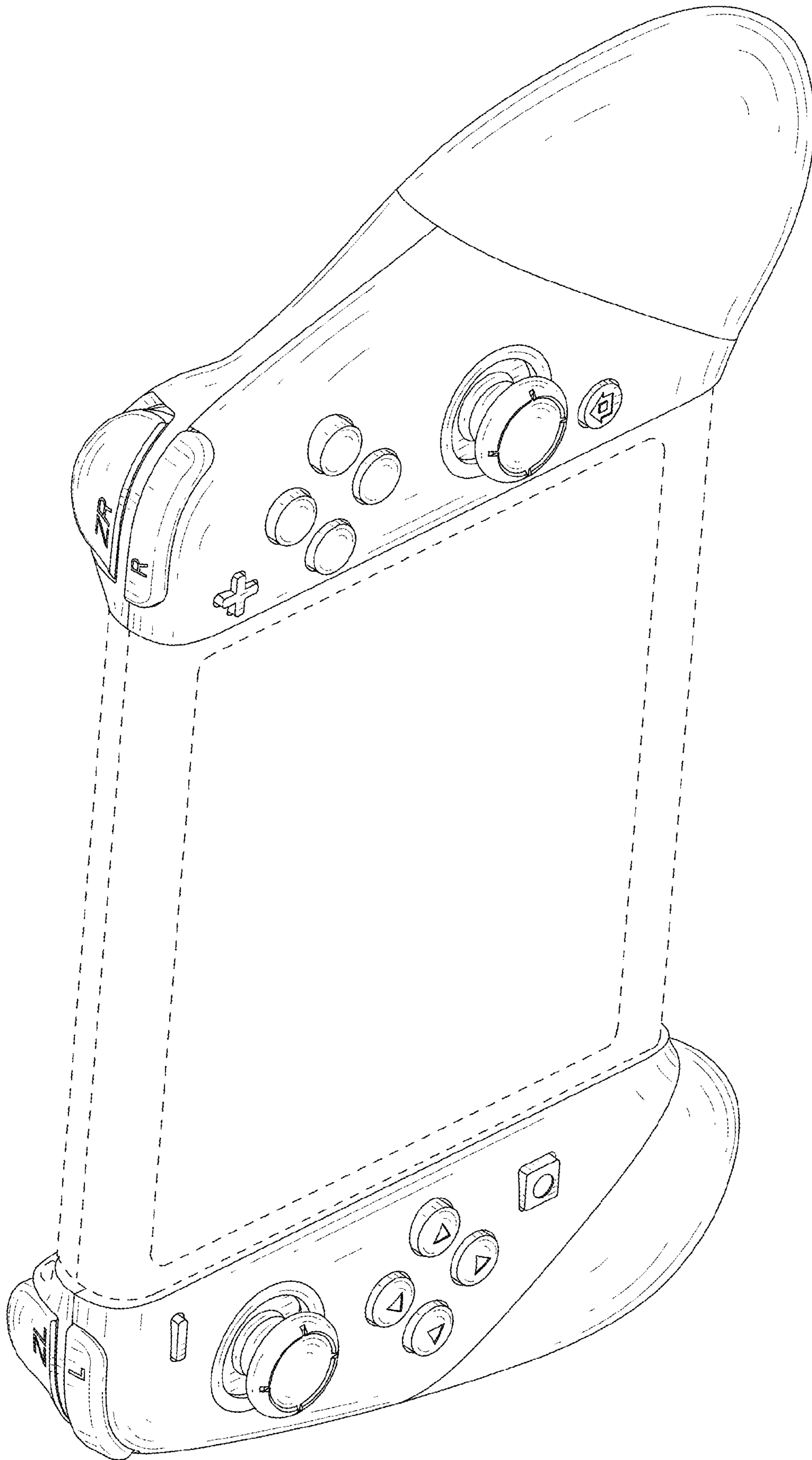


FIG.15