



US00D954150S

(12) **United States Design Patent**
Seckel et al.

(10) **Patent No.:** **US D954,150 S**
(45) **Date of Patent:** **** Jun. 7, 2022**

(54) **MOBILE SCREEN**

(71) Applicant: **ARISTOCRAT TECHNOLOGIES AUSTRALIA PTY LIMITED**, North Ryde (AU)

(72) Inventors: **Timothy William Seckel**, Streamwood, IL (US); **Joseph Kaminkow**, Las Vegas, NV (US)

(73) Assignee: **Aristocrat Technologies Australia Pty Limited**, North Ryde (AU)

(**) Term: **15 Years**

(21) Appl. No.: **29/661,984**

(22) Filed: **Aug. 31, 2018**

(51) **LOC (13) Cl.** **21-01**

(52) **U.S. Cl.**
USPC **D21/329**

(58) **Field of Classification Search**
USPC D21/300, 323, 324, 325, 326, 327, 328, D21/329, 330, 331, 332, 333, 334, 335, D21/336, 337, 369, 370, 371, 372, 373, D21/374; D14/125, 126, 133, 203.7, D14/203.8, 217, 300, 301, 302, 305, 307,
(Continued)

(56) **References Cited**

U.S. PATENT DOCUMENTS

D221,968 S * 9/1971 Fieldhouse D21/329
D334,667 S * 4/1993 Lonczak D6/308
(Continued)

OTHER PUBLICATIONS

Office Action dated Aug. 11, 2020 for U.S. Appl. No. 16/446,074 (pp. 1-7).

(Continued)

Primary Examiner — Sandra Snapp

Assistant Examiner — Mehri Bajoul

(74) *Attorney, Agent, or Firm* — Armstrong Teasdale LLP

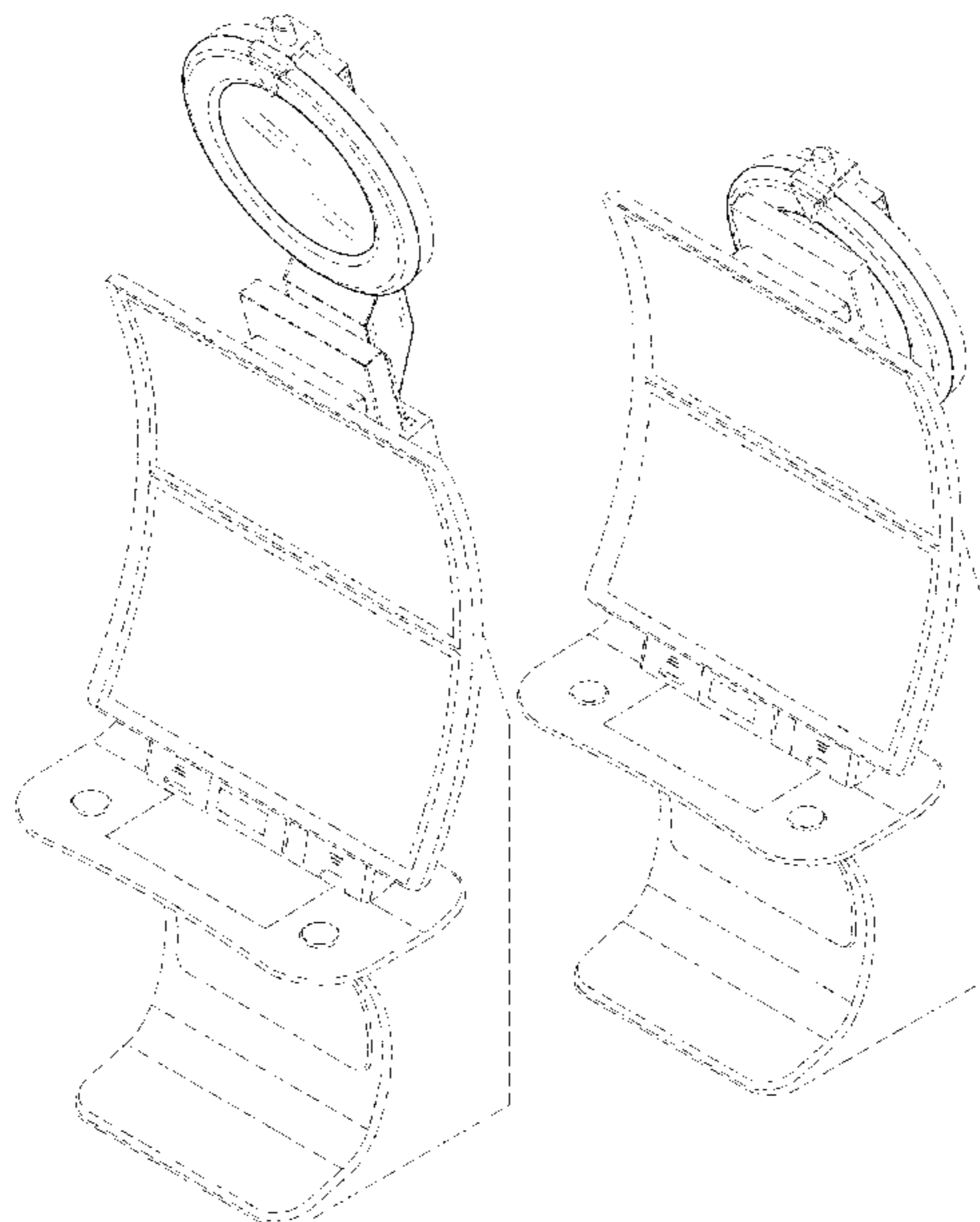
(57) **CLAIM**

We claim the ornamental design for a mobile screen, as shown and described.

DESCRIPTION

FIG. 1 is a front perspective view of a mobile screen in a first position showing our new design;
FIG. 2 is a front view of the mobile screen shown in FIG. 1;
FIG. 3 is a back view of the mobile screen shown in FIG. 1;
FIG. 4 is a right side view of the mobile screen shown in FIG. 1;
FIG. 5 is a left side view of the mobile screen shown in FIG. 1;
FIG. 6 is a top view of the mobile screen shown in FIG. 1;
FIG. 7 is a back perspective view of the mobile screen shown in FIG. 1;
FIG. 8 is a front perspective view of the mobile screen in a second position showing our new design;
FIG. 9 is a front view of the mobile screen shown in FIG. 8;
FIG. 10 is a back view of the mobile screen shown in FIG. 8;
FIG. 11 is a right side view of the mobile screen shown in FIG. 8;
FIG. 12 is a left side view of the mobile screen shown in FIG. 8;
FIG. 13 is a top view of the mobile screen shown in FIG. 8;
and,
FIG. 14 is a back perspective view of the mobile screen shown in FIG. 8.
The broken line portions of the mobile screen form no part of the claimed design.

1 Claim, 14 Drawing Sheets



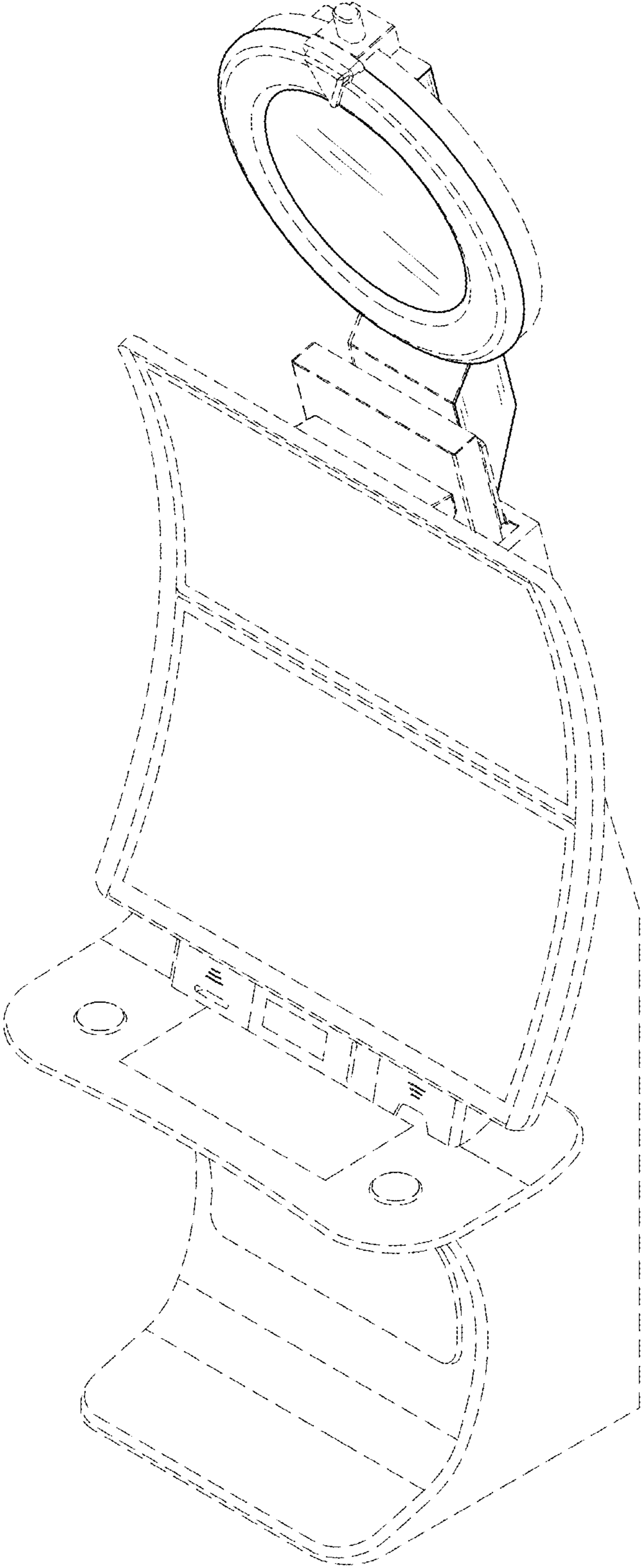


FIG. 1

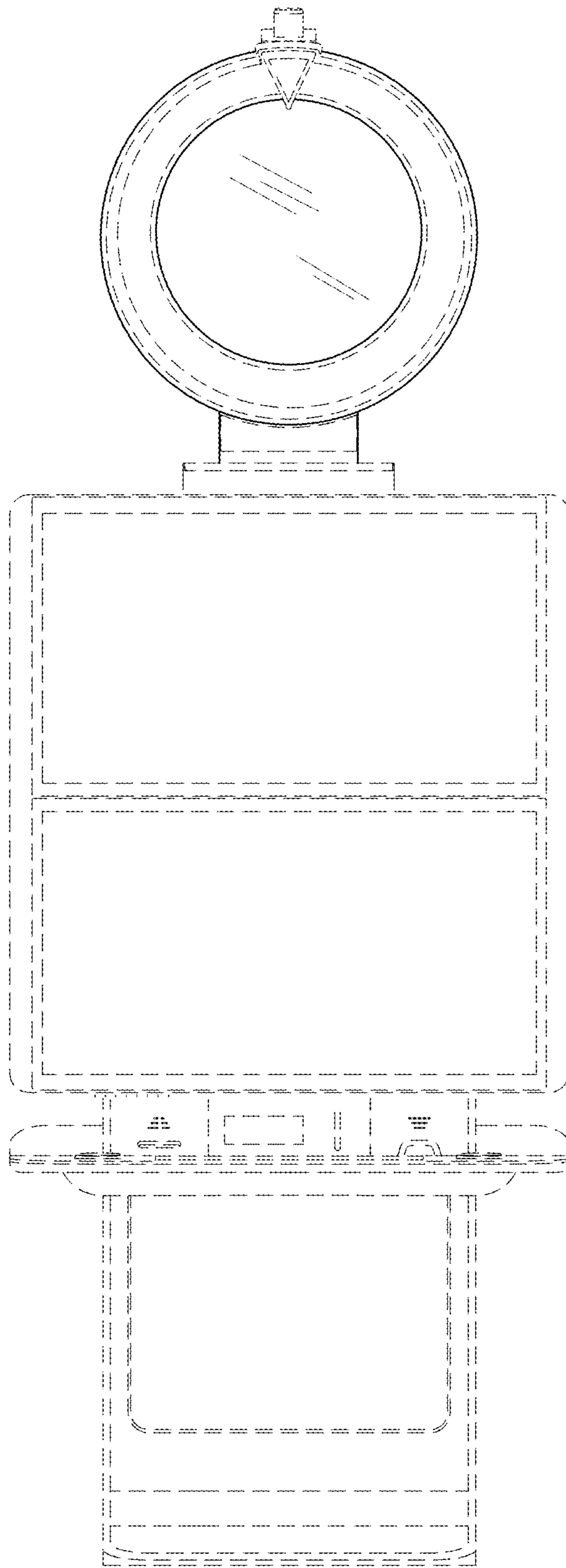


FIG. 2

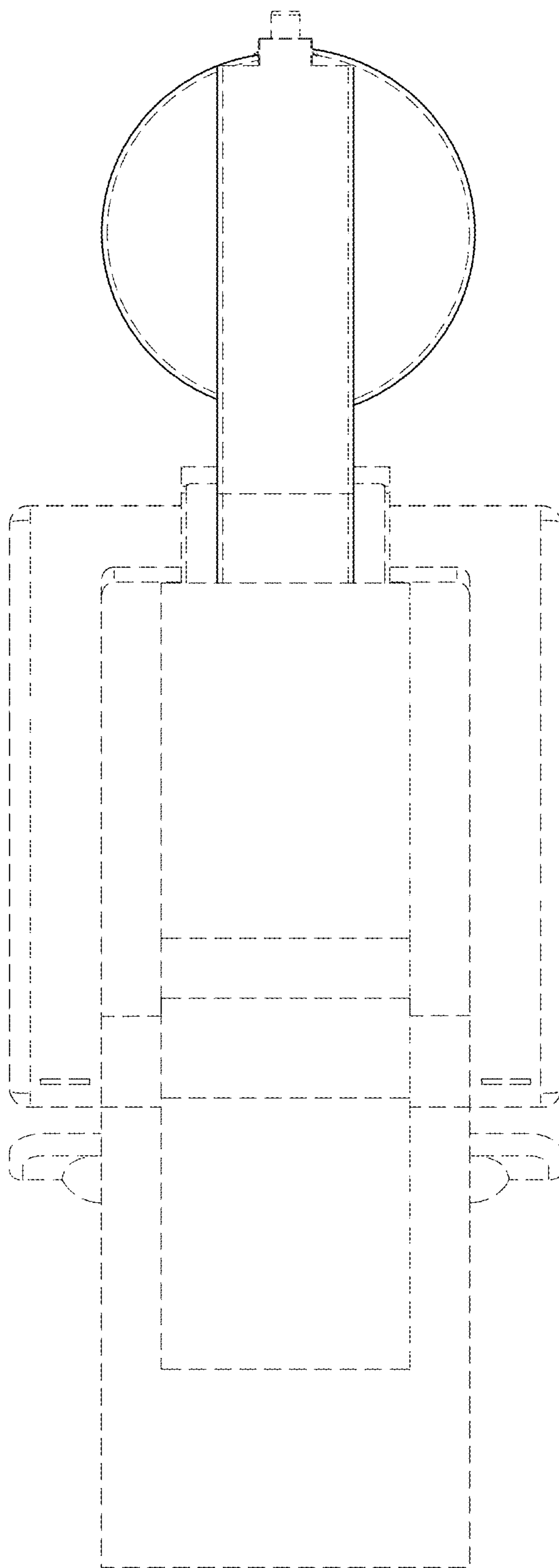


FIG. 3

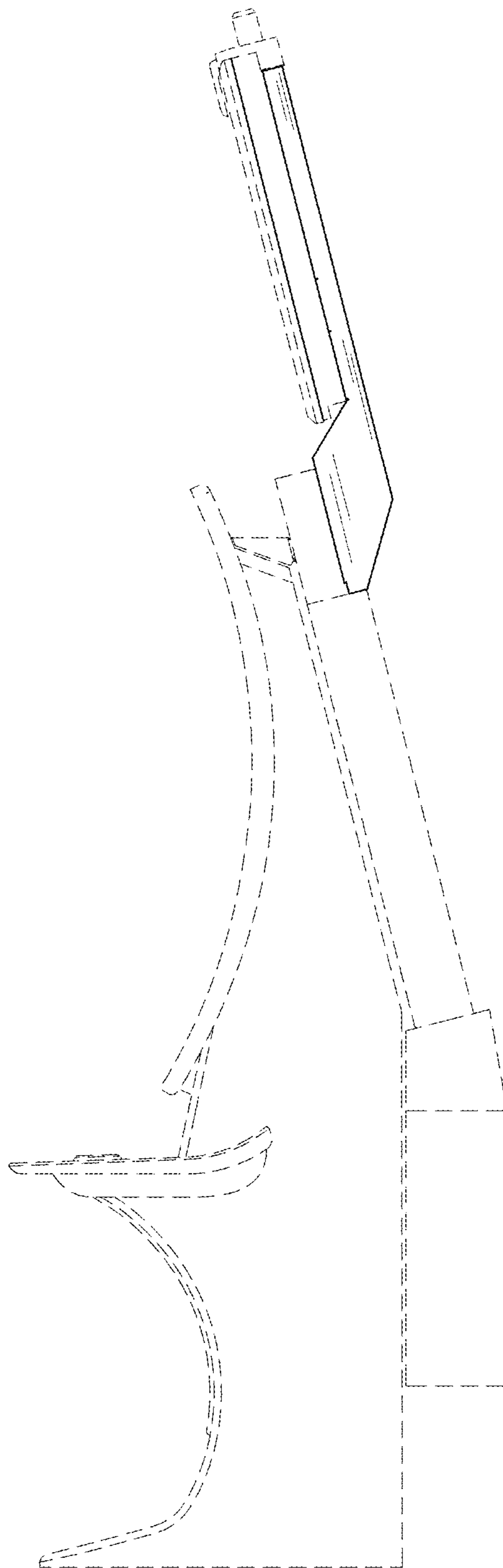


FIG. 4

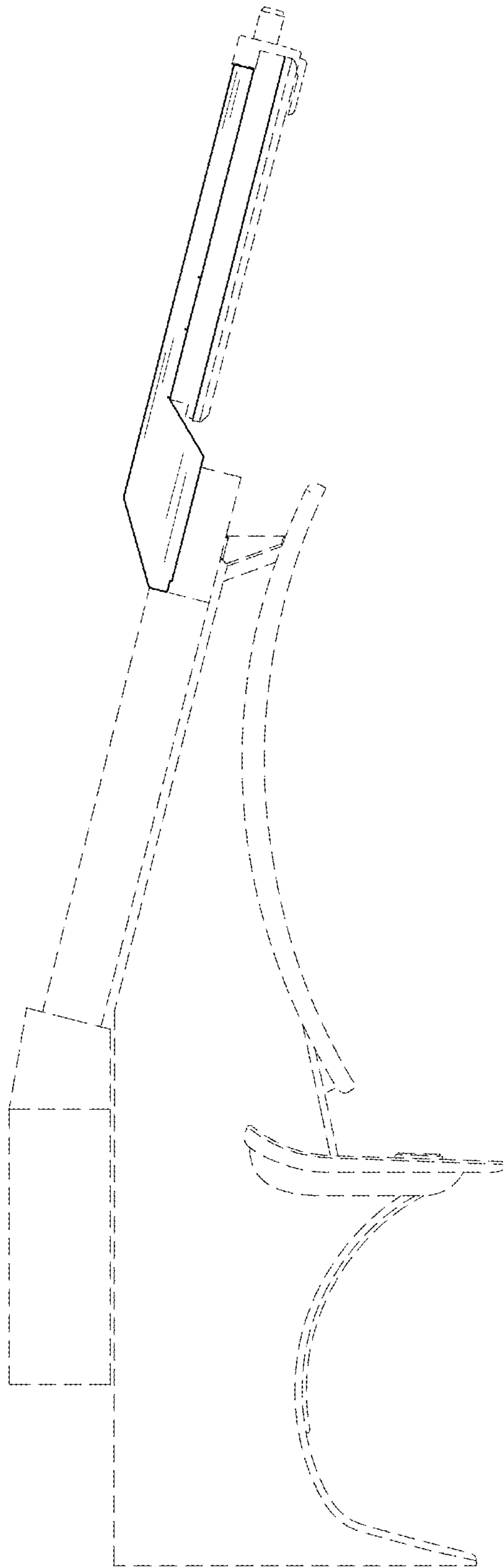


FIG. 5

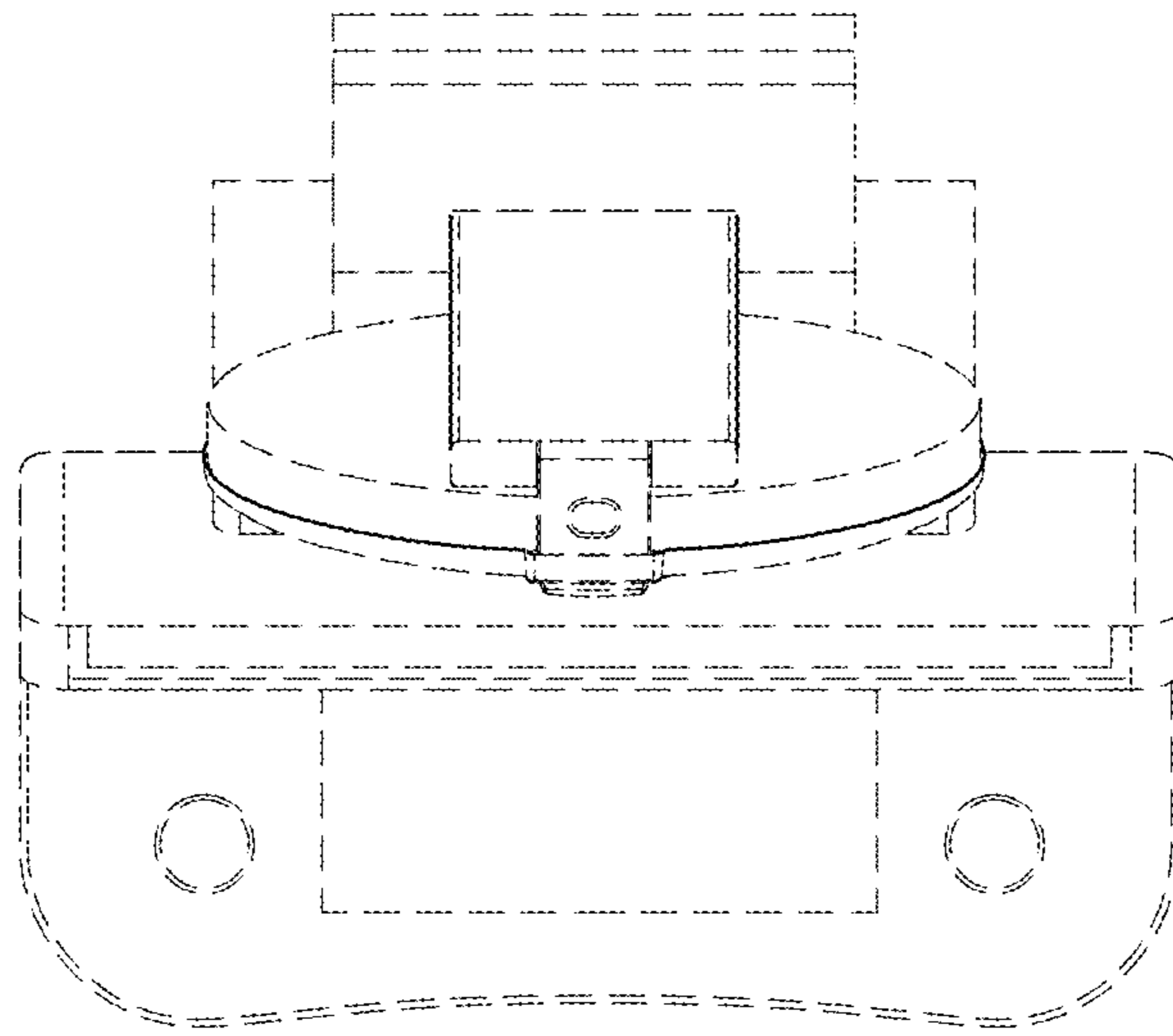


FIG. 6

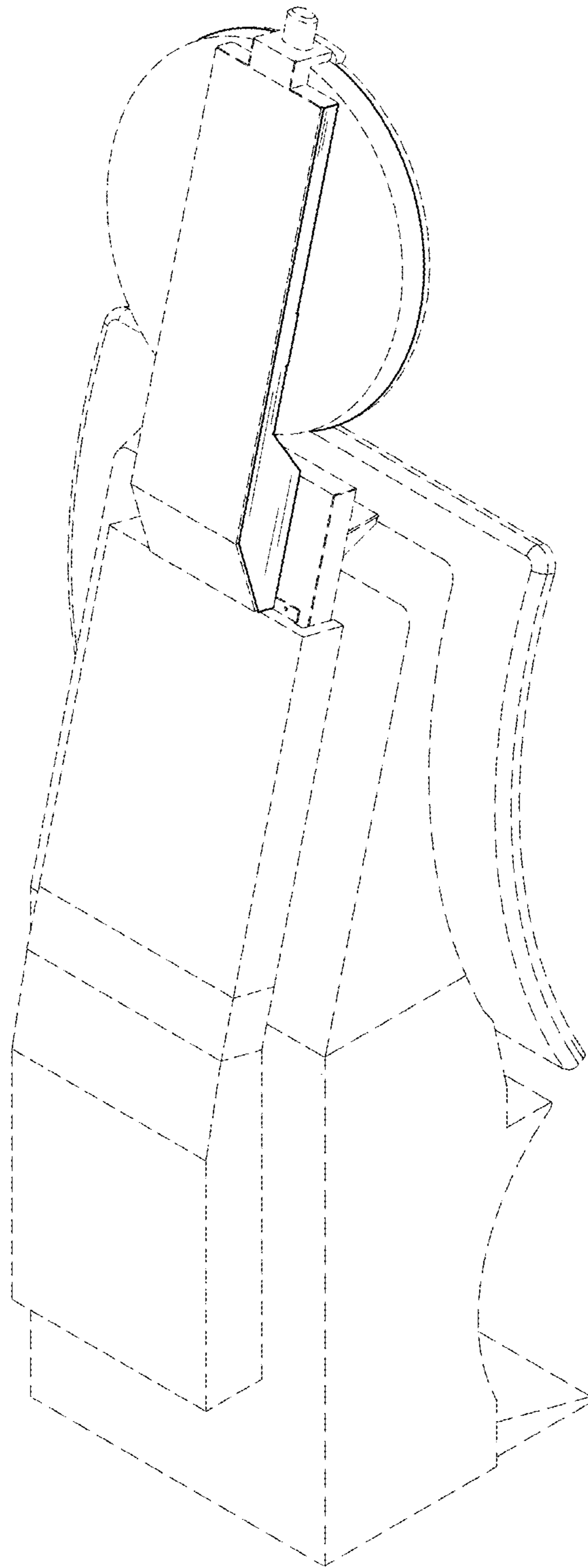


FIG. 7

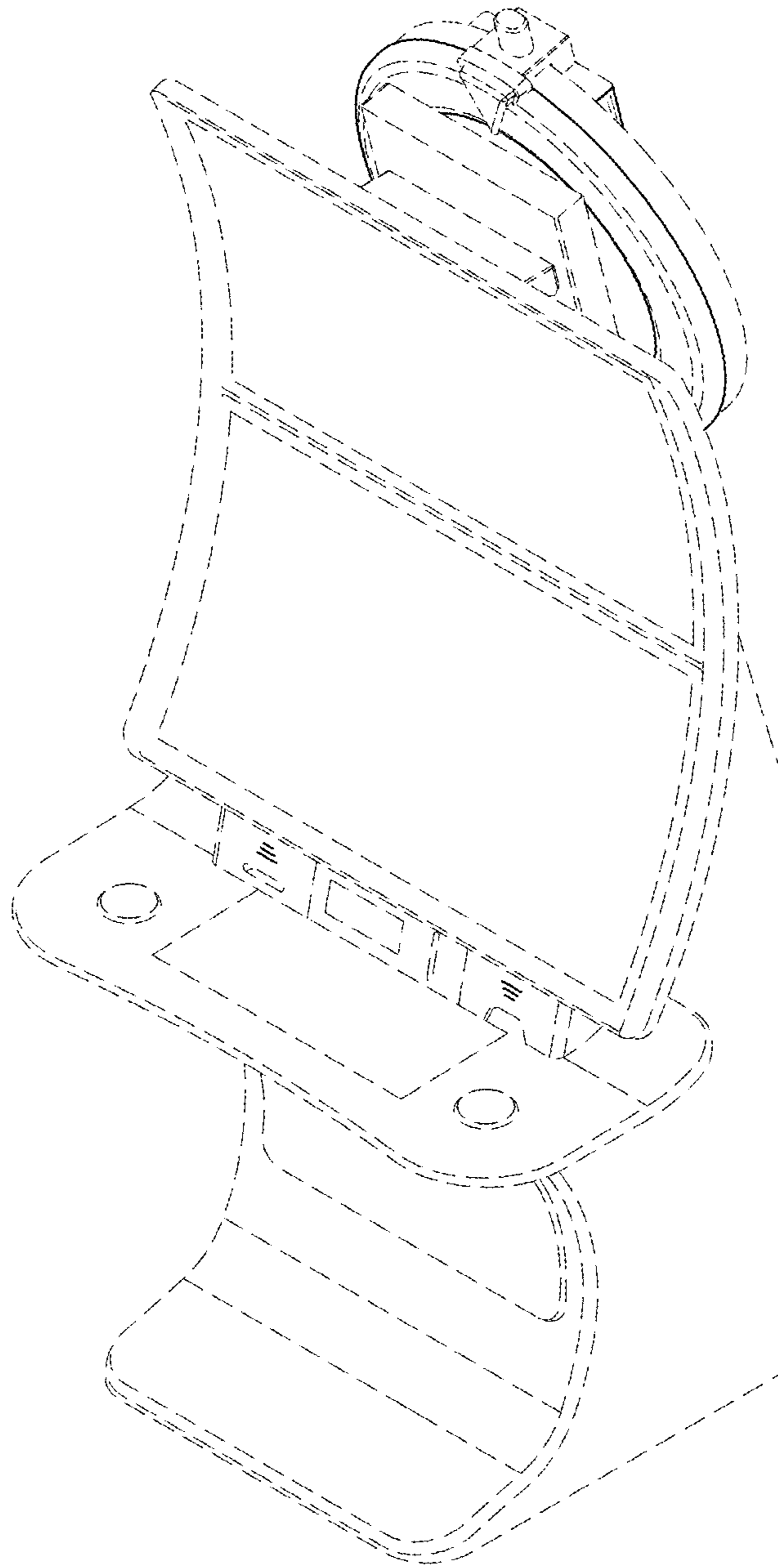


FIG. 8

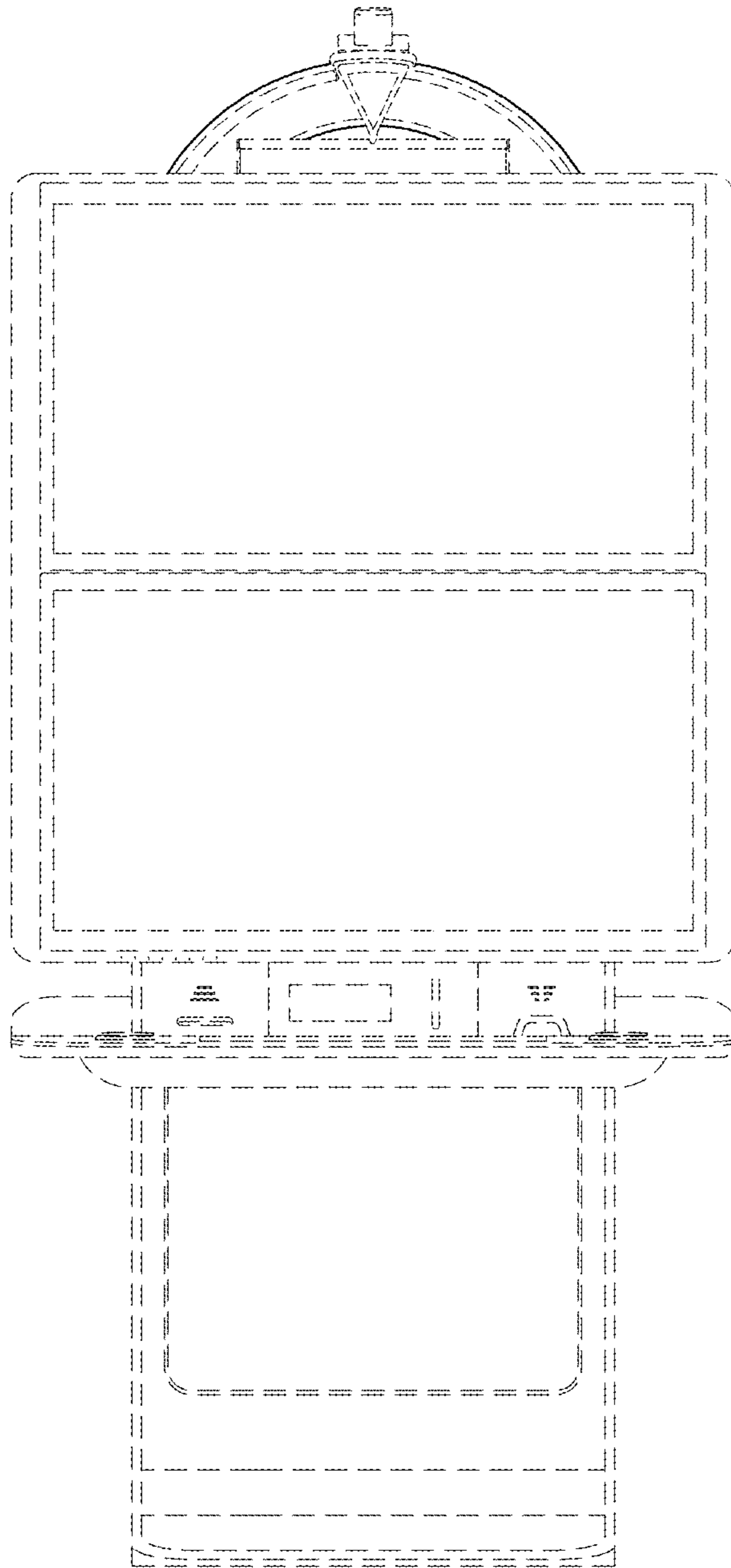


FIG. 9

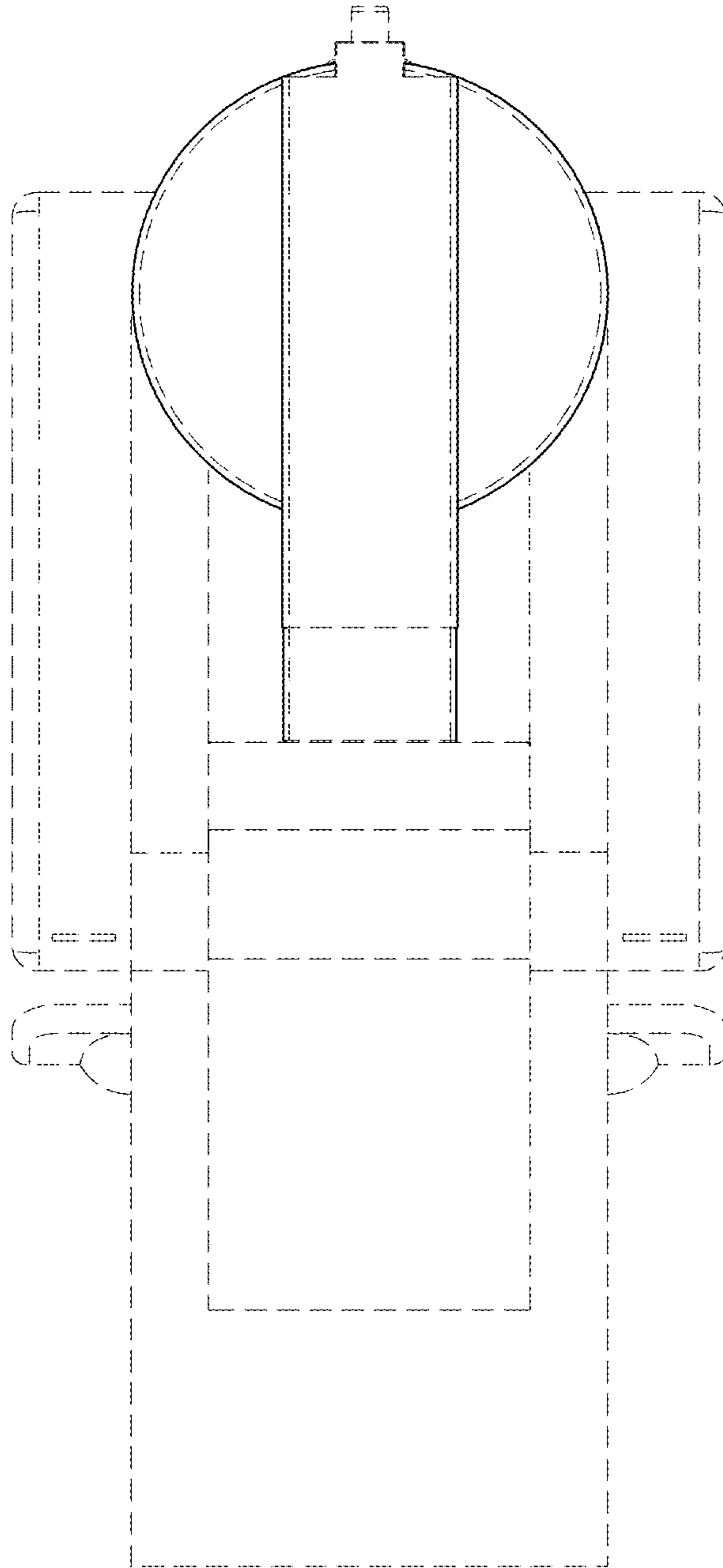


FIG. 10

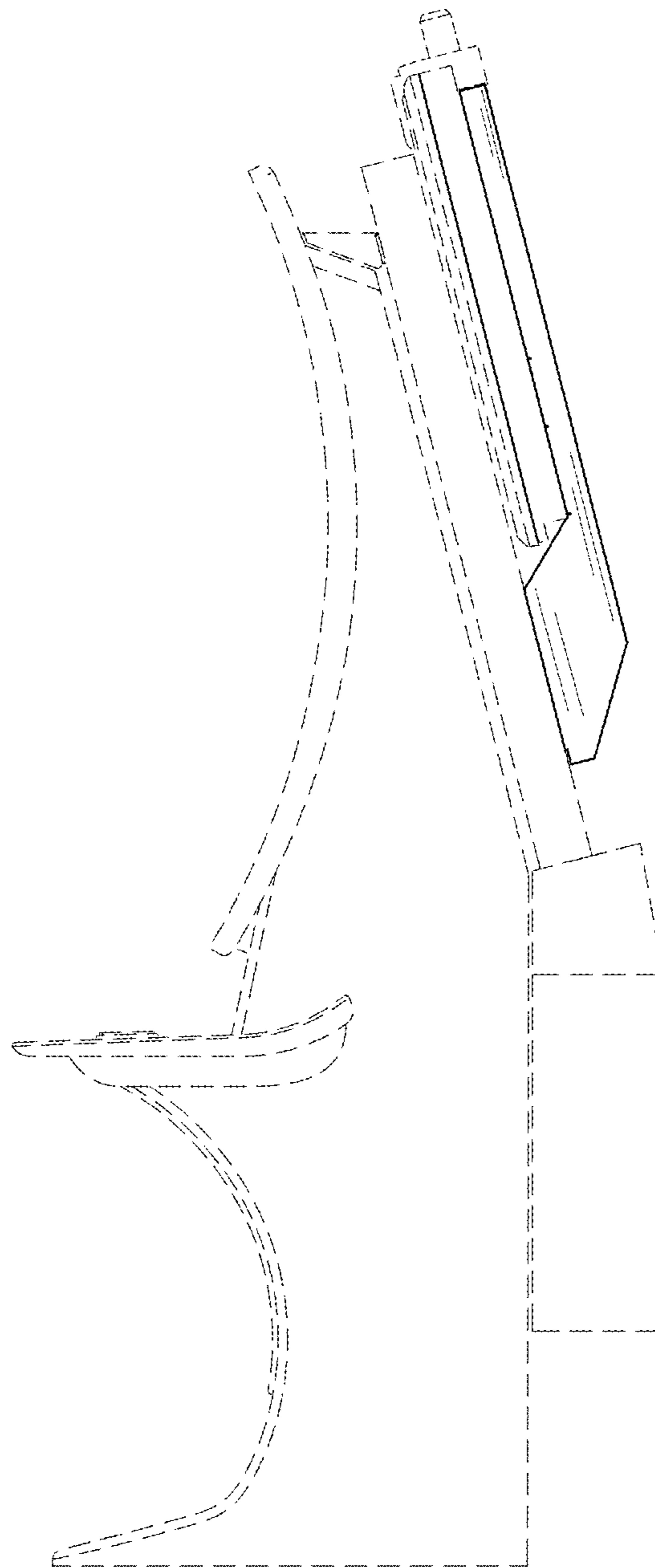


FIG. 11

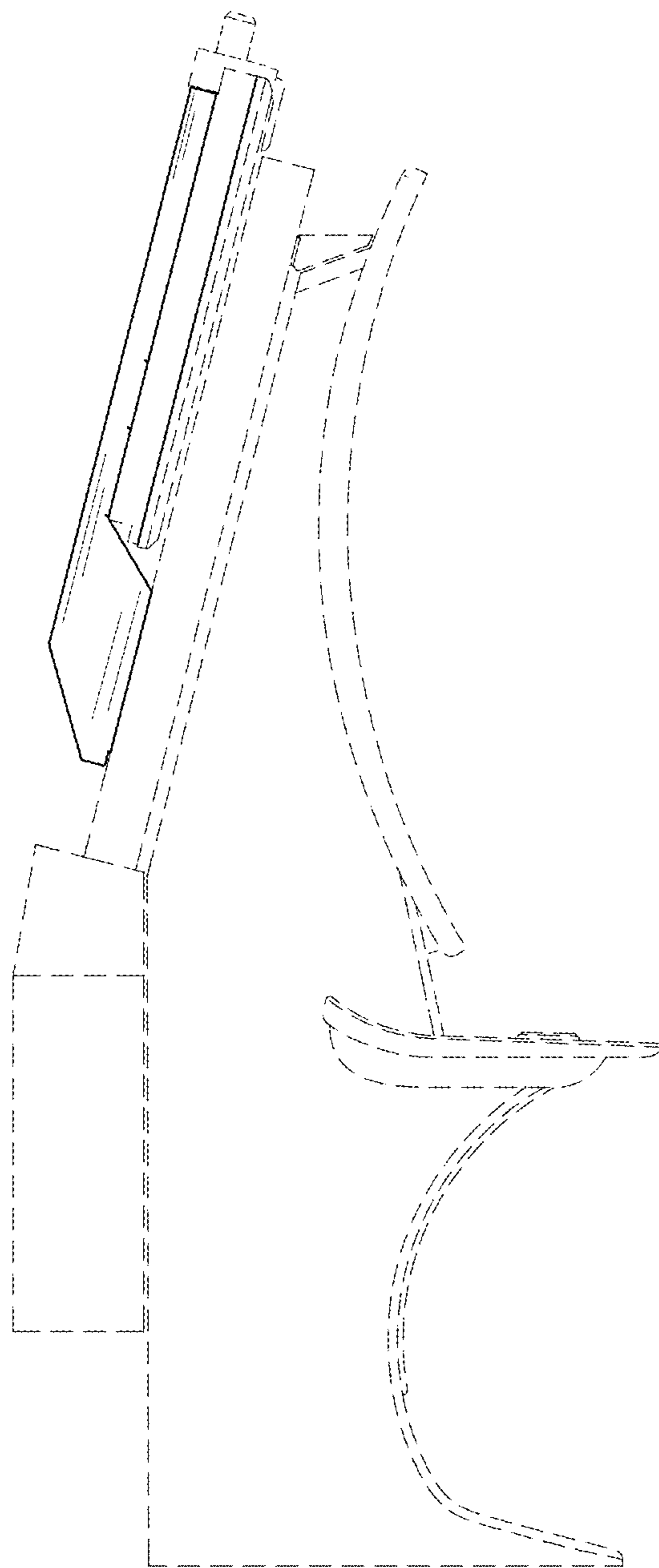


FIG. 12

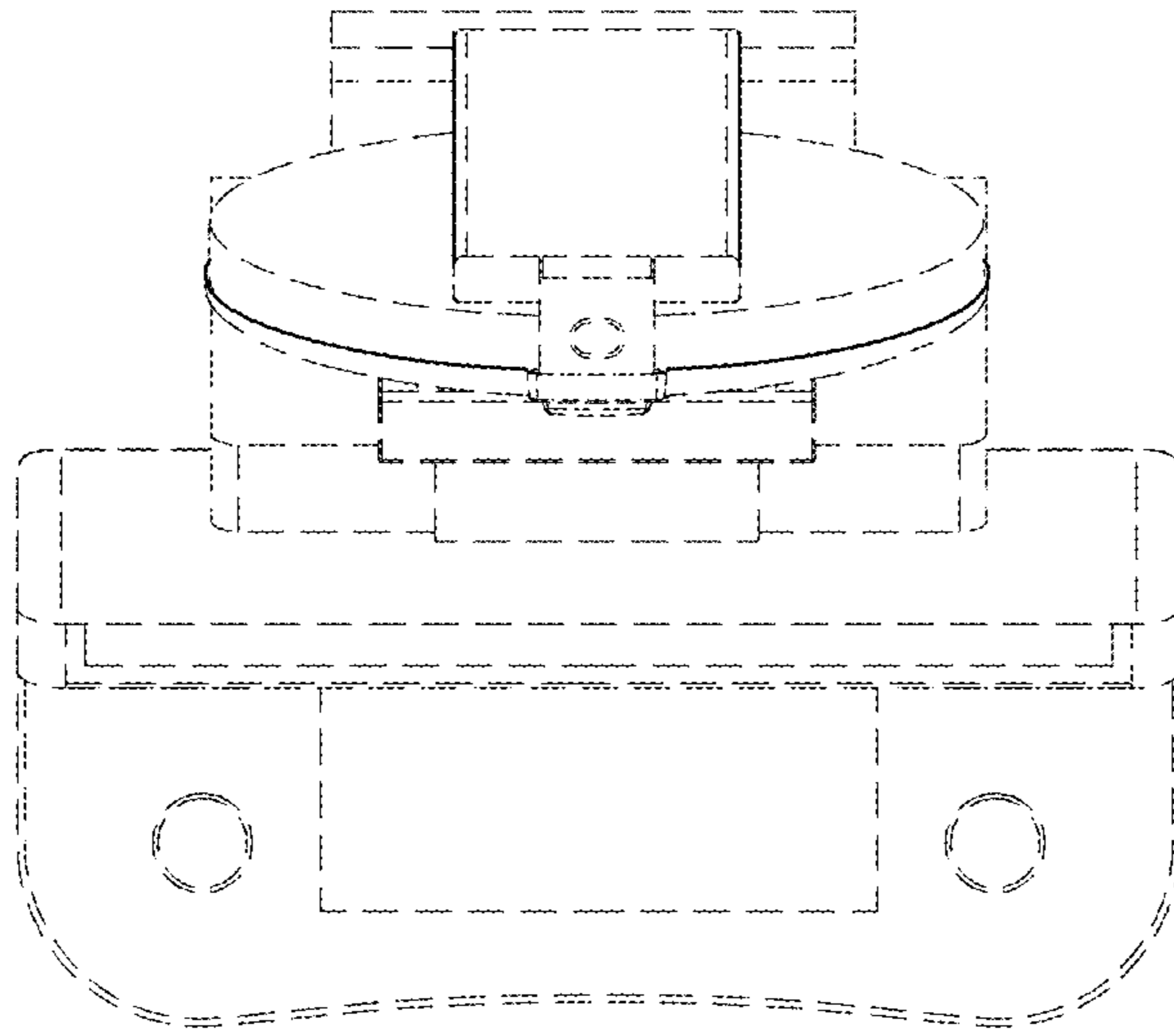


FIG. 13

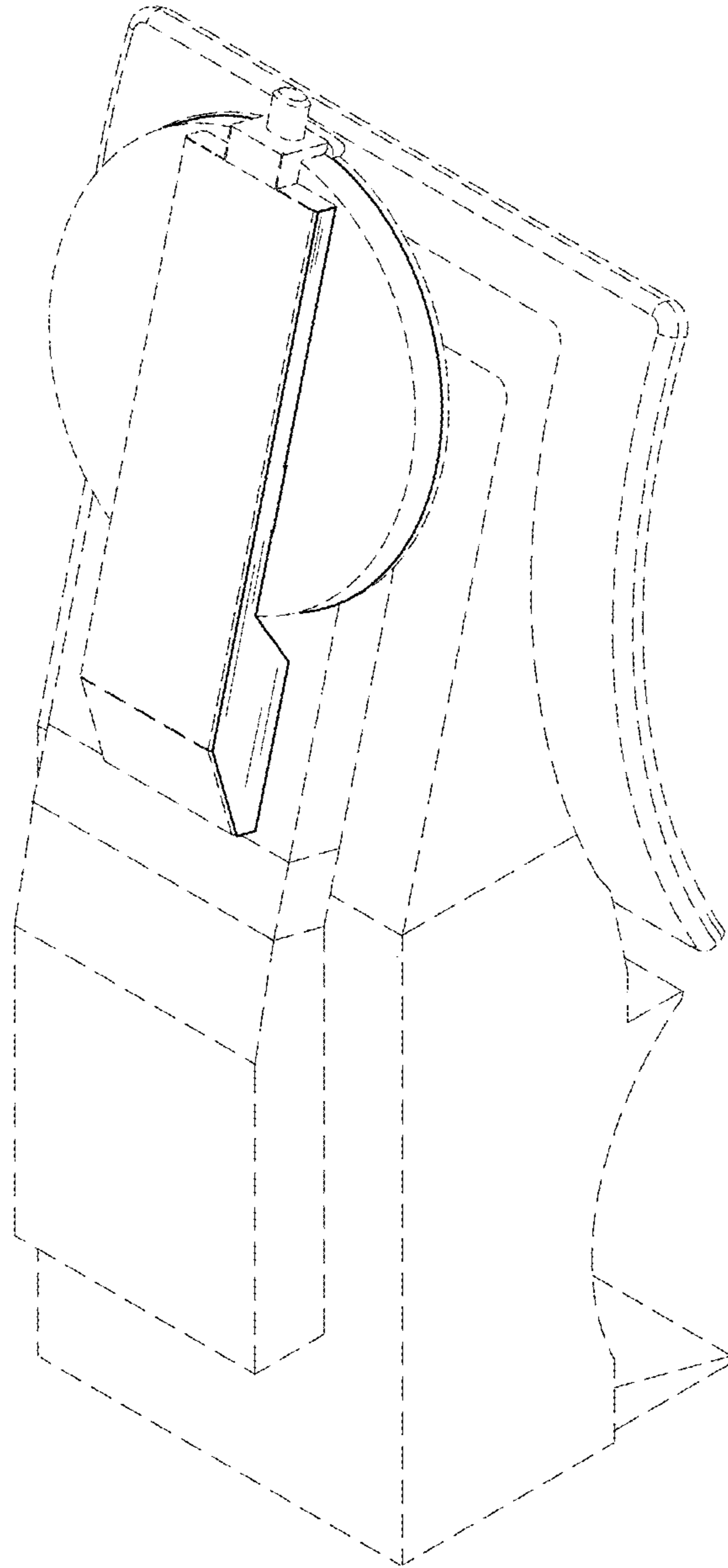


FIG. 14