



US00D954149S

(12) **United States Design Patent**
Hochman

(10) **Patent No.:** **US D954,149 S**

(45) **Date of Patent:** **** Jun. 7, 2022**

(54) **LED TILE**

(71) Applicant: **H2VR HoldCo, Inc.**, Walnut, CA (US)

(72) Inventor: **Jeremy Hochman**, Walnut, CA (US)

(73) Assignee: **H2VR HoldCo, Inc.**, Walnut, CA (US)

(**) Term: **15 Years**

(21) Appl. No.: **29/735,322**

(22) Filed: **May 20, 2020**

(51) **LOC (13) Cl.** **20-02**

(52) **U.S. Cl.**

USPC **D20/10; D14/126; D25/138**

(58) **Field of Classification Search**

USPC D14/126, 127, 129, 130, 132, 133, 159,
D14/239, 307, 336, 371, 372, 373, 374,
D14/375, 376, 383, 448, 451, 496, 449,
D14/343; D20/10, 18, 19, 21, 39;
D26/120, 122, 138; D13/180, 184;
D25/55, 58, 102, 138, 140, 156, 158
CPC G09F 9/302; G09F 9/3023; G09F 9/3026;
G09F 9/33; G09F 9/335; G09G 2300/026;
G09G 3/32; G09G 3/3208; F16M 11/00;
H05K 7/18; H05K 7/02954; G06F
3/1446; H01L 27/3237; H01L 27/3241;
H01L 27/3293; H01L 25/0753
See application file for complete search history.

(56) **References Cited**

U.S. PATENT DOCUMENTS

D213,592 S * 3/1969 Anders D14/127
6,169,632 B1 * 1/2001 Kurtenbach G09F 9/33
359/620
D482,403 S * 11/2003 Rose G09F 9/3026
D20/19
D487,779 S * 3/2004 Rose D20/19
D493,463 S * 7/2004 Takahashi D14/371
6,813,853 B1 * 11/2004 Tucker G09F 9/33
345/82

6,816,389 B1 * 11/2004 Lutz H05K 5/0247
361/801
D503,745 S * 4/2005 Yasuoka D20/12
D510,956 S * 10/2005 Yasuoka D20/12
7,055,271 B2 * 6/2006 Lutz G09F 9/3026
40/605
D524,063 S * 7/2006 Berg D20/10
(Continued)

OTHER PUBLICATIONS

LED displays (Design—© Questel) orbit.com. [online PDF of Foreign references] 94 pgs. Print Dates range Jul. 11, 2017-Oct. 15, 2021. [Retrieved Feb. 4, 2022] <https://www.orbit.com/export/QPTUJ214/pdf2/65d968be-035a-4bc8-9185-d37464b921cf-014552.pdf>.*

(Continued)

Primary Examiner — Marie D. Fast Horse
(74) *Attorney, Agent, or Firm* — Downs Rachlin Martin PLLC

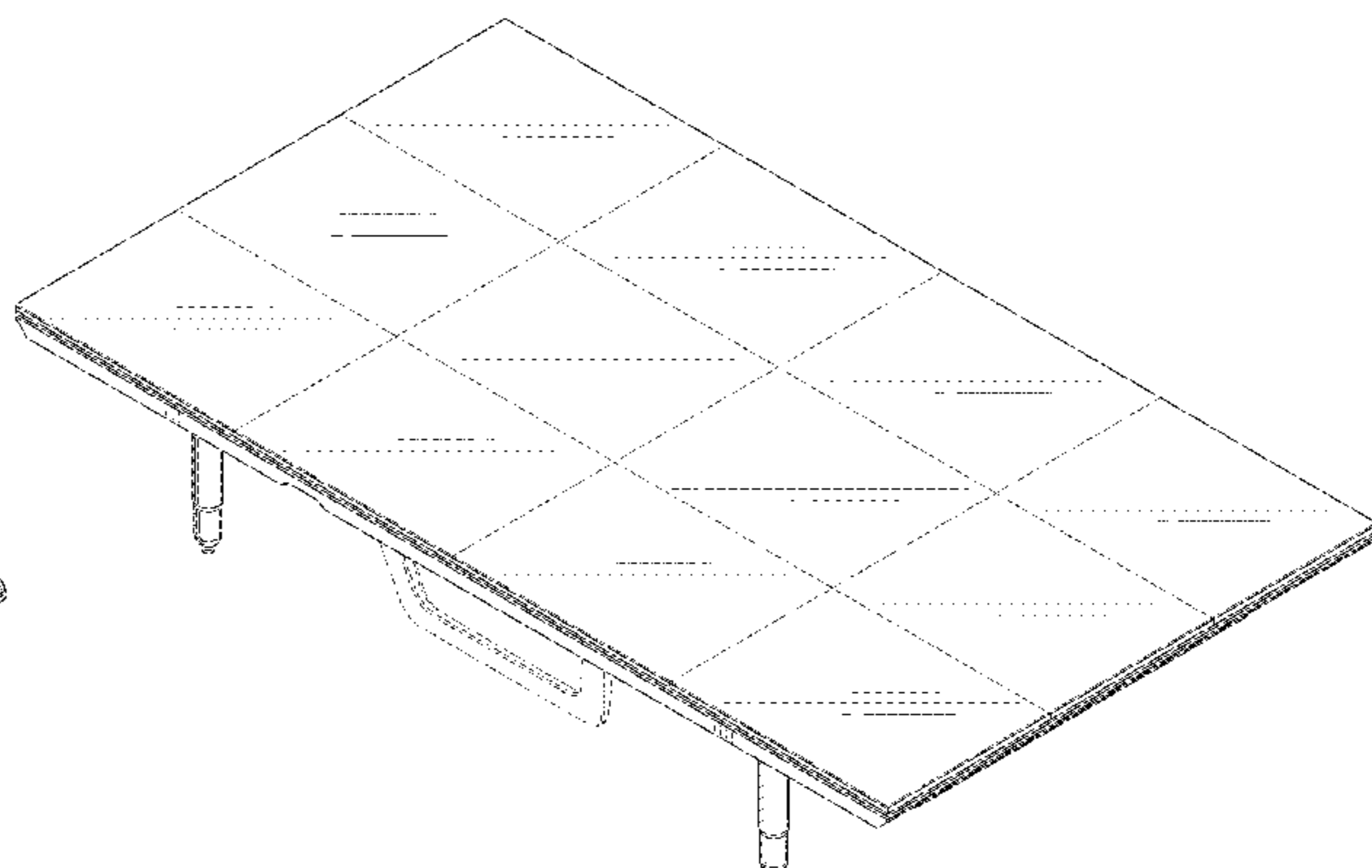
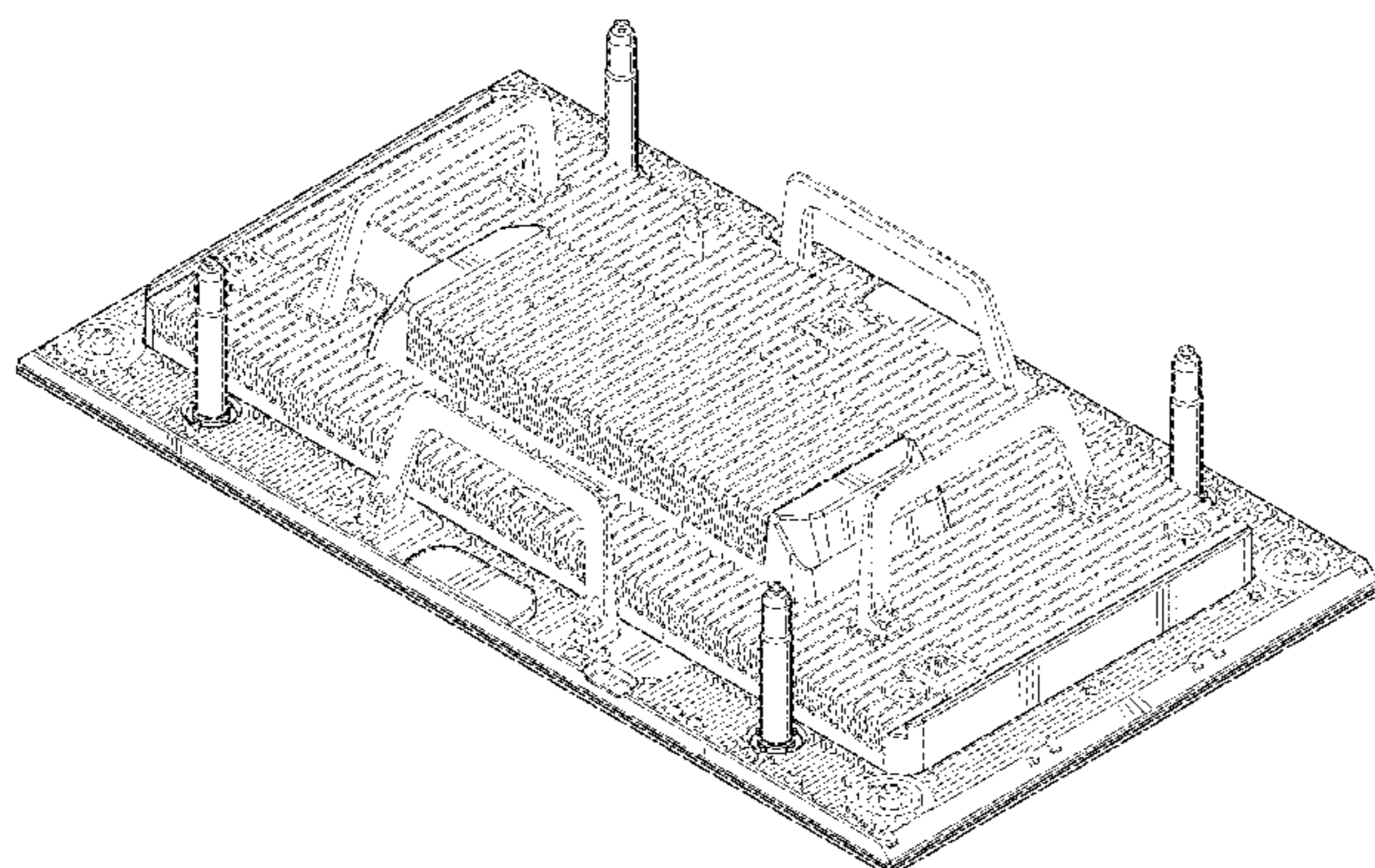
(57) **CLAIM**

The ornamental design for an LED tile, as shown and described.

DESCRIPTION

FIG. 1 is a rear perspective view of an LED tile showing my new design;
FIG. 2 is a front perspective view thereof;
FIG. 3 is a top view thereof;
FIG. 4 is a bottom view thereof;
FIG. 5 is a side view thereof;
FIG. 6 is a second side view thereof;
FIG. 7 is a front view thereof; and,
FIG. 8 is a rear view thereof.
The broken lines in the Figures are for the purpose of illustrating unclaimed portions of the LED tile and form no part of the claimed design.
The shade lines in the Figures show contour and not surface ornamentation.

1 Claim, 8 Drawing Sheets



(56)

References Cited

U.S. PATENT DOCUMENTS

- D595,294 S * 6/2009 Woodward D14/373
D608,315 S * 1/2010 Mitsuhashi D14/134
7,694,444 B2 * 4/2010 Miller G09F 9/3026
40/448
D624,513 S * 9/2010 Mitsuhashi D14/126
7,869,198 B1 * 1/2011 Nearman G09F 9/3026
292/201
D633,454 S * 3/2011 Mitsuhashi D14/126
D645,467 S * 9/2011 Mitsuhashi D14/374
8,172,097 B2 * 5/2012 Nearman G09F 9/3026
211/189
D681,263 S * 4/2013 Van Eekeren D26/122
D700,367 S * 2/2014 Shen D25/138
D702,682 S * 4/2014 Xu D14/371
D714,871 S * 10/2014 Dysart D20/10
D727,538 S * 4/2015 Smith D25/138
D730,309 S * 5/2015 Hochman D14/126
D740,239 S * 10/2015 Amini D13/180
D746,488 S * 12/2015 Luchini D25/138
D750,173 S * 2/2016 Chen D20/10
D751,998 S * 3/2016 Hochman D13/180
D753,097 S * 4/2016 Hochman D14/239
D780,704 S * 3/2017 Kiridoshi D13/180
D785,605 S * 5/2017 Hochman D14/239
D785,606 S * 5/2017 Hochman D14/239
D786,811 S * 5/2017 Zheng D13/182
D798,247 S * 9/2017 Meincke D13/180
D804,712 S * 12/2017 Cai D26/120
D805,070 S * 12/2017 Cai D14/371
D805,486 S * 12/2017 Hochman D13/184
D811,649 S * 2/2018 Cai D26/138
D816,870 S * 5/2018 William D25/138
D821,497 S * 6/2018 Cai D20/42
10,009,589 B2 * 6/2018 Wu G09F 9/33
D822,113 S * 7/2018 Deng D20/10
D825,559 S * 8/2018 Lu D14/371
D846,028 S * 4/2019 Svihilik D20/42
D848,642 S * 5/2019 Downey D25/138
D849,273 S * 5/2019 Downey D25/138
D857,930 S * 8/2019 Vladimirovich D25/140
D860,319 S * 9/2019 Beruto D14/126
D866,006 S * 11/2019 Nelson D25/138
10,531,581 B2 * 1/2020 Seo G09F 9/3026
D876,405 S * 2/2020 Yang D14/239
D876,406 S * 2/2020 Yang D14/239
D880,011 S * 3/2020 Jones D25/138
D880,012 S * 3/2020 Jones D25/138
10,713,979 B2 * 7/2020 Cai G09F 9/302
D893,077 S * 8/2020 Liu D26/76
D900,346 S * 10/2020 Rosan D25/138
10,990,123 B2 * 4/2021 Cai G09F 9/3026
D920,432 S * 5/2021 Lee D20/42
D920,434 S * 5/2021 Hwang D20/42
11,011,084 B1 * 5/2021 Hemphill G09F 9/3026
- D925,071 S * 7/2021 Elisary D25/140
D930,630 S * 9/2021 Lee D14/127
D930,631 S * 9/2021 Lee D14/127
D930,632 S * 9/2021 Lee D14/127
D931,262 S * 9/2021 Lee D14/127
D931,263 S * 9/2021 Lee D14/127
11,122,695 B2 * 9/2021 Yi H05K 5/03
D934,452 S * 10/2021 Jones D25/138
11,150,855 B2 * 10/2021 Monsees G09F 9/3026
11,183,087 B1 * 11/2021 Timmins G09F 9/3026
D939,732 S * 12/2021 Nelson D25/138
2007/0000849 A1 * 1/2007 Lutz G09F 9/33
211/26
2012/0218753 A1 * 8/2012 Joffer G09F 9/33
361/679.01
2014/0211424 A1 * 7/2014 De Clercq G09F 9/3026
361/728
2014/0301088 A1 * 10/2014 Lu G09F 9/33
362/382
2014/0328052 A1 * 11/2014 Hochman F21S 2/005
362/147
2016/0163773 A1 * 6/2016 Hochman G09G 3/3208
438/35
2017/0357472 A1 * 12/2017 Monsees G09F 9/3026
2018/0279469 A1 * 9/2018 Liu H05K 1/189
2018/0374400 A1 * 12/2018 Cai G09F 9/302
2019/0107260 A1 * 4/2019 Adema G09G 3/32
2020/0310502 A1 * 10/2020 Cho G09F 9/3026
2020/0350476 A1 * 11/2020 Lee G09F 9/3026
2020/0372841 A1 * 11/2020 Mudd G09F 9/3026
2021/0005798 A1 * 1/2021 Wu G09F 9/3026
2021/0048855 A1 * 2/2021 Hao G09F 9/3026
2021/0091282 A1 * 3/2021 Li G09F 9/33
2021/0134212 A1 * 5/2021 Kim G09G 3/3208
2021/0225818 A1 * 7/2021 Zhang G09F 9/33

OTHER PUBLICATIONS

LED Chips. (Design—© Questel) orbit.com. [online PDF of Foreign references] 9 pgs. Print Date Jan. 28, 2021. [Retrieved Feb. 7, 2022] <https://www.orbit.com/export/QPTUJ214/pdf2/485c23f4-0260-4440-9e11-1e78b24fe2df-233249.pdf>.*

LED waterproof modules. (Design—© Questel) orbit.com. [online PDF of Foreign references] 41 pgs. Print Dates Range Mar. 26, 2014-Oct. 22, 2021. [Retrieved Feb. 8, 2022] <https://www.orbit.com/export/QPTUJ214/pdf2/5832697c-6b2d-46bb-8246-33998de5cb51-183851.pdf>.*

The Difference between Interactive LED Floor Tiles and Projectors, (online) 2 pgs. Available Jun. 1, 2019. [Retrieved Feb. 8, 2022] <https://www.szrilled.net/difference-for-interactive-led-floor-tiles/>.*

Aluvision Presents the Hi-LED 55 plus, (online) 1 pg. Available Feb. 11, 2020. [Retrieved Feb. 8, 2022] <http://www.lightingandsoundamerica.com/news/story.asp?ID=O369IY>.*

* cited by examiner

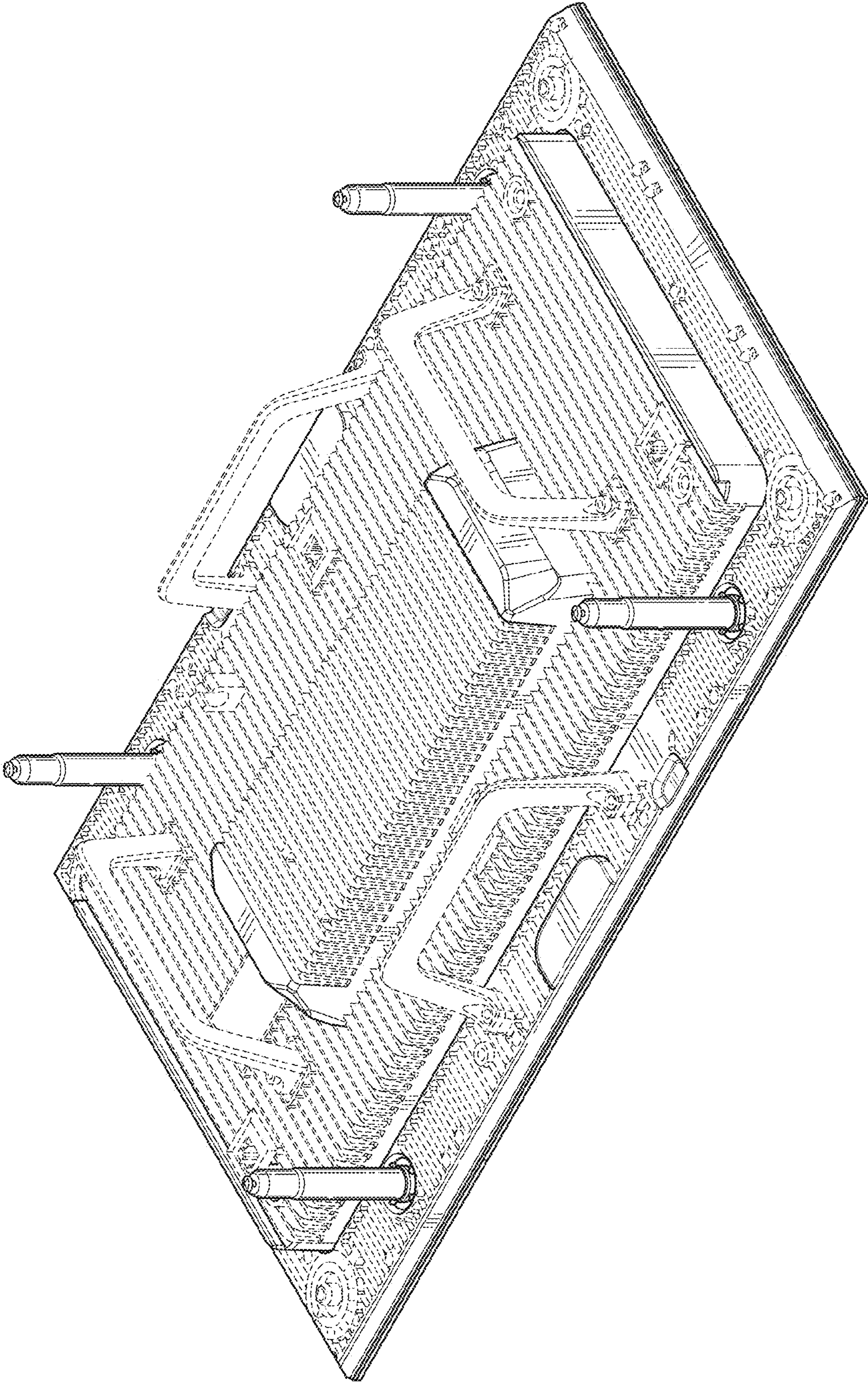


FIG. 1

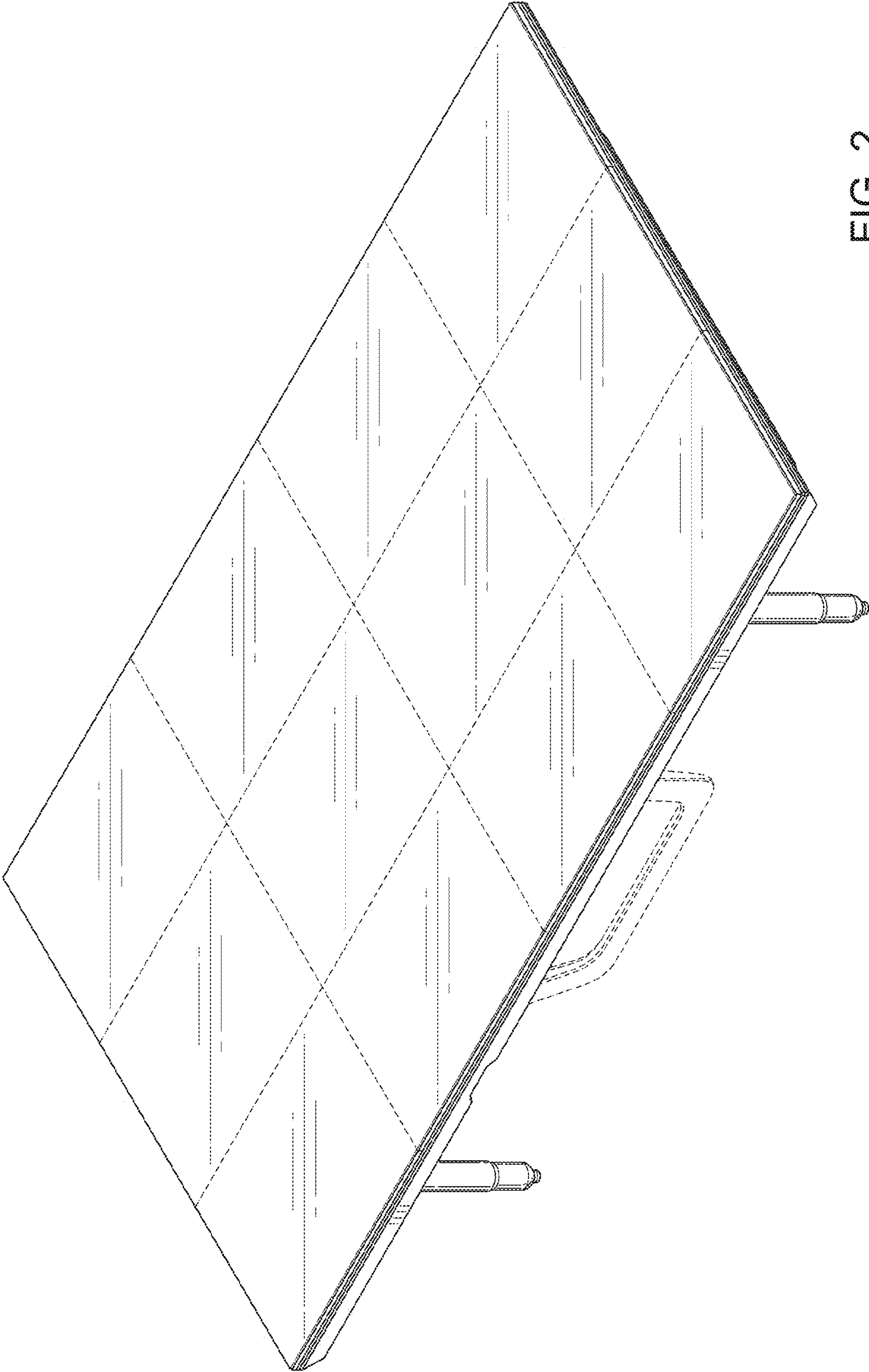


FIG. 2

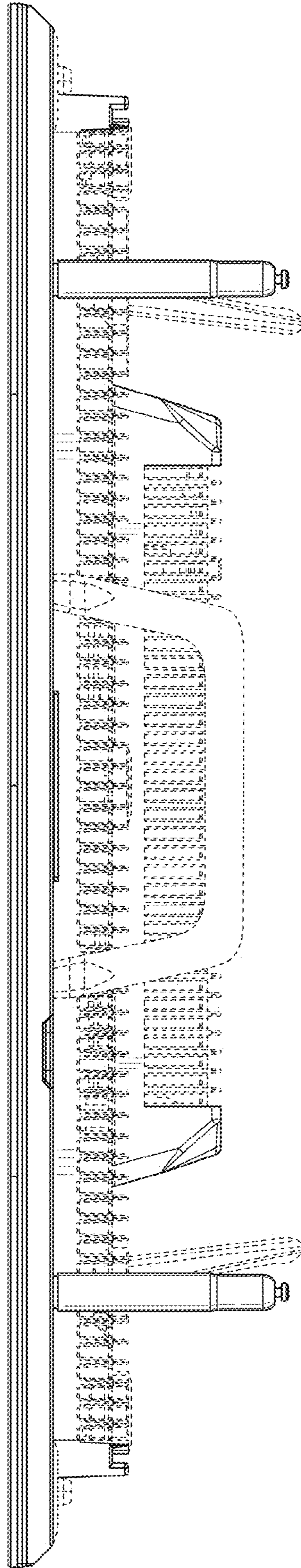


FIG. 3

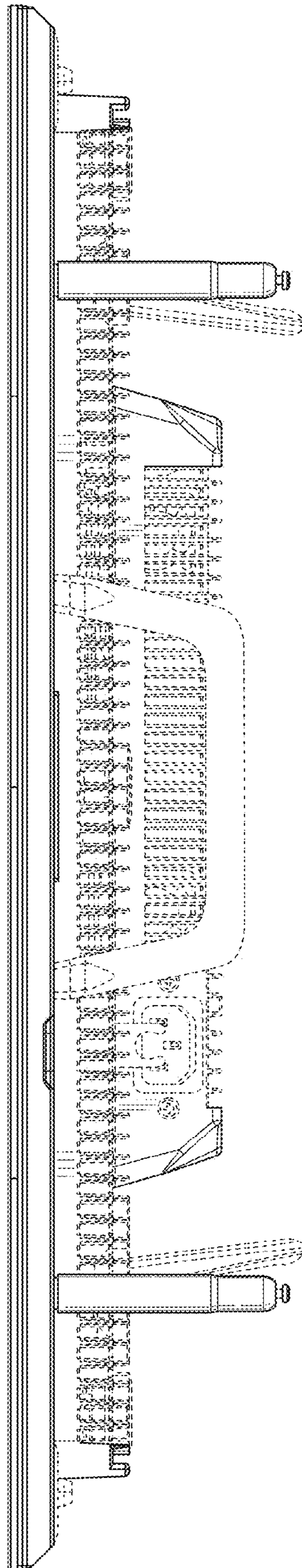


FIG. 4

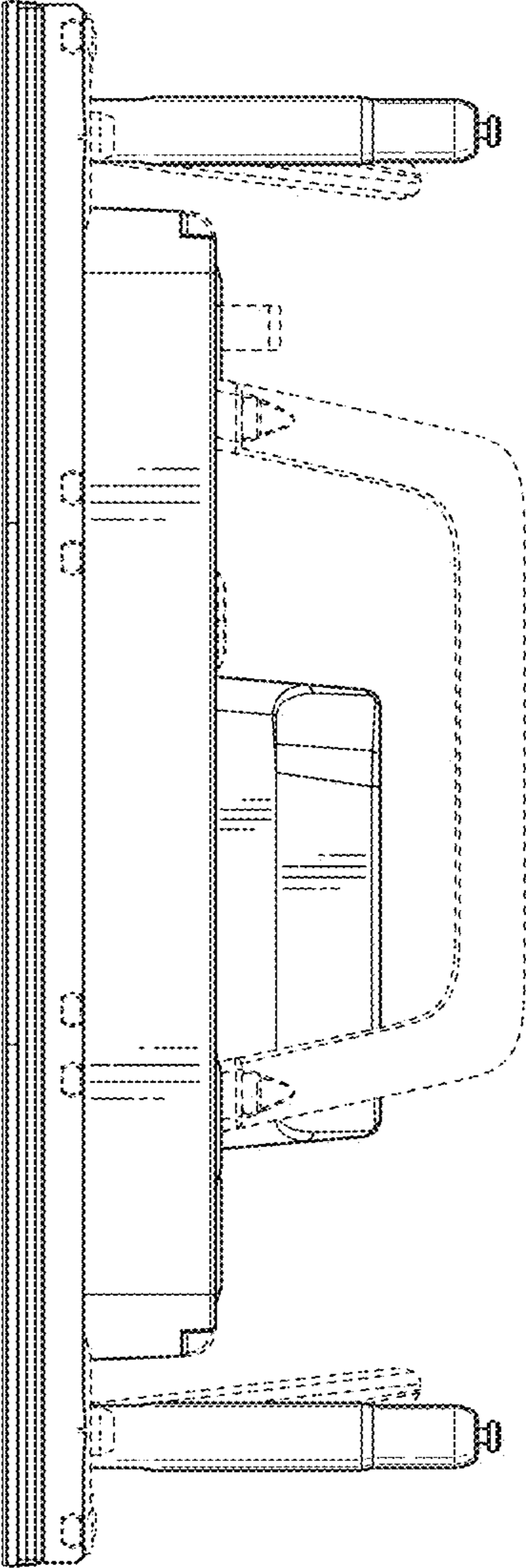


FIG. 5

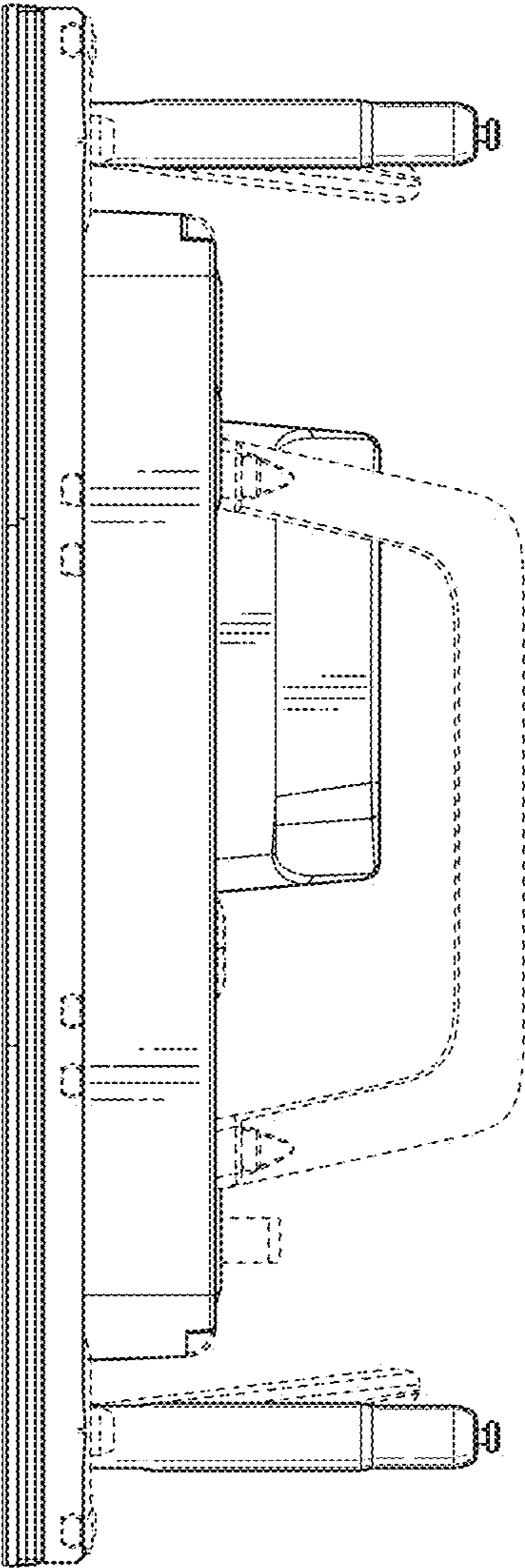


FIG. 6

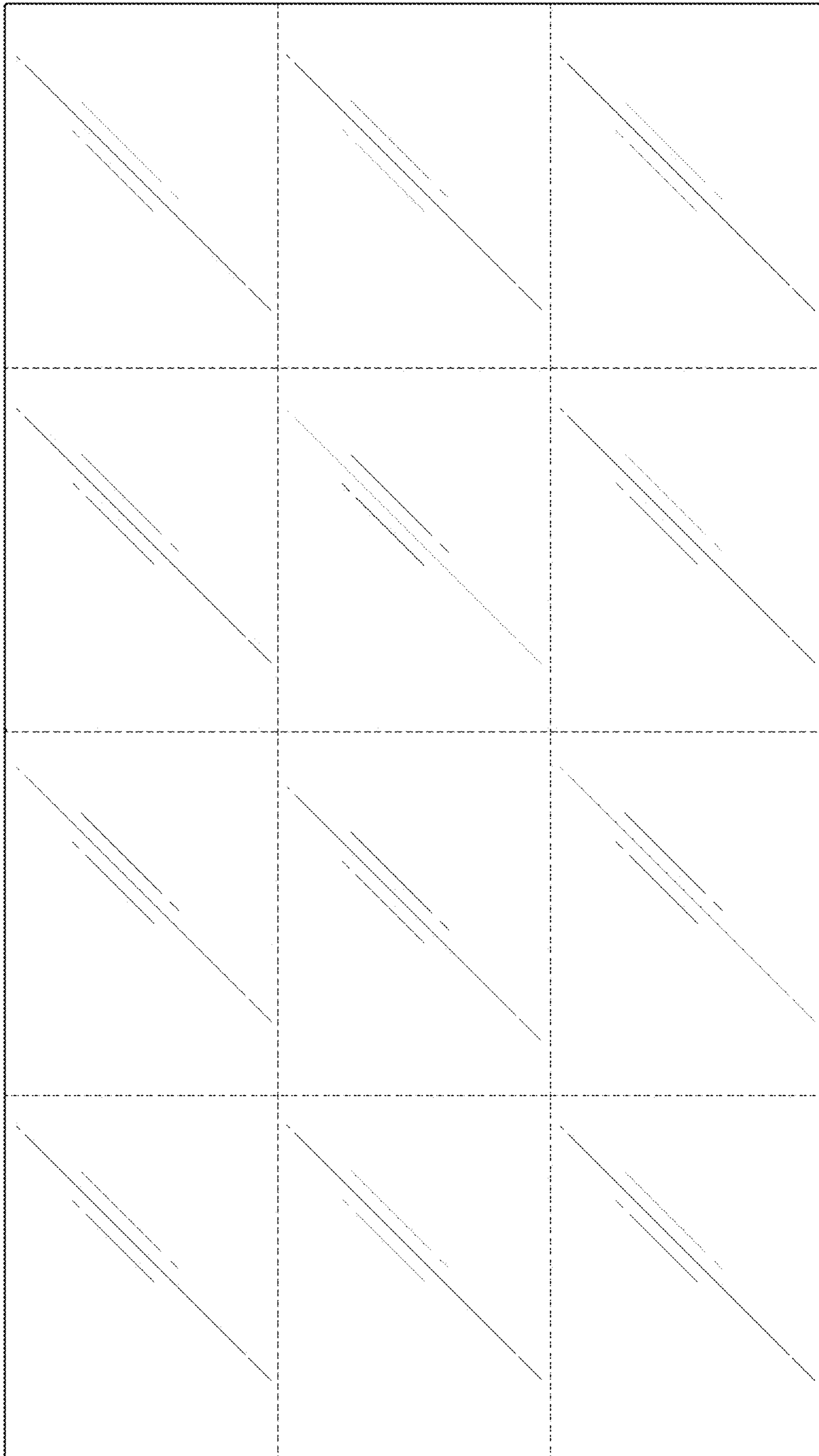


FIG. 7

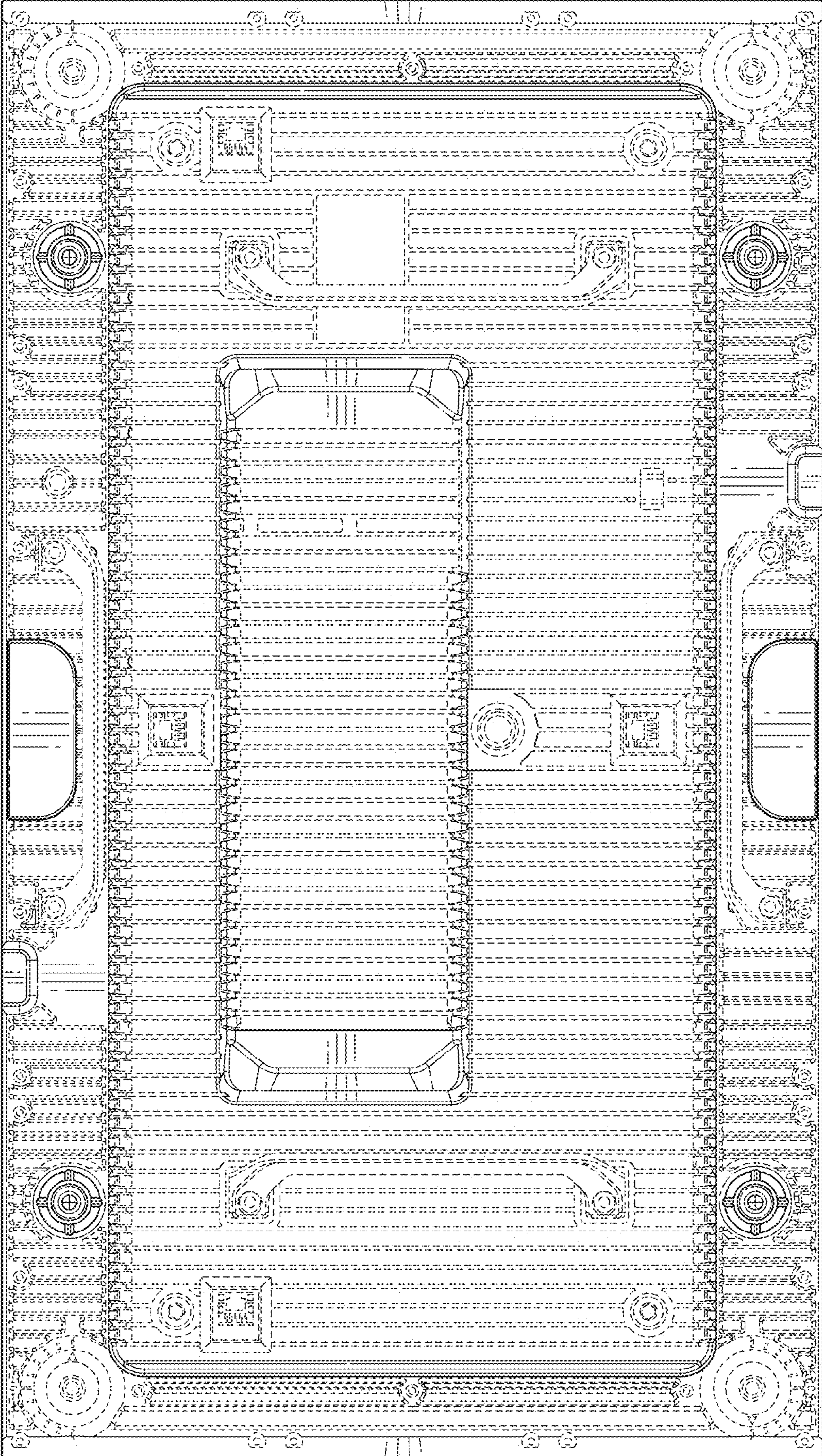


FIG. 8