



US00D954147S

(12) **United States Design Patent**
Lu et al.

(10) **Patent No.:** **US D954,147 S**
(45) **Date of Patent:** **** Jun. 7, 2022**

- (54) **LED DISPLAY SCREEN**
- (71) Applicant: **ROE Visual Co., Ltd.**, Shenzhen (CN)
- (72) Inventors: **Chen Lu**, Shenzhen (CN); **Hong Zhang**, Shenzhen (CN); **Huanjun Zeng**, Shenzhen (CN)
- (73) Assignee: **ROE Visual Co., Ltd.**, Shenzhen (CN)
- (**) Term: **15 Years**
- (21) Appl. No.: **29/718,558**
- (22) Filed: **Dec. 26, 2019**

D487,779 S * 3/2004 Rose D20/19
 D493,463 S * 7/2004 Takahashi D14/371
 6,813,853 B1 * 11/2004 Tucker G09F 9/33
 345/82

(Continued)

(30) **Foreign Application Priority Data**

Dec. 9, 2019 (CN) 201930685511.5

(51) **LOC (13) Cl.** **20-02**

(52) **U.S. Cl.**
USPC **D20/10**

(58) **Field of Classification Search**

USPC D14/126, 127, 129, 130, 132, 133, 159,
 D14/239, 307, 336, 371, 372, 373, 374,
 D14/375, 376, 383, 448, 451, 496, 449,
 D14/343; D20/10, 18, 19, 21, 39;
 D26/120, 122, 138

CPC G09F 9/302; G09F 9/3023; G09F 9/3026;
 G09F 9/33; G09F 9/335; G09G 2300/026;
 F16M 11/00; H05K 7/18; H05K 7/02954;
 G06F 3/1446; H01L 27/3237; H01L
 27/3241; H01L 27/3293

See application file for complete search history.

(56) **References Cited**

U.S. PATENT DOCUMENTS

D213,592 S * 3/1969 Anders D14/127
 6,169,632 B1 * 1/2001 Kurtenbach G09F 9/33
 359/620
 D482,403 S * 11/2003 Rose G09F 9/3026
 D20/19

OTHER PUBLICATIONS

LED displays (Design—© Questel) orbit.com. [online PDF of Foreign references] 94 pgs. Print Dates range Jul. 11, 2017-Oct. 15, 2021 [Retrieved Feb. 4, 2022] <https://www.orbit.com/export/QPTUJ214/pdf2/65d968be-035a-4bc8-9185-d37464b921cf-014552.pdf>.*

Primary Examiner — Marie D. Fast Horse

(74) *Attorney, Agent, or Firm* — Westbridge IP LLC

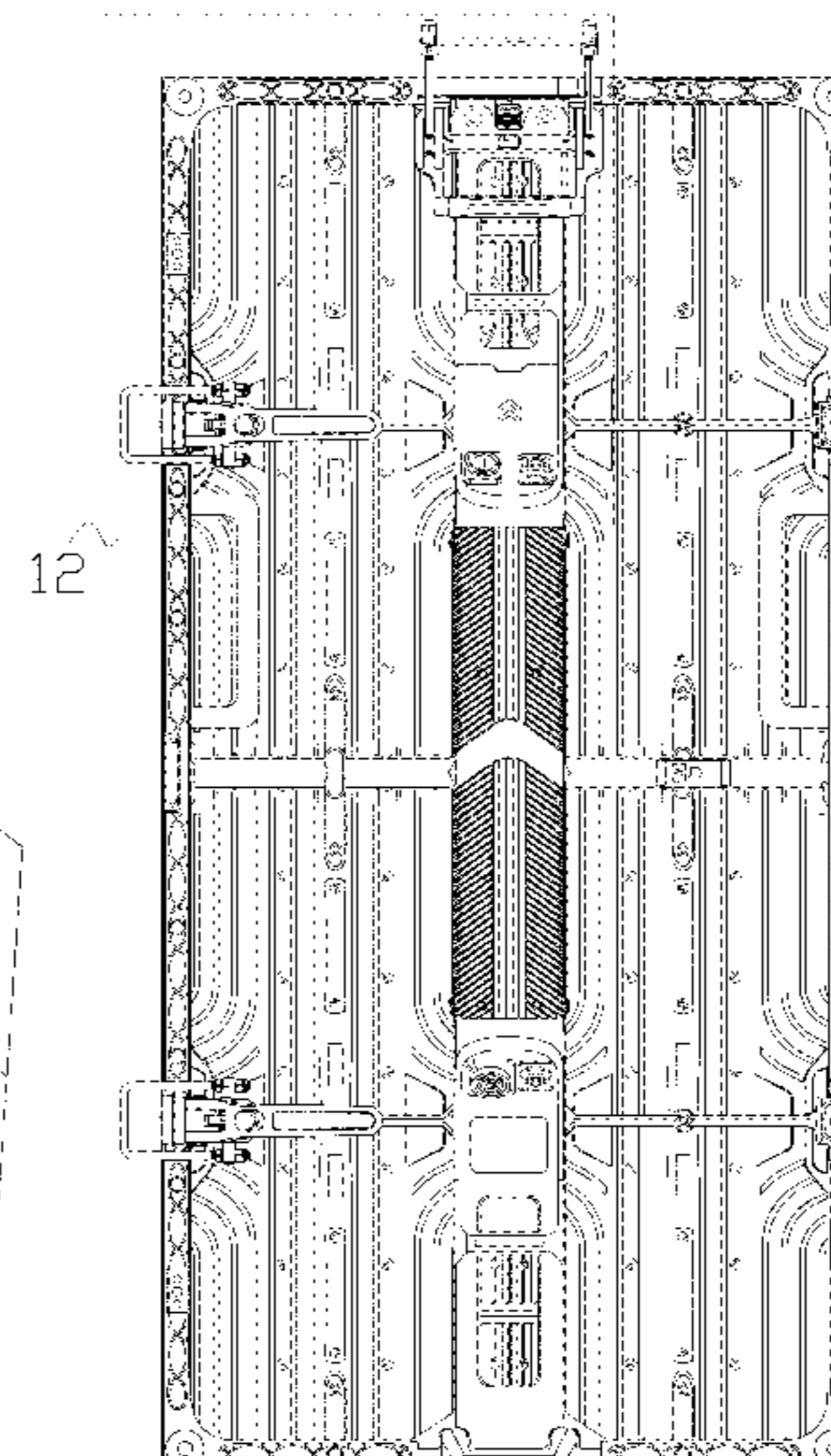
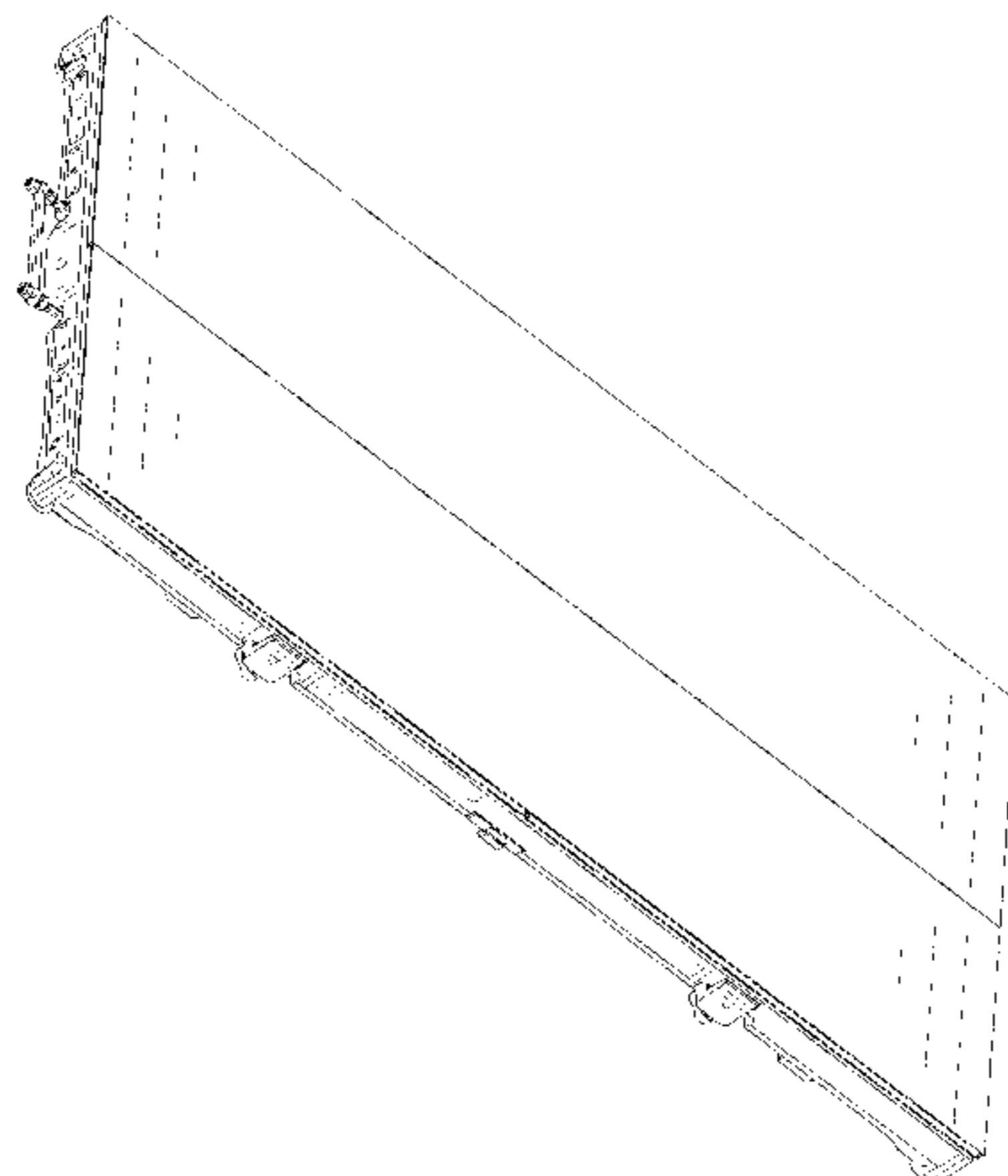
(57) **CLAIM**

The ornamental design for an LED display screen, as shown and described.

DESCRIPTION

FIG. 1 is a bottom, front and left side perspective view of an LED display screen showing our new design;
 FIG. 2 is a bottom, rear and left side perspective view thereof;
 FIG. 3 is a top, rear and right side perspective view thereof;
 FIG. 4 is a front elevational view thereof;
 FIG. 5 is a rear elevational view thereof;
 FIG. 6 is a left side view thereof;
 FIG. 7 is a right side view thereof;
 FIG. 8 is a top plan view thereof;
 FIG. 9 is a bottom plan view thereof;
 FIG. 10 is an enlarged view of portion 10 in FIG. 1;
 FIG. 11 is an enlarged view of portion 11 in FIG. 1;
 FIG. 12 is an enlarged view of portion 12 in FIG. 4; and,
 FIG. 13 is an enlarged view of portion 13 in FIG. 5.
 The broken lines in the drawings illustrate portions of the LED display screen which form no part of the claimed design.

1 Claim, 13 Drawing Sheets



(56)

References Cited

U.S. PATENT DOCUMENTS

6,816,389 B1 *	11/2004	Lutz	H05K 5/0247				
				361/801				
D503,745 S *	4/2005	Yasuoka	D20/12				
D510,956 S *	10/2005	Yasuoka	D20/12				
7,055,271 B2 *	6/2006	Lutz	G09F 9/3026				
				40/605				
D524,063 S *	7/2006	Berg	D20/10				
D595,294 S *	6/2009	Woodward	D14/373				
D608,315 S *	1/2010	Mitsubishi	D14/134				
7,694,444 B2 *	4/2010	Miller	G09F 9/3026				
				40/448				
D624,513 S *	9/2010	Mitsubishi	D14/126				
7,869,198 B1 *	1/2011	Nearman	G09F 9/3026				
				292/201				
D633,454 S *	3/2011	Mitsubishi	D14/126				
D645,467 S *	9/2011	Mitsubishi	D14/374				
8,172,097 B2 *	5/2012	Nearman	G09F 9/3026				
				211/189				
D681,263 S *	4/2013	Van Eekeren	D26/122				
D702,682 S *	4/2014	Xu	D14/371				
D714,871 S *	10/2014	Dysart	D20/10				
D750,173 S *	2/2016	Chen	D20/10				
D780,704 S *	3/2017	Kiridoshi	D13/180				
D786,811 S *	5/2017	Zheng	D13/182				
D798,247 S *	9/2017	Meincke	D13/180				
D804,712 S *	12/2017	Cai	D26/120				
D805,070 S *	12/2017	Cai	D14/371				
D811,649 S *	2/2018	Cai	D26/138				
D821,497 S *	6/2018	Cai	D20/42				
10,009,589 B2 *	6/2018	Wu	G09F 9/33				
D822,113 S *	7/2018	Deng	D20/10				
					D825,559 S *	8/2018	Lu D14/371
					D846,028 S *	4/2019	Svihilik D20/42
					D860,319 S *	9/2019	Beruto D14/126
					10,531,581 B2 *	1/2020	Seo G09F 9/3026
					10,713,979 B2 *	7/2020	Cai G09F 9/302
					D893,077 S *	8/2020	Liu D26/76
					10,990,123 B2 *	4/2021	Cai G09F 9/3026
					D920,432 S *	5/2021	Lee D20/42
					D920,434 S *	5/2021	Hwang D20/42
					11,011,084 B1 *	5/2021	Hemphill H01R 13/6205
					D930,630 S *	9/2021	Lee D14/127
					D930,631 S *	9/2021	Lee D14/127
					D930,632 S *	9/2021	Lee D14/127
					D931,262 S *	9/2021	Lee D14/127
					D931,263 S *	9/2021	Lee D14/127
					11,122,695 B2 *	9/2021	Yi H05K 5/03
					11,150,855 B2 *	10/2021	Monsees G09F 9/3026
					11,183,087 B1 *	11/2021	Timmins G09F 9/3026
					2007/0000849 A1 *	1/2007	Lutz G09F 9/33
								211/26
					2012/0218753 A1 *	8/2012	Joffer G09F 9/33
								361/679.01
					2014/0301088 A1 *	10/2014	Lu G09F 9/33
								362/382
					2018/0279469 A1 *	9/2018	Liu H05K 1/189
					2018/0374400 A1 *	12/2018	Cai G09F 9/302
					2020/0310502 A1 *	10/2020	Cho G09F 9/33
					2020/0350476 A1 *	11/2020	Lee G02B 27/0006
					2021/0005798 A1 *	1/2021	Wu H01L 25/0753
					2021/0048855 A1 *	2/2021	Hao F16M 11/041
					2021/0091282 A1 *	3/2021	Li G09F 9/33
					2021/0134212 A1 *	5/2021	Kim G09G 3/3208
					2021/0225818 A1 *	7/2021	Zhang G09F 9/33

* cited by examiner

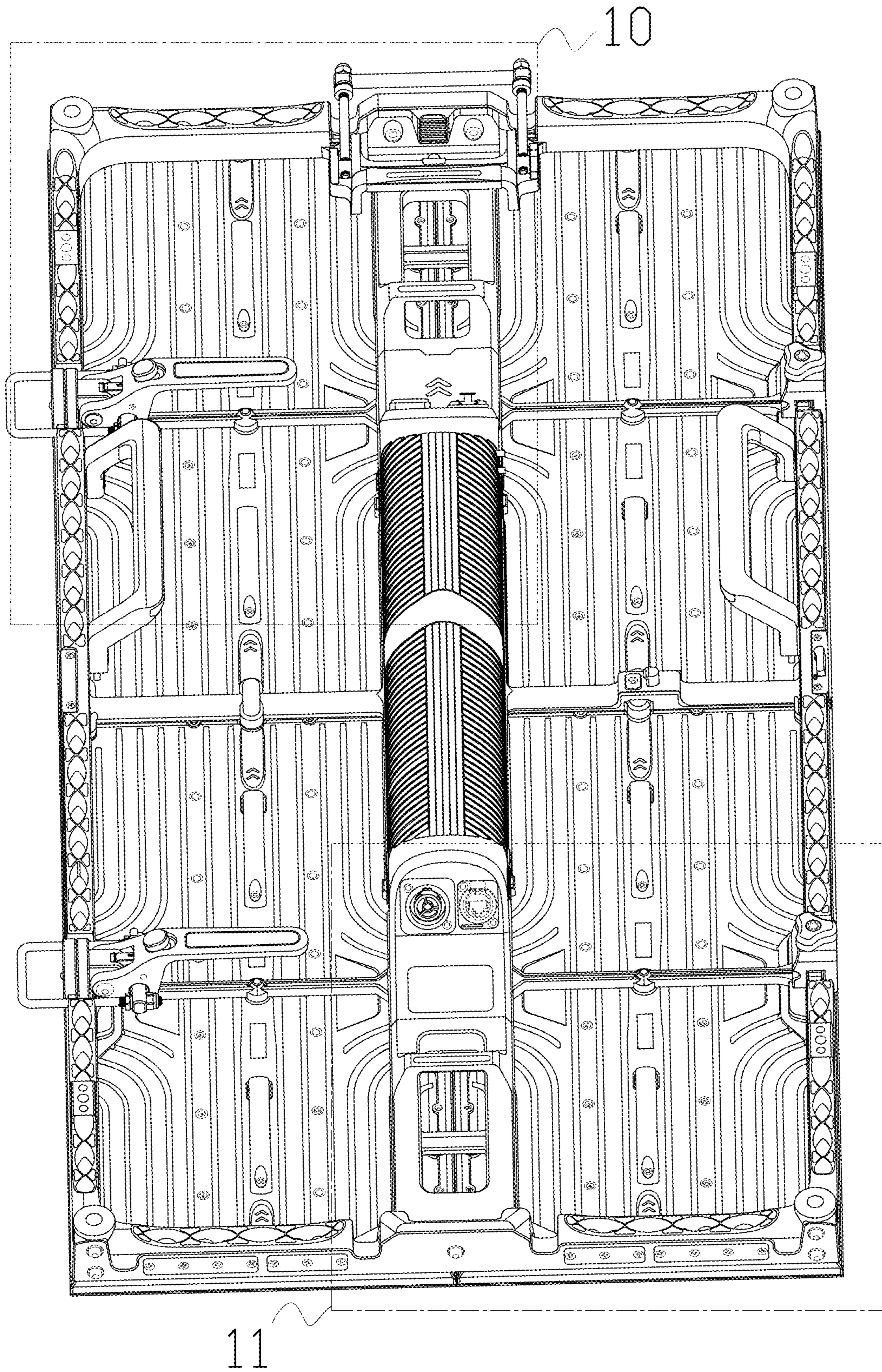


FIG. 1

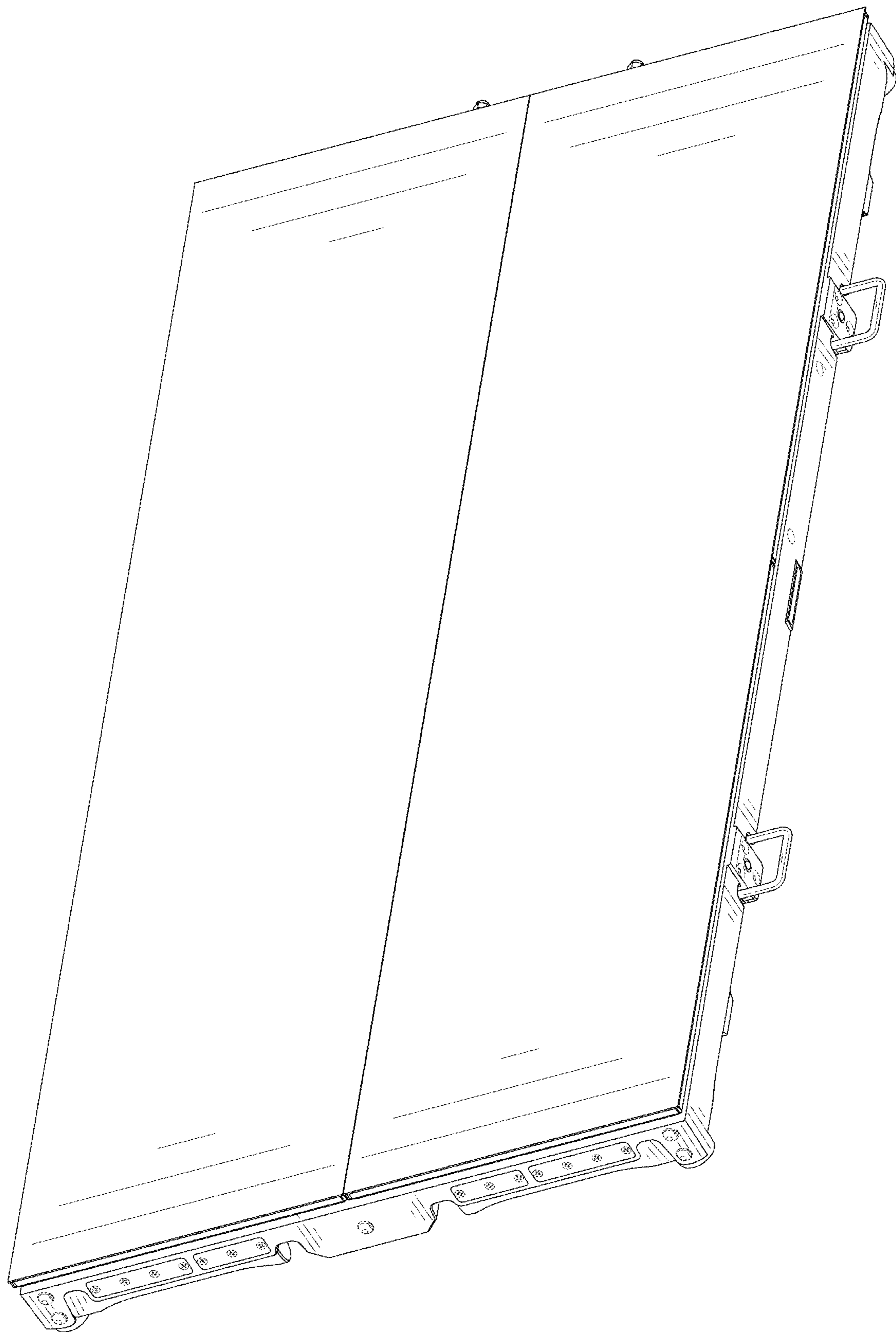


FIG. 2

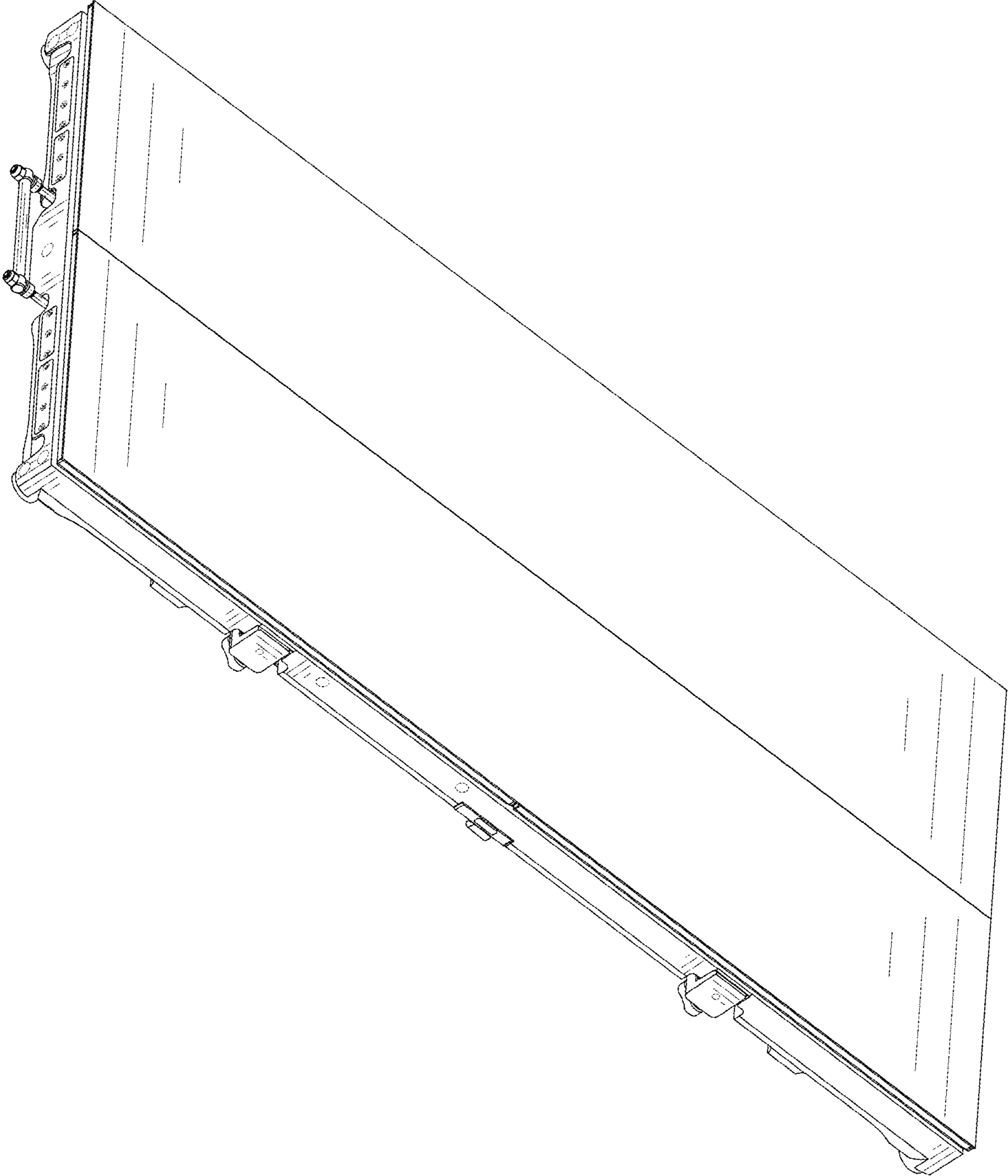


FIG. 3

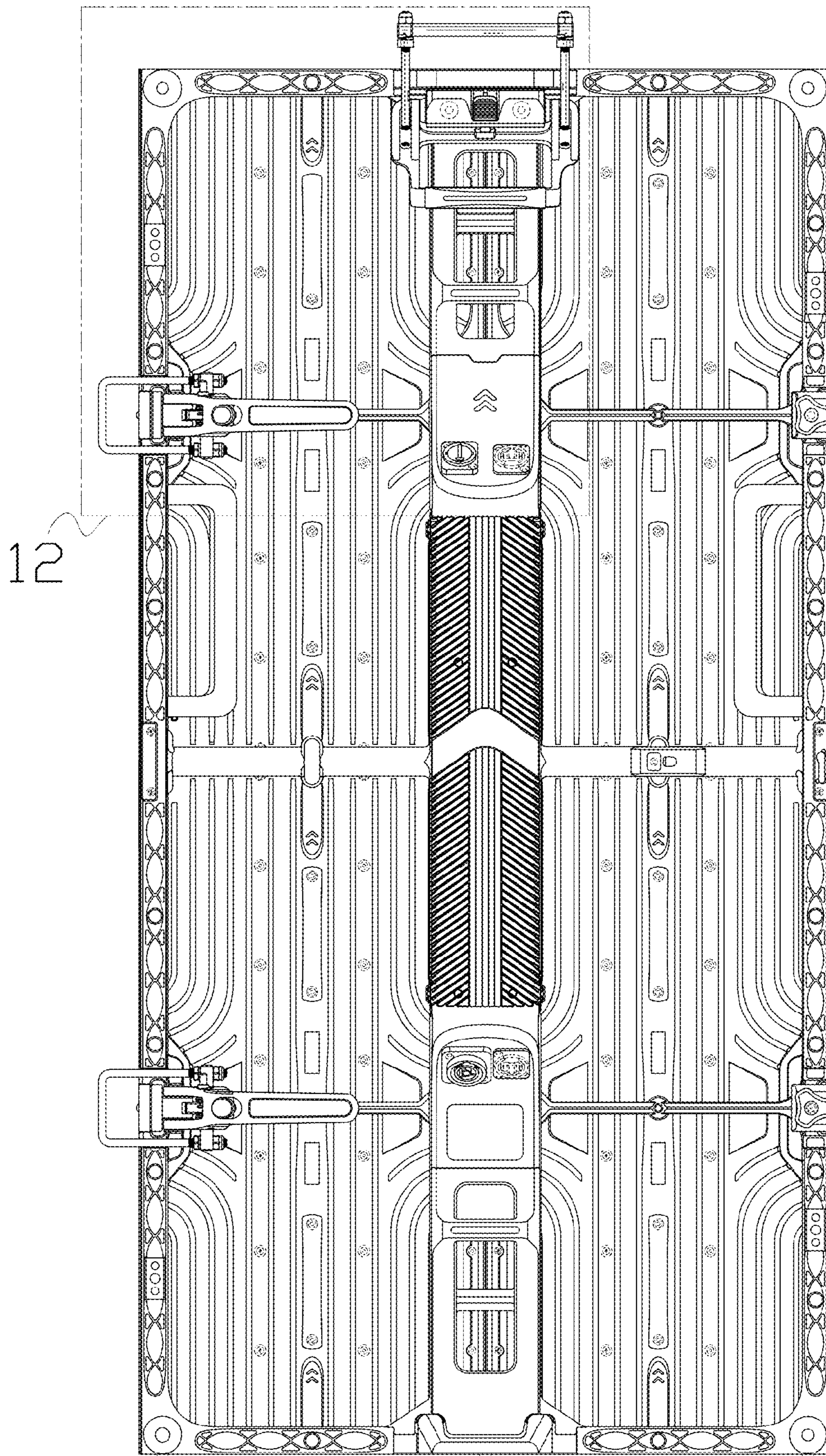


FIG. 4

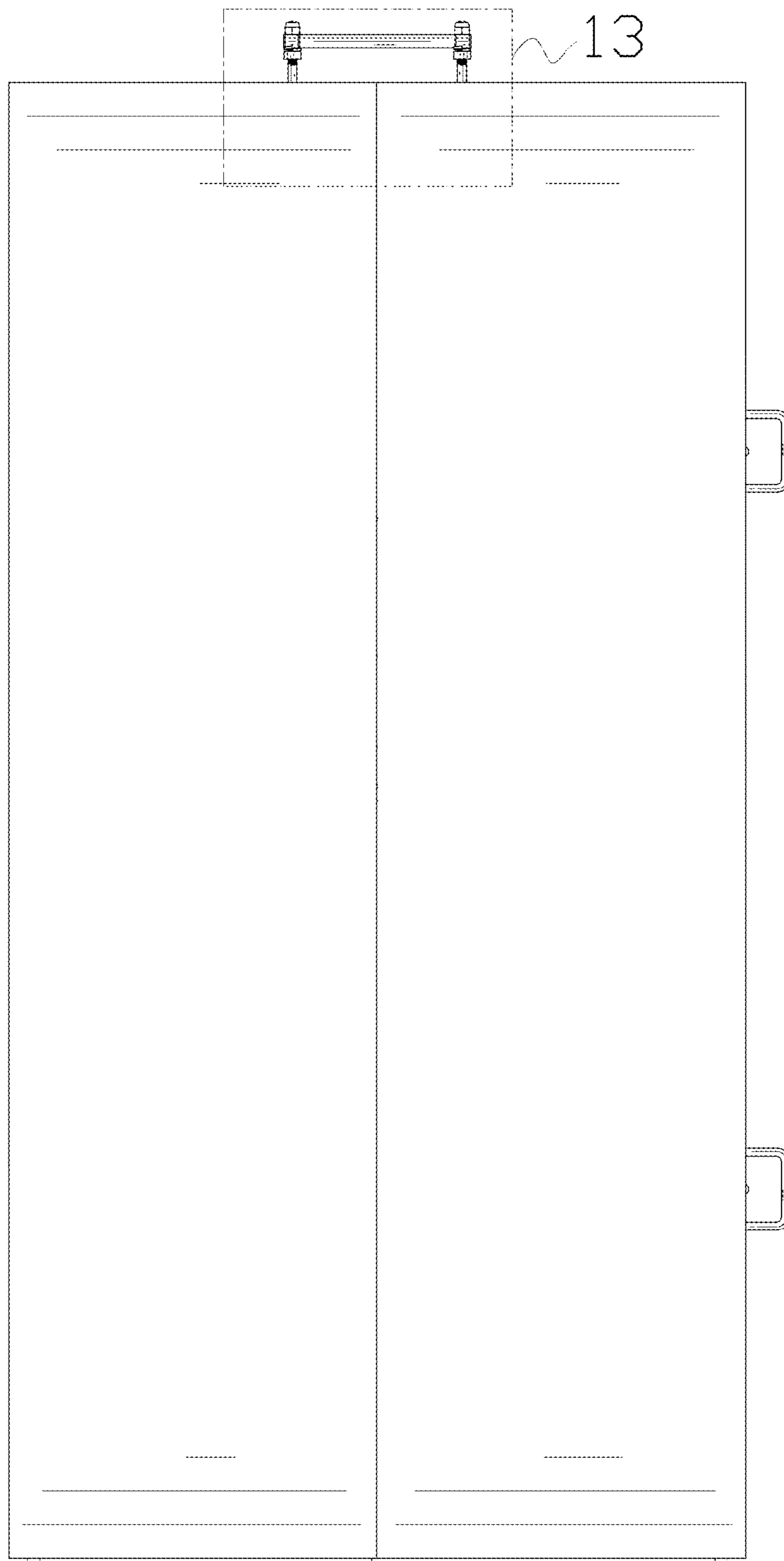


FIG. 5

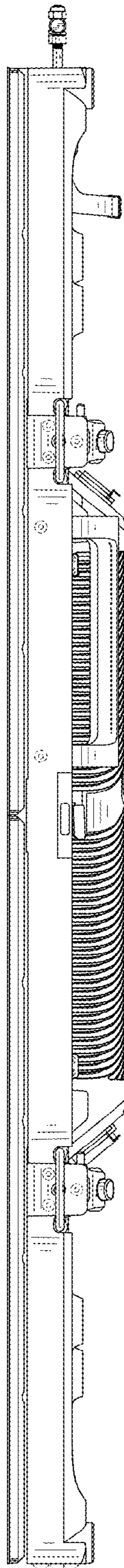


FIG. 6

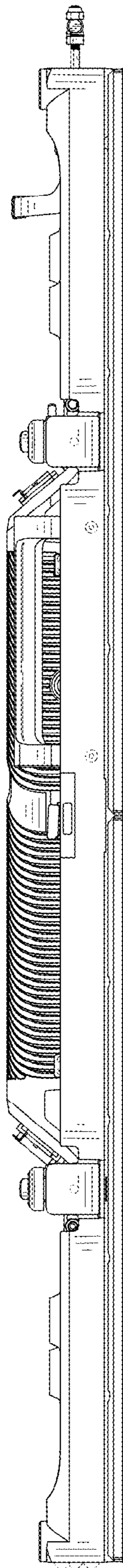


FIG. 7

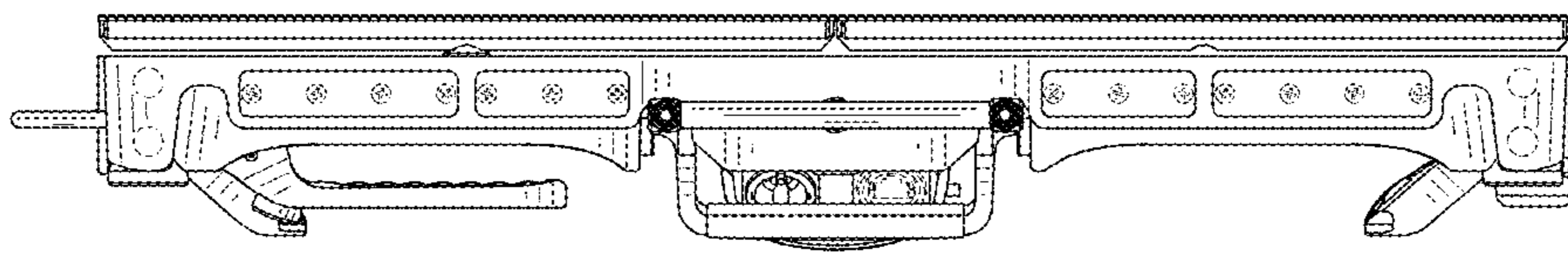


FIG. 8

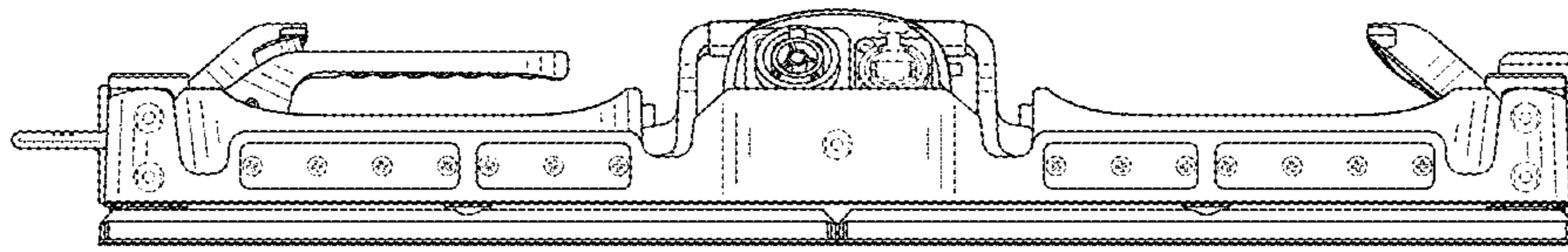


FIG. 9

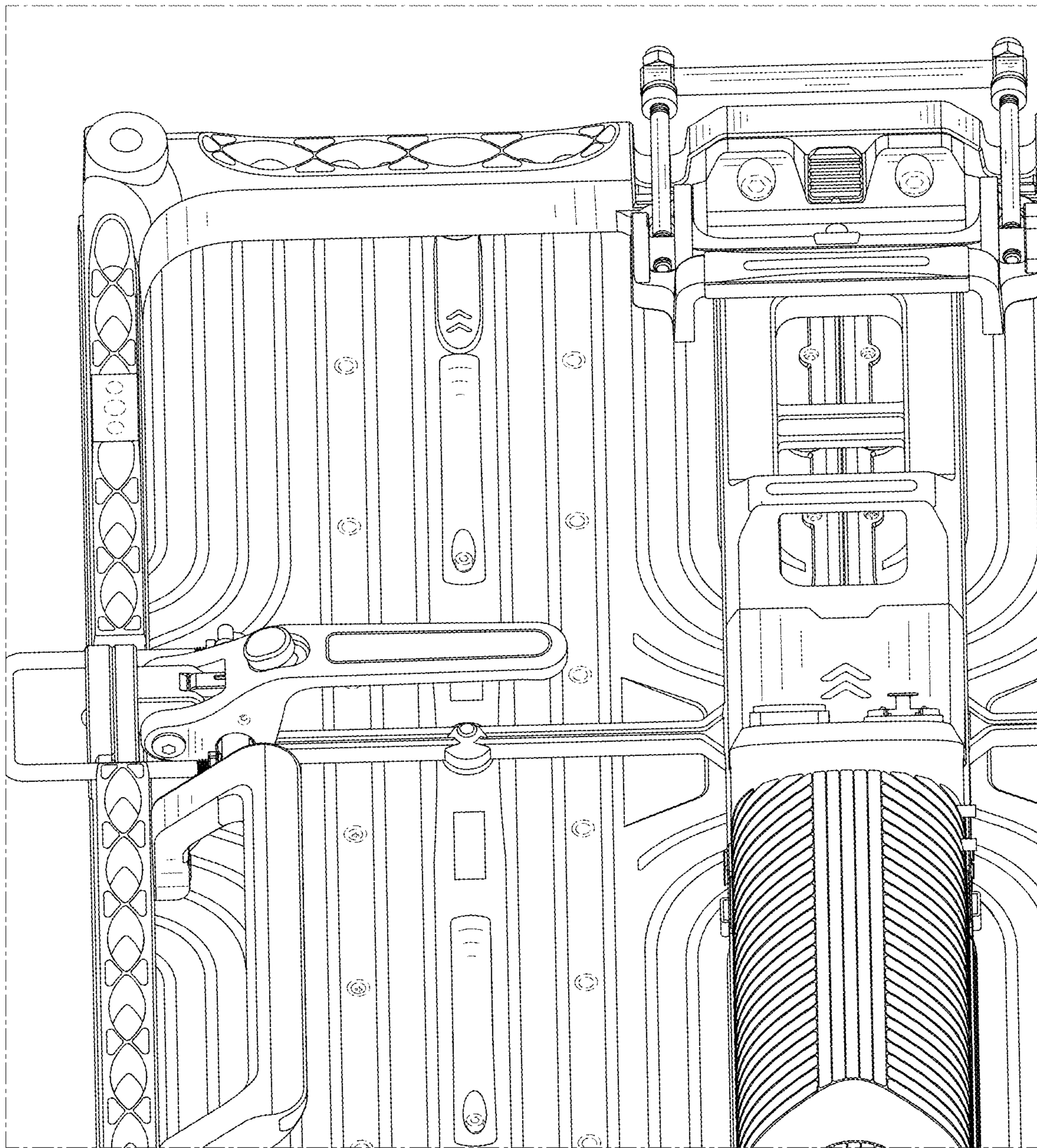


FIG. 10

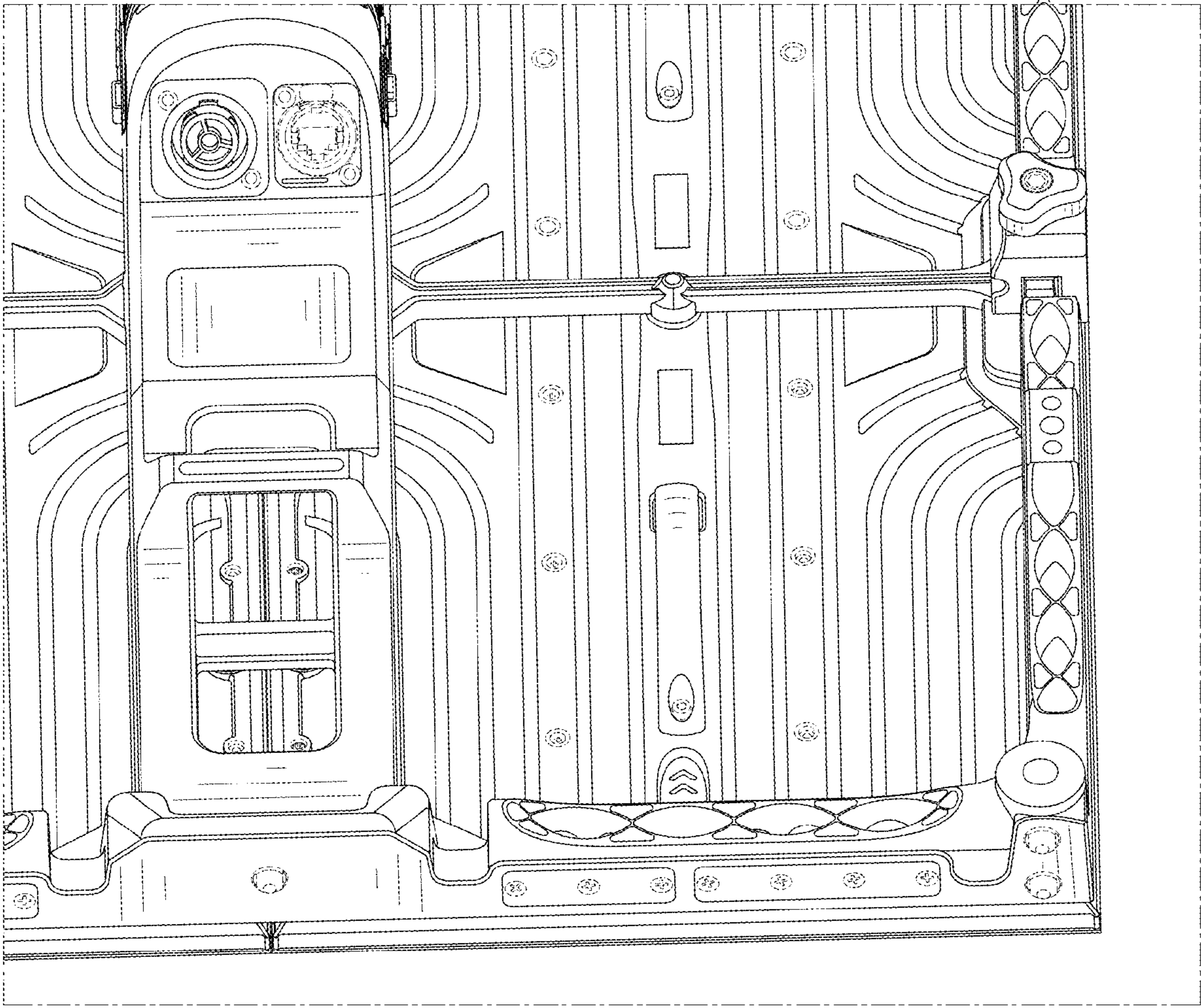


FIG. 11

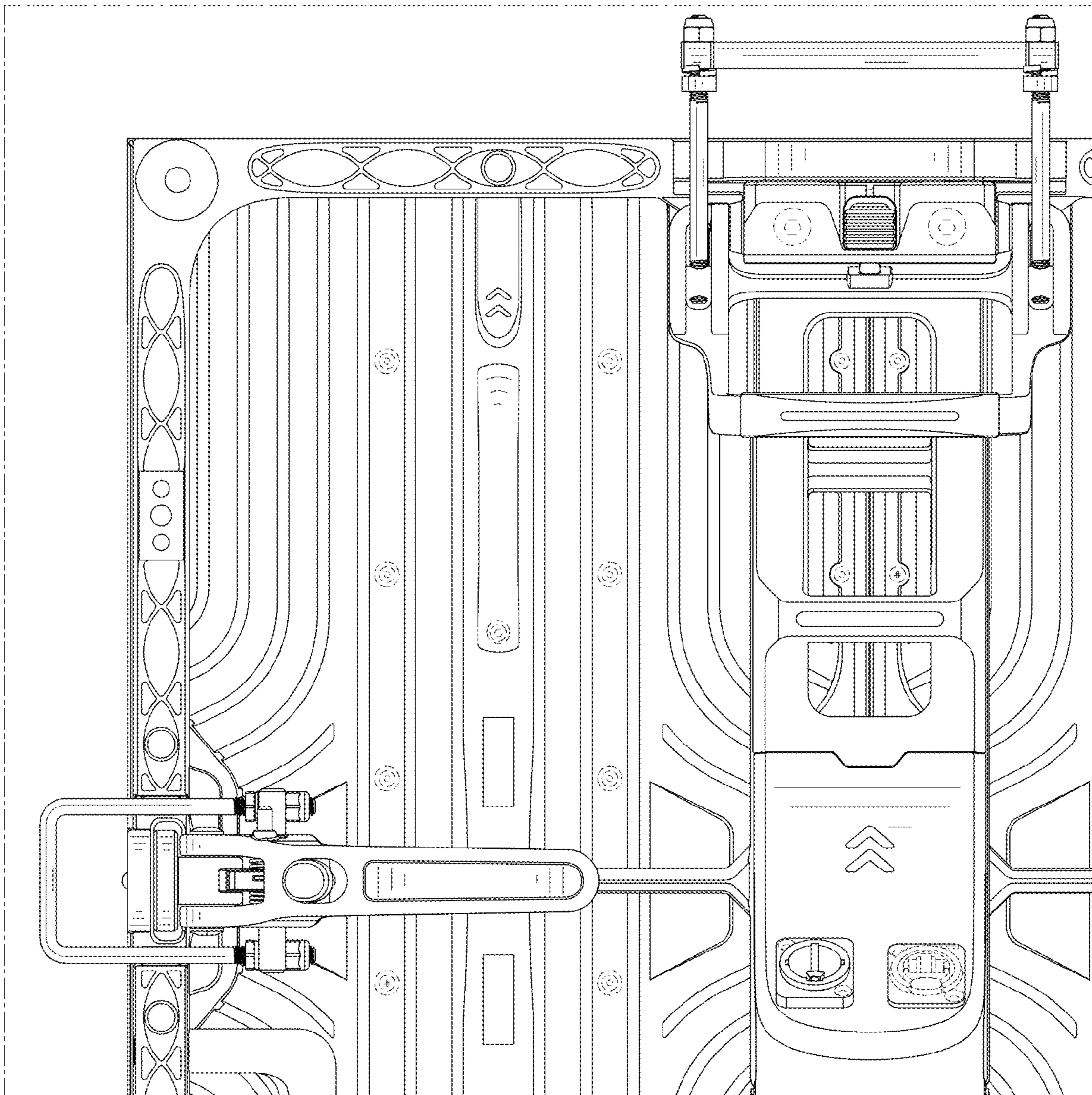


FIG. 12

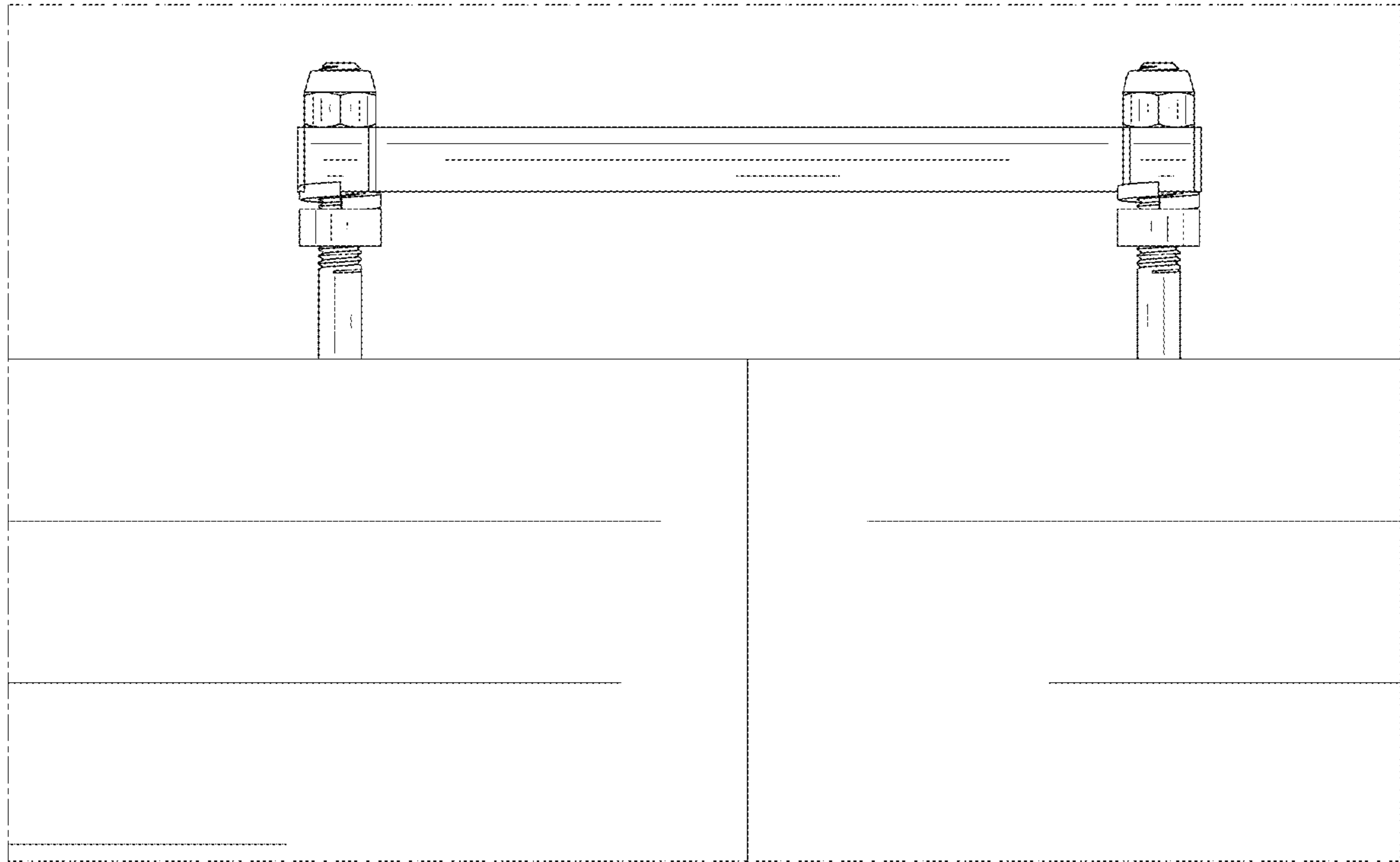


FIG. 13