



US00D954146S

(12) **United States Design Patent**
Epstein

(10) **Patent No.:** **US D954,146 S**

(45) **Date of Patent:** **** Jun. 7, 2022**

- (54) **PEN**
- (71) Applicant: **Spec.MFG LLC**, Lakewood, NJ (US)
- (72) Inventor: **David A. Epstein**, Lakewood, NJ (US)
- (73) Assignee: **Spec.MFG LLC**, Lakewood, NJ (US)
- (**) Term: **15 Years**
- (21) Appl. No.: **29/738,918**
- (22) Filed: **Jun. 21, 2020**

- D577,067 S * 9/2008 Koch D19/174
- D586,855 S * 2/2009 Liu D19/174
- D601,197 S * 9/2009 Zhang D19/174

(Continued)

Primary Examiner — Elizabeth A. Albert
(74) *Attorney, Agent, or Firm* — Bochner IP, PLLC;
Andrew D. Bochner

(57) **CLAIM**

The ornamental design for a pen, as shown and described.

DESCRIPTION

FIG. 1 is a top, front right side perspective view of a first embodiment of a pen showing my new design;
 FIG. 2 is a top plan view thereof on an enlarged scale;
 FIG. 3 is a bottom plan view thereof on an enlarged scale;
 FIG. 4 is a front elevation view thereof;
 FIG. 5 is a rear elevation view thereof;
 FIG. 6 is a left side elevation view thereof, the right side elevation view being a mirror image of the left side view;
 FIG. 7 is a top, front right side perspective view of a second embodiment of the pen of FIG. 1;
 FIG. 8 is a top plan view thereof on an enlarged scale;
 FIG. 9 is a bottom plan view thereof on an enlarged scale;
 FIG. 10 is a front elevation view thereof;
 FIG. 11 is a rear elevation view thereof;
 FIG. 12 is a left side elevation view thereof, the right side elevation view being a mirror image of the left side view;
 FIG. 13 is a top, front right side perspective view of a third embodiment of the pen of FIG. 1;
 FIG. 14 is a top plan view thereof on an enlarged scale;
 FIG. 15 is a bottom plan view thereof on an enlarged scale;
 FIG. 16 is a front elevation view thereof;
 FIG. 17 is a rear elevation view thereof; and,
 FIG. 18 is a left side elevation view thereof, the right side elevation view being a mirror image of the left side view.
 The broken lines form no part of the claimed design.

Related U.S. Application Data

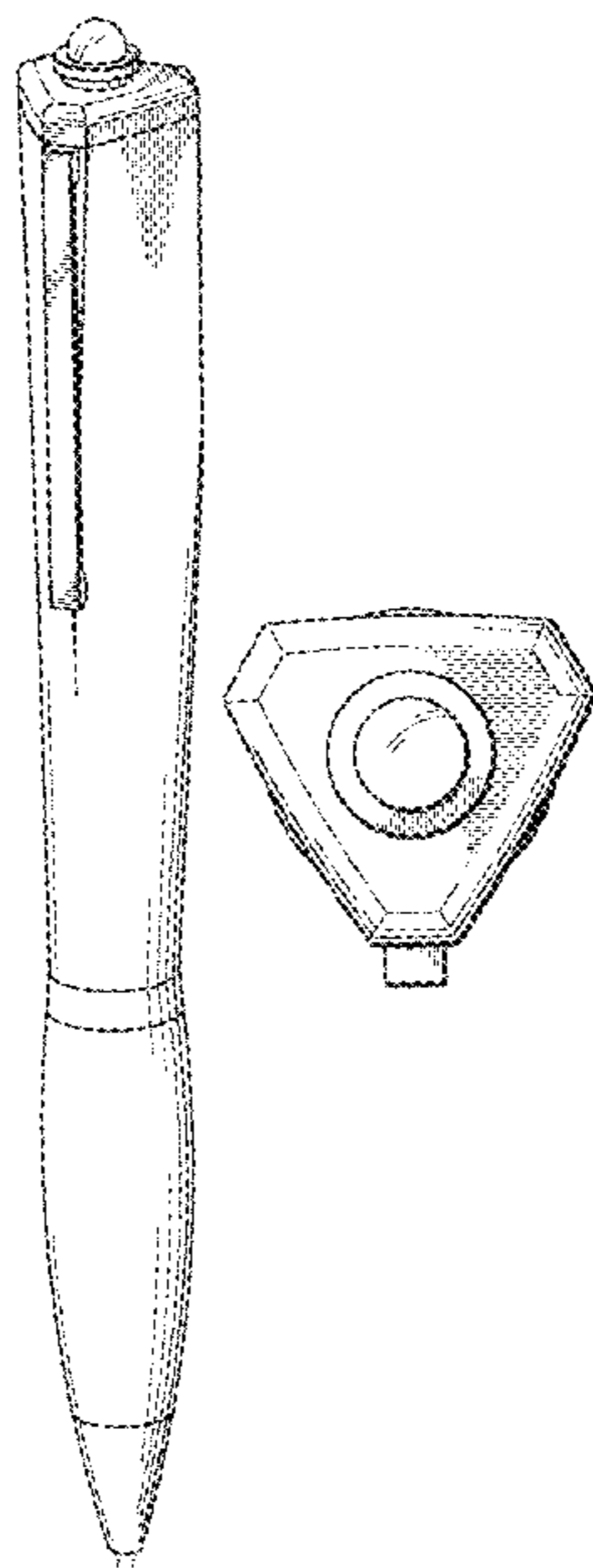
- (62) Division of application No. 29/677,215, filed on Jan. 17, 2019, now Pat. No. Des. 890,844.
- (51) **LOC (13) Cl.** **19-06**
- (52) **U.S. Cl.**
USPC **D19/174**; D19/927
- (58) **Field of Classification Search**
USPC D19/115–204; D14/411
CPC . B43K 5/005; B43K 7/12; B43K 8/00; B43K 8/02; B43K 8/04; B43K 8/06; B43K 19/00; B43K 19/0068; B43K 21/003; B43K 21/006; B43K 21/06
See application file for complete search history.

(56) **References Cited**

U.S. PATENT DOCUMENTS

- D105,623 S * 8/1937 Trolen D19/174
- D161,826 S * 2/1951 Ferber D19/185
- D304,601 S * 11/1989 Alskog D19/177
- D456,842 S * 5/2002 Ono D14/411
- D471,931 S * 3/2003 Lecce D19/170
- D500,522 S * 1/2005 Rommel D19/175
- D501,507 S * 2/2005 Lecce D19/171
- D540,866 S * 4/2007 Qiu D19/174
- D548,785 S * 8/2007 O’Hern D19/177

1 Claim, 6 Drawing Sheets



(56)

References Cited

U.S. PATENT DOCUMENTS

7,815,388	B2 *	10/2010	Busam	B42D 3/12
					401/195
D710,854	S *	8/2014	Huang	D14/411
D724,668	S *	3/2015	Bo	D19/170
D730,988	S *	6/2015	Cleere	D19/201
D755,293	S *	5/2016	Cleere	D19/201
D757,850	S *	5/2016	Zhang	D19/123
D826,327	S *	8/2018	Kermoal	D19/173
D895,725	S *	9/2020	Luo	D19/117
D919,006	S *	5/2021	Epstein	D19/201
D923,091	S *	6/2021	Epstein	D19/183
D925,653	S *	7/2021	Epstein	D19/174
D925,654	S *	7/2021	Epstein	D19/174

* cited by examiner

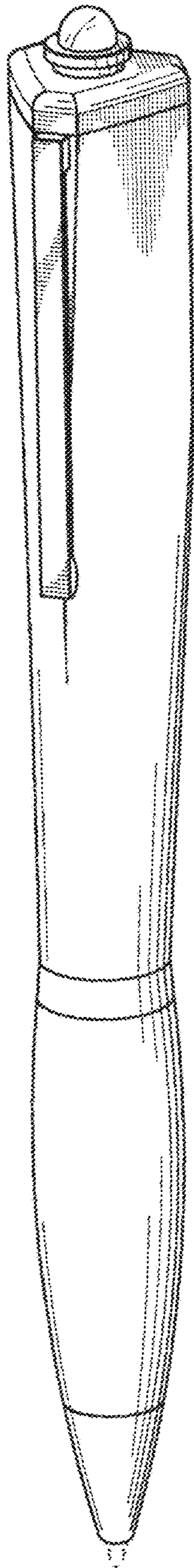


FIG. 1

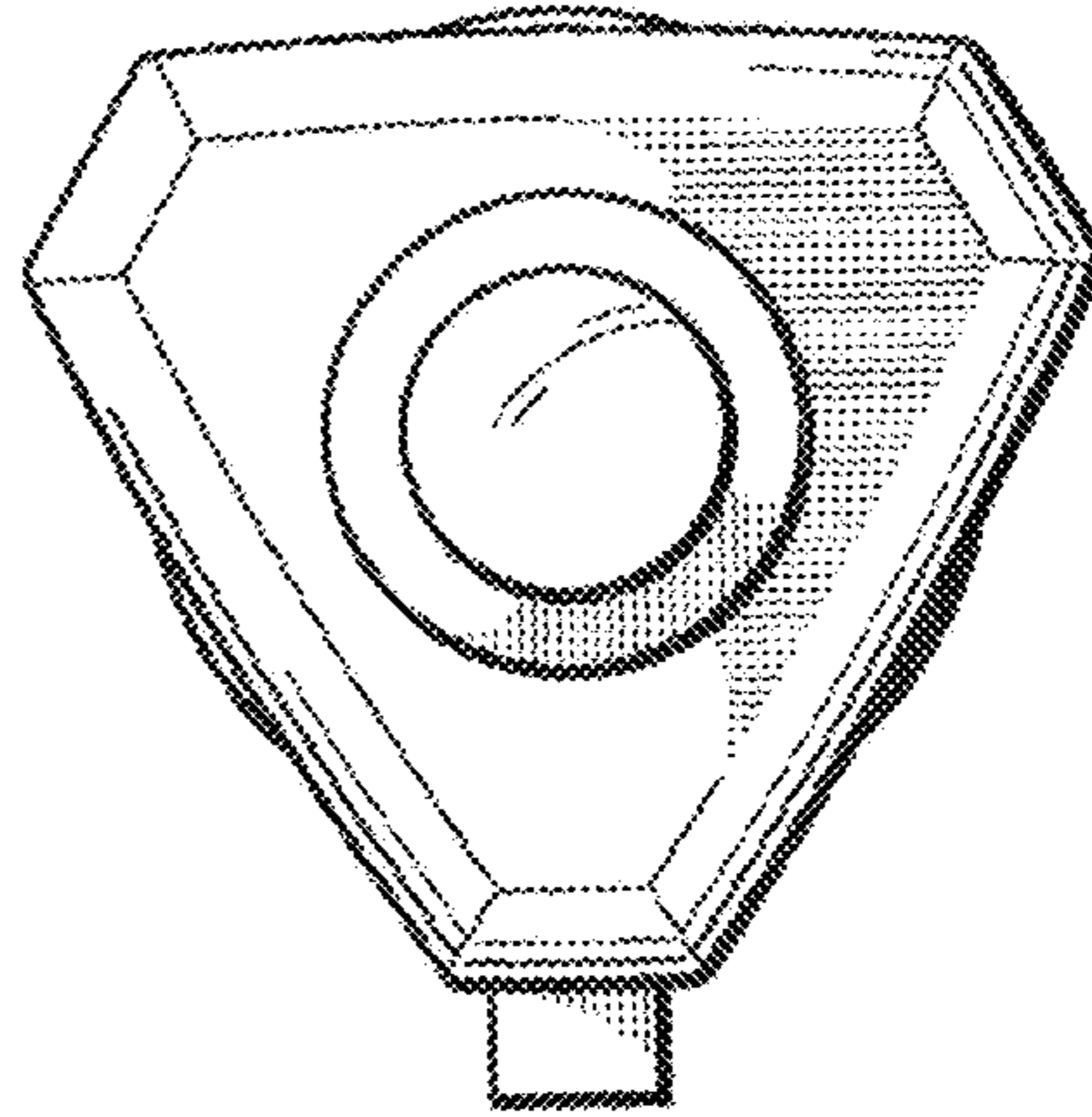


FIG. 2

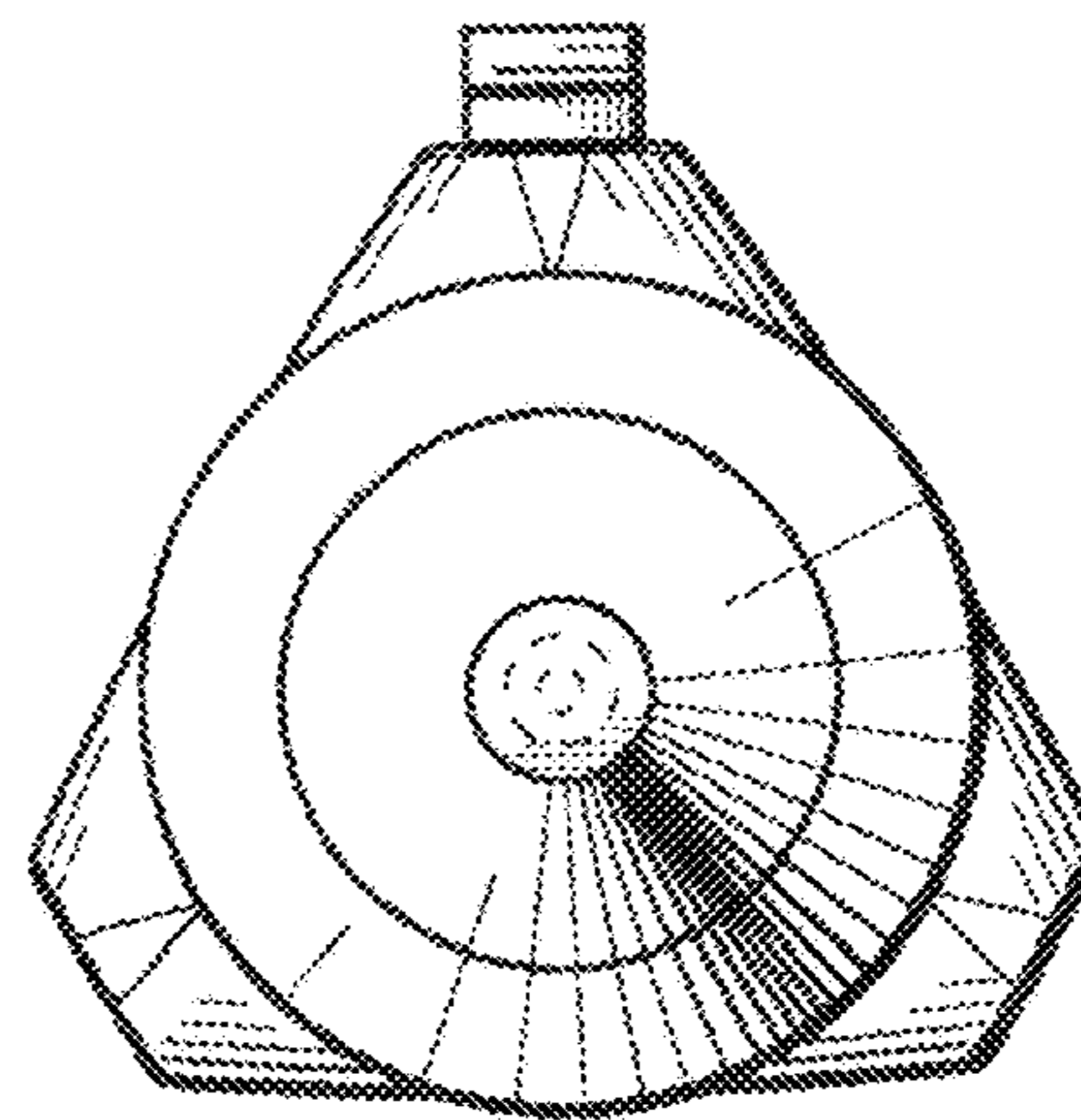


FIG. 3

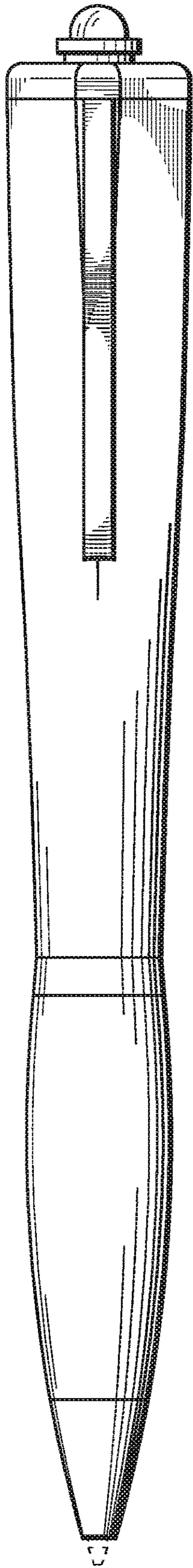


FIG. 4

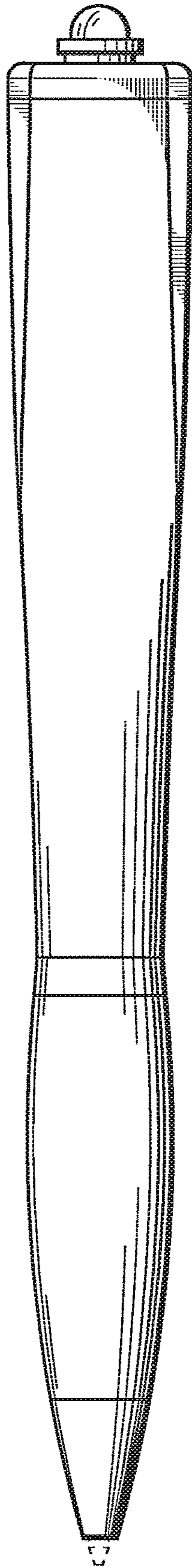


FIG. 5

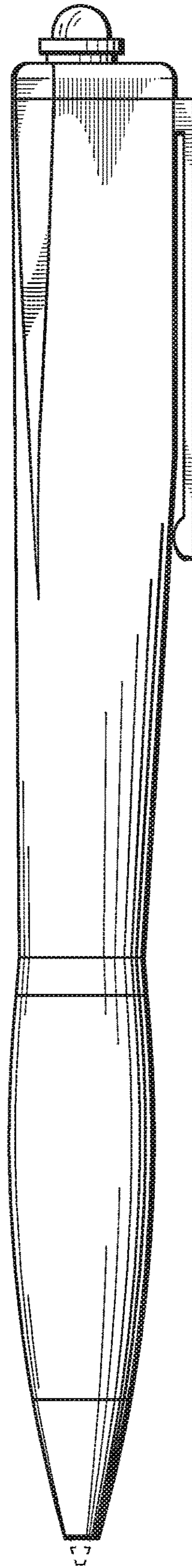


FIG. 6

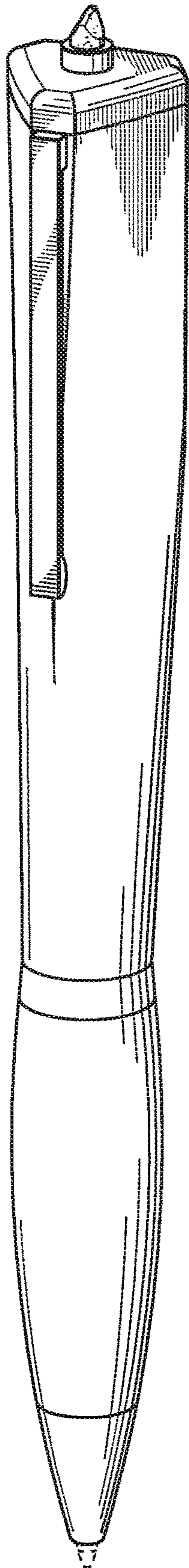


FIG. 7

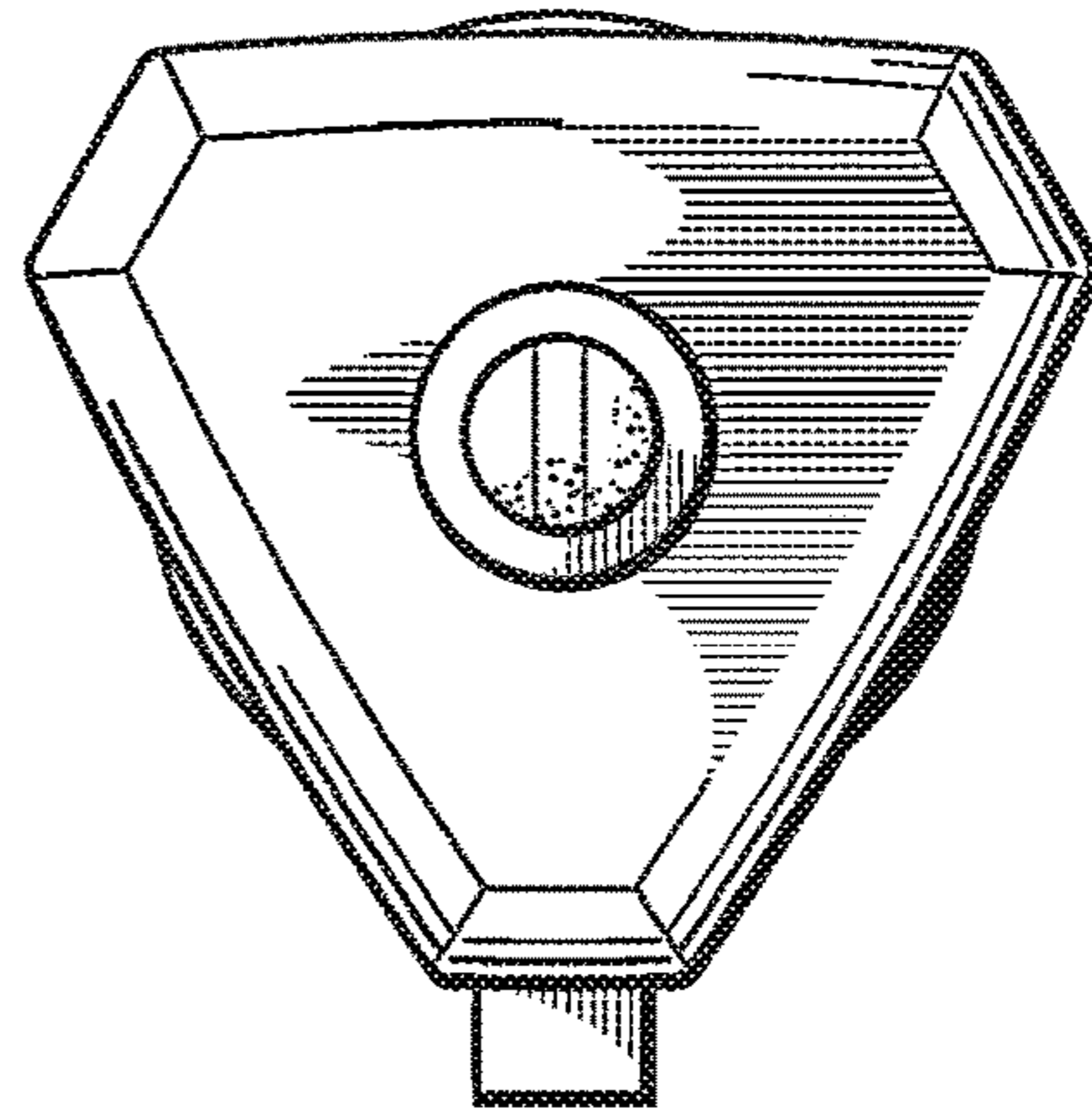


FIG. 8

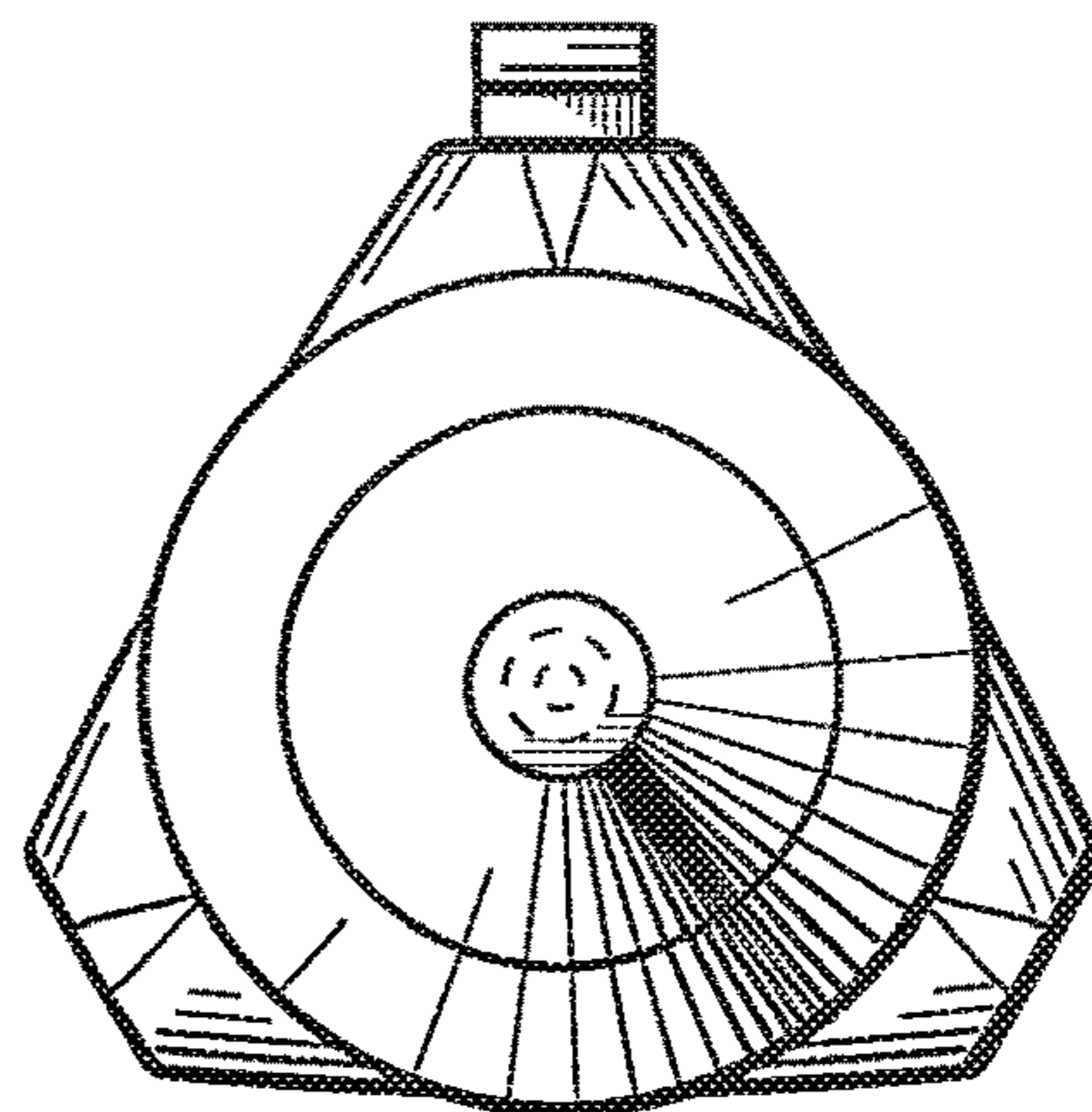


FIG. 9

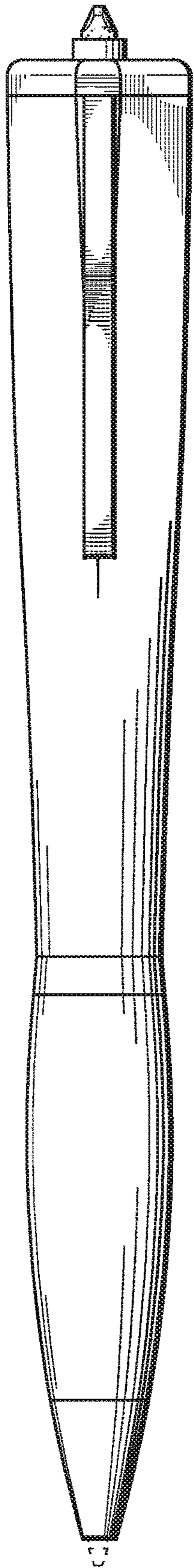


FIG. 10

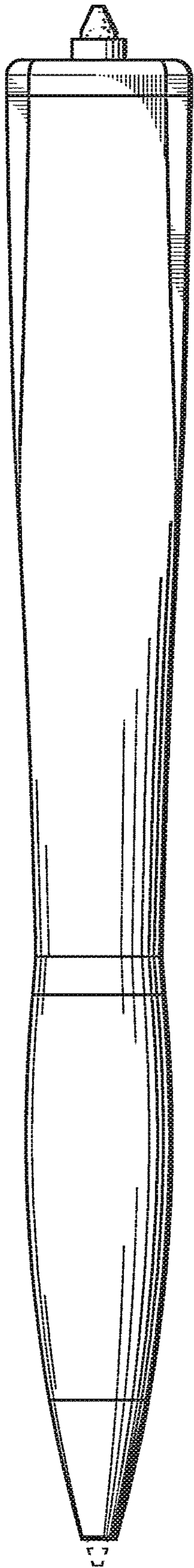


FIG. 11

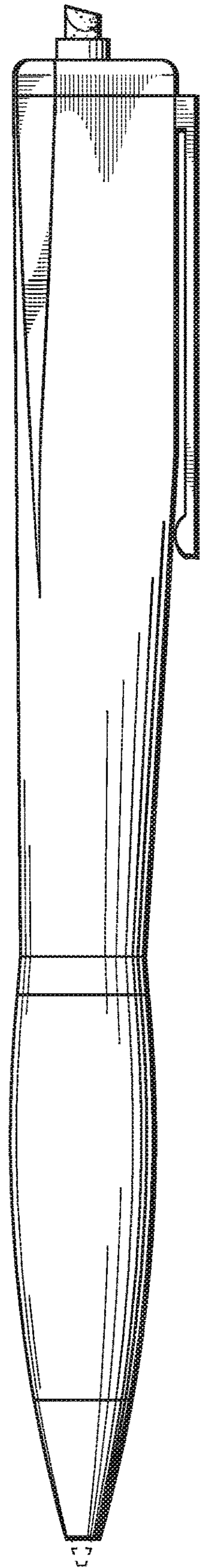


FIG. 12

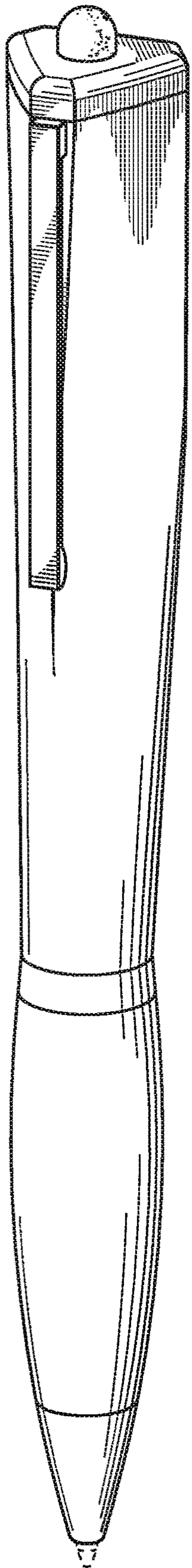


FIG. 13

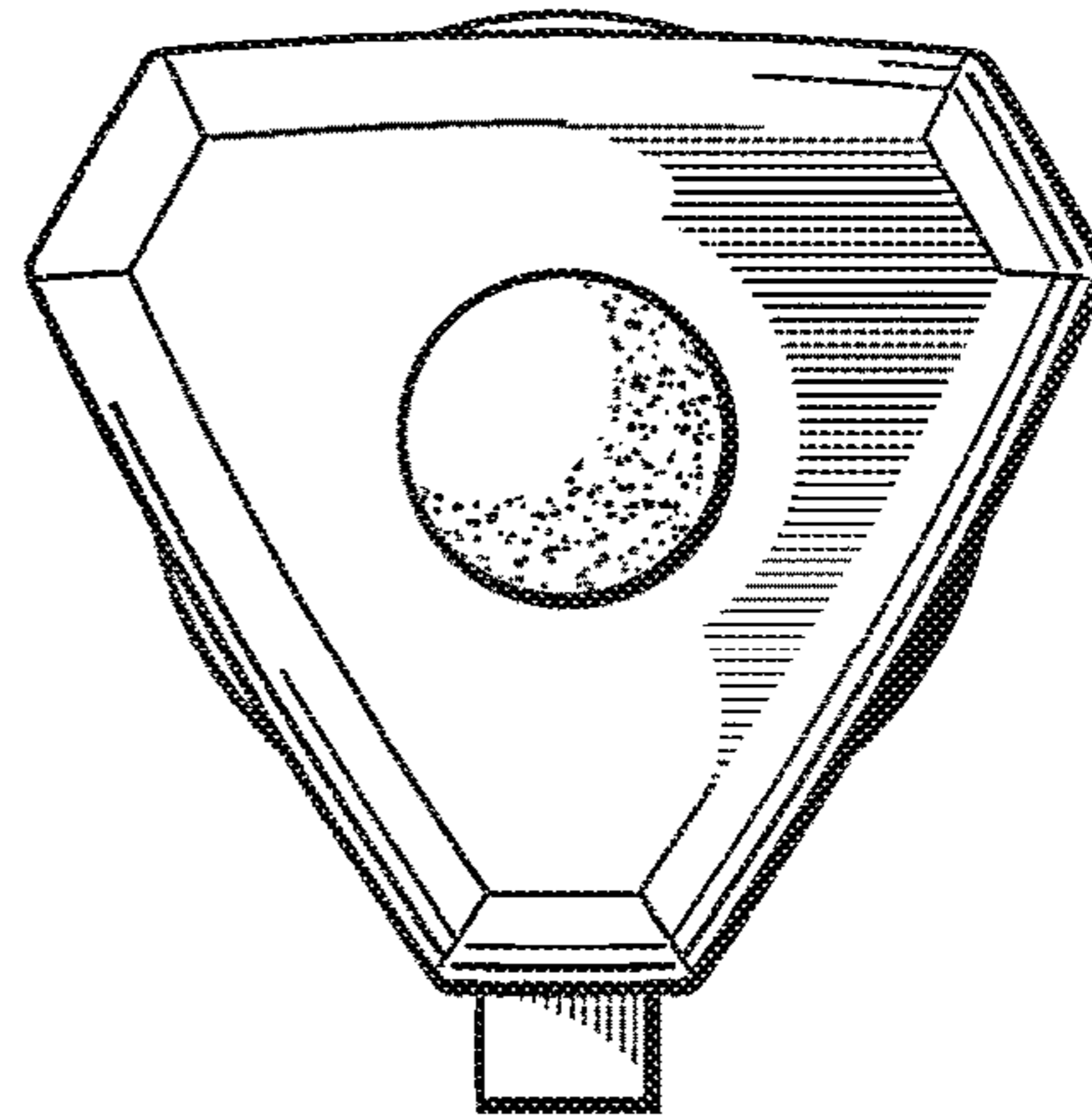


FIG. 14

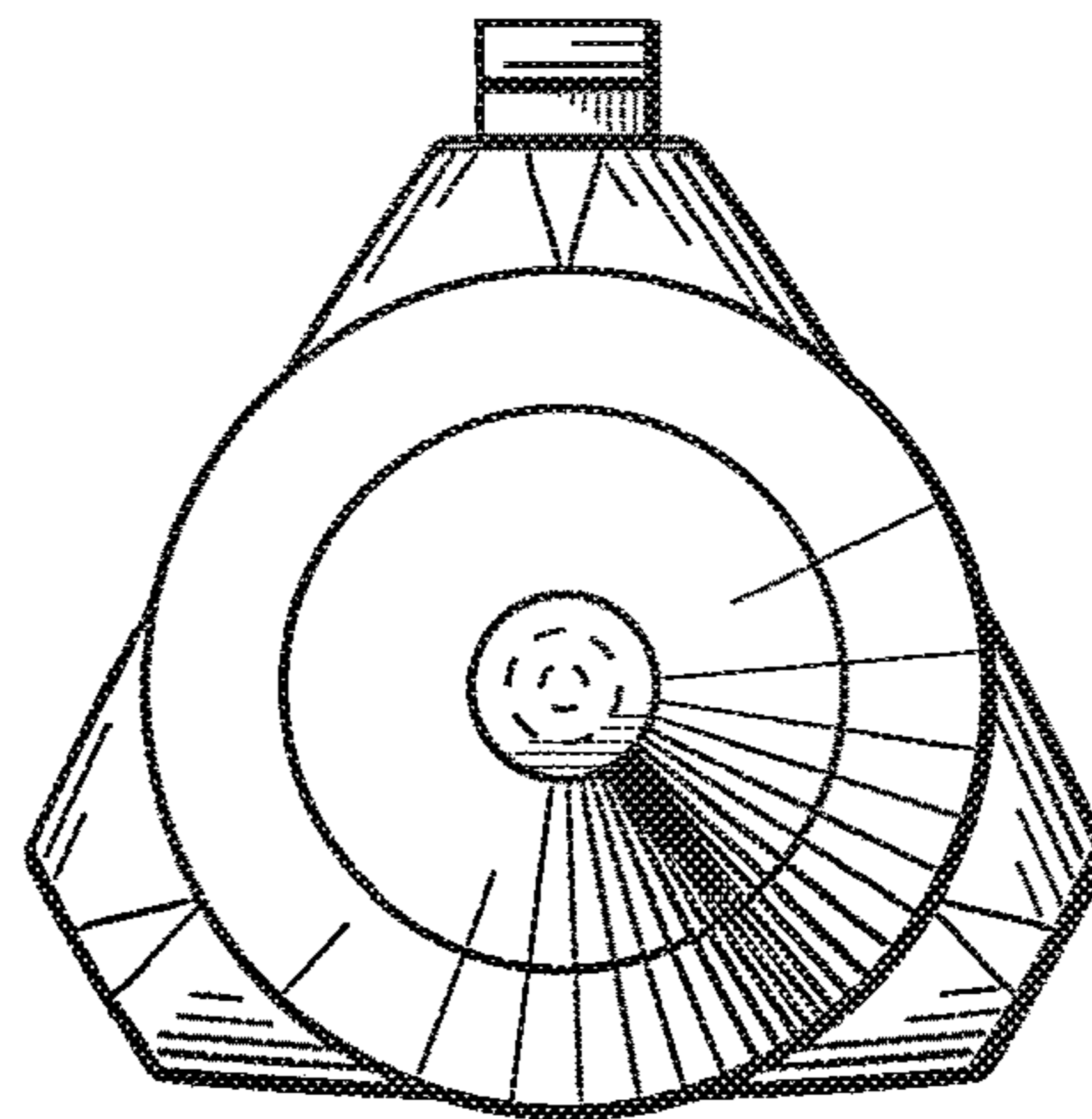


FIG. 15

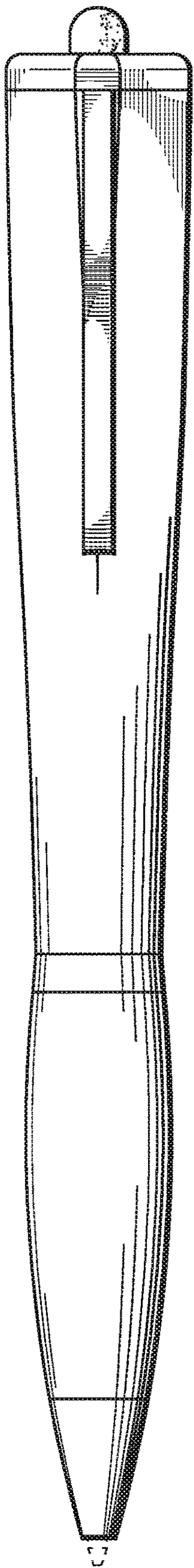


FIG. 16

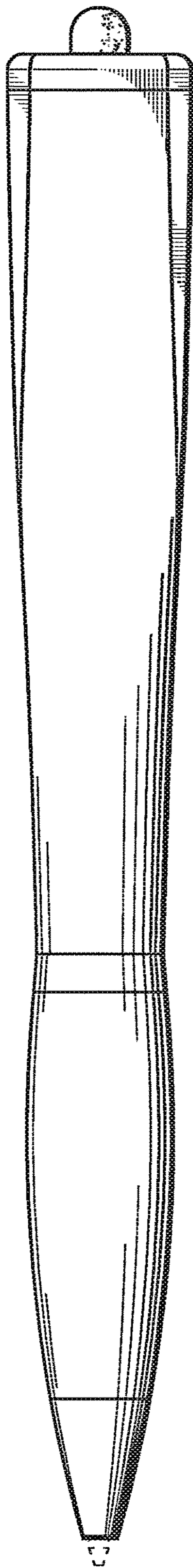


FIG. 17

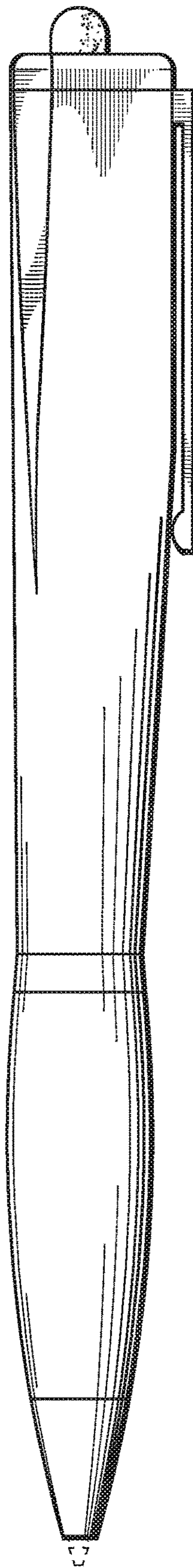


FIG. 18