



US00D954139S

(12) **United States Design Patent**
Chen

(10) **Patent No.:** **US D954,139 S**

(45) **Date of Patent:** **** Jun. 7, 2022**

(54) **ELECTRONIC KEYBOARD WITH MICROPHONE**

(71) Applicant: **Xi Chen**, Shantou (CN)

(72) Inventor: **Xi Chen**, Shantou (CN)

(**) Term: **15 Years**

(21) Appl. No.: **29/780,792**

(22) Filed: **Apr. 27, 2021**

(30) **Foreign Application Priority Data**

Jan. 13, 2021 (CN) 202130023429.3

(51) **LOC (13) Cl.** **17-01**

(52) **U.S. Cl.**
USPC **D17/2**

(58) **Field of Classification Search**
USPC D17/1, 2, 7; D21/405, 409
CPC G10C 1/00; G10C 3/12; G10C 5/10
See application file for complete search history.

(56) **References Cited**

U.S. PATENT DOCUMENTS

D255,370 S *	6/1980	Hayama	D17/1
D342,274 S *	12/1993	Ohki	D17/1
D348,686 S *	7/1994	Igo	D17/1
D355,924 S *	2/1995	Slater	D17/1
D400,912 S *	11/1998	Miyahara	D17/5
D499,442 S *	12/2004	Okamura	D17/1
D835,710 S	12/2018	Wong		
D837,283 S *	1/2019	Tsai	D17/2
D837,286 S	1/2019	Wong		
D837,287 S	1/2019	Wong		
D877,238 S *	3/2020	Yang	D17/2
D920,425 S *	5/2021	Furusho	D17/10
D924,312 S *	7/2021	Huang	D17/1

OTHER PUBLICATIONS

Amazon.com. <https://www.amazon.com/Conomus-Keyboard-Multifunctional-Instruments-Microphone/dp/B07BR7HDHQ/ref=>

sr_1_13?crd=5T9NYFENEQVH&keywords=toy+piano+with+vocoder&qid=1642225691&sprex=toy+piano+with+vocoder%2Caps%2C58&sr=8-13. "Conomus Piano Toy Keyboard". Date Unknown: Buyer Reviews from 2020 (Year: 2020).*
Amazon. https://www.amazon.com/Multifunctional-Microphone-Educational-Electronic-Organ-Blue/dp/B09N7JHZHB/ref=sr_1_56?crd=1LJAUYBJ5U995&keywords=piano%2Bkeyboard%2Bwith%2Bmicrophone%2Bfor%2Bkids&qid=1642103936&sprex=piano%2Bkeyboard%2Bwith%2Bmicrophone%2Caps%2C61&sr=8-56&th=1 "Piano Keyboard for Kids". Date Unknown: Viewed Jan. 2022 (Year: 2022).*

* cited by examiner

Primary Examiner — R. Johnson

(57) **CLAIM**

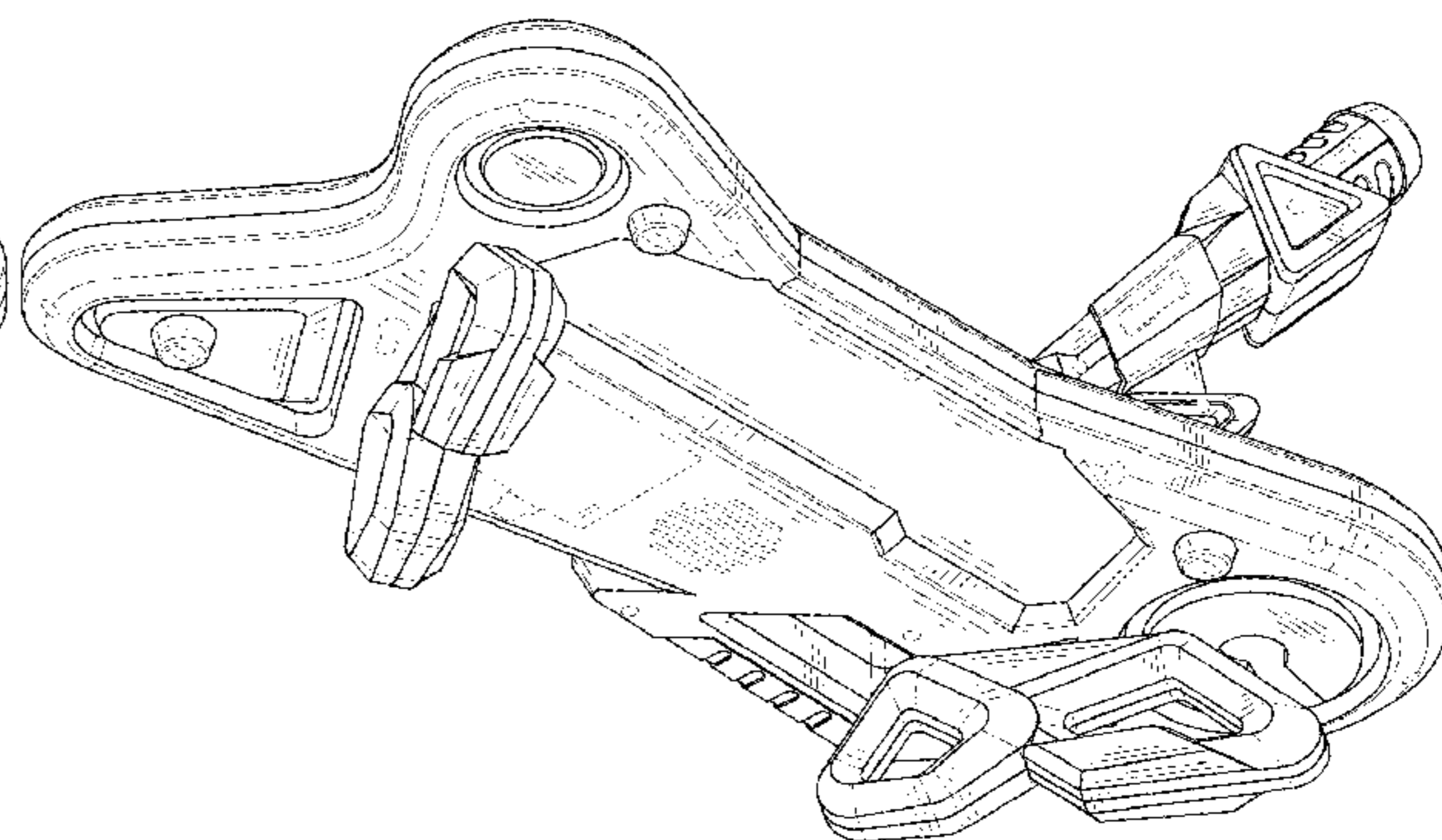
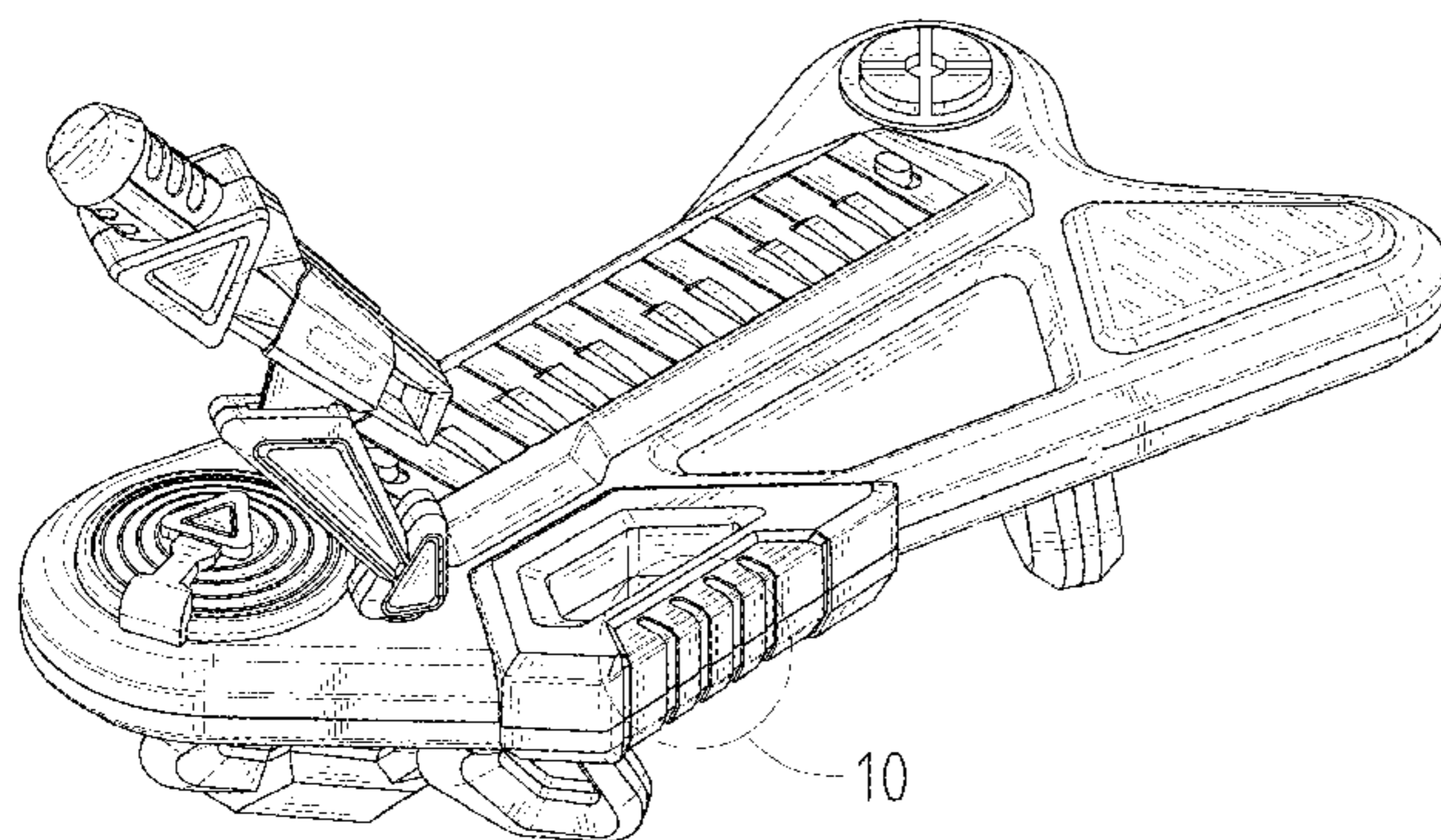
The ornamental design for a an electronic keyboard with microphone, as shown and described.

DESCRIPTION

FIG. 1 is a top perspective view of an electronic keyboard with microphone showing my new design;
FIG. 2 is a bottom perspective view thereof;
FIG. 3 is a top plan view thereof;
FIG. 4 is a bottom plan view thereof;
FIG. 5 is a left side view thereof;
FIG. 6 is a right side view thereof;
FIG. 7 is a front view thereof;
FIG. 8 is a rear view thereof;
FIG. 9 is a perspective view thereof, illustrating the design in another configuration with the microphone and base of the design folded down; and,
FIG. 10 is an enlarged view of the section taken at line-10 in FIG. 1.

The broken lines shown in the drawings depict portions of the an electronic keyboard with microphone in which the design is embodied that form no part of the claimed design.

1 Claim, 10 Drawing Sheets



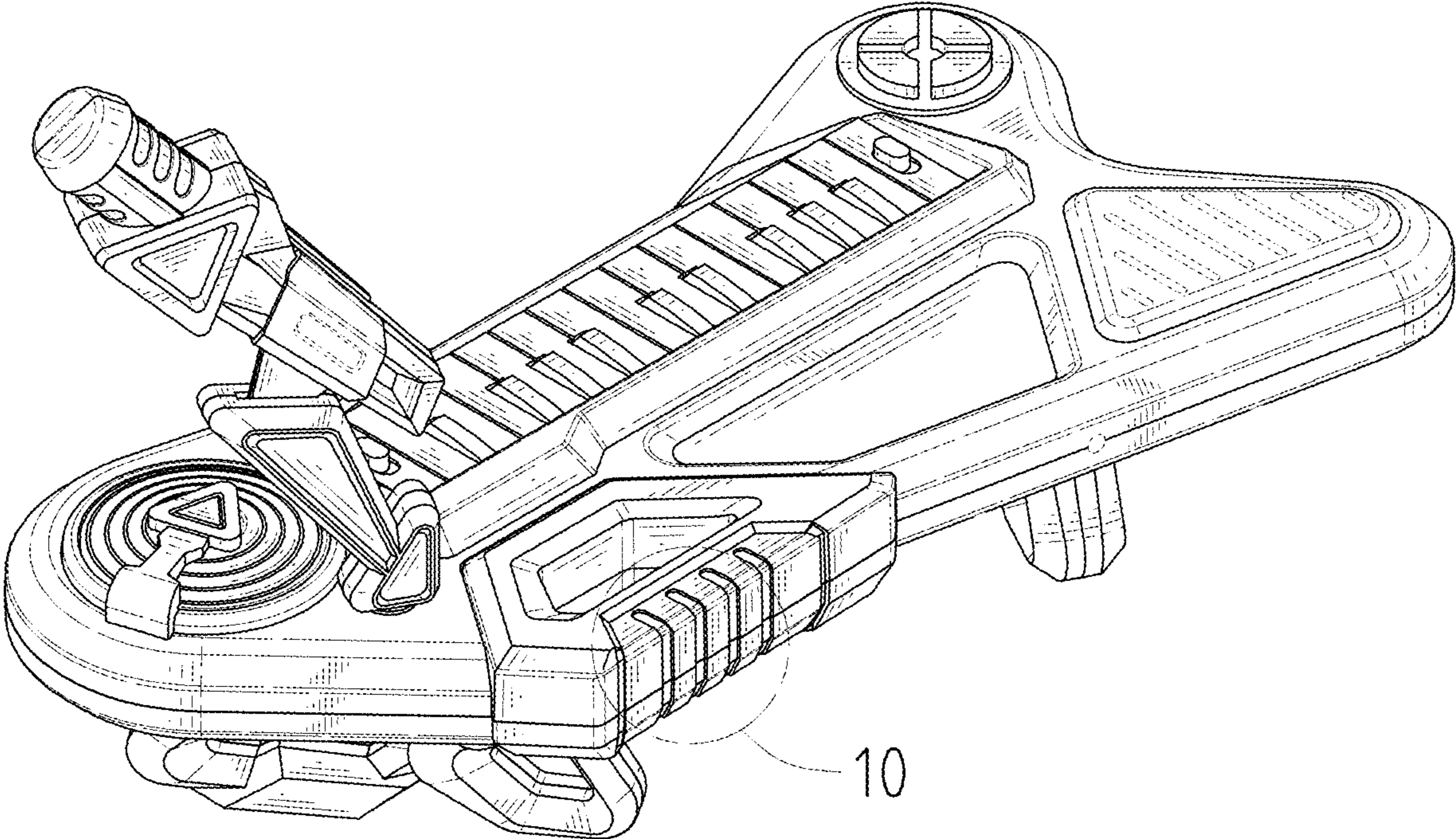


FIG. 1

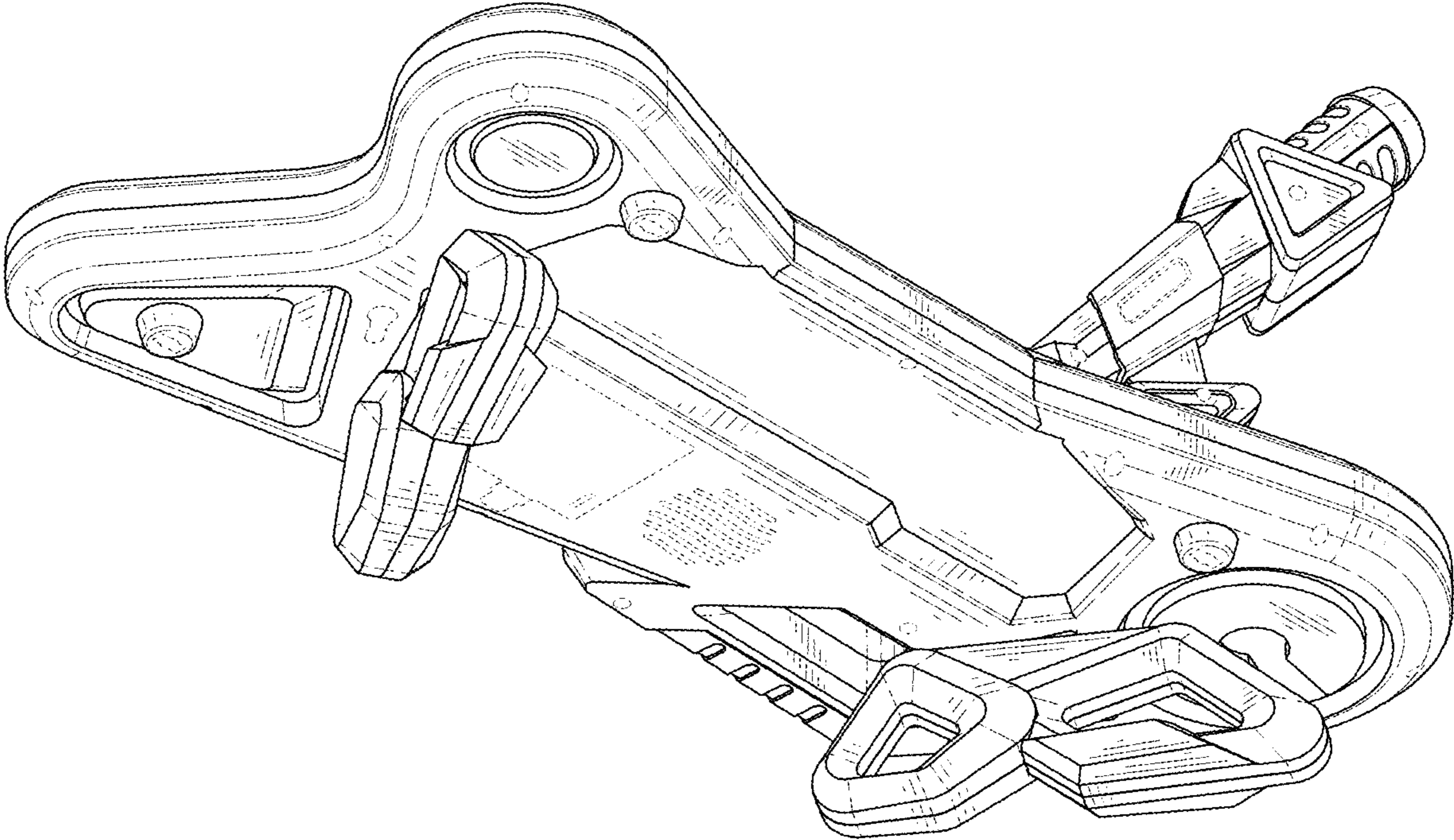


FIG. 2

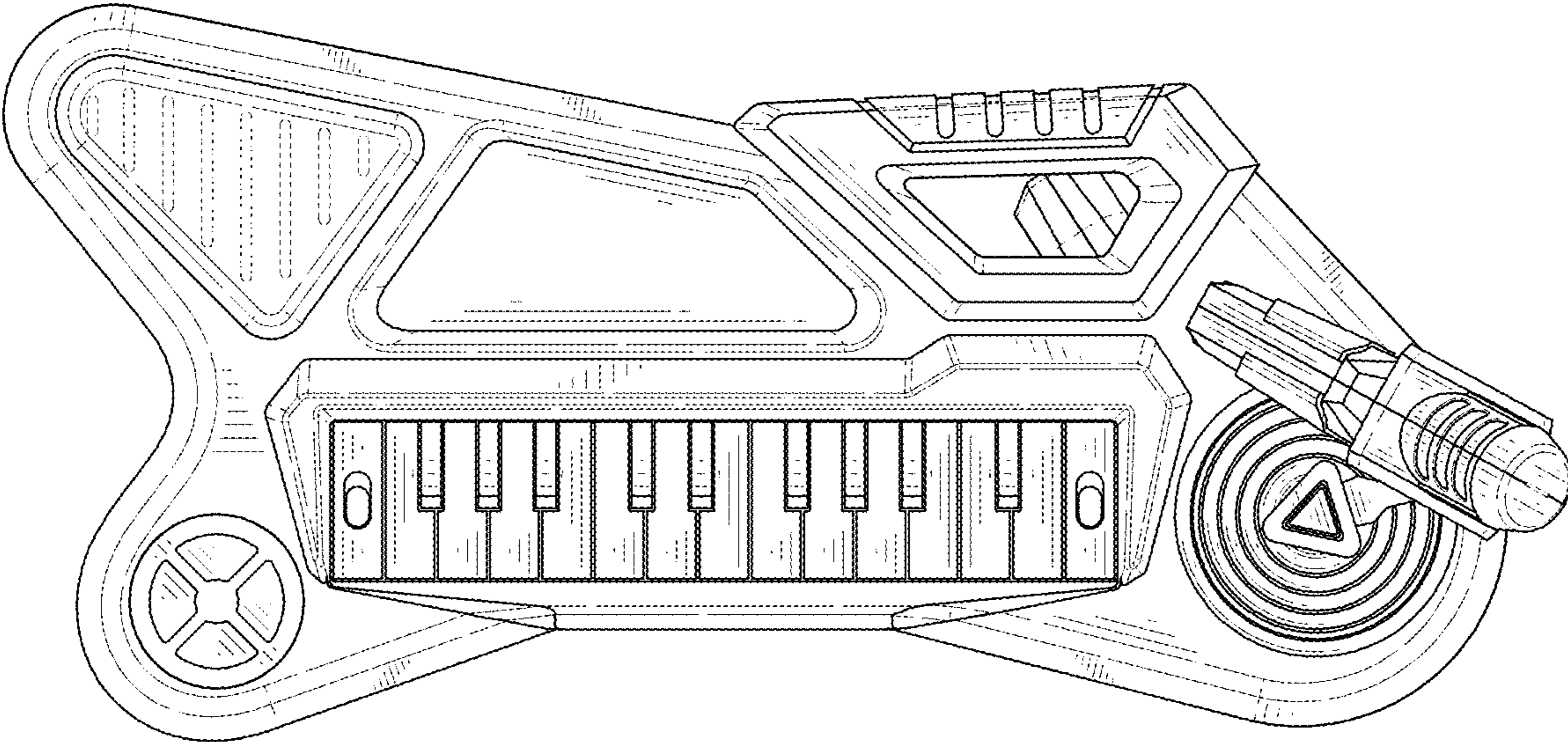


FIG. 3

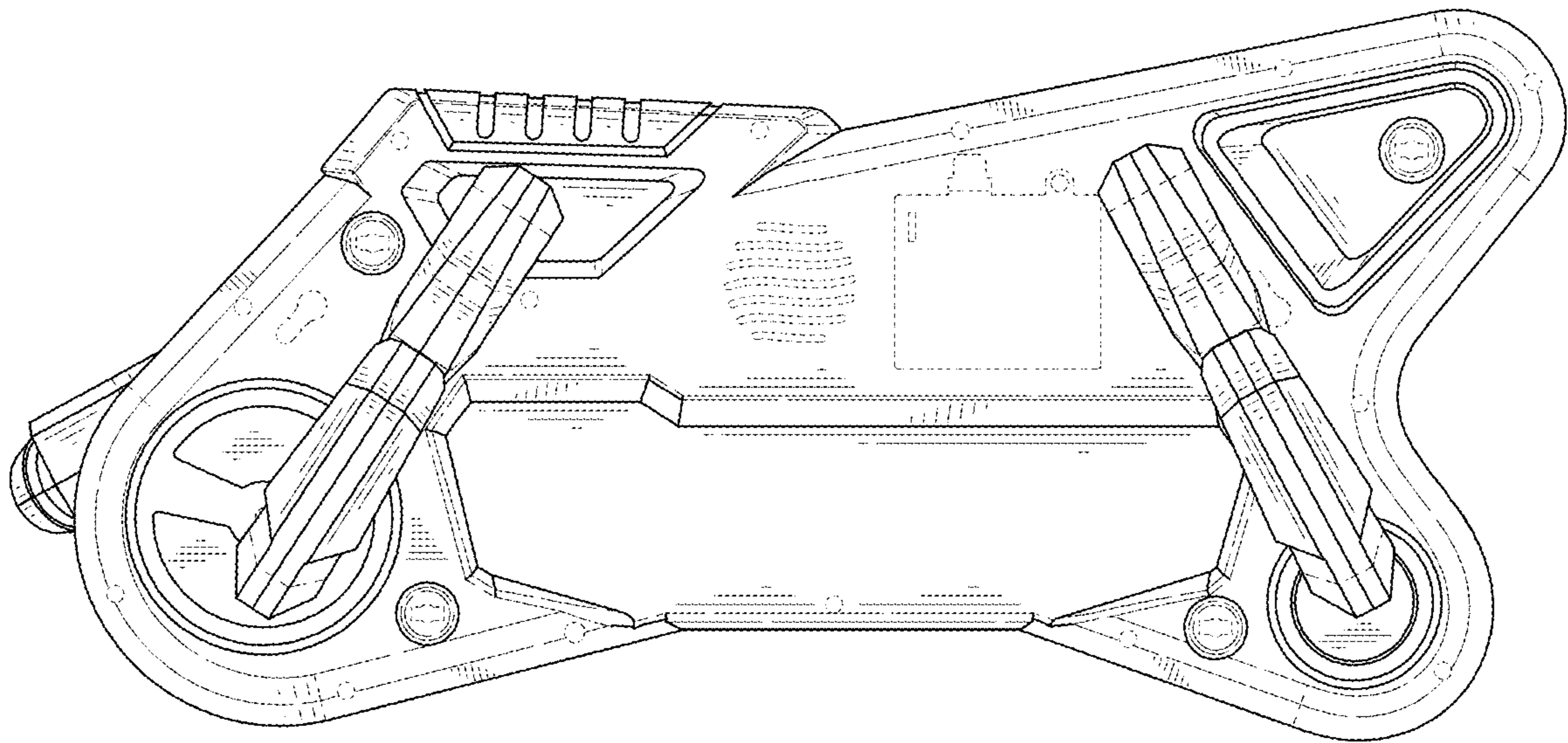


FIG. 4

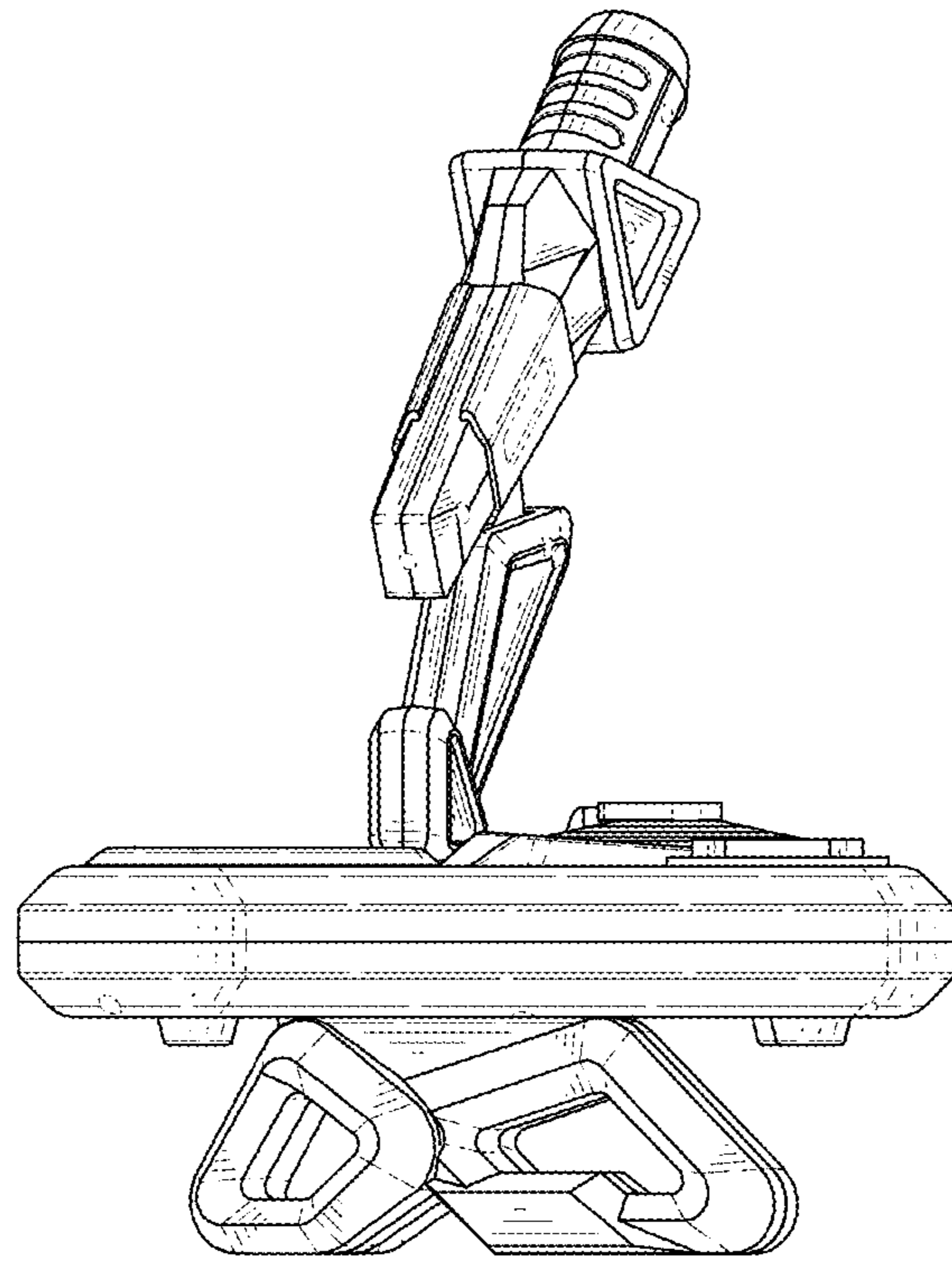


FIG. 5

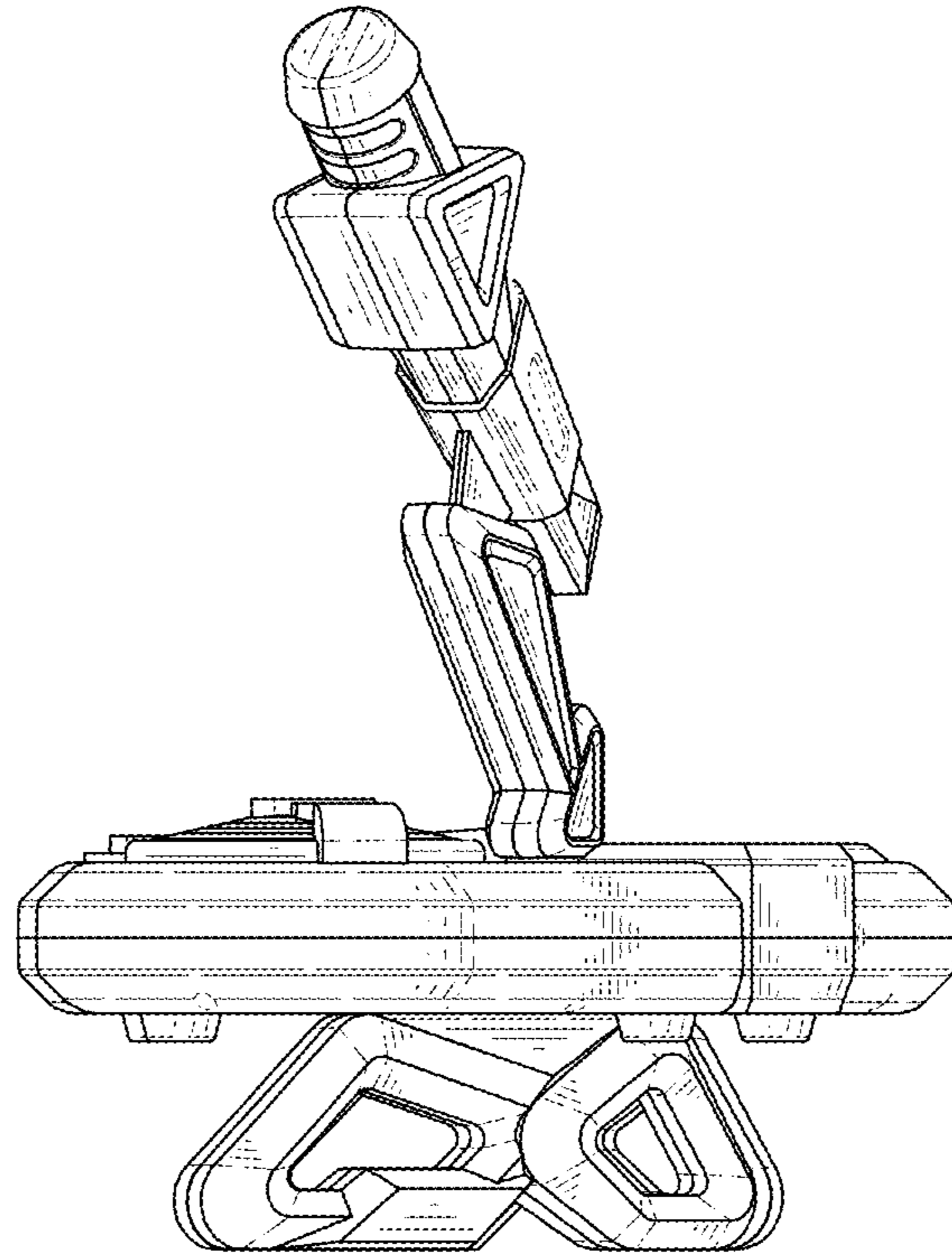


FIG. 6

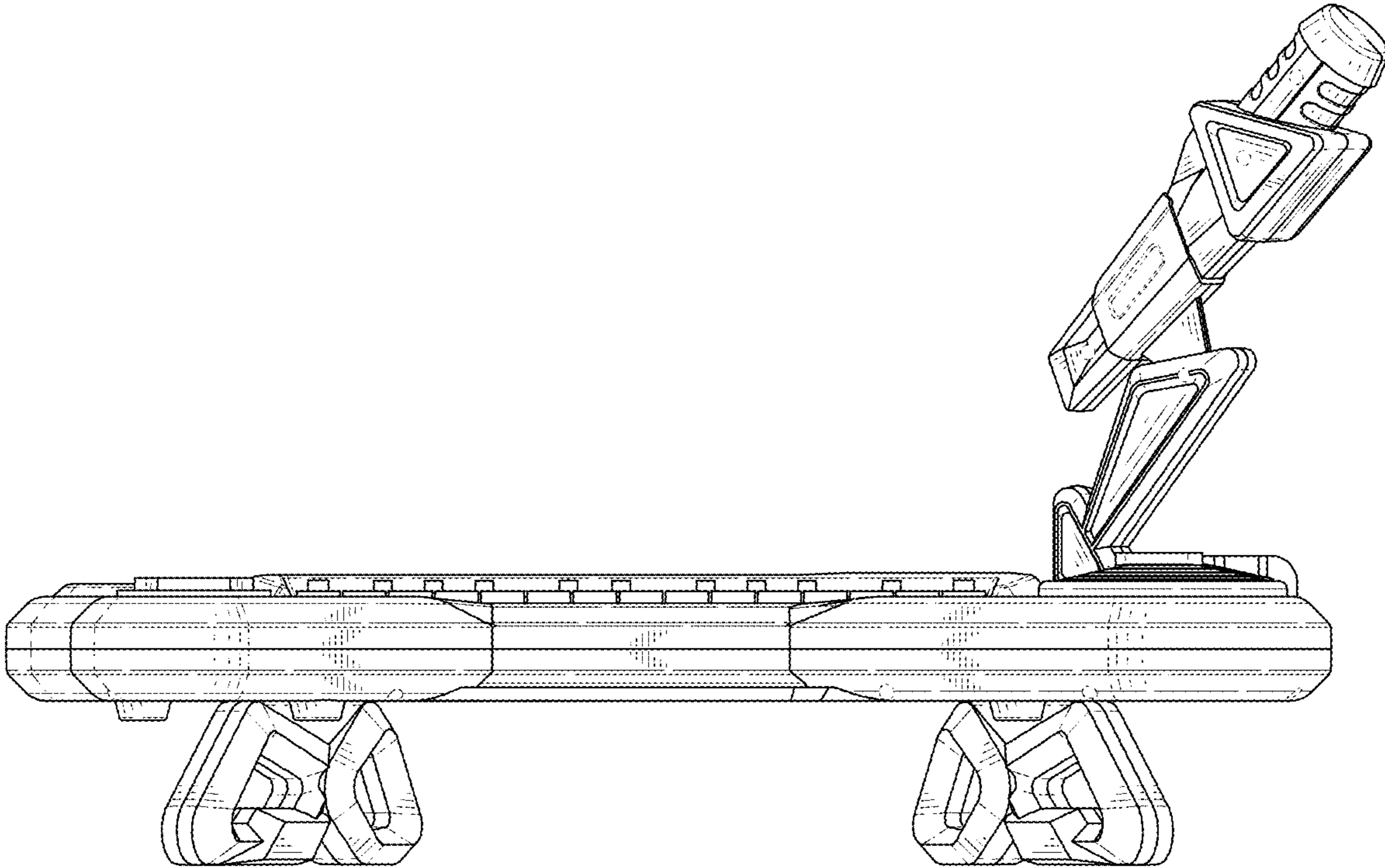


FIG. 7

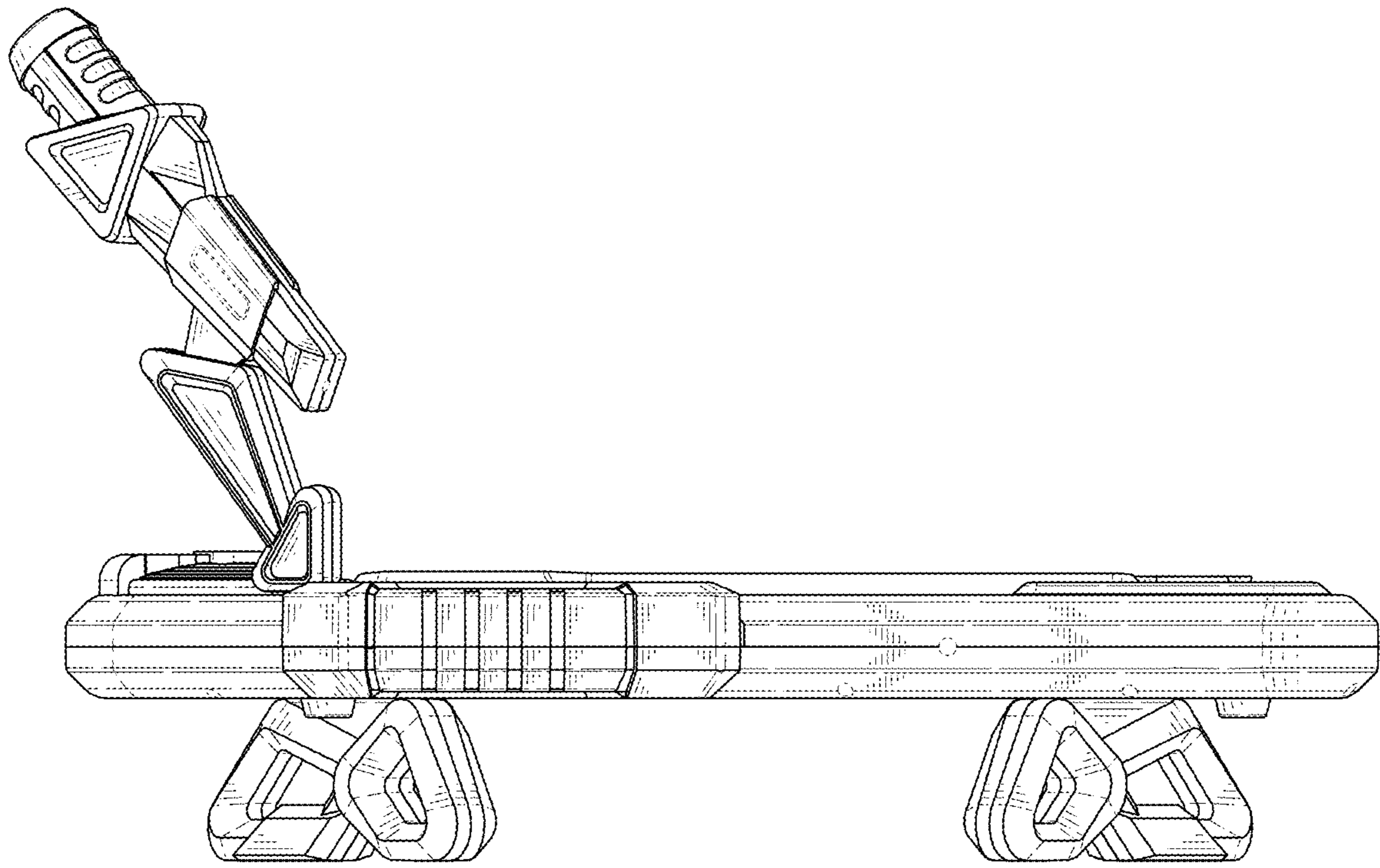


FIG. 8

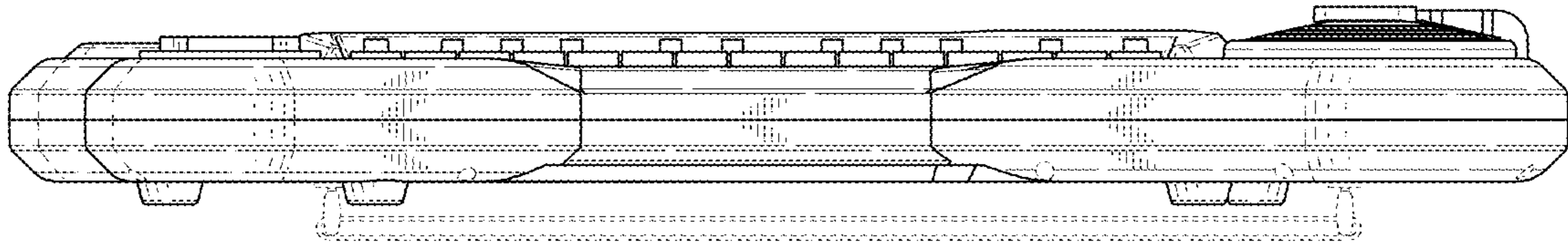


FIG. 9

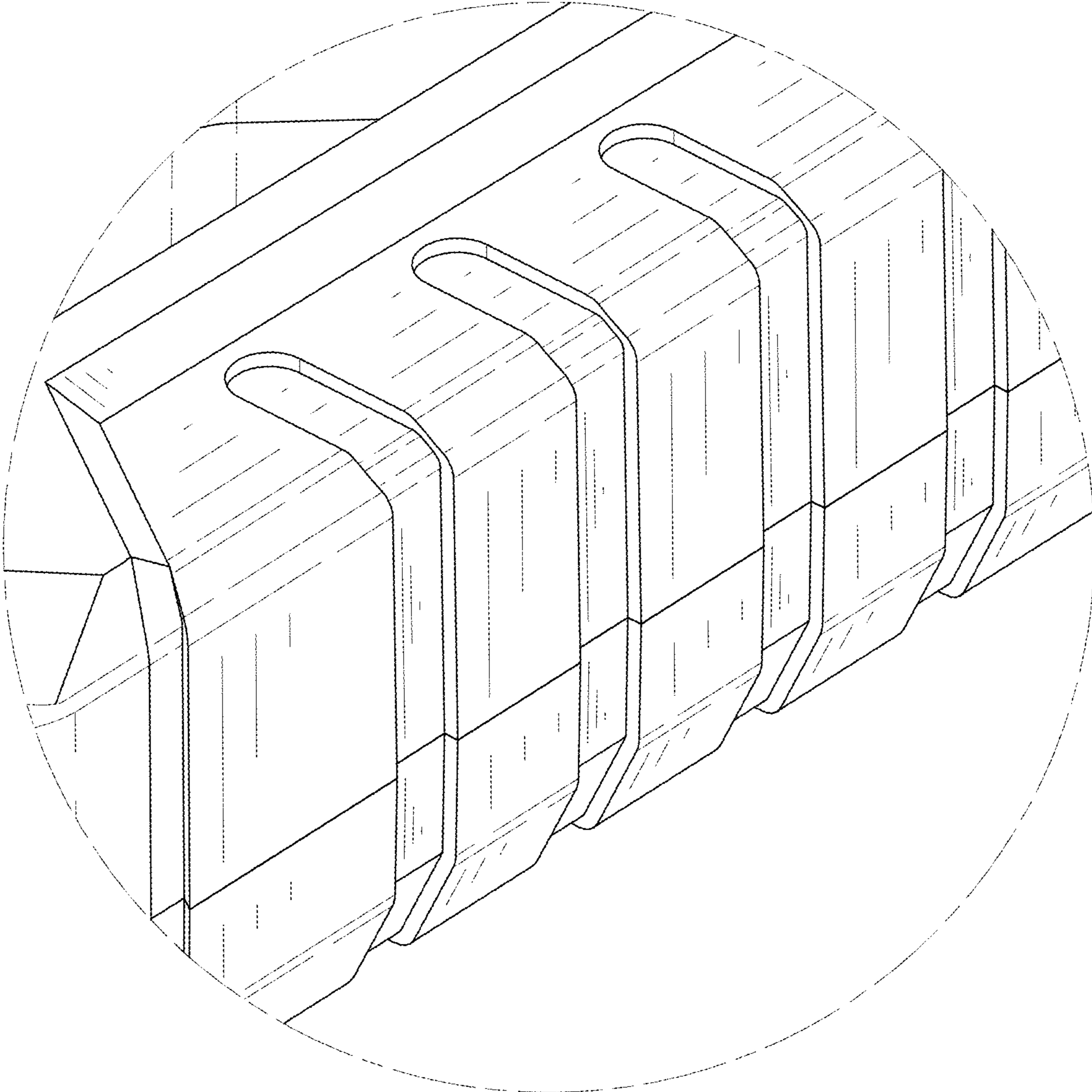


FIG. 10