



US00D954131S

(12) **United States Design Patent**  
**Li**

(10) **Patent No.:** **US D954,131 S**

(45) **Date of Patent:** **\*\* Jun. 7, 2022**

(54) **PROJECTOR**

(71) Applicant: **Shenzhen Wanjiang Technology Co., Ltd.**, Shenzhen (CN)

(72) Inventor: **Mingli Li**, Shenzhen (CN)

(\*\*) Term: **15 Years**

(21) Appl. No.: **29/744,108**

(22) Filed: **Jul. 27, 2020**

(51) **LOC (13) Cl.** ..... **16-02**

(52) **U.S. Cl.**  
USPC ..... **D16/230**

(58) **Field of Classification Search**  
USPC ..... D16/221, 225, 227, 230–231, 234;  
D21/514  
CPC ..... G03B 21/145; G03B 21/14; G03B 21/16;  
G03B 21/00; G03B 21/001; G03B  
21/003; G03B 21/12  
See application file for complete search history.

(56) **References Cited**

U.S. PATENT DOCUMENTS

D555,185 S \* 11/2007 Nozue ..... D16/225  
D575,811 S \* 8/2008 Ohki ..... D16/225

D831,096 S \* 10/2018 Gao ..... D16/230  
D850,517 S \* 6/2019 Li ..... D16/230  
D850,518 S \* 6/2019 Gan ..... D16/230  
D854,072 S \* 7/2019 Gan ..... D16/230  
D854,073 S \* 7/2019 Gan ..... D16/230  
D865,033 S \* 10/2019 Cheng ..... D16/230  
D866,643 S \* 11/2019 Liang ..... D16/230

\* cited by examiner

*Primary Examiner* — Wan Laymon

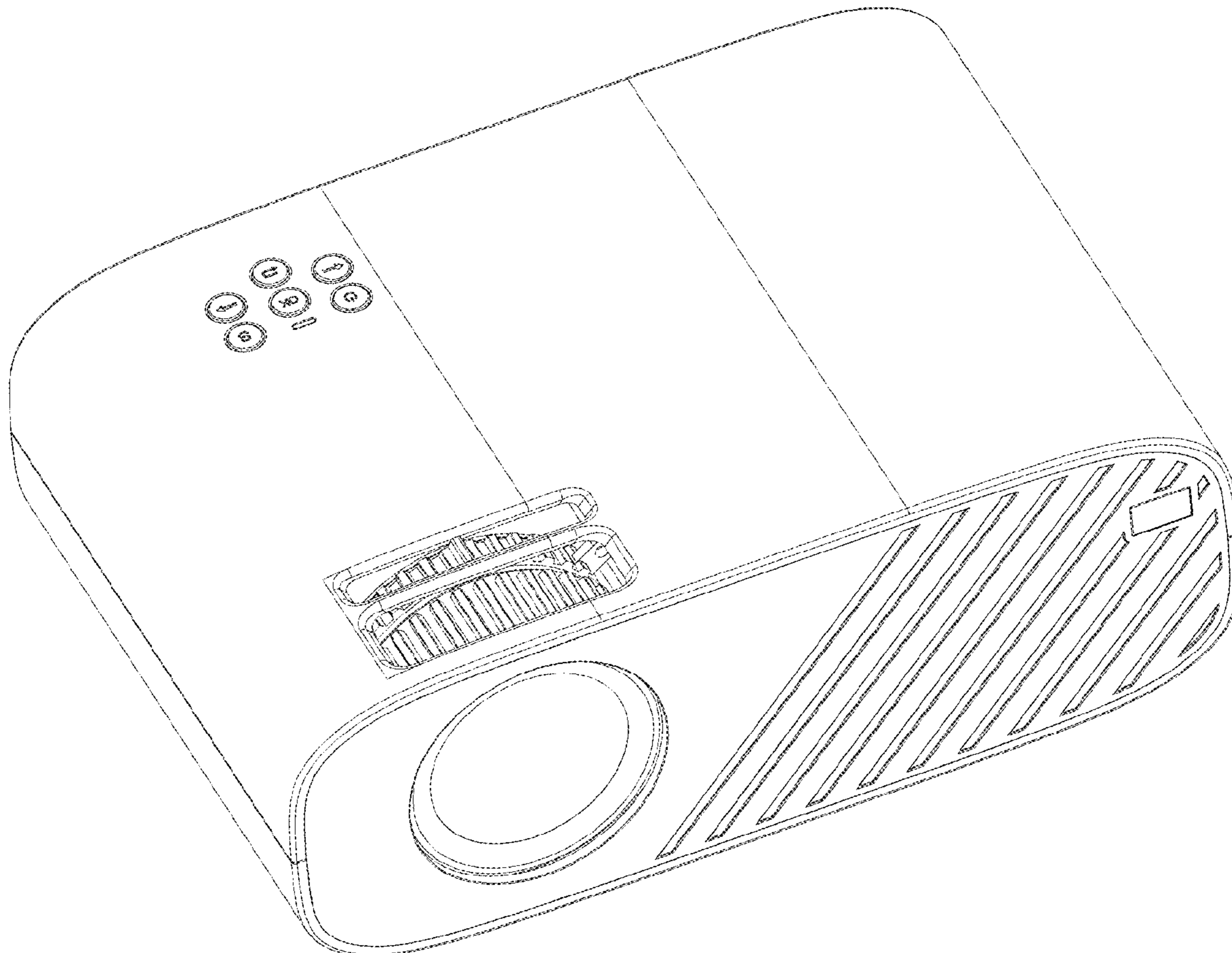
(57) **CLAIM**

The ornamental design for a projector, as shown and described.

**DESCRIPTION**

FIG. 1 is a front elevational view of a projector showing my new design;  
FIG. 2 is a rear elevational view thereof;  
FIG. 3 is a left sideview thereof;  
FIG. 4 is a right sideview thereof;  
FIG. 5 is a top plan view thereof;  
FIG. 6 is a bottom plan view thereof; and,  
FIG. 7 is a perspective view thereof.  
The broken lines shown in the drawings depict portions of the projector that form no part of the claimed design.

**1 Claim, 7 Drawing Sheets**



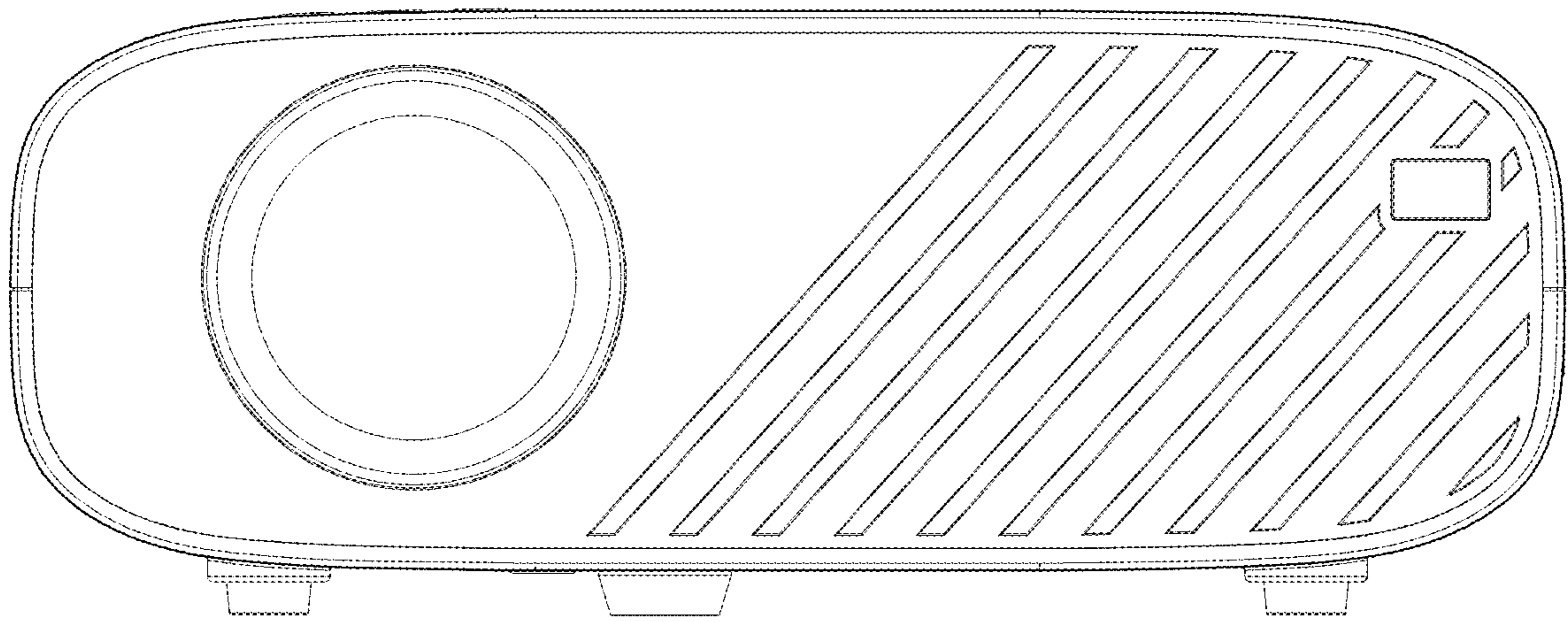


FIG. 1

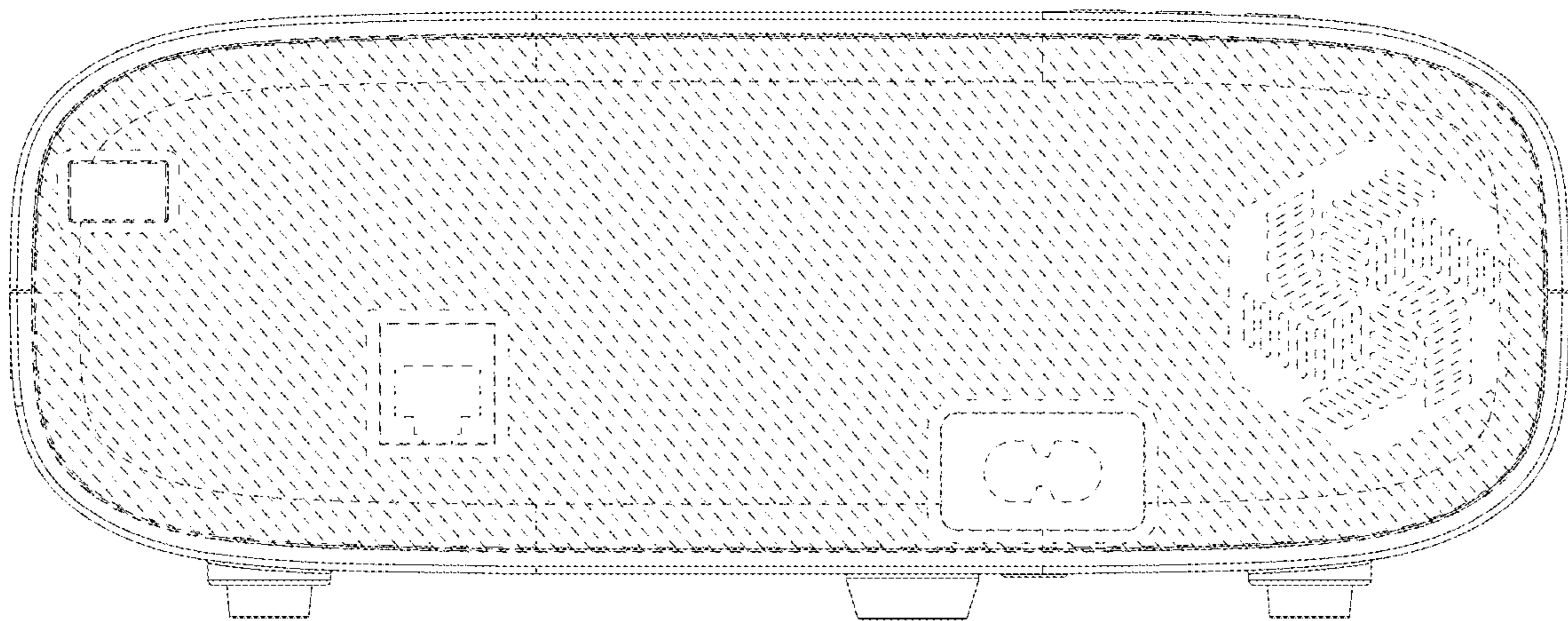


FIG. 2

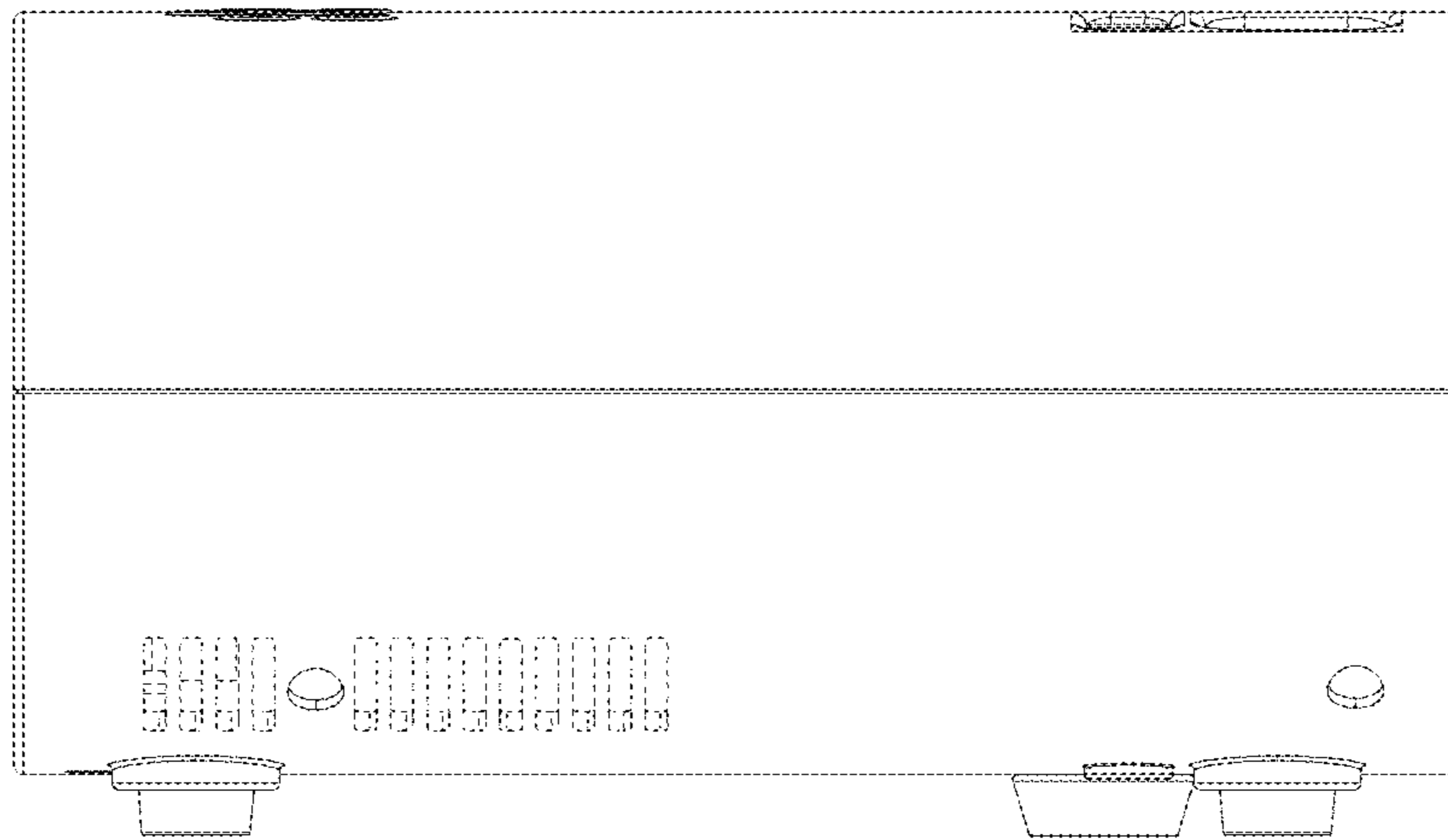


FIG. 3

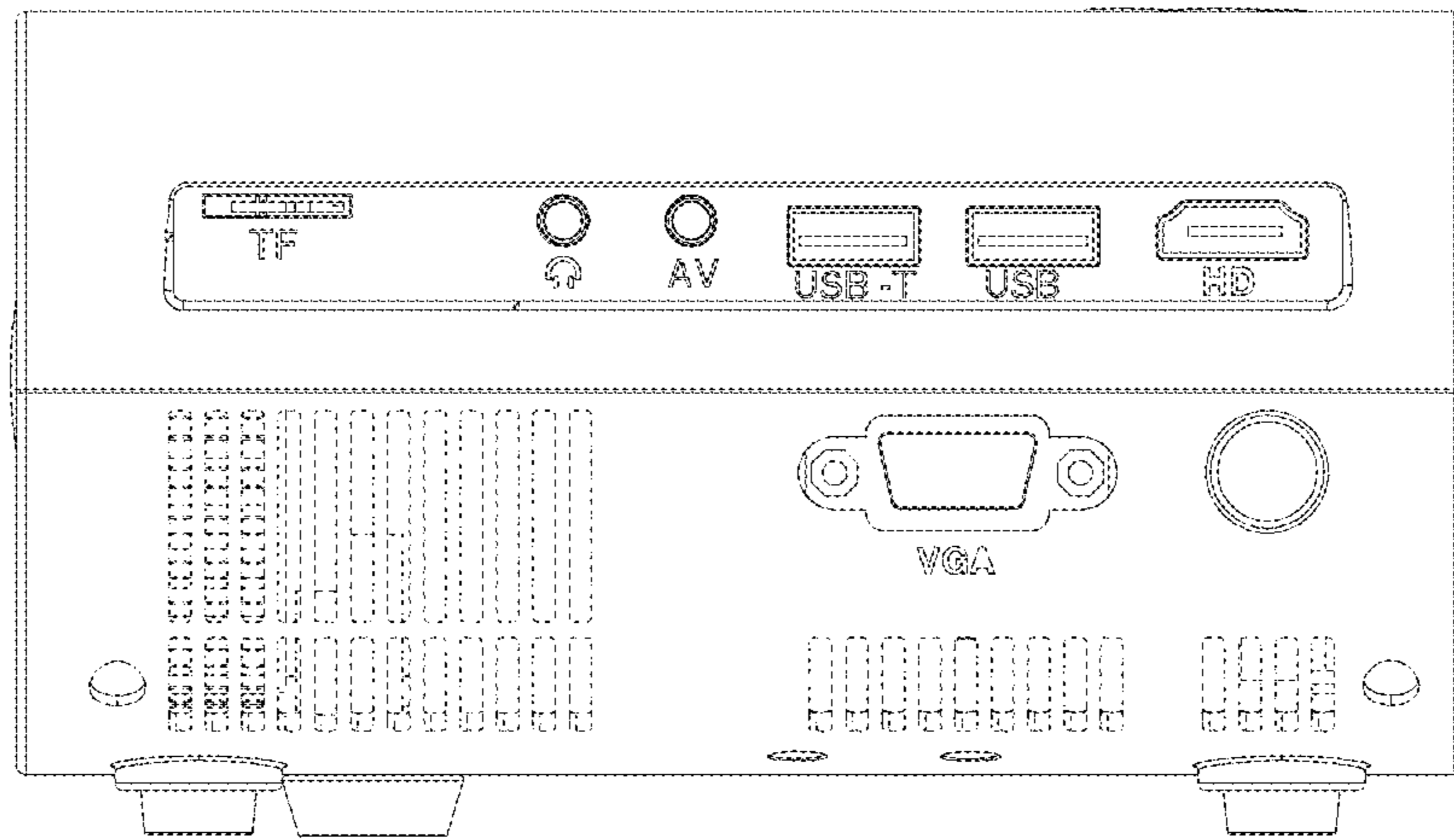


FIG. 4

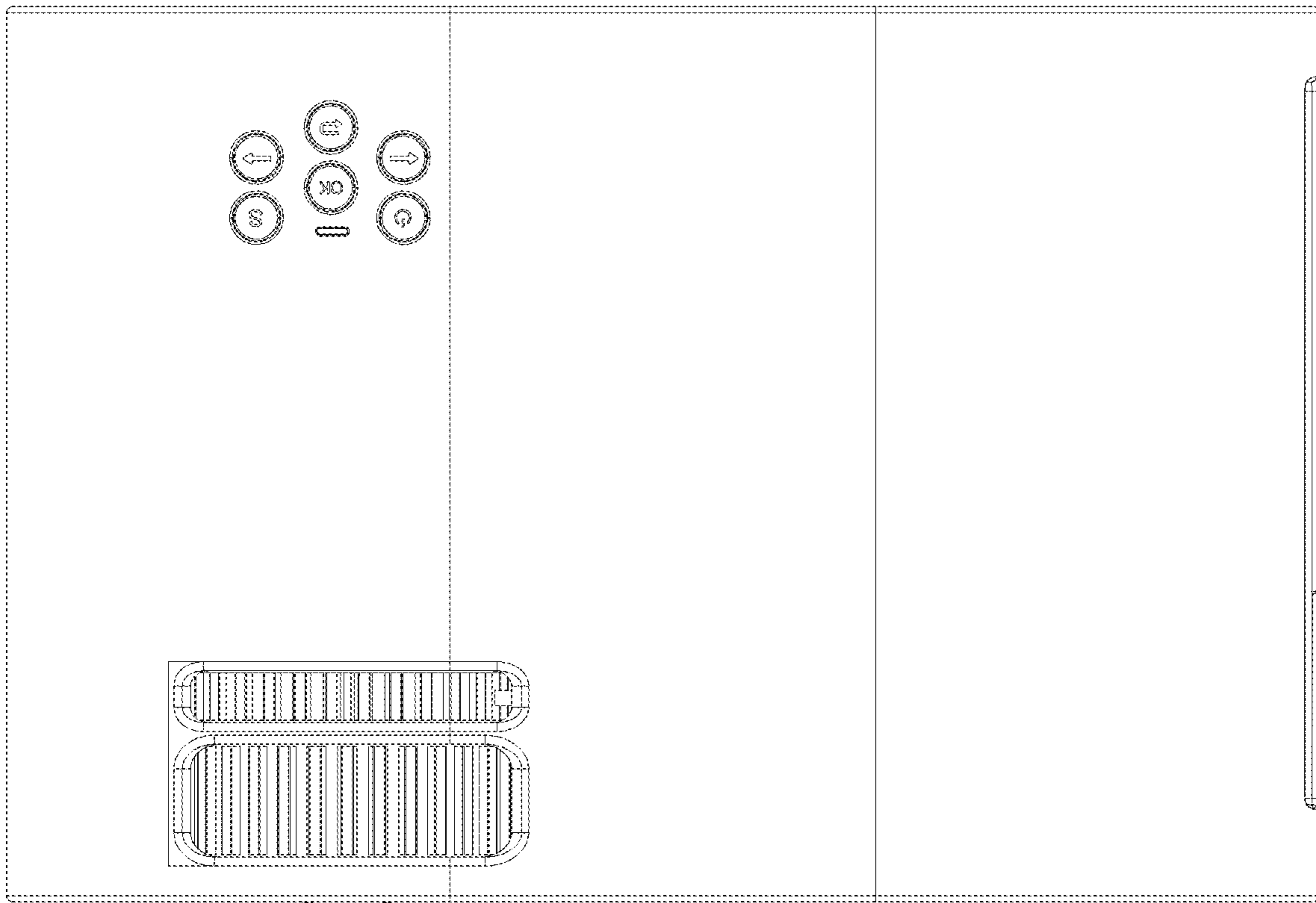


FIG. 5

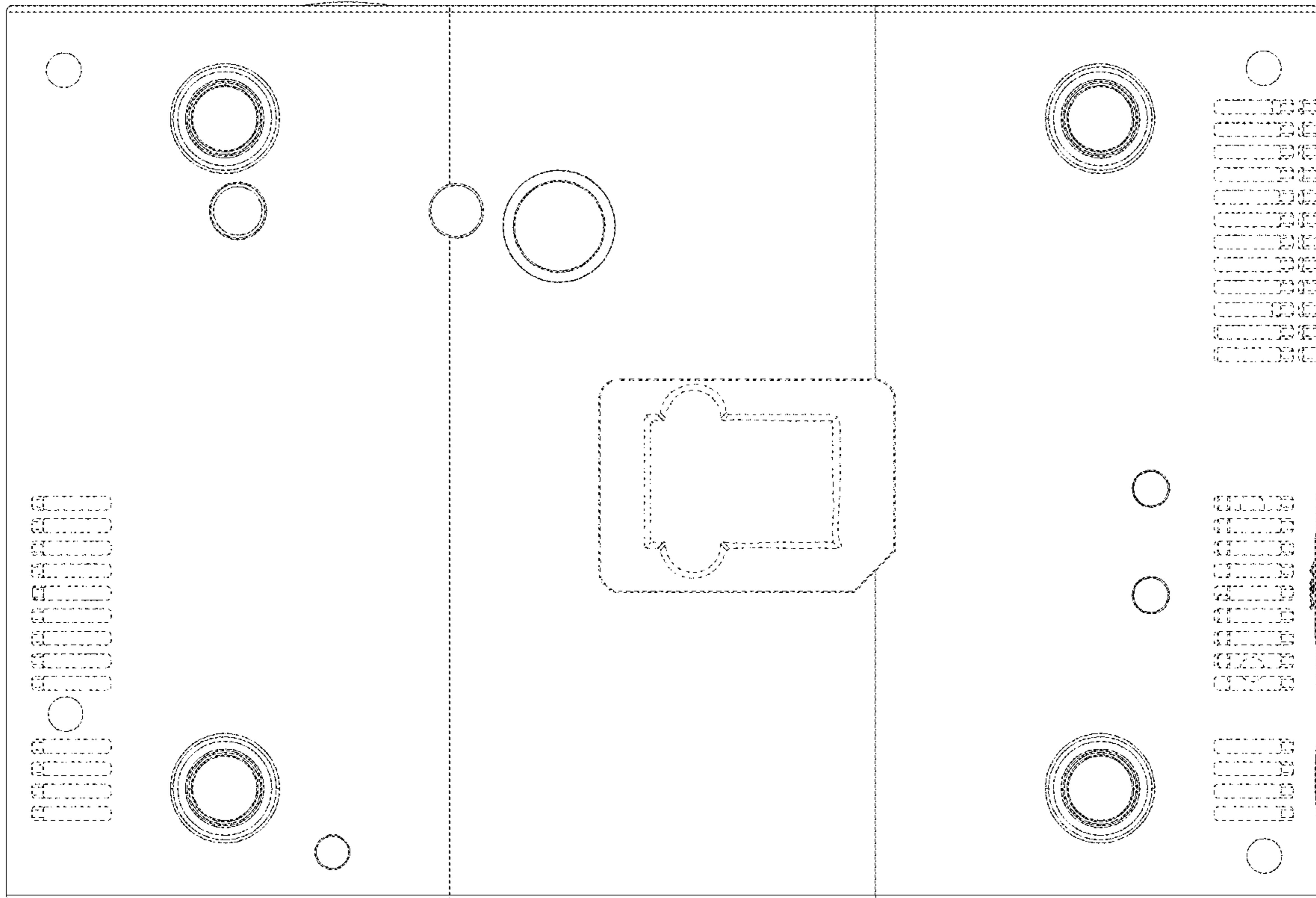


FIG. 6

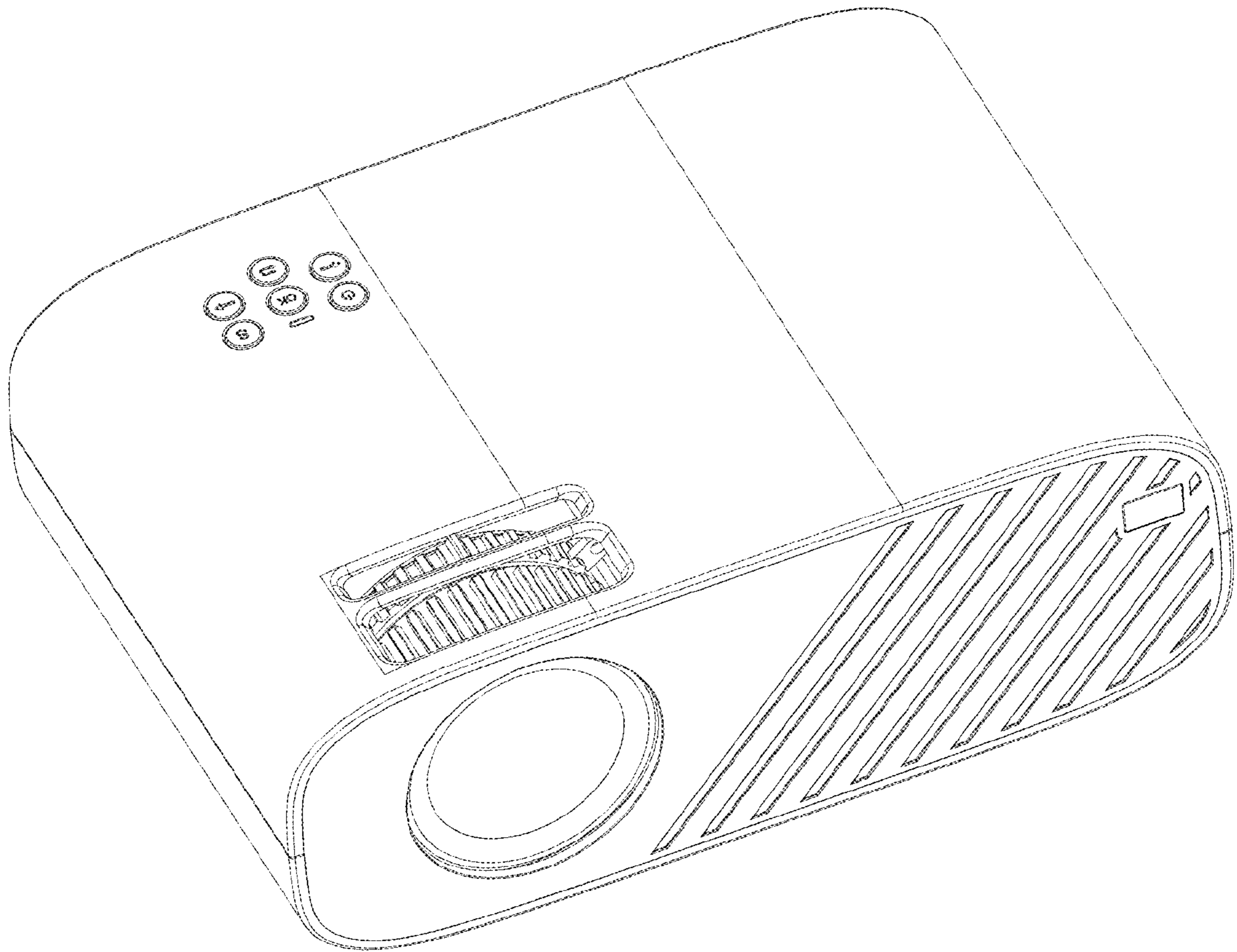


FIG. 7