



US00D954127S

(12) **United States Design Patent** (10) **Patent No.:** **US D954,127 S**
Liu (45) **Date of Patent:** **** Jun. 7, 2022**

(54) **MONITORING CAMERA**

FOREIGN PATENT DOCUMENTS

(71) Applicant: **Shenzhen CTV Int Cloud Technology Co., Ltd.**, Shenzhen (CN)

CN 304758245 * 8/2018
EM 008408371-0001 * 1/2021

(72) Inventor: **Guangqing Liu**, Yueyang (CN)

OTHER PUBLICATIONS

(73) Assignee: **Shenzhen CTV INT Cloud Technology Co., Ltd.**, Shenzhen (CN)

(**) Term: **15 Years**

(21) Appl. No.: **29/762,670**

(22) Filed: **Dec. 17, 2020**

(51) **LOC (13) Cl.** **16-01**

(52) **U.S. Cl.**
USPC **D16/203**

(58) **Field of Classification Search**
USPC D16/200–204, 207–208, 218–219;
D10/61, 63, 65, 70, 71, 104.1, 106.7;
D14/203.1, 204, 209.1, 496, 497
CPC G03B 15/03; G03B 17/02; G03B 17/04;
G03B 17/56; G03B 19/04; H04N 7/141;
H04N 7/142; H04N 7/147; H04N 7/148;
H04N 7/15; H04N 7/152; H04N 5/2251;
H04N 5/2252; H04N 5/2253; H04N
5/2254; H04N 2101/00; H04N 2007/145
See application file for complete search history.

“Solar Powered Outdoor Security Cameras Wireless, ZUMIMALL Solar Panel WiFi Wireless Cameras for Home Security, 1080P Outdoor Cameras, Night Vision, 2-Way Talk, Motion Detection, Waterproof, Cloud/SD” from Amazon.com, first available Jun. 28, 2021 from the internet <https://www.amazon.com/dp/B09836Q17M/ref=sspa_dk_detail_4?psc=1&pd_rd_w=6qA0K&pf_rd_p=9fd3ea7c-b77c-42ac-b43b-c872d3f37c38&pd_rd_wg=WfOmF&pf_rd_r=1TQSED9V19WH69XGQSRW&pd_rd_r=8c7b25b3-ba79-4100-9e9c-6b71ae5578f2&smid=A18WB0Y2K9O5GH&spLa=ZW5jcnlwdGVkUXVhbGlmaWVyPUFORTNJVU5FNIBBVUMmZW5jcnlwdGVkSWQ9QTA2NDMxMDNQRjIvR1I4OTNHVzEmZW5jcnlwdGVkQWRJZD1BMDg2Nzg0NkZVRUU1M0NOREtWMCZ3aWRnZXROYW1lPXNwX2RldGFpbCZlY3Rpb249Y2xpY2tSZW RpcmVjdCZkb05vdExvZ0NsaWNrPXRydWU=>>.*

(Continued)

Primary Examiner — Rosemary K Tarcza
Assistant Examiner — Lacey Chey Bowman
(74) *Attorney, Agent, or Firm* — Bay State IP, LLC

(56) **References Cited**

U.S. PATENT DOCUMENTS

D785,067 S * 4/2017 Ramones D16/203
D863,398 S * 10/2019 Huang D16/203
D886,177 S * 6/2020 Ramones D16/203
D894,775 S * 9/2020 Yu D10/118.2
D894,994 S * 9/2020 Yu D16/218
D906,399 S * 12/2020 Wang D16/203
D912,122 S * 3/2021 McManigal D16/203
D926,860 S * 8/2021 Ramones H04N 5/2254
D16/219
D935,507 S * 11/2021 Li D16/203
2020/0201144 A1 * 6/2020 Ramones H04N 5/2252

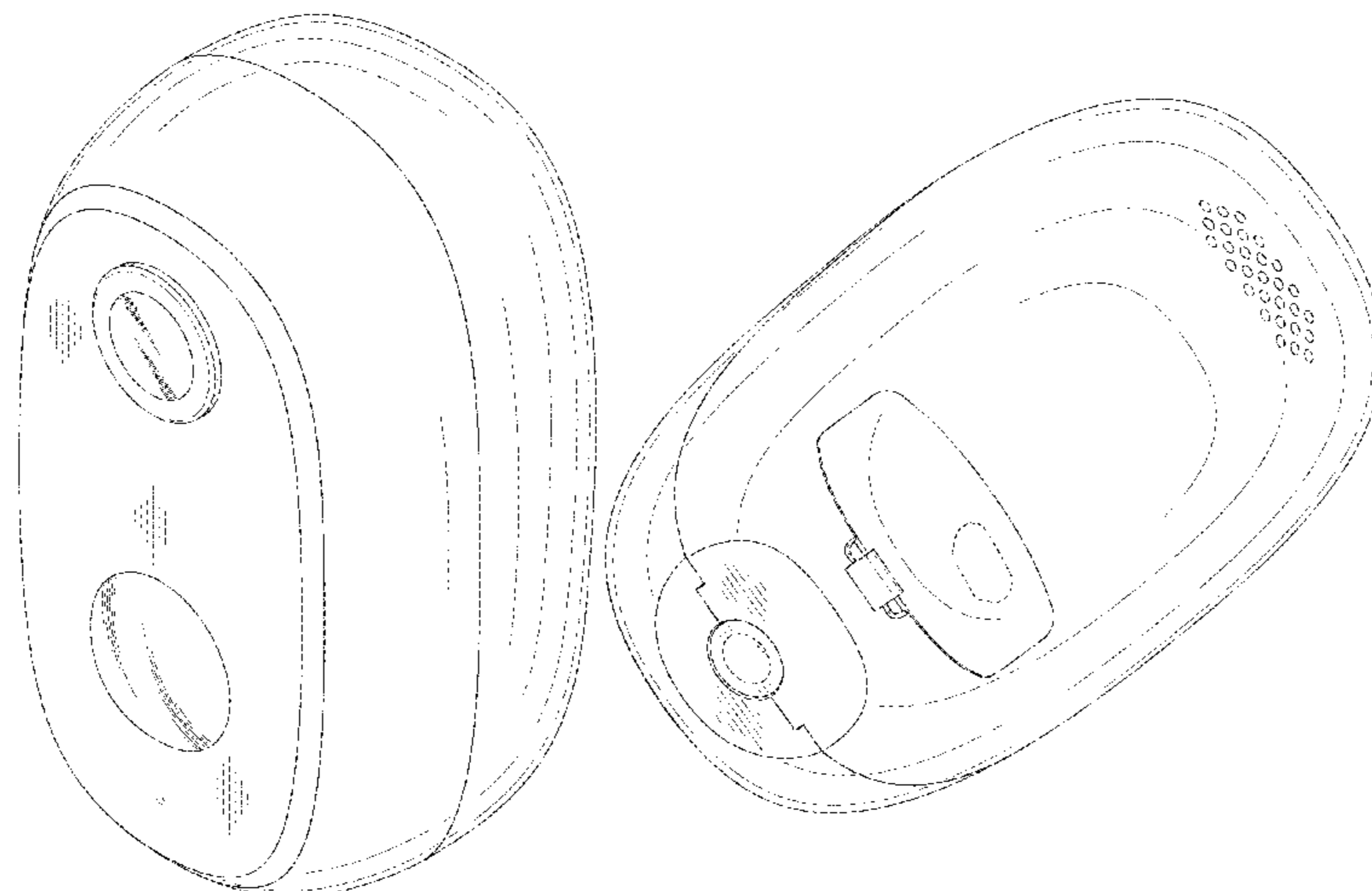
(57) **CLAIM**

The ornamental design for a monitoring camera, as shown and described.

DESCRIPTION

FIG. 1 is a front perspective view showing my new design;
FIG. 2 is a front view thereof;
FIG. 3 is a back view thereof;
FIG. 4 is a left side view thereof;
FIG. 5 is a right side view thereof;
FIG. 6 is a top view thereof;
FIG. 7 is a bottom view thereof; and,
FIG. 8 is a back perspective view thereof.

(Continued)



The broken lines shown in the figures depict portions of the monitoring camera and forms no part of the claimed design.

1 Claim, 8 Drawing Sheets

(56) **References Cited**

OTHER PUBLICATIONS

“Security Cameras Wireless Outdoor—1080P Home Security Camera System Rechargeable Battery Powered,IP65 Weatherproof, Motion Detection,2-Way Audio,Night Vision,SD/Cloud Storage” from Amazon.com, first available Dec. 10, 2021 from the internet <https://www.amazon.com/Security-Cameras-Wireless-Outdoor-Rechargeable/dp/B09N8NJPBK/ref=pd_sbs_39/135-9787194-0668847?pd_rd_w=zW18&pf_rd_p=0a3ad226-8a77-4898-9a99-63feb1aef90&pf_rd_r=8J874MPZ81R2MYM3T38J&pd_rd_r=cee0e28c-db6a-4382-8527-c4a860069cfa&pd_rd_wg=DDUR8&pd_rd_i=B09N8NJPBK&psc=1>.*

* cited by examiner

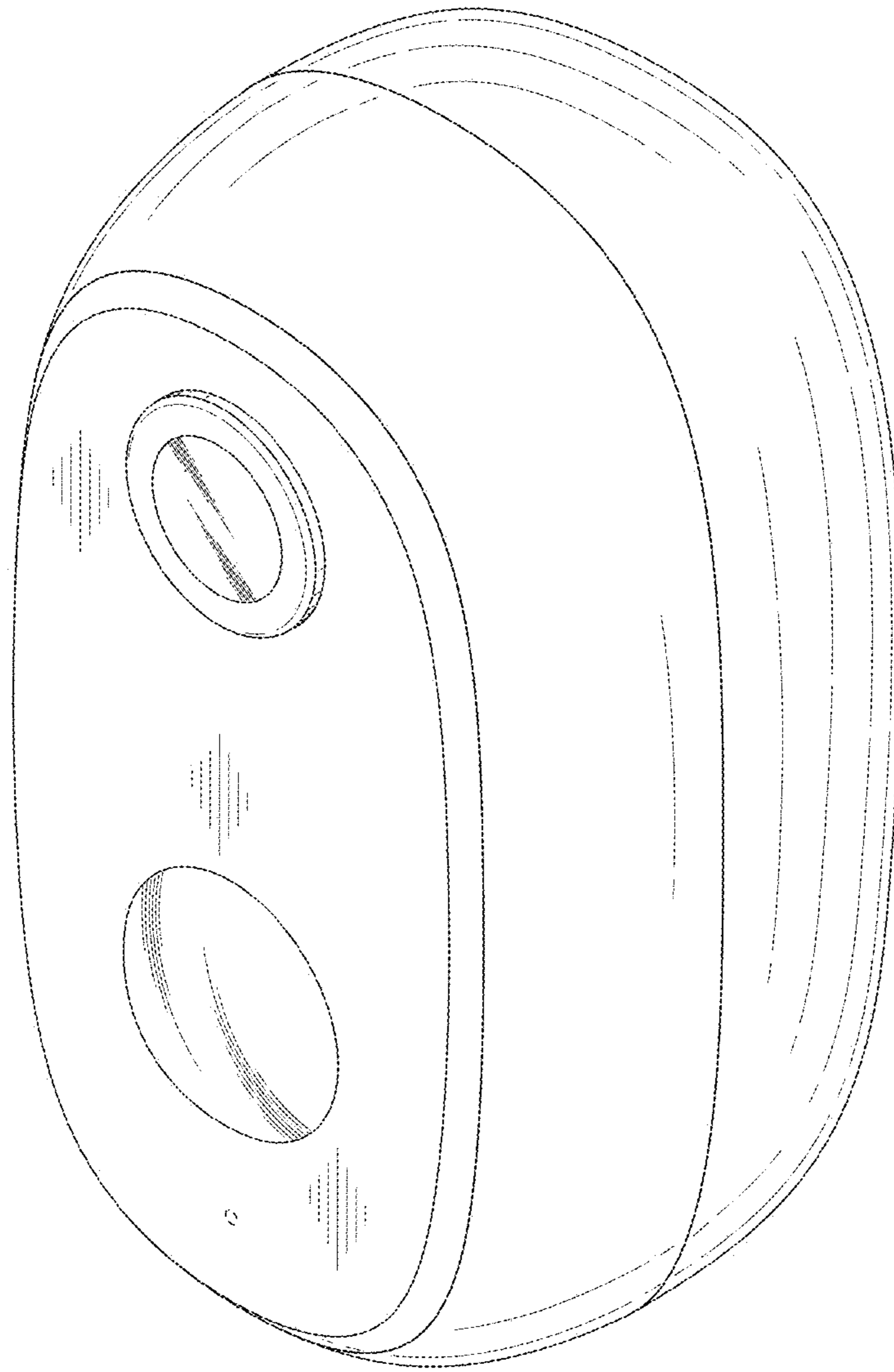


FIG. 1

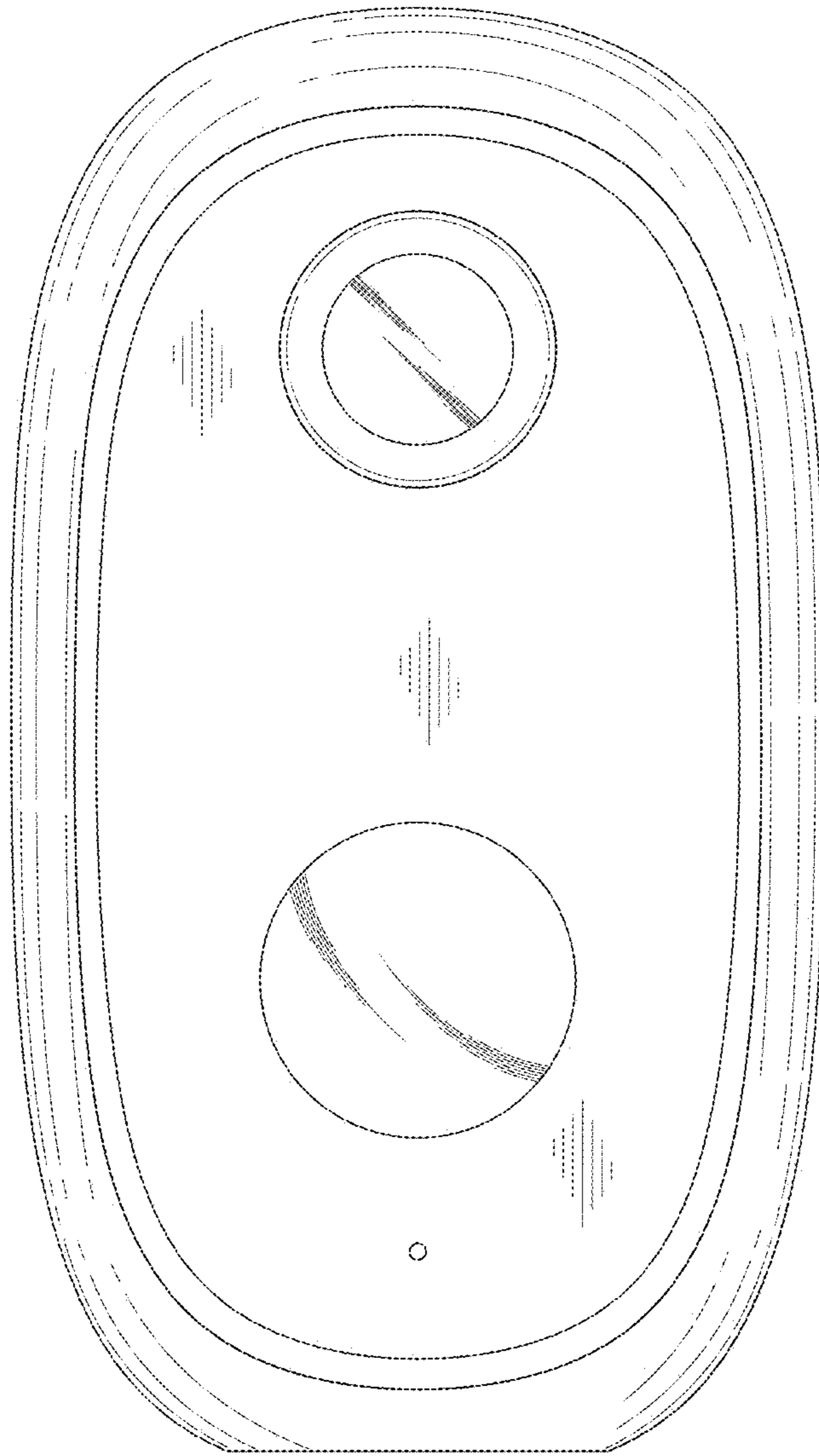


FIG. 2

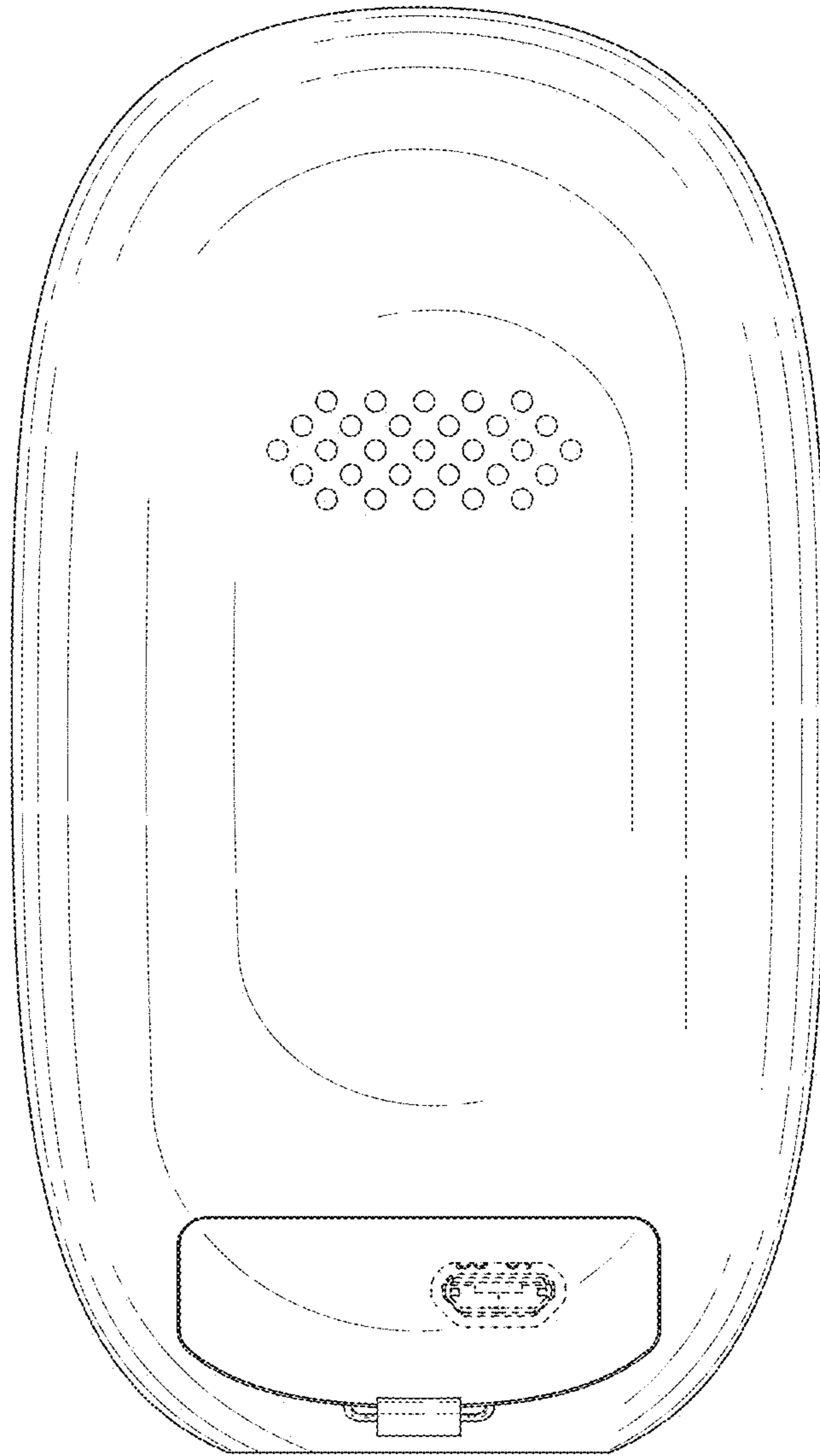


FIG.3

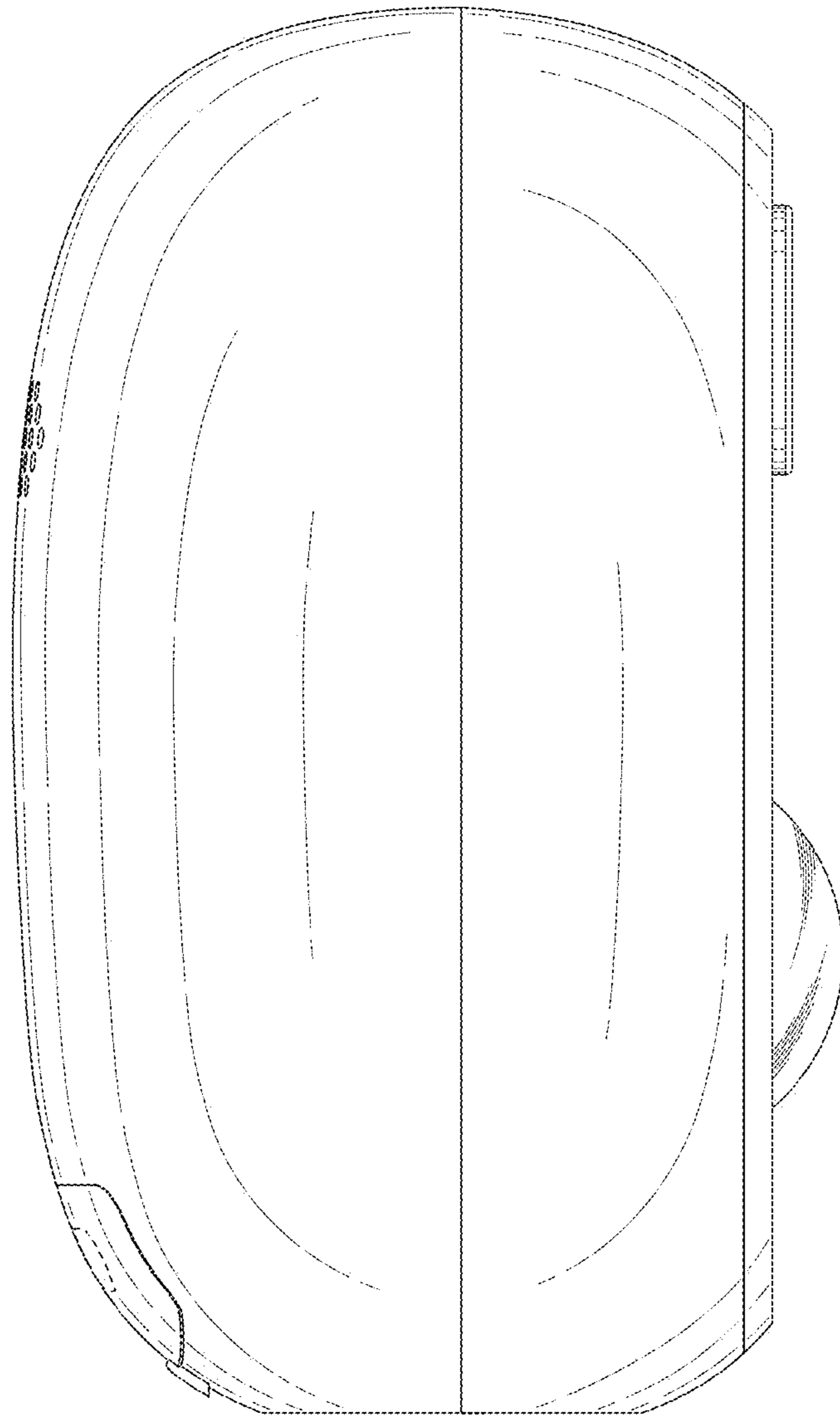


FIG.4

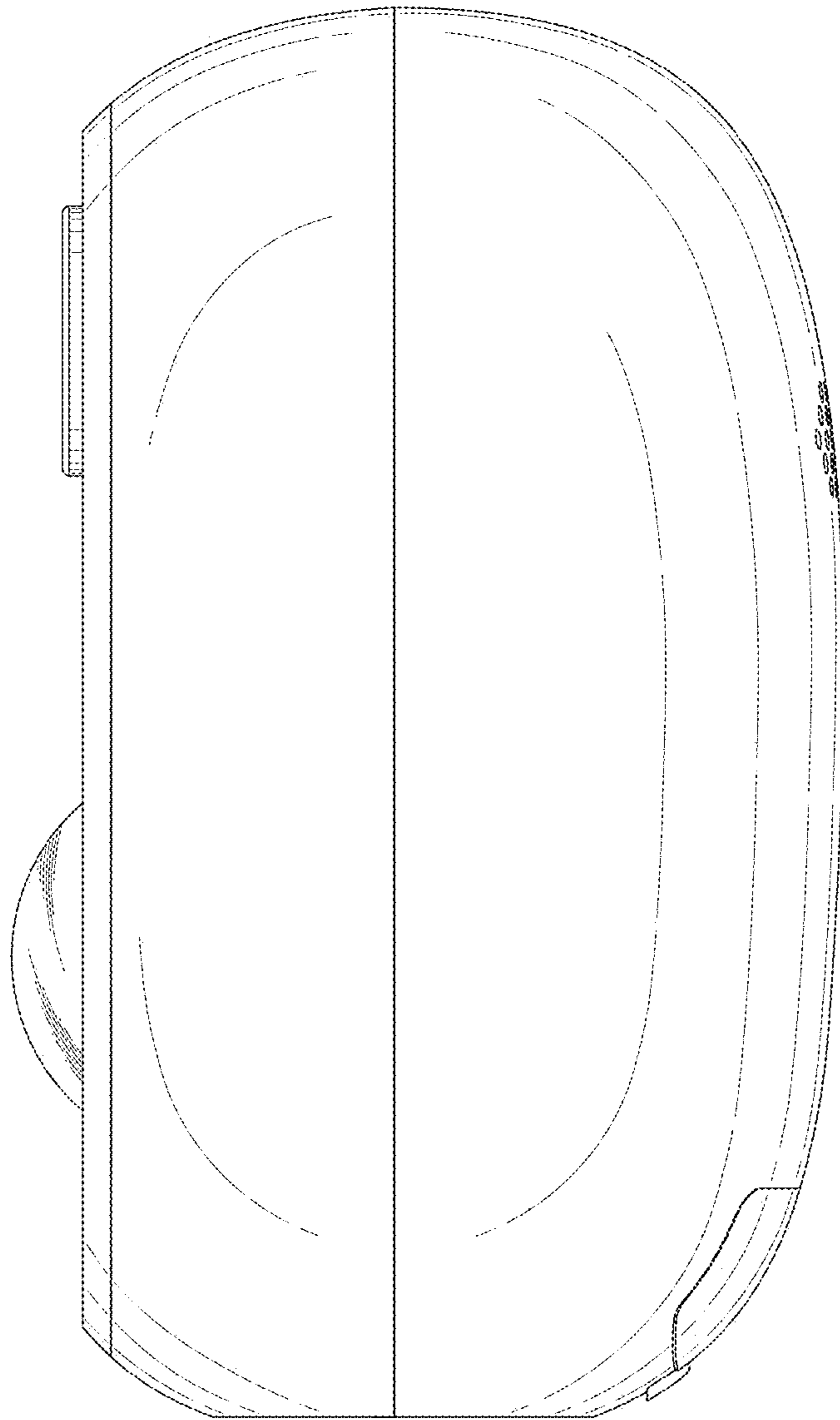


FIG.5

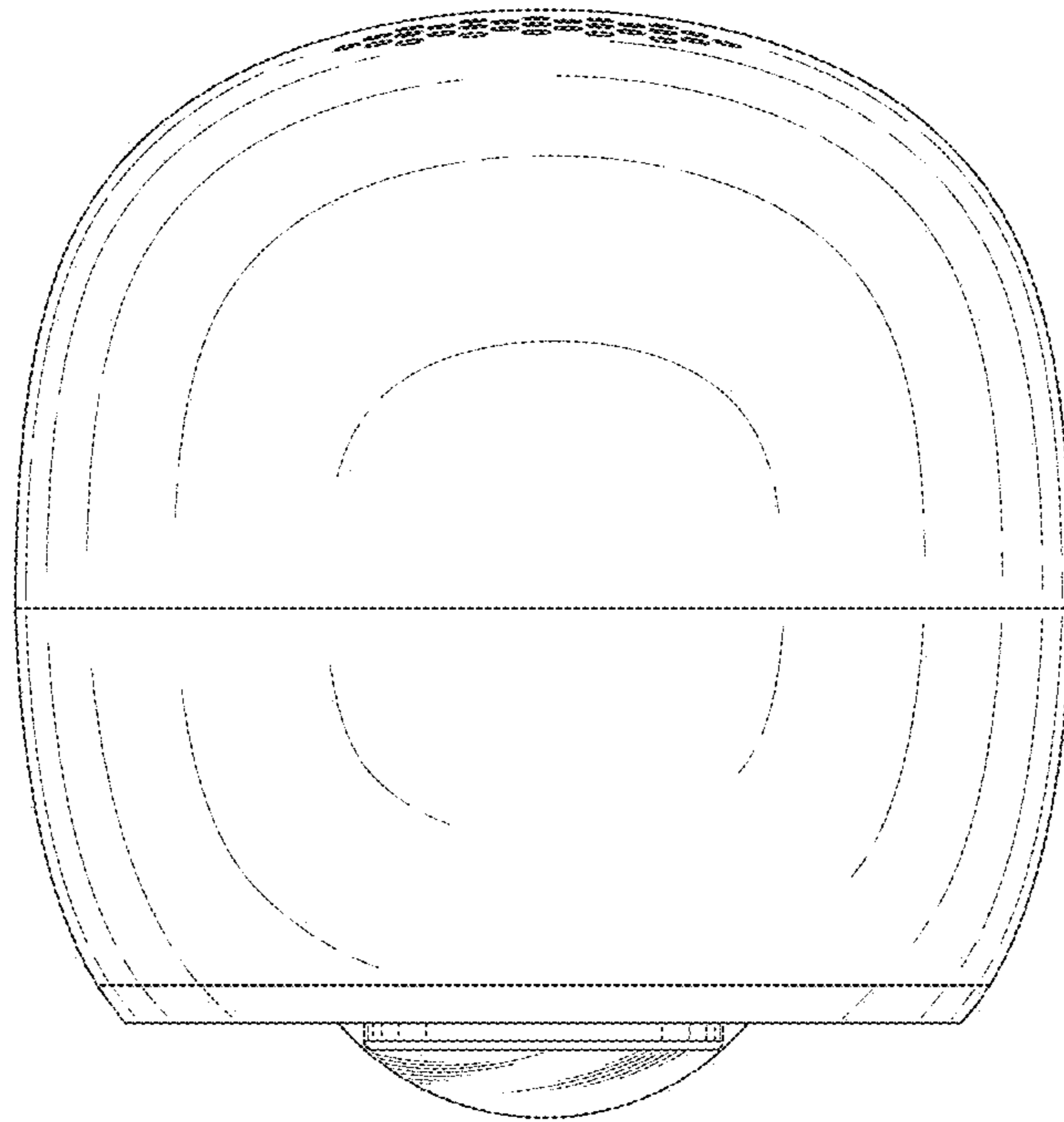


FIG.6

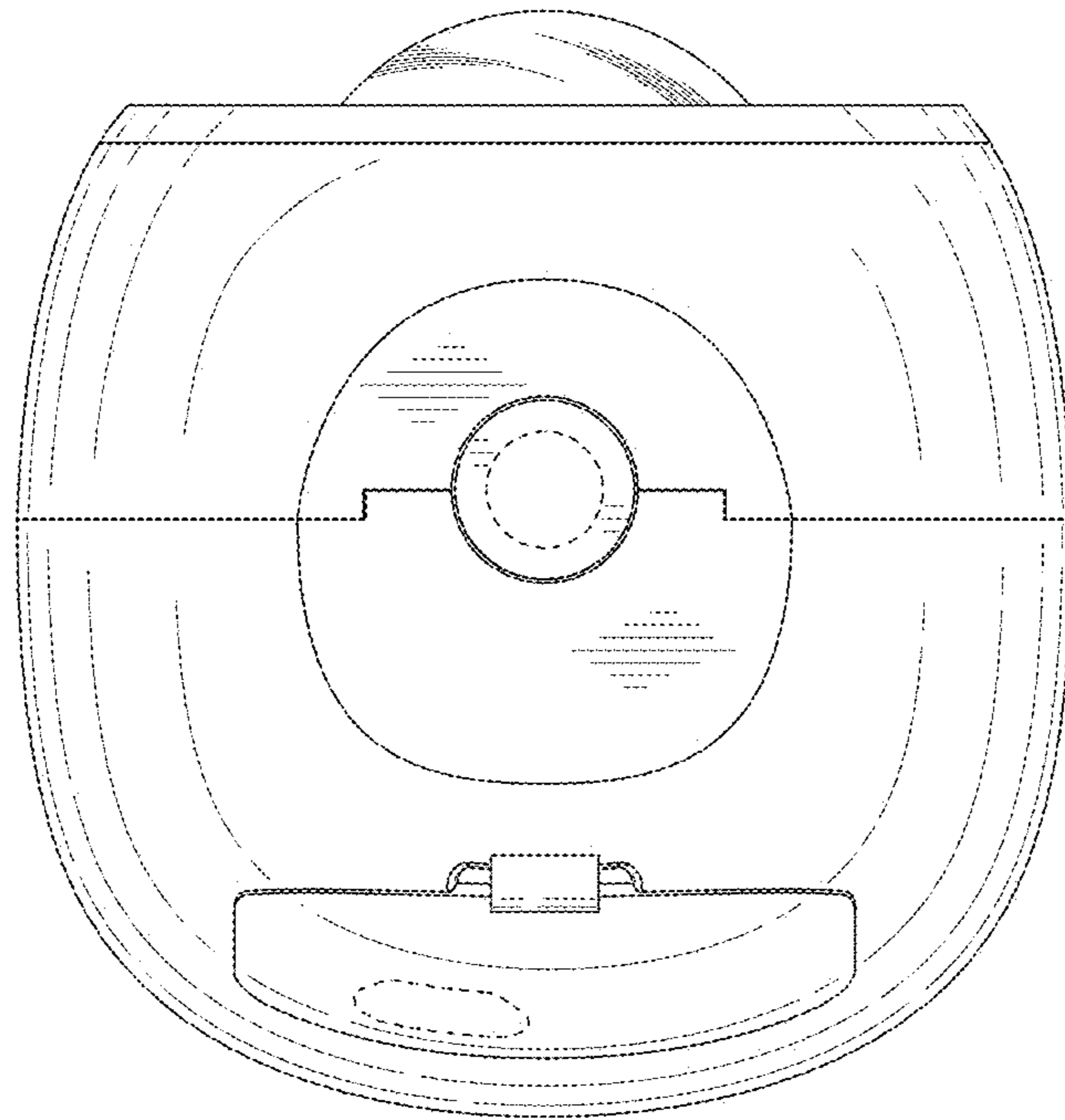


FIG.7

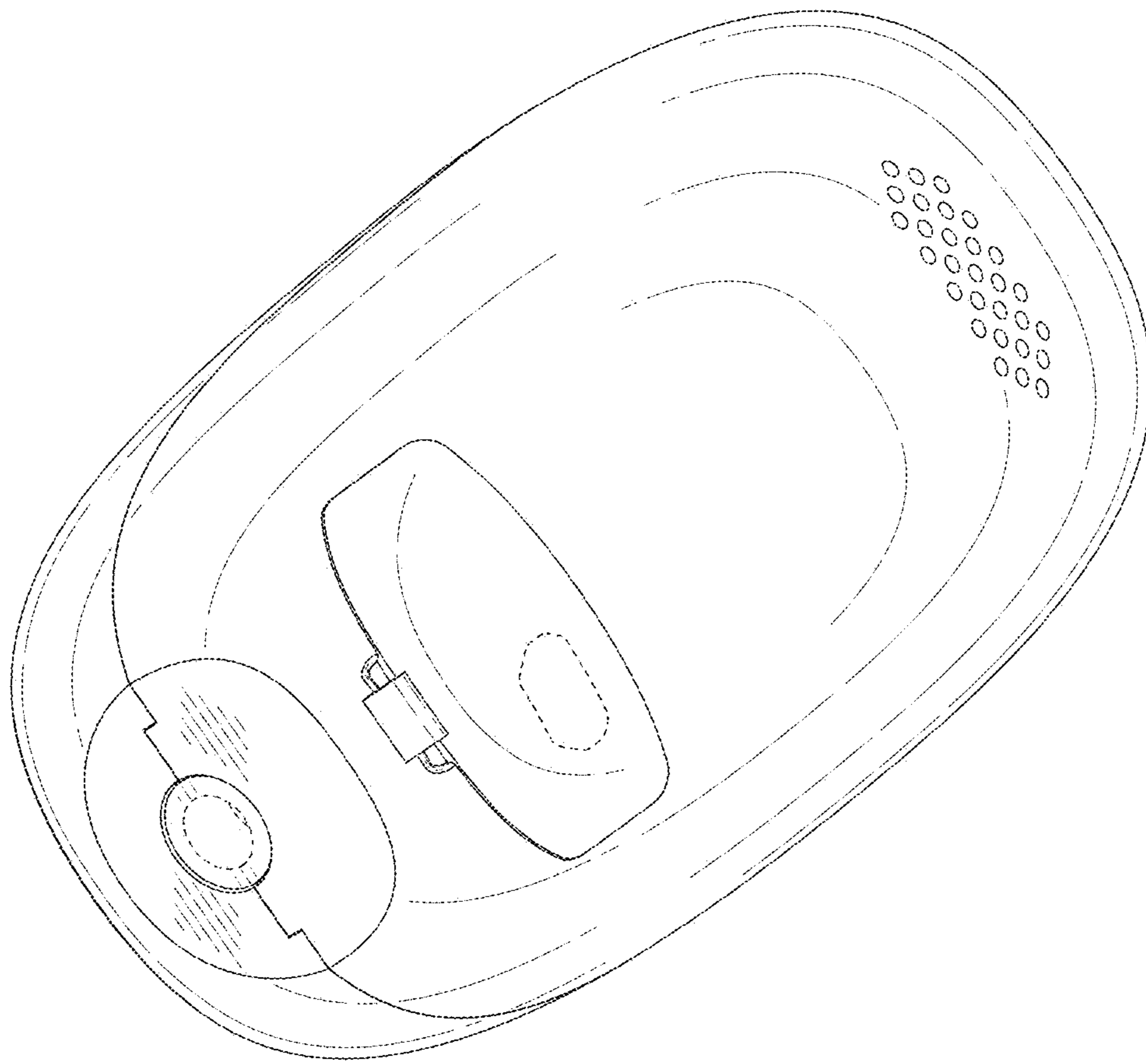


FIG. 8