



US00D954126S

(12) **United States Design Patent**  
**Sponring**

(10) **Patent No.:** **US D954,126 S**

(45) **Date of Patent:** **\*\* Jun. 7, 2022**

(54) **CAMERA**

(71) Applicant: **GN Audio A/S**, Ballerup (DK)

(72) Inventor: **Otto Sponring**, Ballerup (DK)

(73) Assignee: **GN AUDIO A/S**, Ballerup (DK)

(\*\*) Term: **15 Years**

(21) Appl. No.: **29/781,846**

(22) Filed: **Apr. 30, 2021**

**Related U.S. Application Data**

(62) Division of application No. 29/719,547, filed on Jan. 6, 2020, now Pat. No. Des. 931,926.

(51) **LOC (13) Cl.** ..... **16-01**

(52) **U.S. Cl.**  
USPC ..... **D16/202**; D16/218

(58) **Field of Classification Search**  
USPC ..... D16/200, 202–203, 208, 218, 219, 242;  
248/187.1; 348/14.01–14.6, 143, 148,  
348/151, 373–376; 396/419, 427, 428,  
396/535, 539–541

CPC ..... G03B 17/02; G03B 19/04; G03B 17/56;  
G03B 17/04; G03B 15/03; H04N  
2101/00; H04N 2007/145; H04N 7/141;  
H04N 7/142; H04N 7/147; H04N 7/148;  
H04N 7/15; H04N 7/152

See application file for complete search history.

(56) **References Cited**

**U.S. PATENT DOCUMENTS**

D632,719 S 2/2011 Tsai et al.  
D643,456 S \* 8/2011 Won ..... D16/218  
D682,332 S 5/2013 Wang et al.  
8,475,059 B2 7/2013 Khamsepoor et al.  
D712,951 S 9/2014 Chou et al.

D744,573 S \* 12/2015 Matsumiya ..... D16/218  
D745,586 S \* 12/2015 Chou ..... D16/202  
D783,075 S 4/2017 Maxwell et al.  
D795,162 S \* 8/2017 Kwon ..... D12/400  
D803,805 S \* 11/2017 Coffey ..... D14/130  
D849,089 S 5/2019 Lu  
D870,790 S 12/2019 Depay et al.  
D874,541 S \* 2/2020 Kapuria ..... D16/208  
D893,577 S \* 8/2020 Dearsley ..... D16/218  
D902,971 S 11/2020 Voron et al.  
D907,089 S 1/2021 Michaelian et al.  
D907,090 S 1/2021 Zheng et al.  
D908,156 S 1/2021 Michaelian  
D909,445 S \* 2/2021 Voron ..... D16/202  
D909,446 S 2/2021 Ross et al.  
D910,730 S \* 2/2021 Hao ..... D16/202  
D912,717 S \* 3/2021 Russo ..... D16/202  
D924,299 S \* 7/2021 Gartrell ..... D16/202

(Continued)

*Primary Examiner* — Ramzi Almatrahi

(74) *Attorney, Agent, or Firm* — Hamre, Schumann,  
Mueller & Larson, P.C.

(57) **CLAIM**

The ornamental design for a camera, as shown and described.

**DESCRIPTION**

FIG. 1 is a Top, Front and Right Side Perspective view of a camera;

FIG. 2 is a Bottom, Rear and Right Side Perspective view thereof.

FIG. 3 is a Front Elevation view thereof.

FIG. 4 is a Rear Elevation view thereof.

FIG. 5 is a Left Side Elevation view thereof.

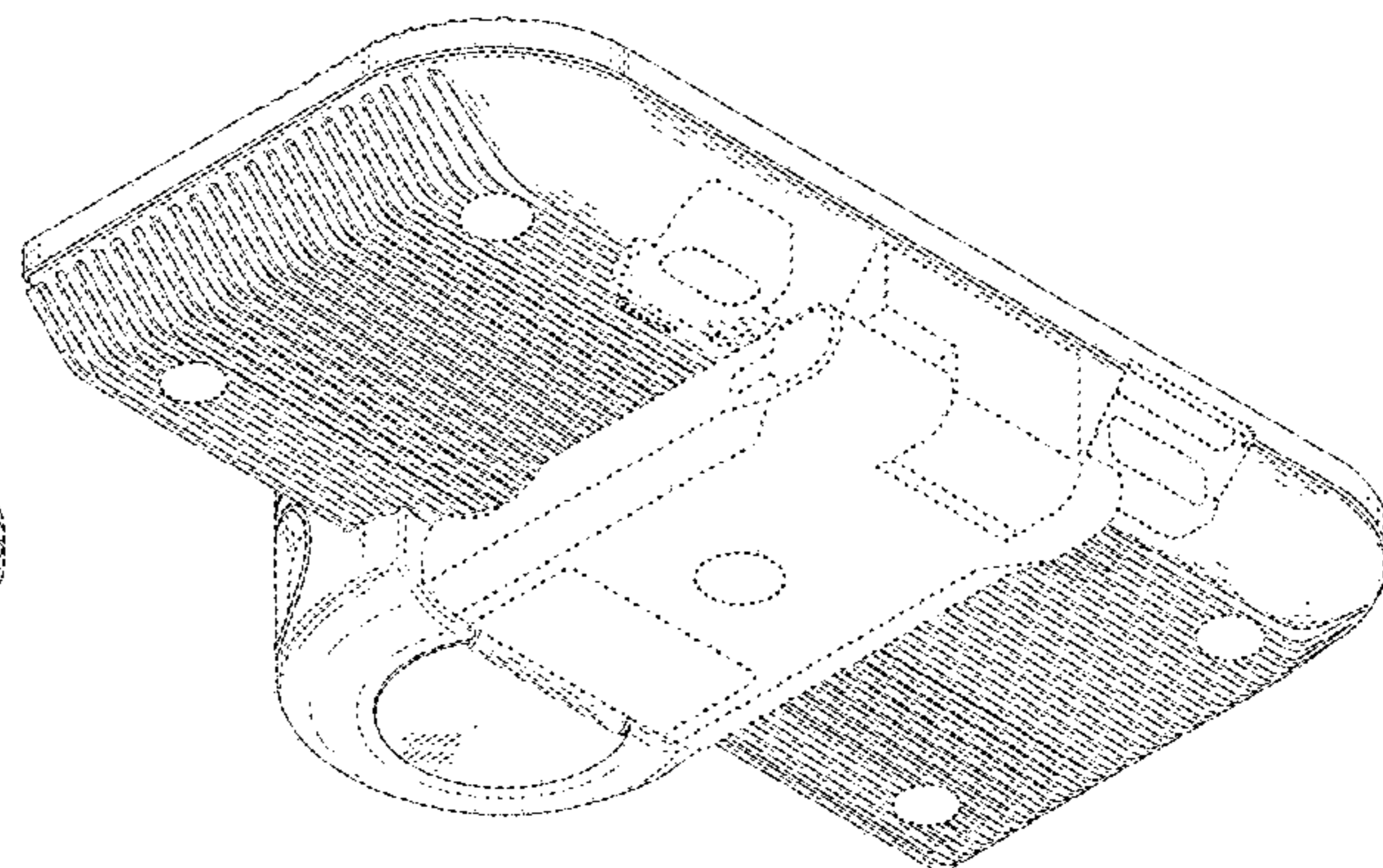
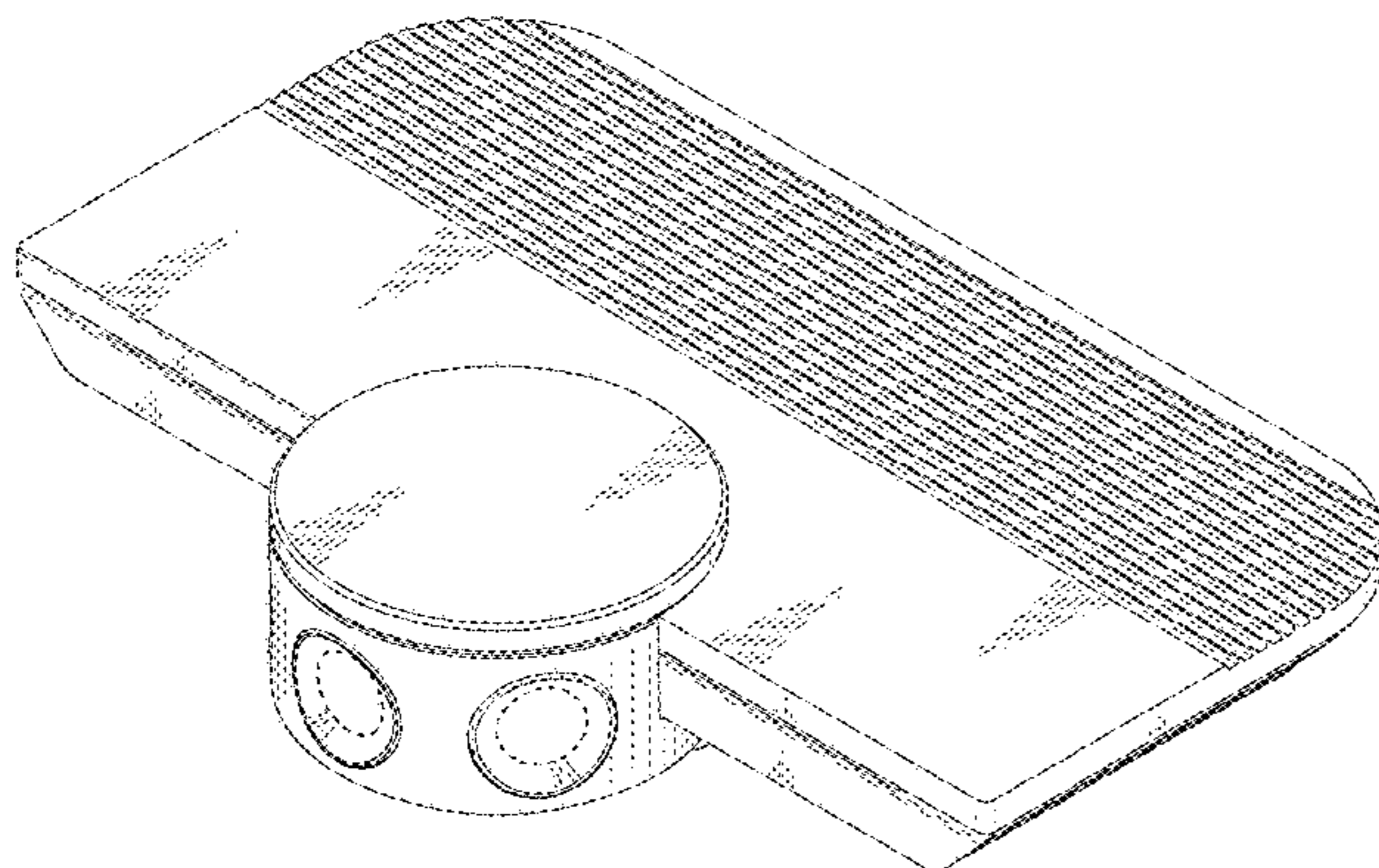
FIG. 6 is a Right Side Elevation view thereof.

FIG. 7 is a Top Plan view thereof; and,

FIG. 8 is a Bottom Plan view thereof.

The broken lines depict portions of the camera in which the design is embodied that form no part of the claimed design.

**1 Claim, 6 Drawing Sheets**



(56)

**References Cited**

U.S. PATENT DOCUMENTS

D926,244 S \* 7/2021 Ross ..... D16/219  
D929,482 S \* 8/2021 Livaudais ..... D16/202

\* cited by examiner

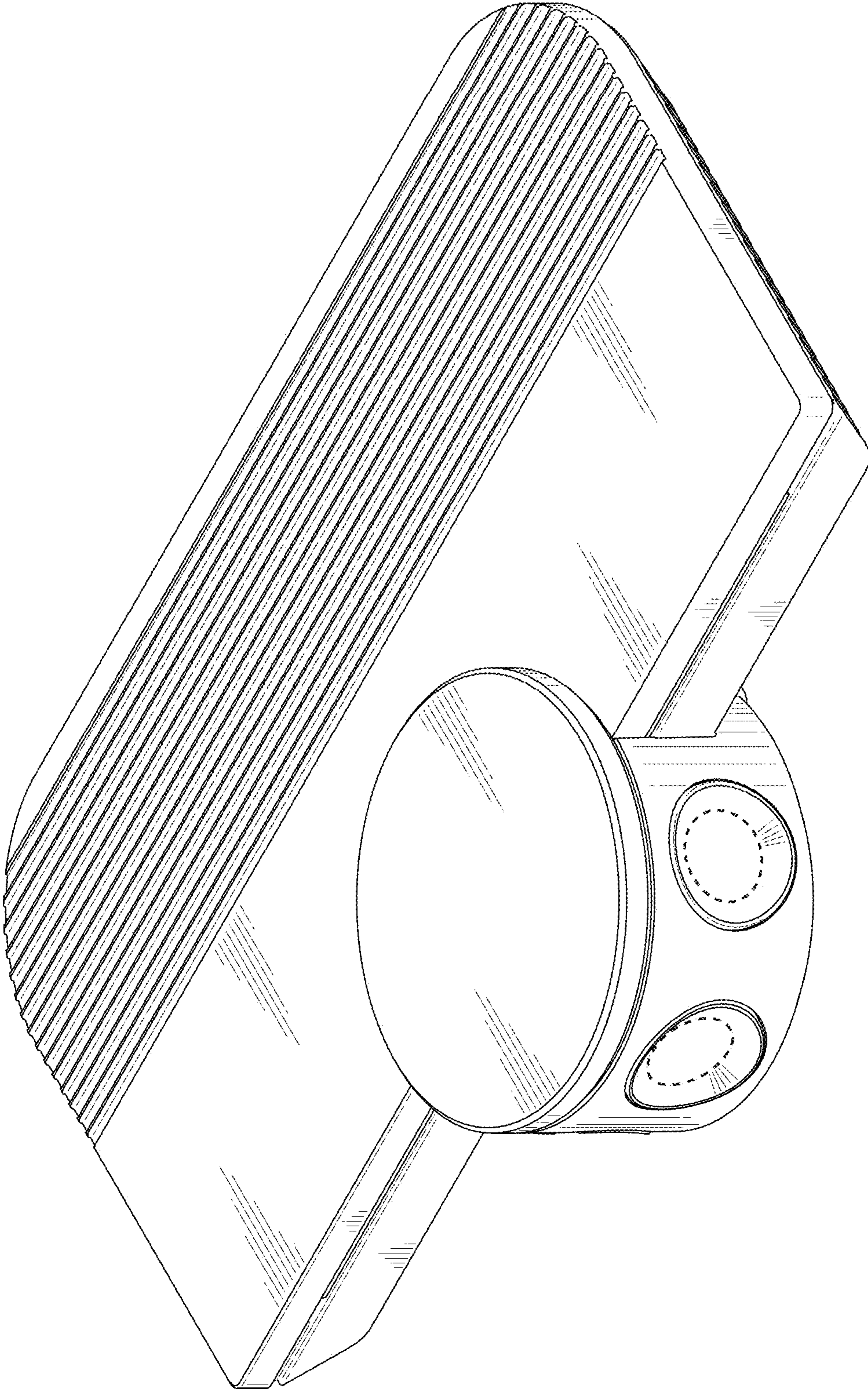


FIG. 1

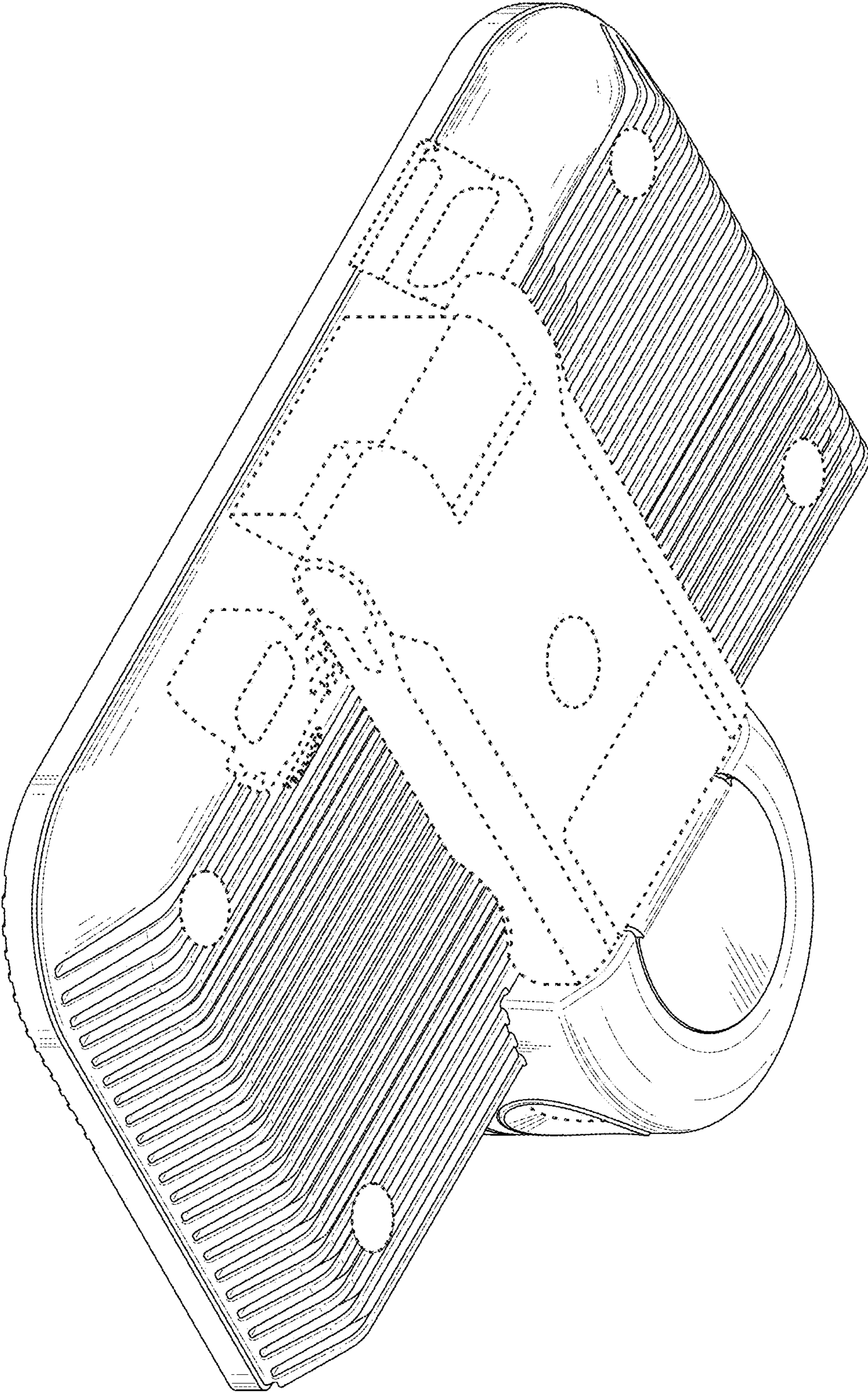


FIG. 2

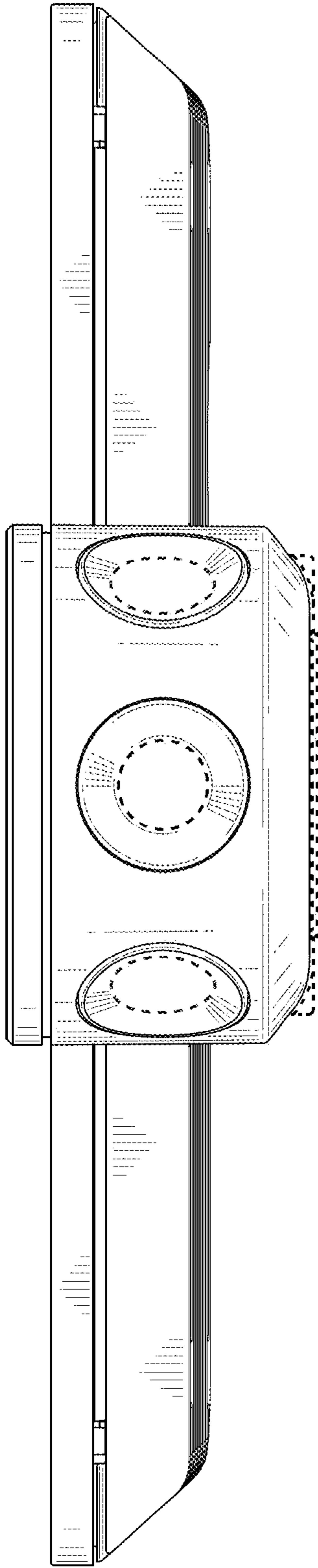


FIG. 3

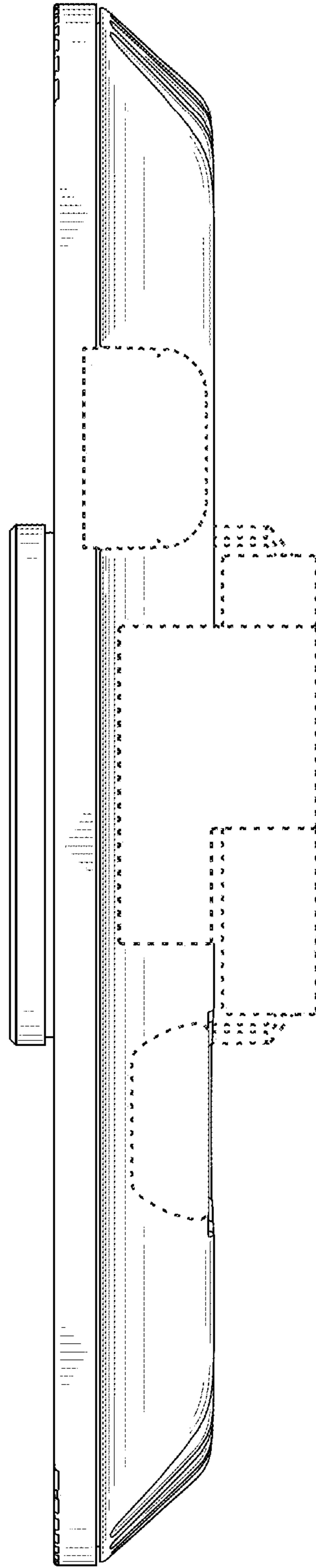


FIG. 4

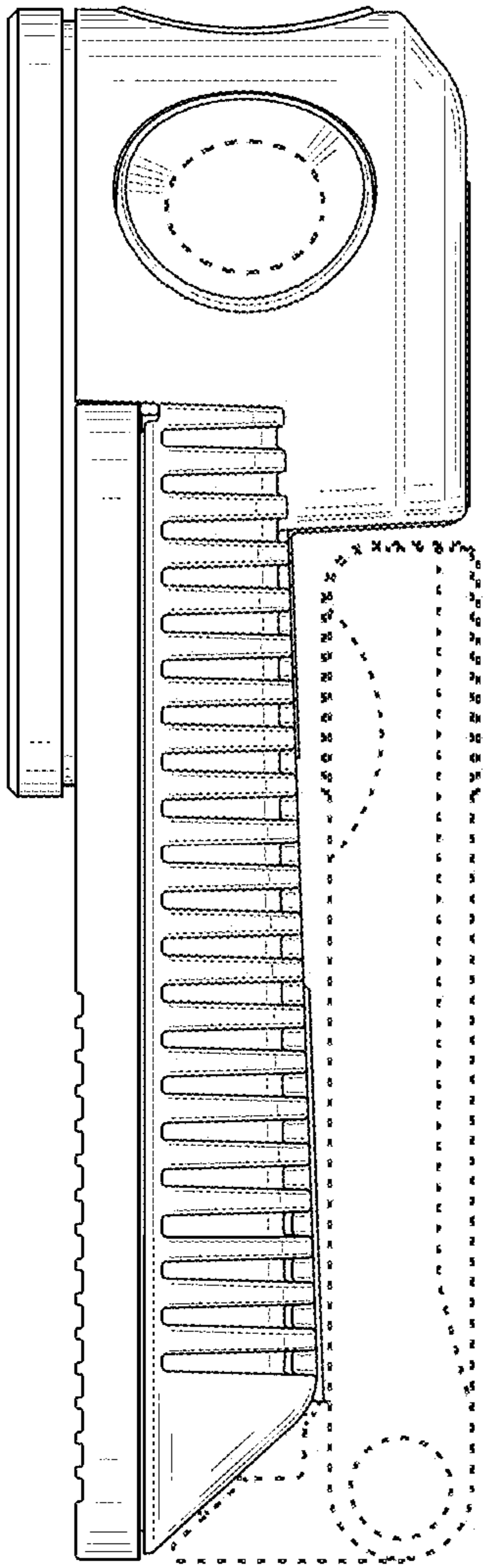


FIG. 5

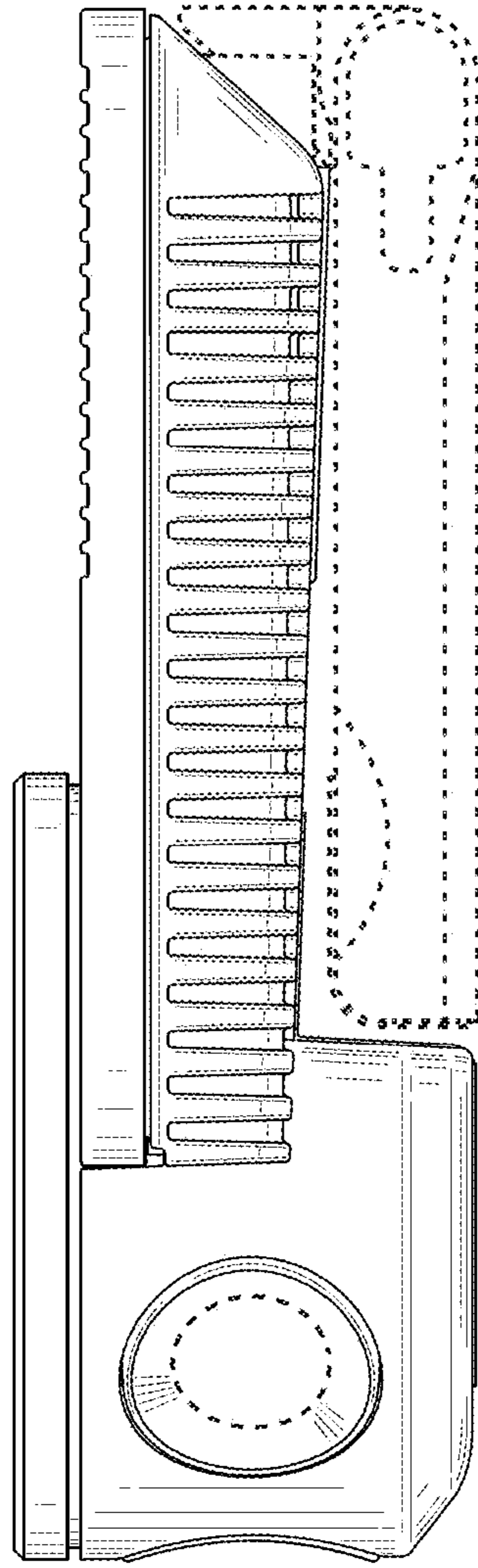


FIG. 6

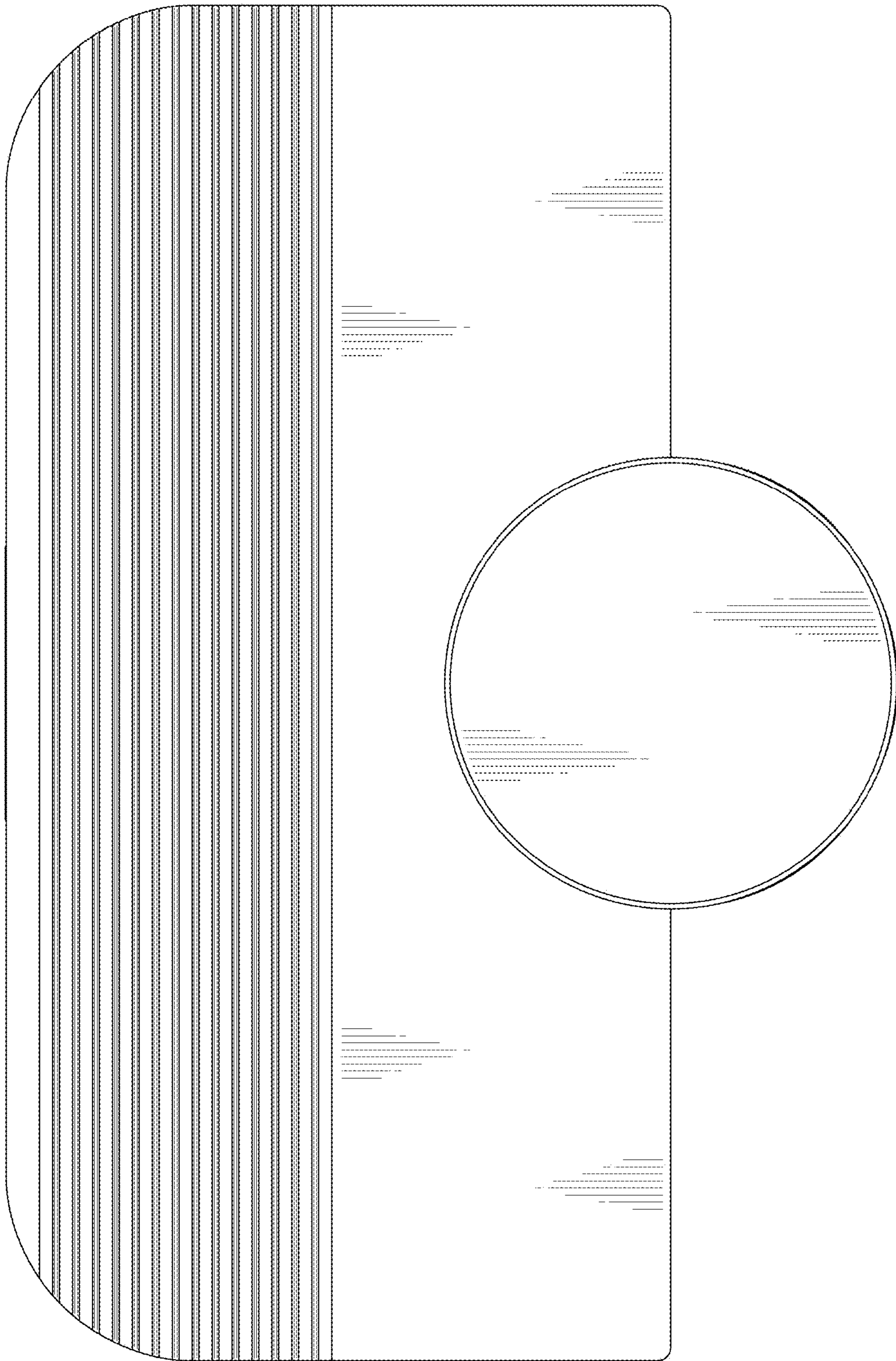


FIG. 7

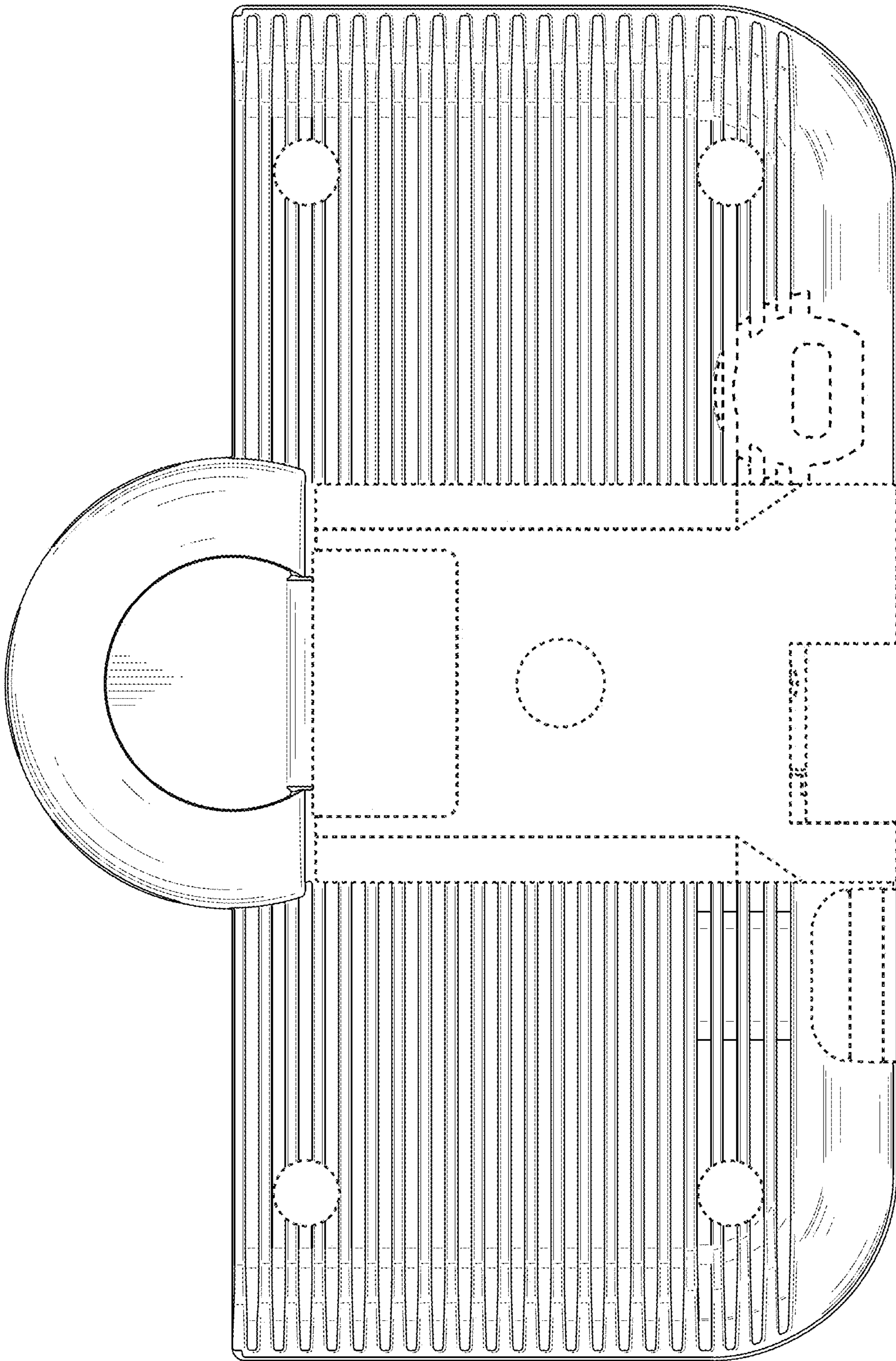


FIG. 8