



US00D954123S

(12) **United States Design Patent**
Jiang

(10) **Patent No.:** **US D954,123 S**

(45) **Date of Patent:** **** Jun. 7, 2022**

(54) **NIGHT VISION GOGGLES**

(71) Applicant: **SHENZHEN ZHUOPU DIGITAL TECHNOLOGY CO., LTD.**, Shenzhen (CN)

(72) Inventor: **Qingwen Jiang**, Shenzhen (CN)

(73) Assignee: **SHENZHEN ZHUOPU DIGITAL TECHNOLOGY CO., LTD.**, Shenzhen (CN)

(**) Term: **15 Years**

(21) Appl. No.: **29/795,939**

(22) Filed: **Jun. 22, 2021**

(51) **LOC (13) Cl.** **16-06**

(52) **U.S. Cl.**
USPC **D16/133**

(58) **Field of Classification Search**
USPC D16/130, 131, 132, 133, 135, 136, 200,
D16/202, 203, 219, 230
CPC G02B 23/00; G02B 23/04; G02B 23/12;
G02B 23/14; G02B 23/18
See application file for complete search history.

(56) **References Cited**

U.S. PATENT DOCUMENTS

D484,900 S *	1/2004	Lee	D16/133
D487,761 S *	3/2004	Hamamura	D16/133
D518,498 S *	4/2006	Reed	D16/132
D522,033 S *	5/2006	Kitera	D16/133
D660,895 S *	5/2012	Fischbach	D16/133
D716,858 S *	11/2014	Kobayashi	D16/132
D752,670 S *	3/2016	Chen	D16/132

D827,015 S	8/2018	Chen	
D850,507 S *	6/2019	Sun D16/133
D851,152 S *	6/2019	Hebert D16/131
D851,153 S *	6/2019	Chen D16/133
D853,467 S	7/2019	Chen	
10,466,467 B2 *	11/2019	Chen G02B 7/06
D911,410 S *	2/2021	An D16/133
D938,507 S *	12/2021	Zeng D16/133
2021/0021755 A1 *	1/2021	Salzburger H04N 5/23293
2021/0141219 A1 *	5/2021	Chen G02B 23/12

OTHER PUBLICATIONS

BARSKANight Vision, <https://www.amazon.com/dp/B08CBHF6KP/>, Jul. 8, 2020 (Year: 2020).*

* cited by examiner

Primary Examiner — Richard Kearney
Assistant Examiner — Benjamin M Weeks

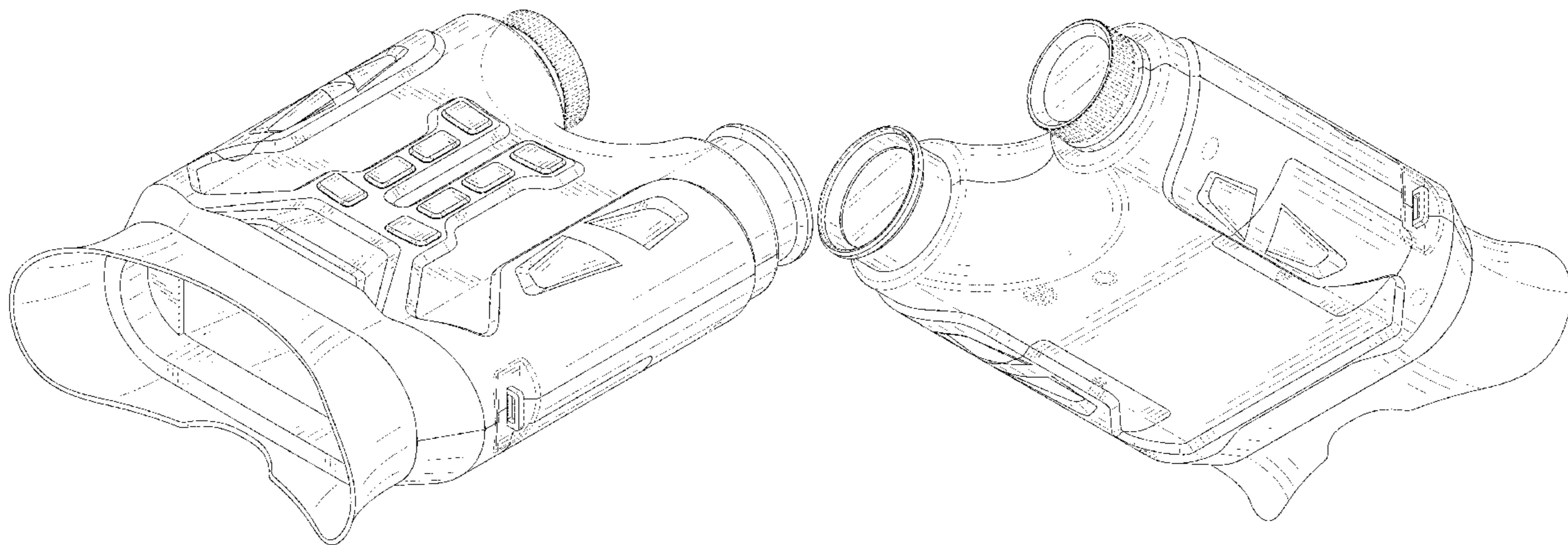
(57) **CLAIM**

The ornamental design for a night vision goggles, as shown and described.

DESCRIPTION

FIG. 1 is a perspective view of a night vision goggles showing my new design;
FIG. 2 is another perspective view thereof;
FIG. 3 is a front elevational view thereof;
FIG. 4 is a rear elevational view thereof;
FIG. 5 is a left side elevational view thereof;
FIG. 6 is a right side elevational view thereof;
FIG. 7 is a top plan view thereof; and,
FIG. 8 is a bottom plan view thereof.
The broken lines in the drawings depict portions of the night vision goggles that form no part of the claimed design.

1 Claim, 8 Drawing Sheets



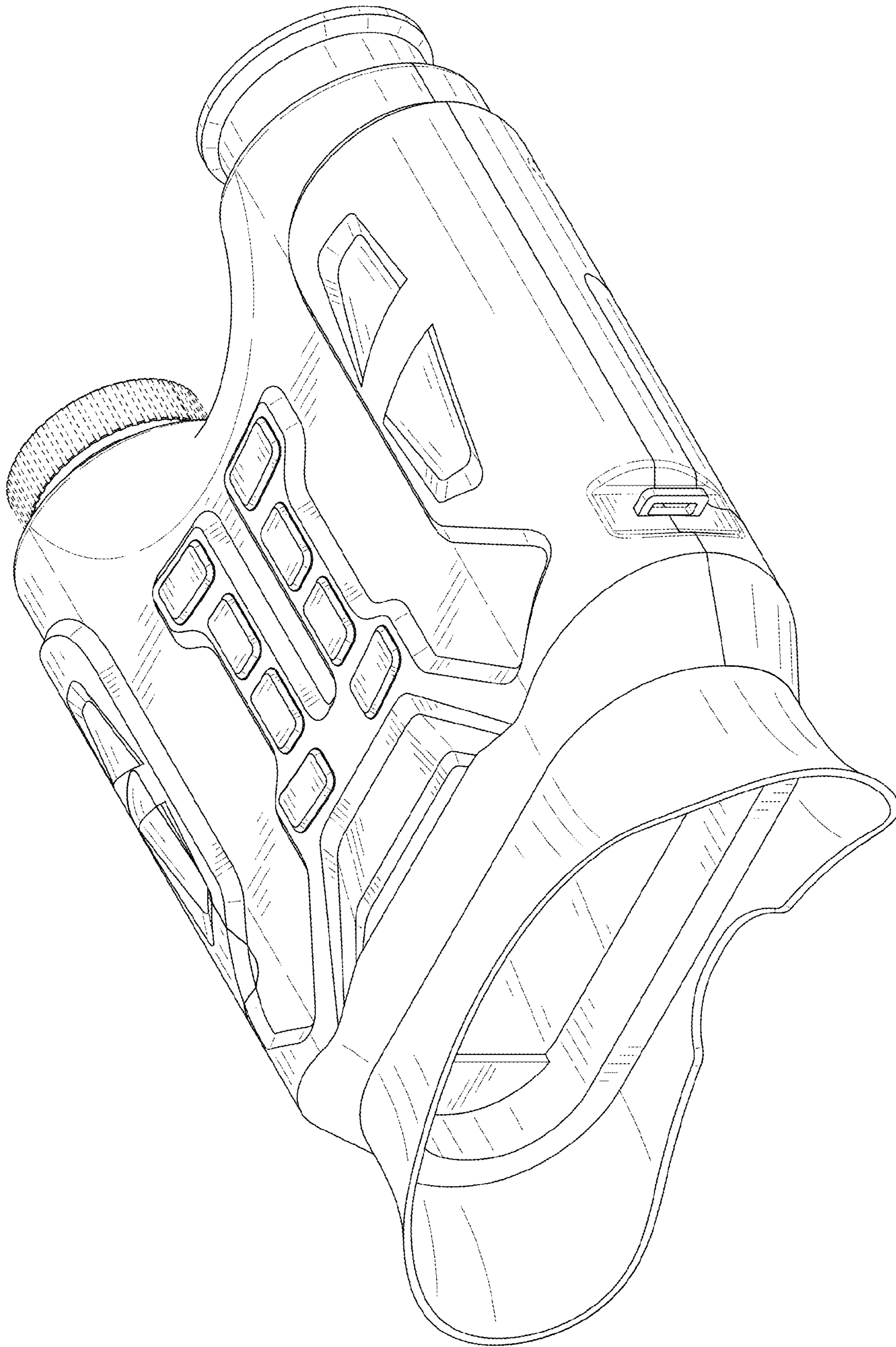


FIG. 1

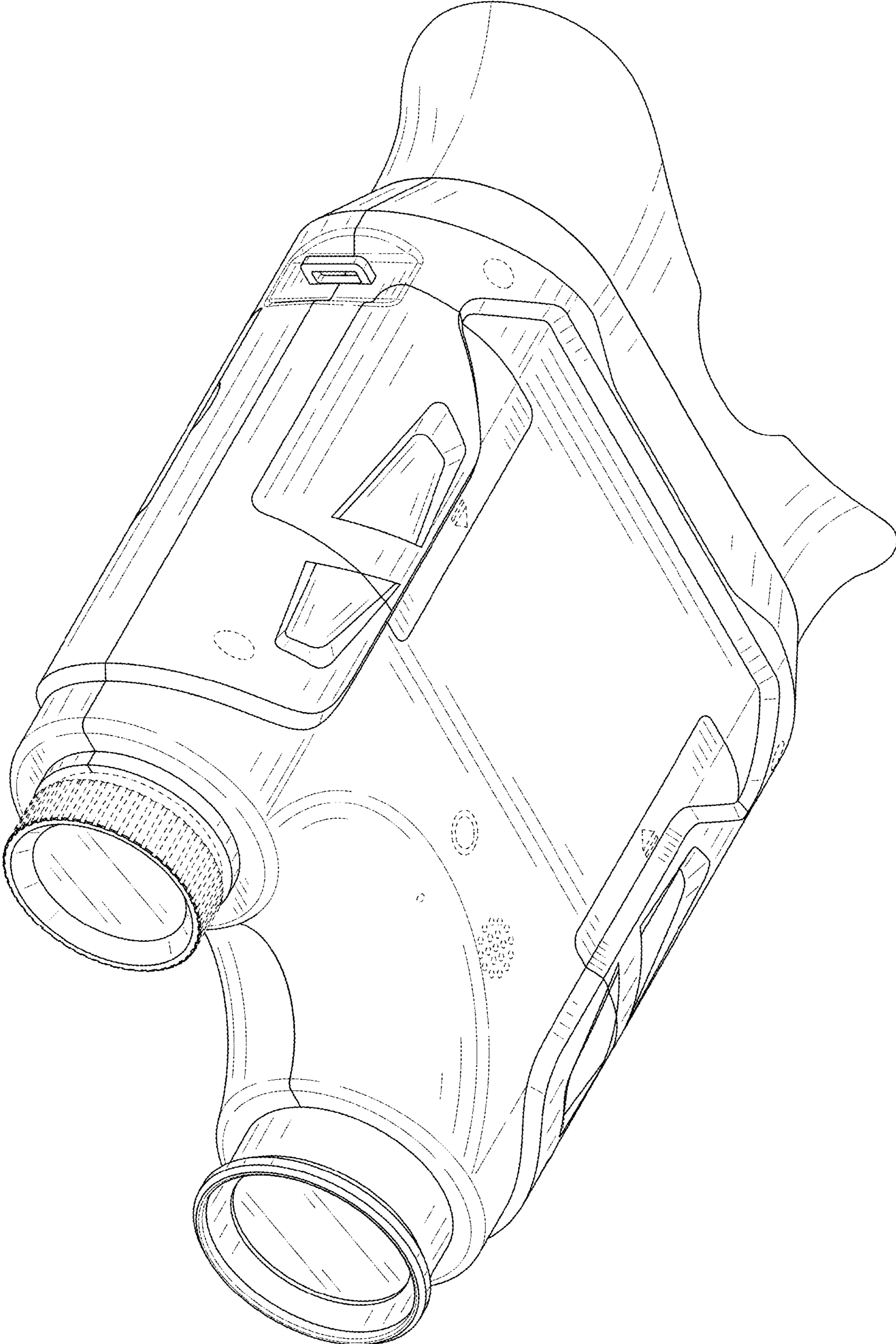


FIG. 2

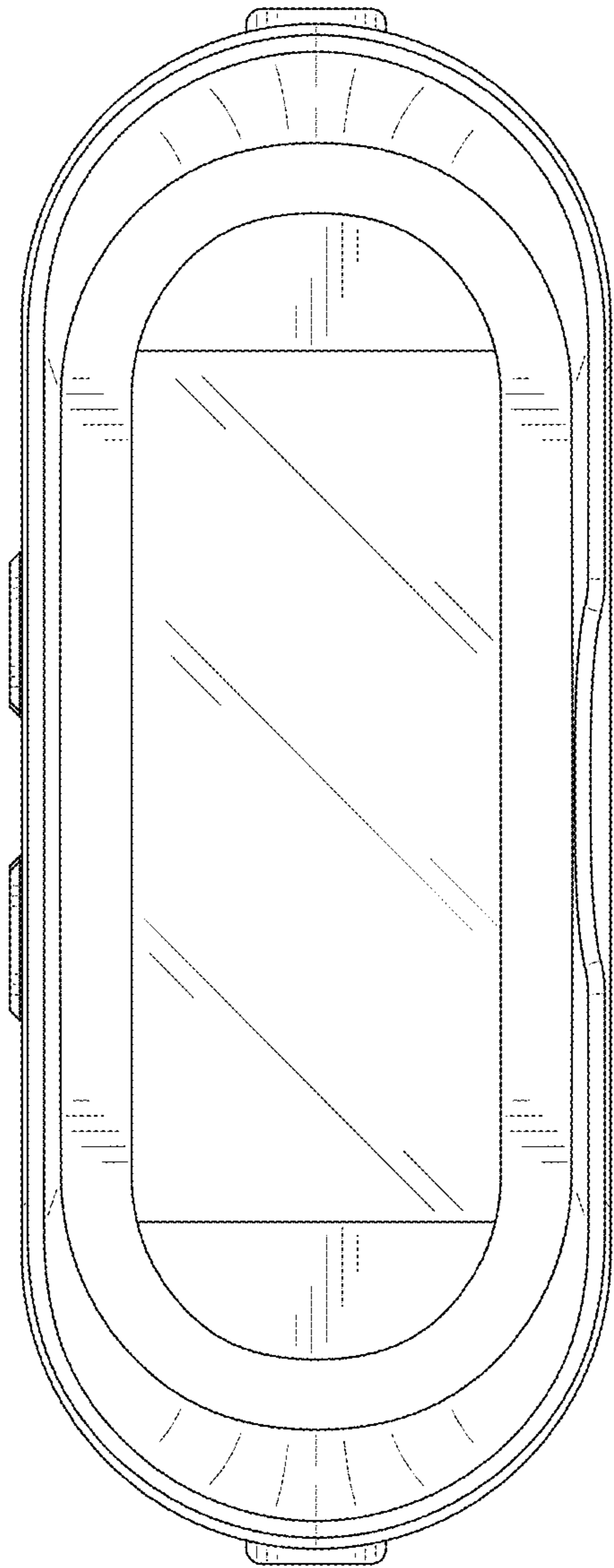


FIG. 3

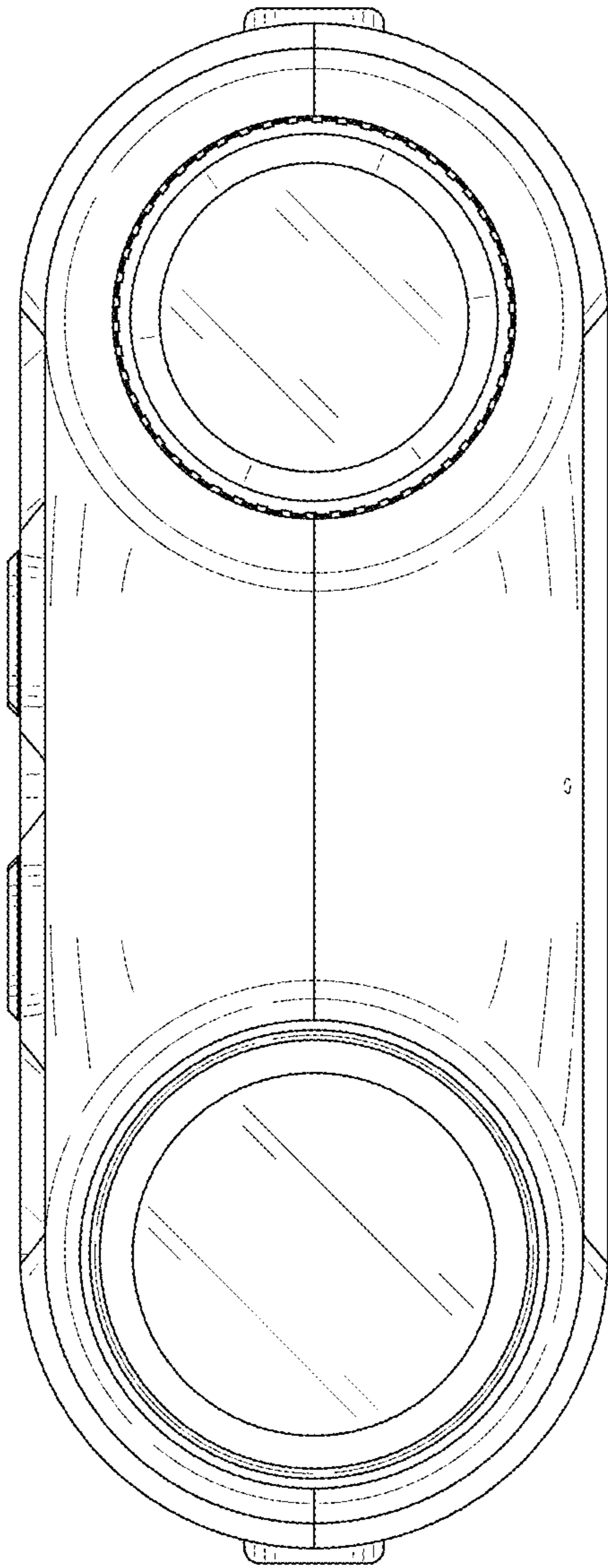


FIG. 4

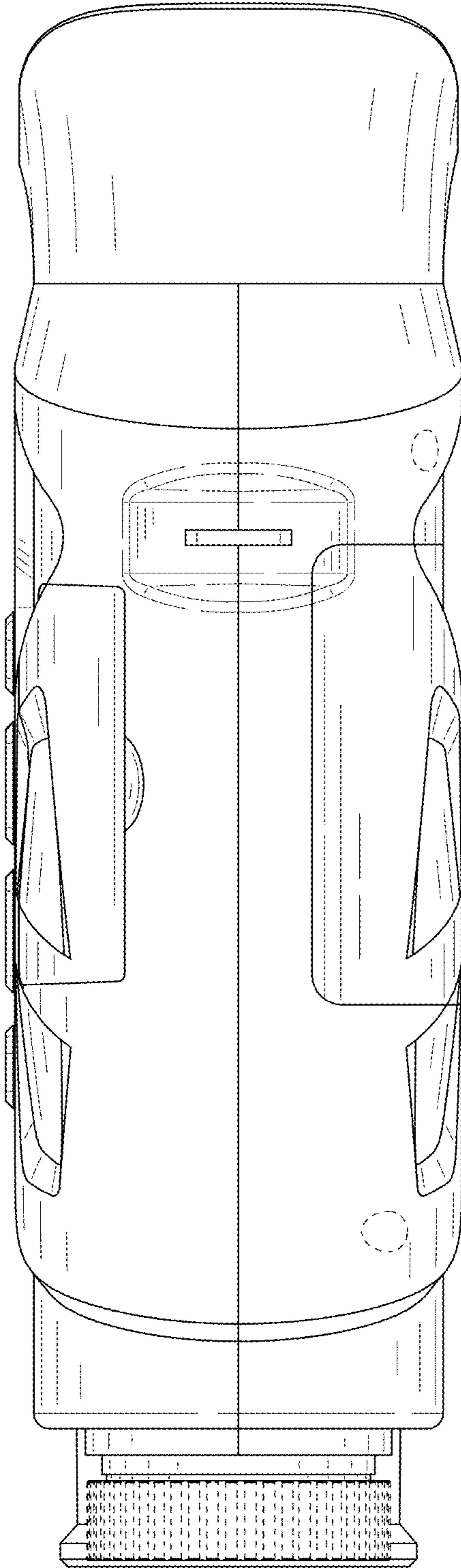


FIG. 5

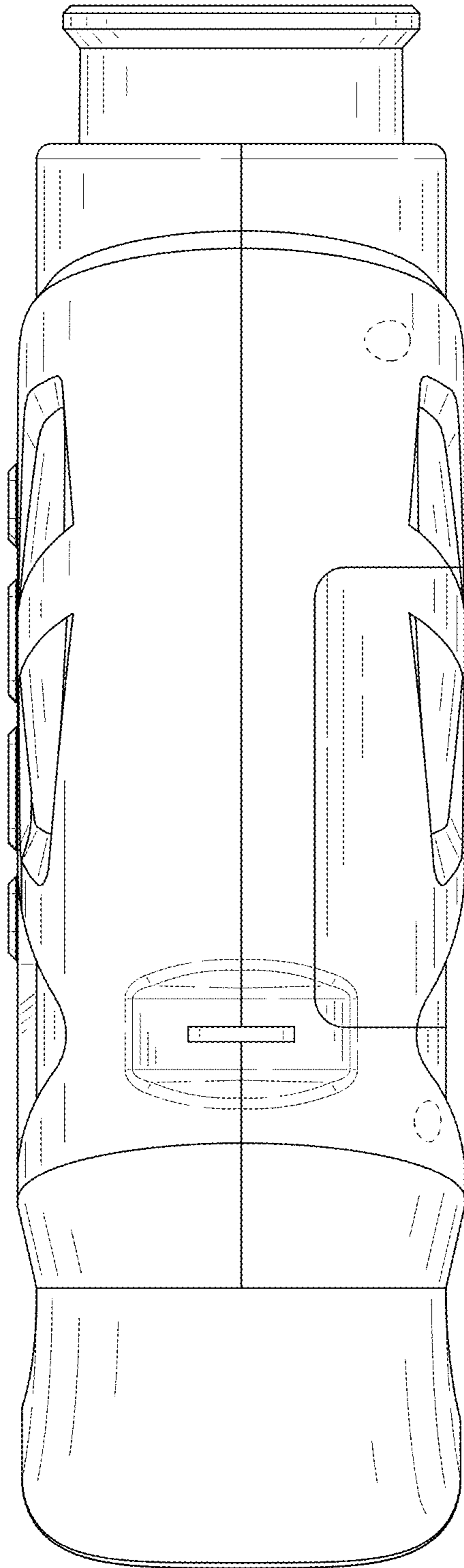


FIG. 6

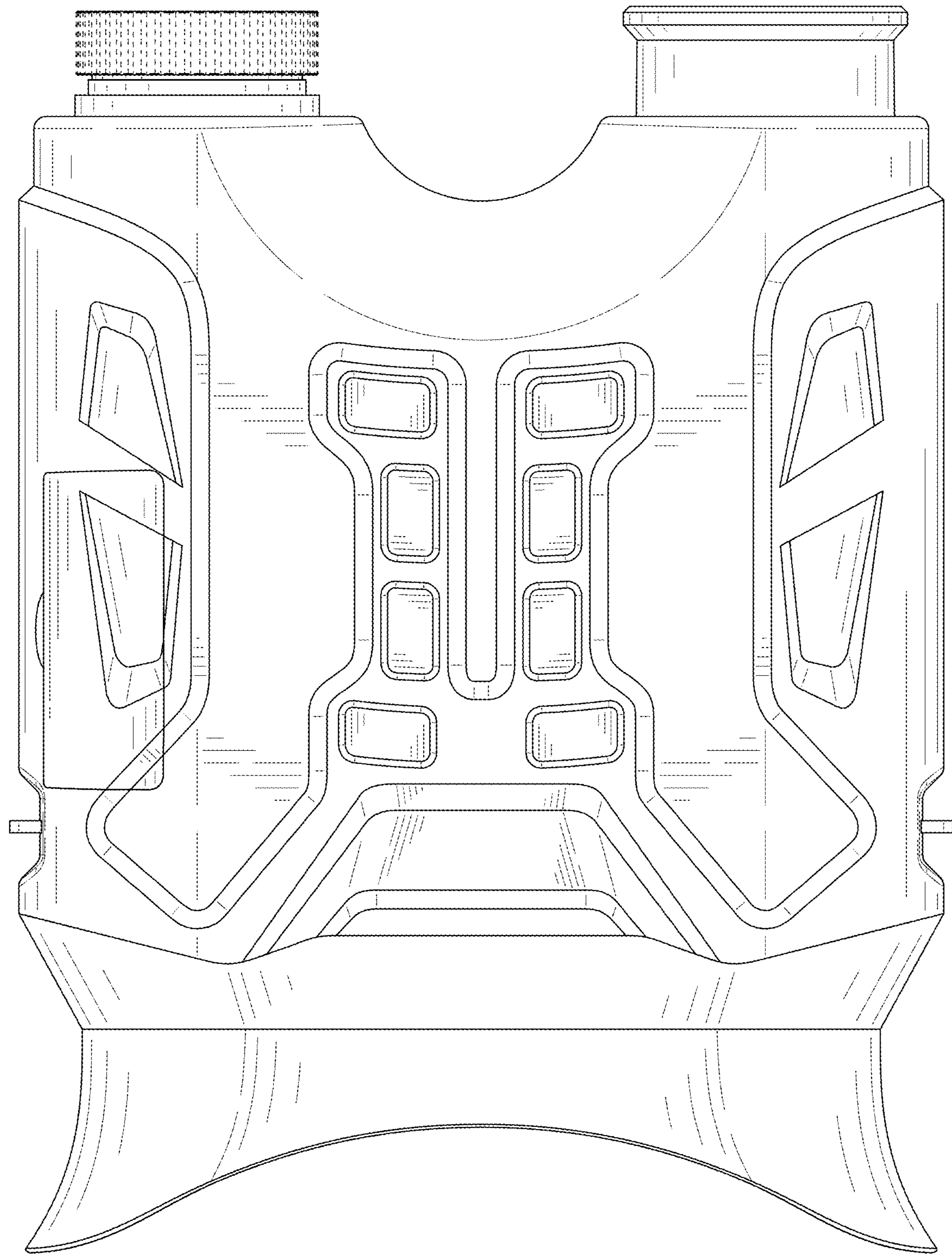


FIG. 7

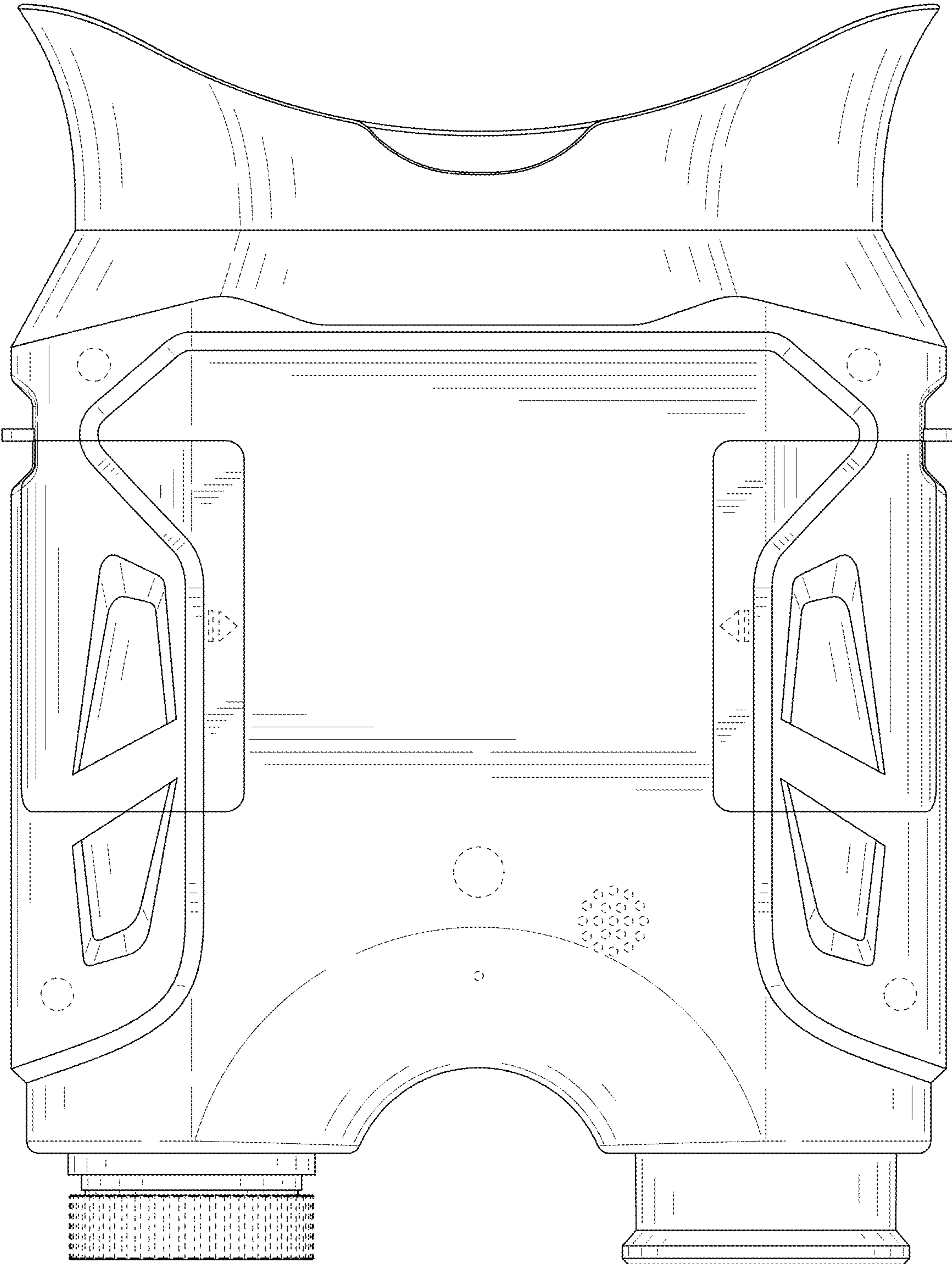


FIG. 8