



US00D954121S

(12) **United States Design Patent**
Ton

(10) **Patent No.:** **US D954,121 S**

(45) **Date of Patent:** **** Jun. 7, 2022**

(54) **LOUPE SET**

(71) Applicant: **Duong Ton**, Reno, NV (US)

(72) Inventor: **Duong Ton**, Reno, NV (US)

(**) Term: **15 Years**

(21) Appl. No.: **29/717,126**

(22) Filed: **Dec. 15, 2019**

(51) **LOC (13) Cl.** **16-99**

(52) **U.S. Cl.**
USPC **D16/130; D16/309**

(58) **Field of Classification Search**

USPC D10/70, 109.1, 109.2; D16/134, 130,
D16/131, 132, 133, 135, 136, 202-208,
D16/245, 219, 309; D24/120, 113, 118,
D24/119, 121, 122, 124, 125, 128
CPC ... G01C 3/00; G01C 3/02; G01C 3/04; G01C
3/06; G01C 3/08; G01C 3/085; G01C
3/10; G01C 3/12; G01C 3/16; G01C
3/18; G01C 3/20; G01C 3/22; G01C
3/24; G01C 3/26; G01C 3/28; G01C
3/30; G01C 3/32; B60Q 1/04; B60Q
1/26; F21S 8/026; F21S 8/04; F21V
29/004; F21V 21/02; F21V 21/04; F21V
29/2212; F21Y 2101/02; G02B 27/026;
G02B 23/16; G02B 2003/0093; G02B
3/04; H04J 11/00; H04J 13/00; E06B
9/24; G03B 17/02; C03B 2215/46; G02C
1/06; G02C 11/02; G02C 11/04; G02C
7/02; G02C 7/08; G02C 7/14

See application file for complete search history.

(56) **References Cited**

U.S. PATENT DOCUMENTS

2,389,428 A * 11/1945 Glasser G02B 7/002
351/158
D306,174 S * 2/1990 Rethore D16/135

D345,368 S * 3/1994 Clark D16/132
6,799,847 B2 * 10/2004 Caplan G02C 7/088
351/128
D592,691 S * 5/2009 Chang D16/309
D592,692 S * 5/2009 Chang D16/309
D592,693 S * 5/2009 Chang D16/309
D617,825 S * 6/2010 Chang D16/309
D703,254 S * 4/2014 Sakata G02B 23/18
D16/133
D746,354 S * 12/2015 Chang D16/309
9,465,235 B2 * 10/2016 Chang G02C 7/088
D788,209 S * 5/2017 Greene G02B 27/021
D16/309
D897,393 S * 9/2020 Eom D16/133
2010/0290115 A1 * 11/2010 Chang G02C 7/088
359/481

* cited by examiner

Primary Examiner — Richard Kearney

Assistant Examiner — Benjamin M Weeks

(74) *Attorney, Agent, or Firm* — Alexander Chen, Esq.

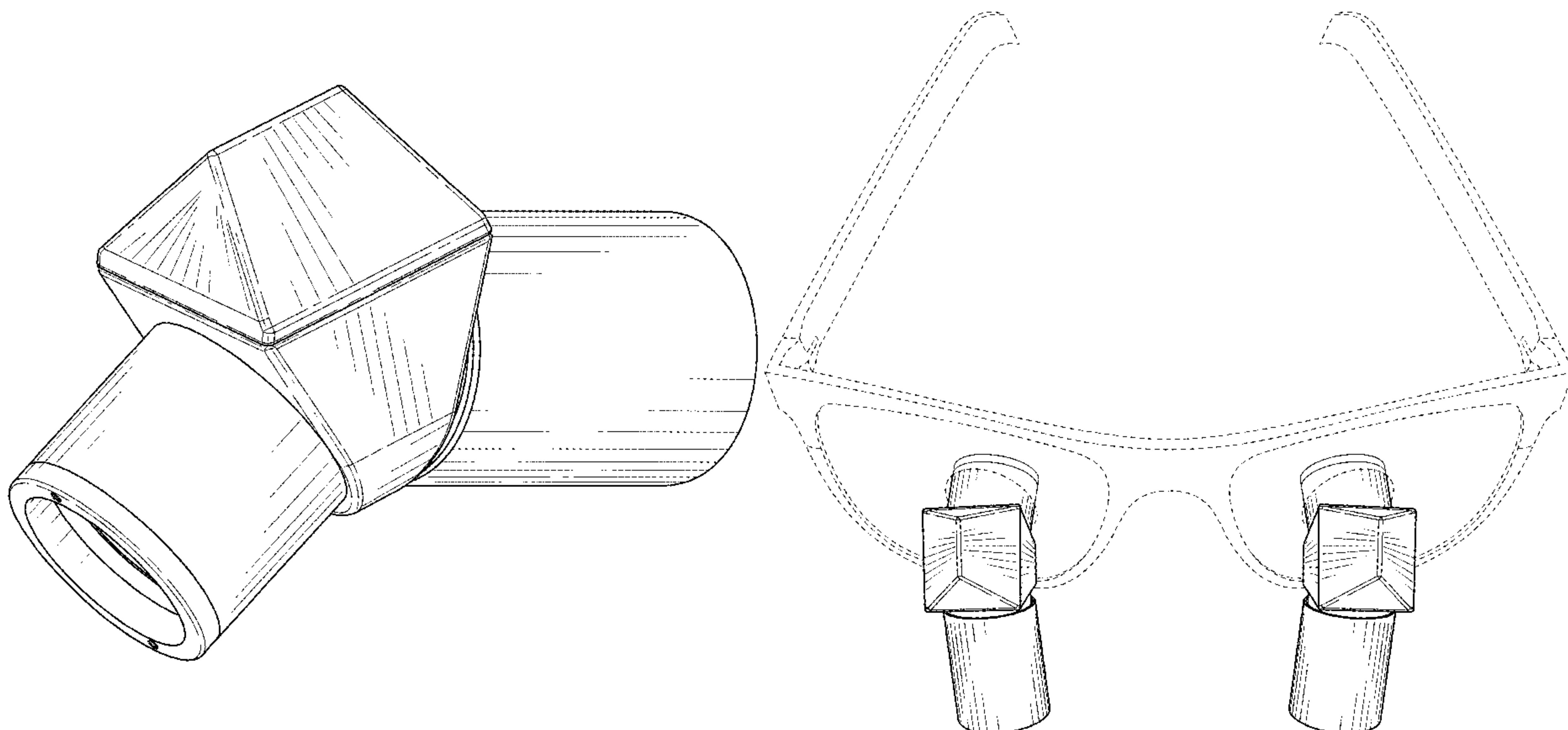
(57) **CLAIM**

The ornamental design for a loupe set, as shown and described.

DESCRIPTION

FIG. 1 is a top perspective view of the left side of a loupe set showing my new design;
FIG. 2 is a bottom perspective view thereof;
FIG. 3 is a left side view thereof;
FIG. 4 is a right side view thereof;
FIG. 5 is a front side view thereof;
FIG. 6 is a back side view thereof;
FIG. 7 is a top side view thereof;
FIG. 8 is a bottom side view thereof; and,
FIG. 9 is a perspective view of loupe set showing both the left and right loupes in an environment of use.
The broken lines are included to show environmental structure and form no part of the claimed design.

1 Claim, 7 Drawing Sheets



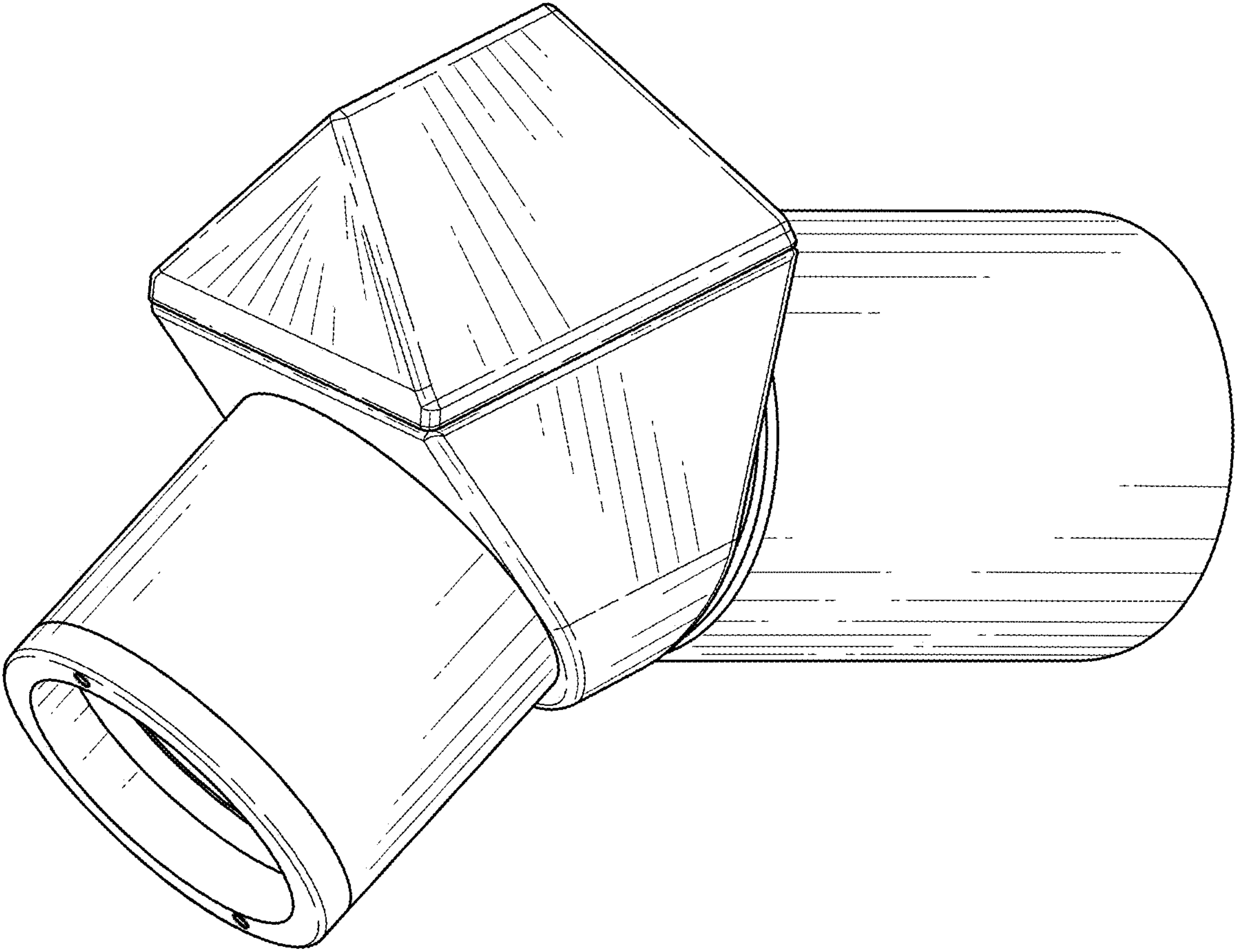


FIG. 1

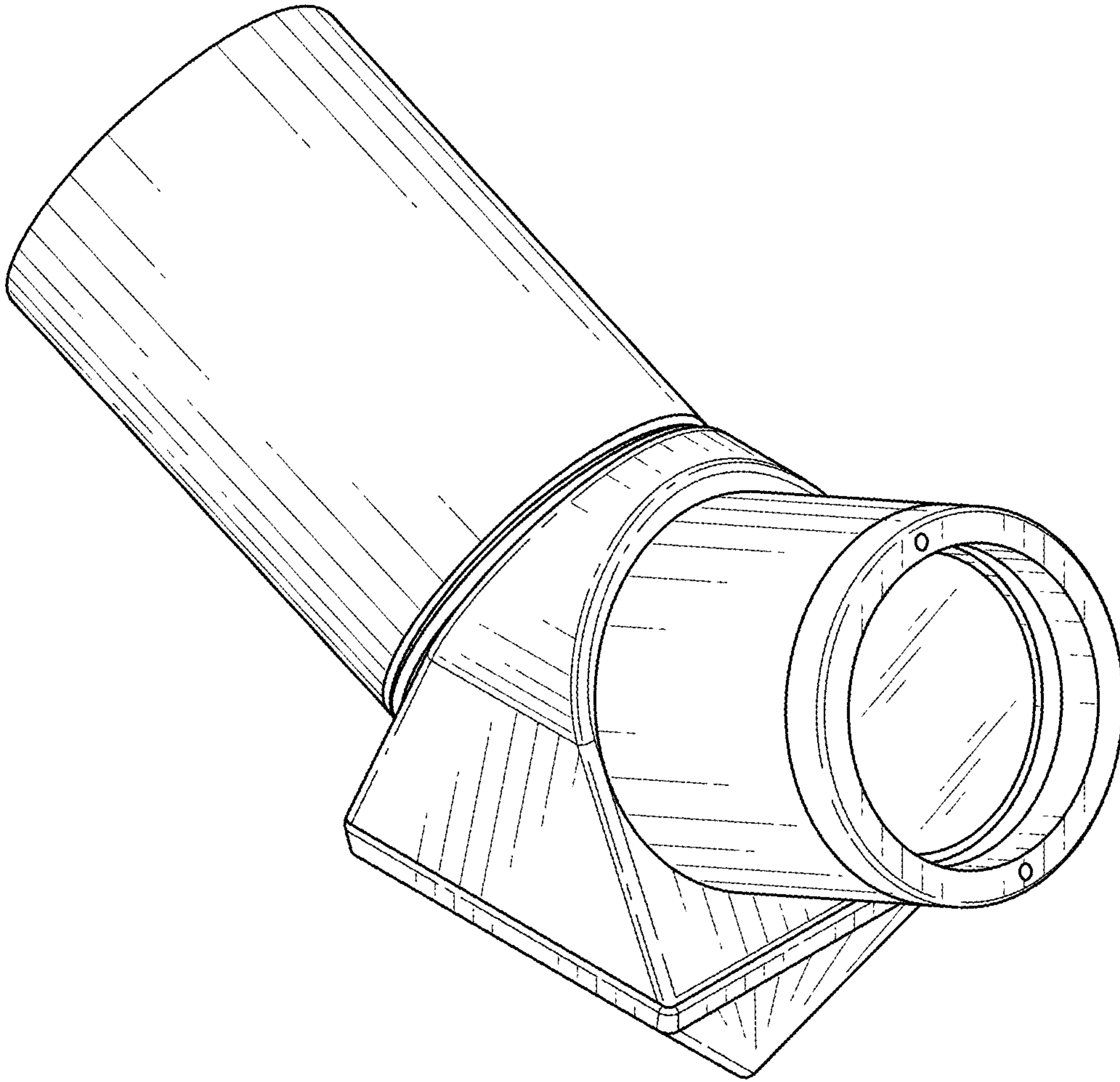


FIG. 2

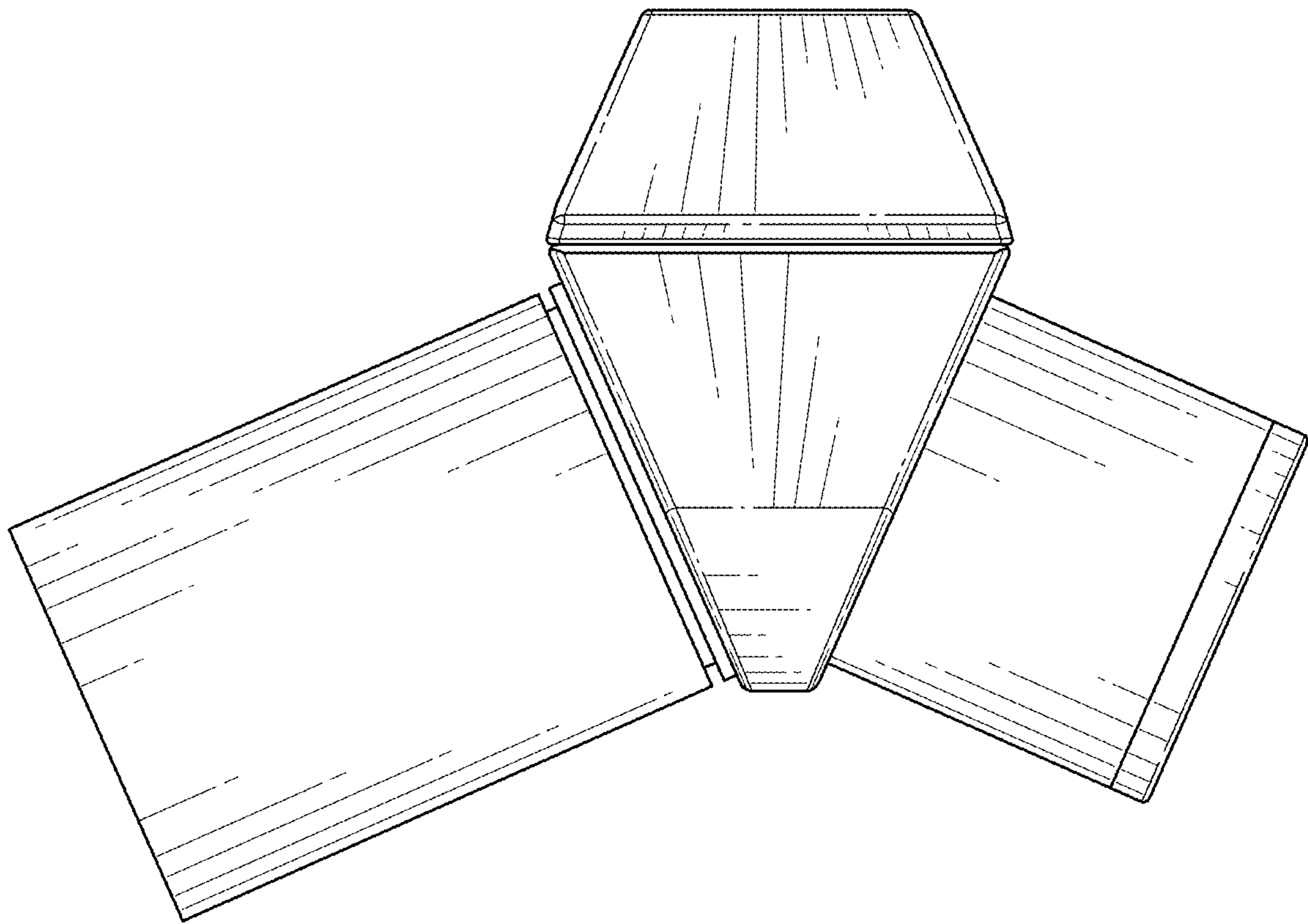


FIG. 3

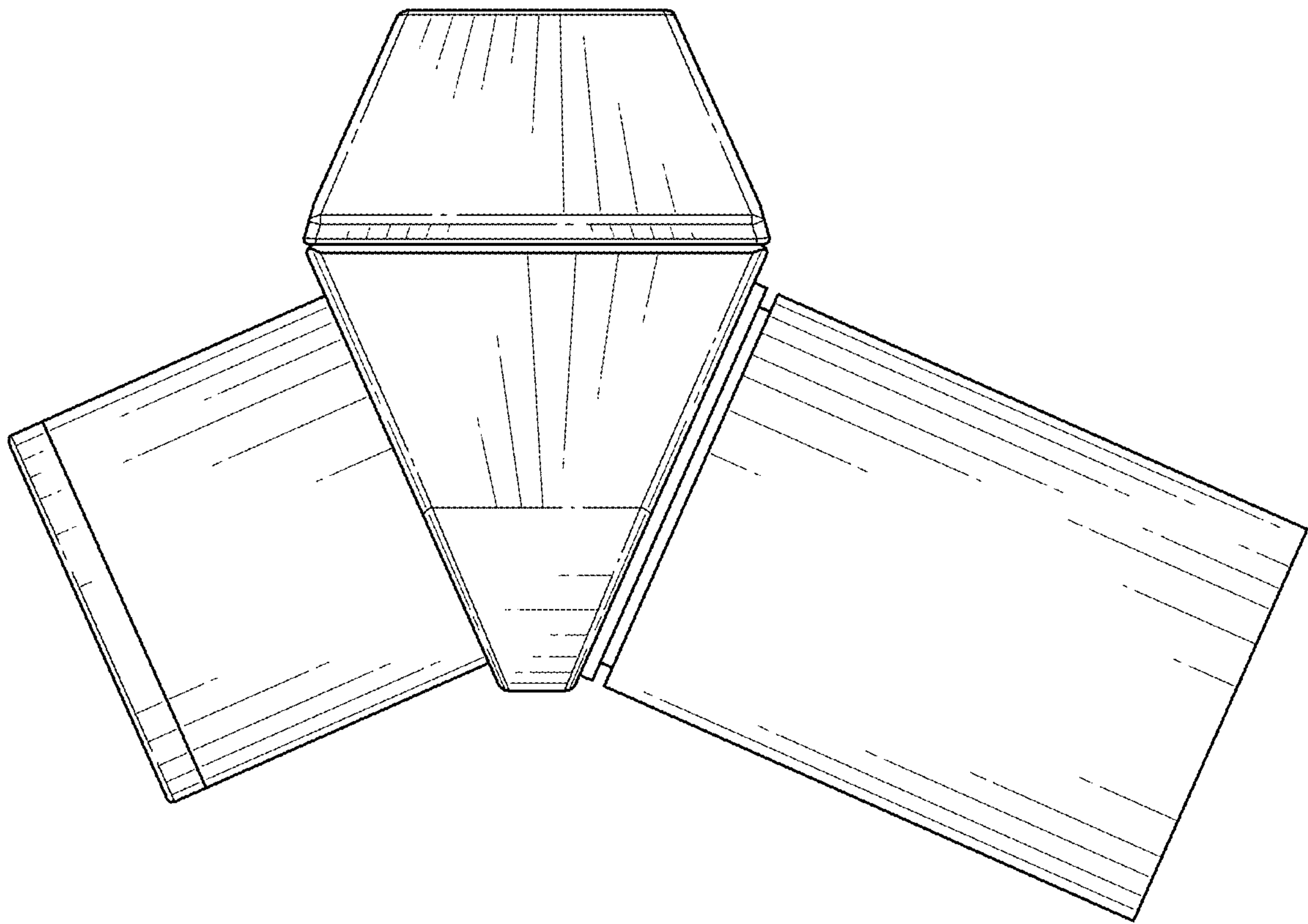


FIG. 4

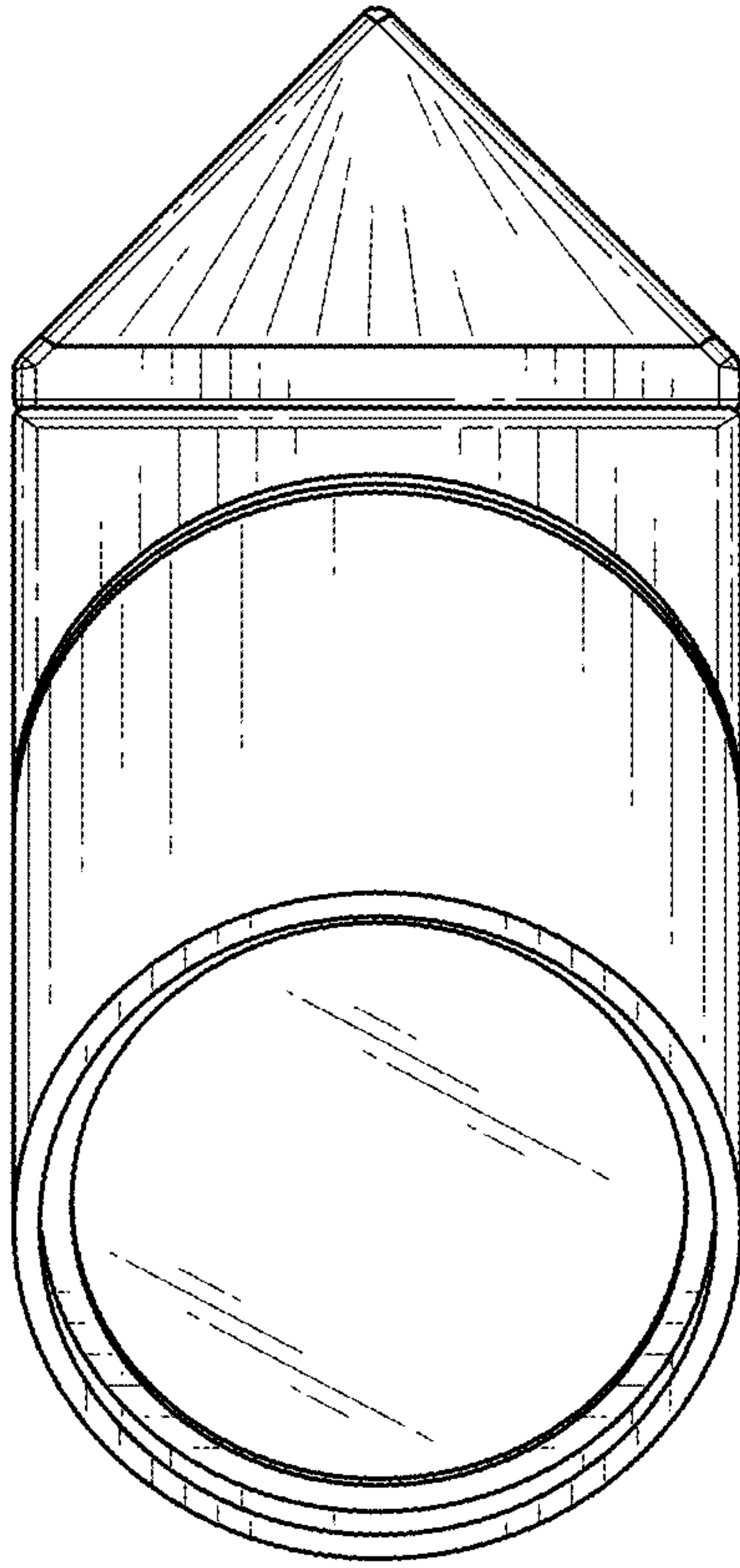


FIG. 5

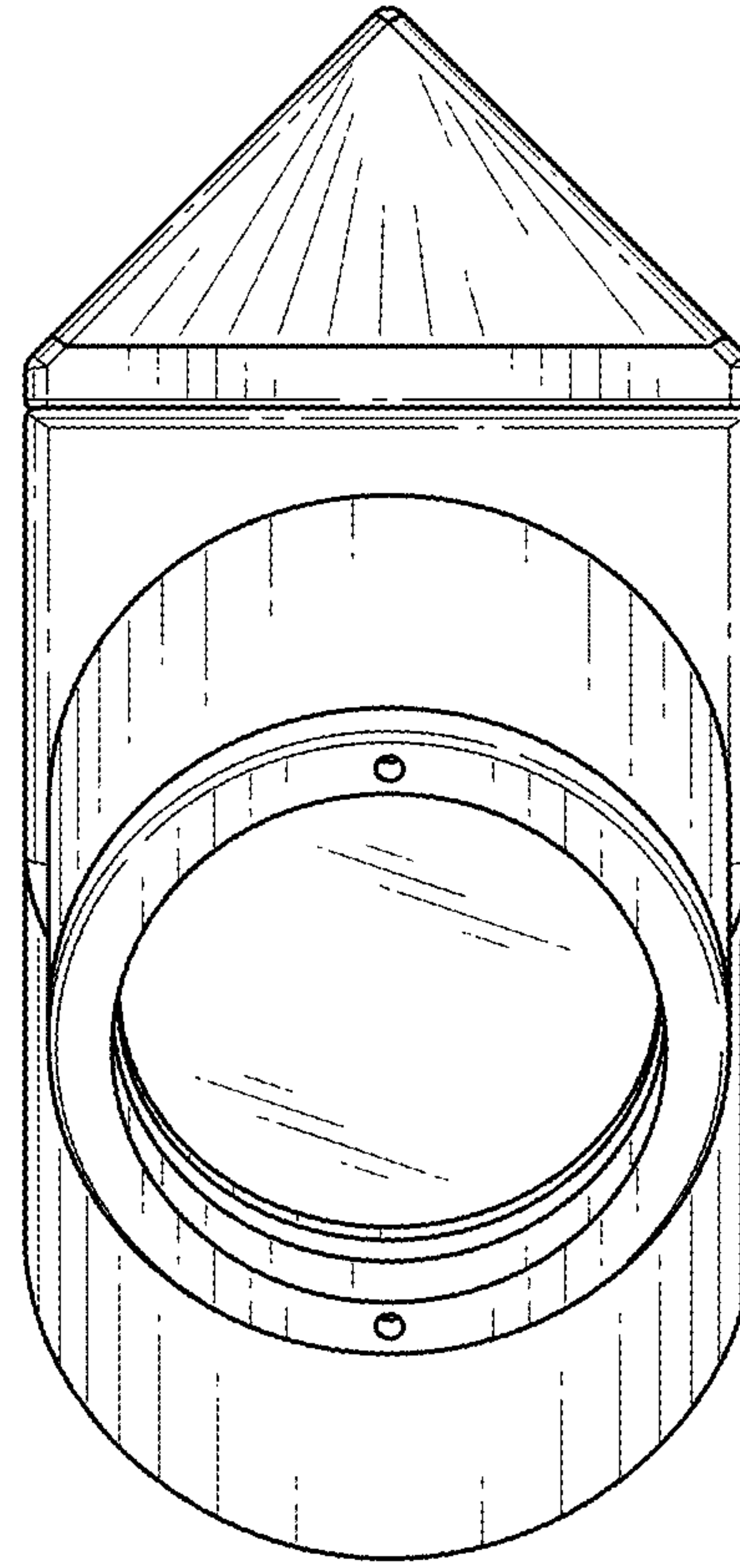


FIG. 6

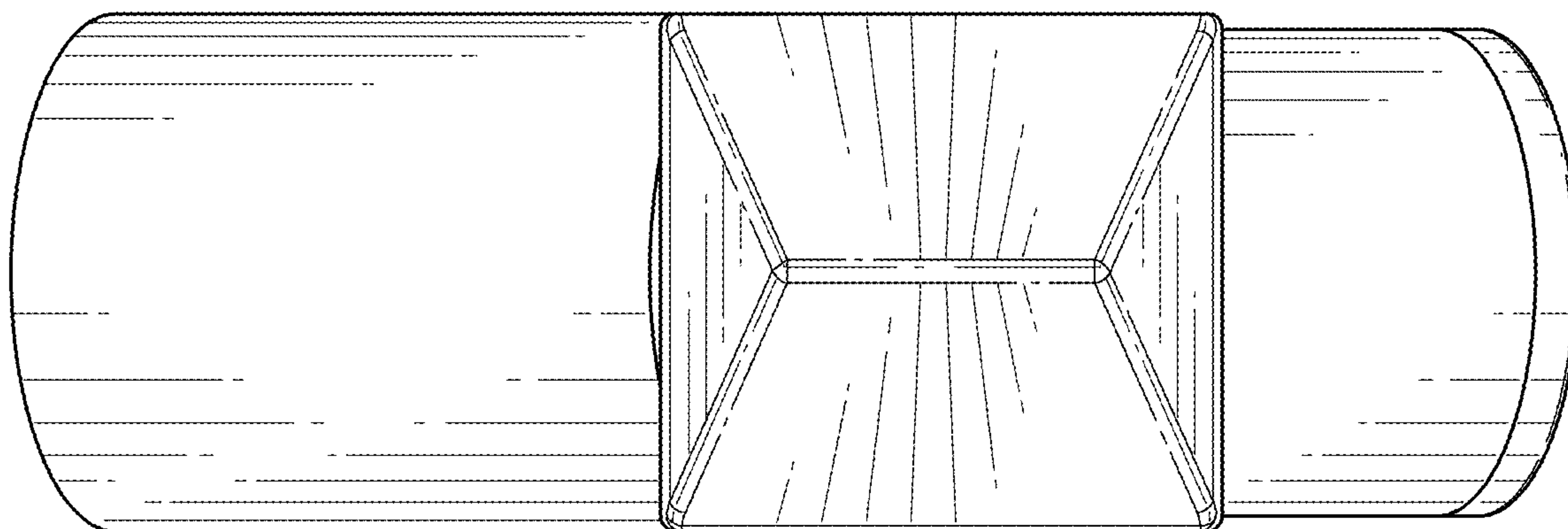


FIG. 7

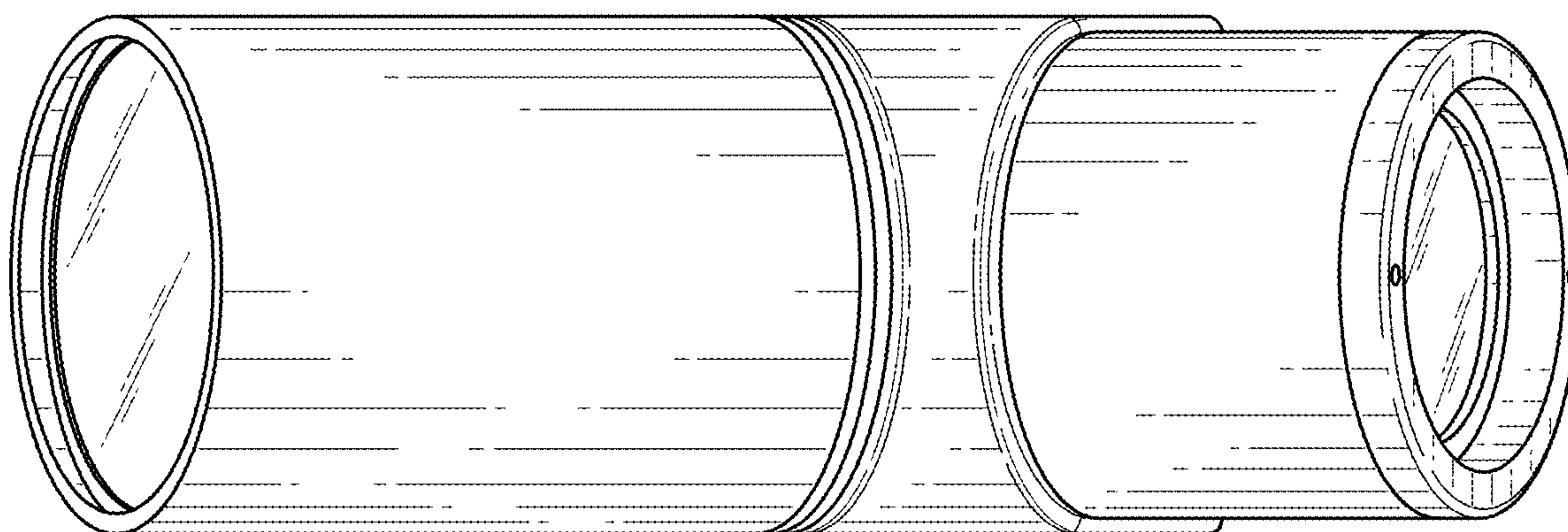


FIG. 8

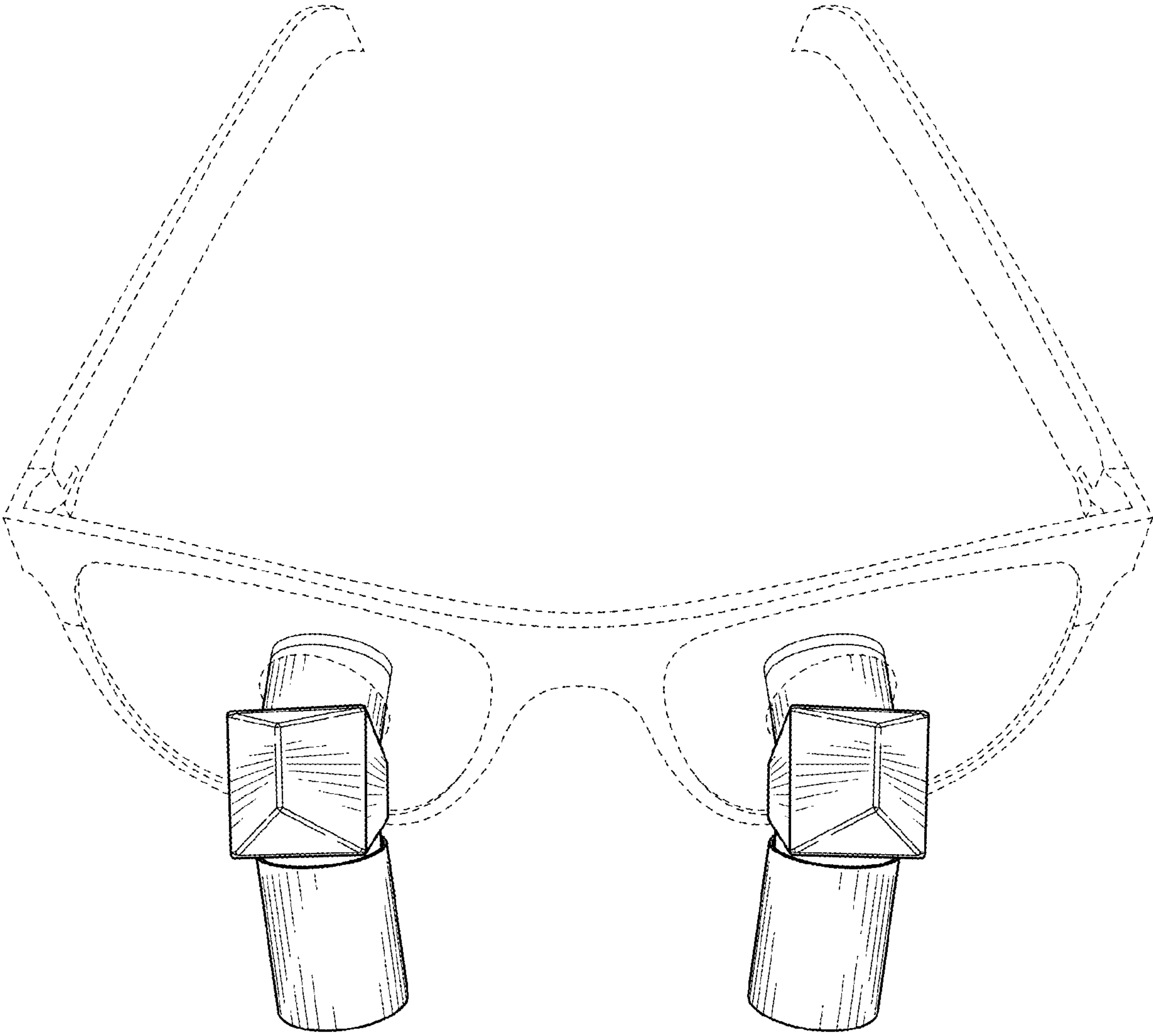


FIG. 9