



US00D954120S

(12) **United States Design Patent**
Zheng et al.

(10) **Patent No.:** **US D954,120 S**
(45) **Date of Patent:** **** Jun. 7, 2022**

- (54) **ROBOT**
- (71) Applicant: **UBTECH ROBOTICS CORP LTD,**
Shenzhen (CN)
- (72) Inventors: **Chengxuan Zheng,** Shenzhen (CN);
Dan Wu, Shenzhen (CN); **Defu Liu,**
Shenzhen (CN)
- (73) Assignee: **UBTECH ROBOTICS CORP LTD,**
Shenzhen (CN)
- (**) Term: **15 Years**
- (21) Appl. No.: **29/774,275**
- (22) Filed: **Mar. 16, 2021**
- (51) **LOC (13) Cl.** **15-99**
- (52) **U.S. Cl.**
USPC **D15/199**
- (58) **Field of Classification Search**
USPC D15/199; D21/578-583, 621, 622;
D32/21; D34/34
CPC B25J 5/007; B25J 11/008; B60B 19/006;
B62D 57/024; Y10S 901/01
See application file for complete search history.

D855,673 S *	8/2019	Sutherland	D15/199
D857,073 S *	8/2019	Gayne	D15/199
D859,485 S *	9/2019	Sutherland	D15/199
D872,788 S *	1/2020	Sutherland	D15/199
D877,786 S *	3/2020	Gayne	D15/199
D884,043 S *	5/2020	Song	D15/199
D908,151 S *	1/2021	Song	D15/199
D913,349 S *	3/2021	Yao	D15/199
D915,486 S *	4/2021	Gidwell	D15/199
D917,591 S *	4/2021	Xiao	D15/199
D919,687 S *	5/2021	Song	D15/199
D920,411 S *	5/2021	Zheng	B25J 9/1676
D921,080 S *	6/2021	Chen	D15/199
D937,920 S *	12/2021	Gidwell	D15/199

* cited by examiner

Primary Examiner — Patricia A Palasik

(57) **CLAIM**

The ornamental design for a robot, as shown and described.

DESCRIPTION

FIG. 1 is a first perspective view of a robot showing the claimed design in accordance with the present disclosure; FIG. 2 is a second perspective view thereof; FIG. 3 is a front elevational view thereof; FIG. 4 is a rear elevational view thereof; FIG. 5 is a left side elevational view thereof; FIG. 6 is a right side elevational view thereof; FIG. 7 is a top plan view thereof; FIG. 8 is a bottom plan view thereof; and, FIG. 9 is an enlarged view of an encircle portion 9 in FIG. 2.

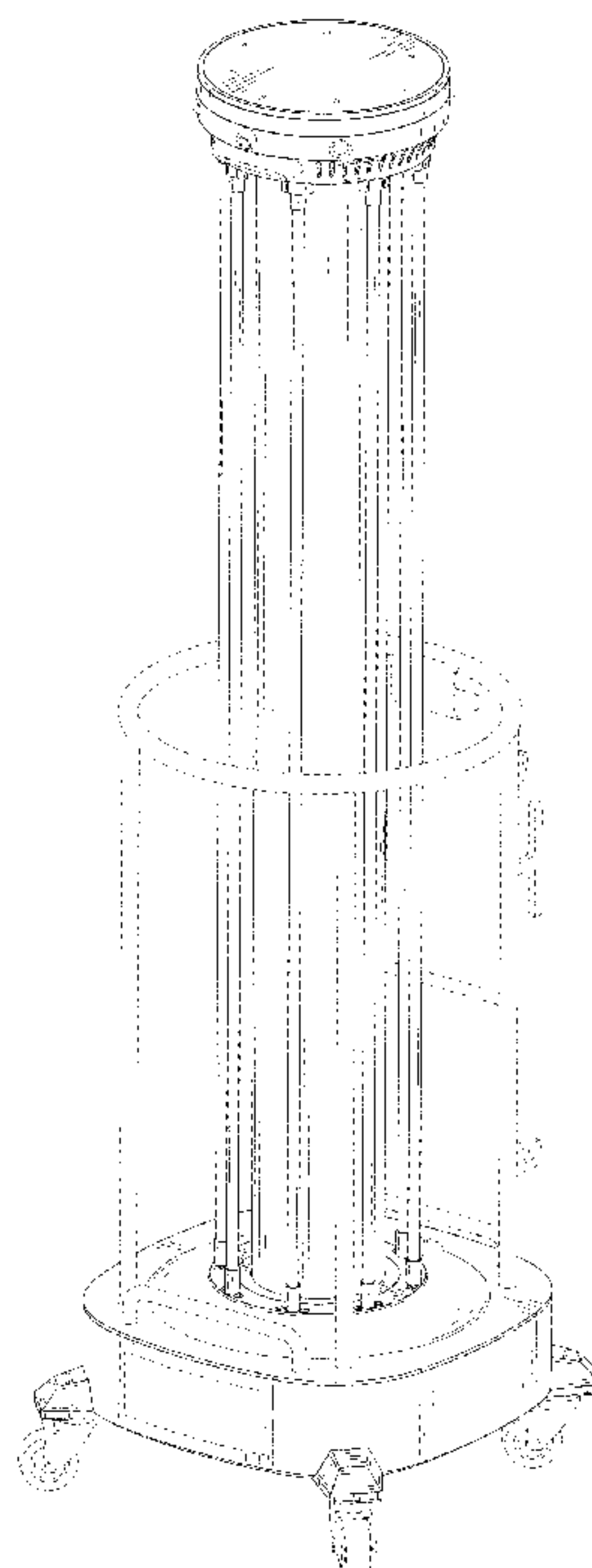
The broken lines in the Figures are for the purpose of illustrating portions of the article that form no part of the claimed design.

1 Claim, 9 Drawing Sheets

(56) **References Cited**

U.S. PATENT DOCUMENTS

D675,656 S *	2/2013	Sutherland	D15/199
D735,258 S *	7/2015	Jang	D15/199
9,174,342 B2 *	11/2015	Pinter	B25J 9/1676
9,776,327 B2 *	10/2017	Pinter	B25J 9/1676
D811,458 S *	2/2018	Wang	D15/199
D817,375 S *	5/2018	Deyle	D15/199
D841,067 S *	2/2019	Camporesi	D15/199
D849,813 S *	5/2019	Sutherland	D15/199



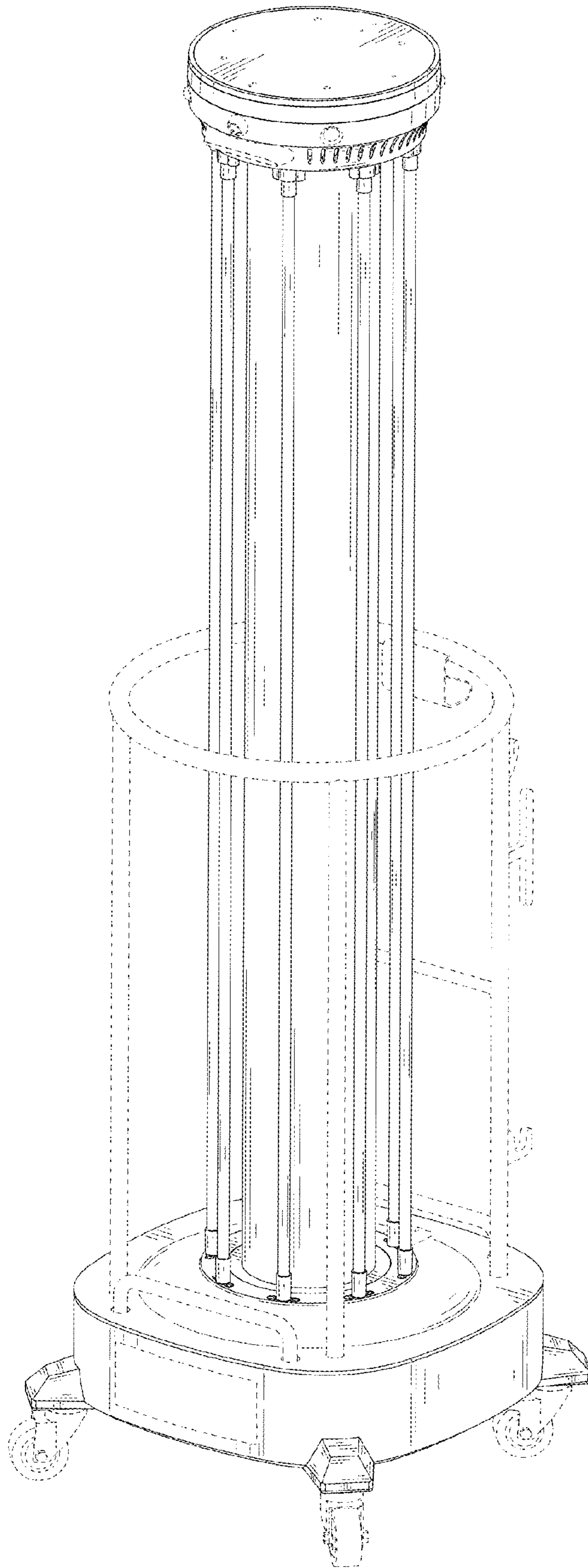


FIG. 1

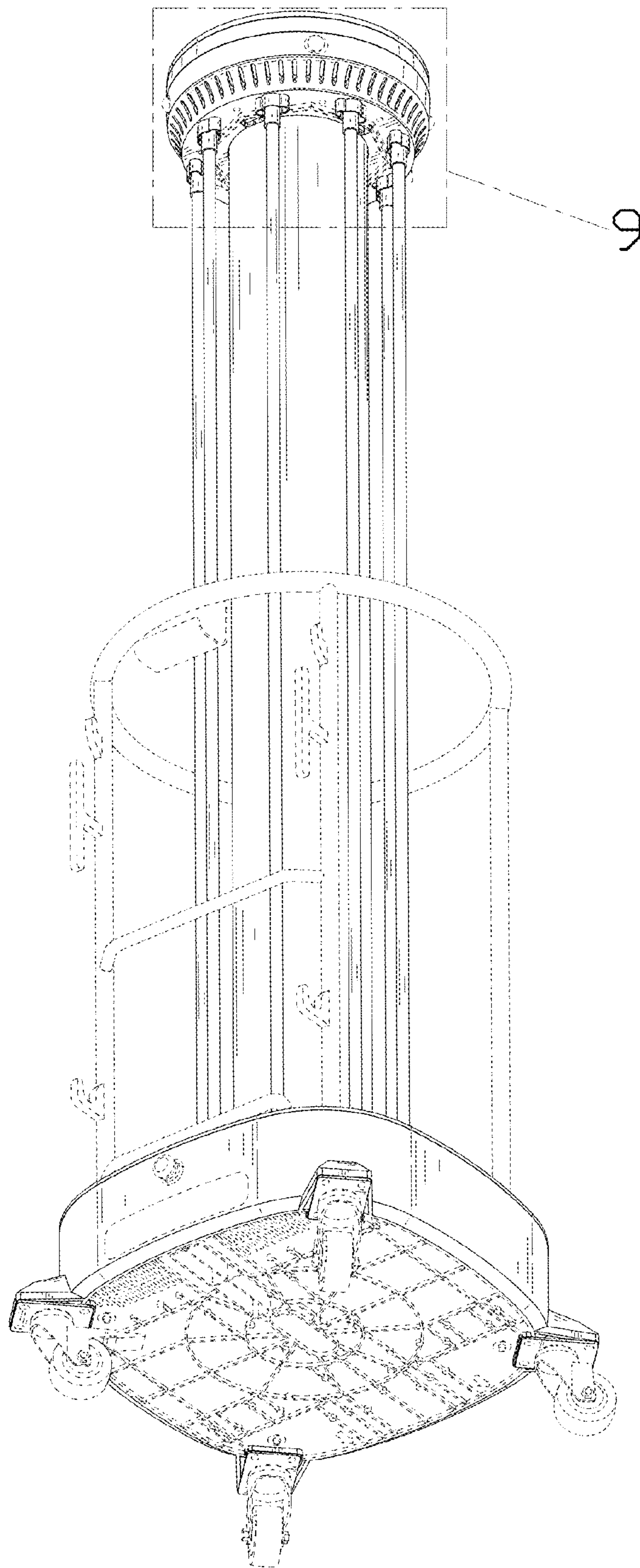


FIG. 2

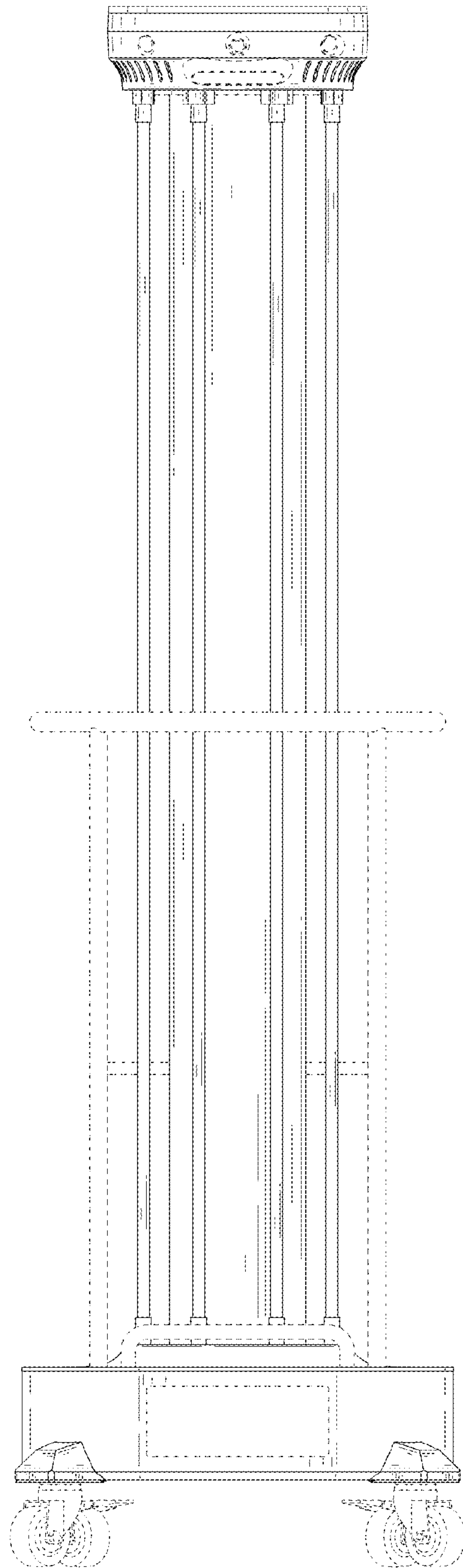


FIG. 3

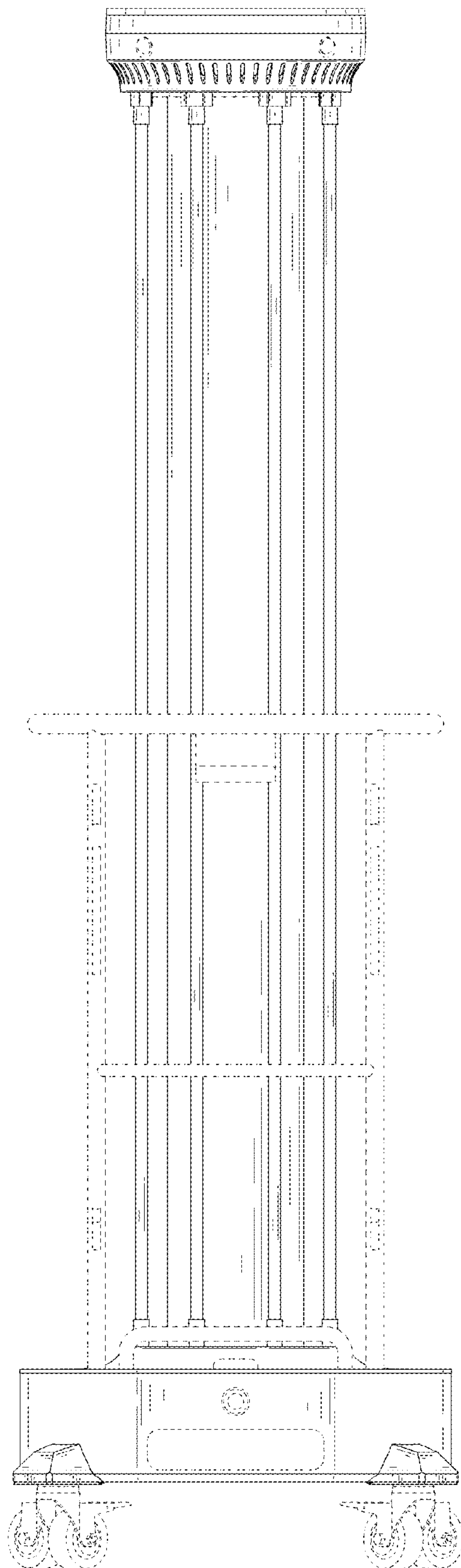


FIG. 4

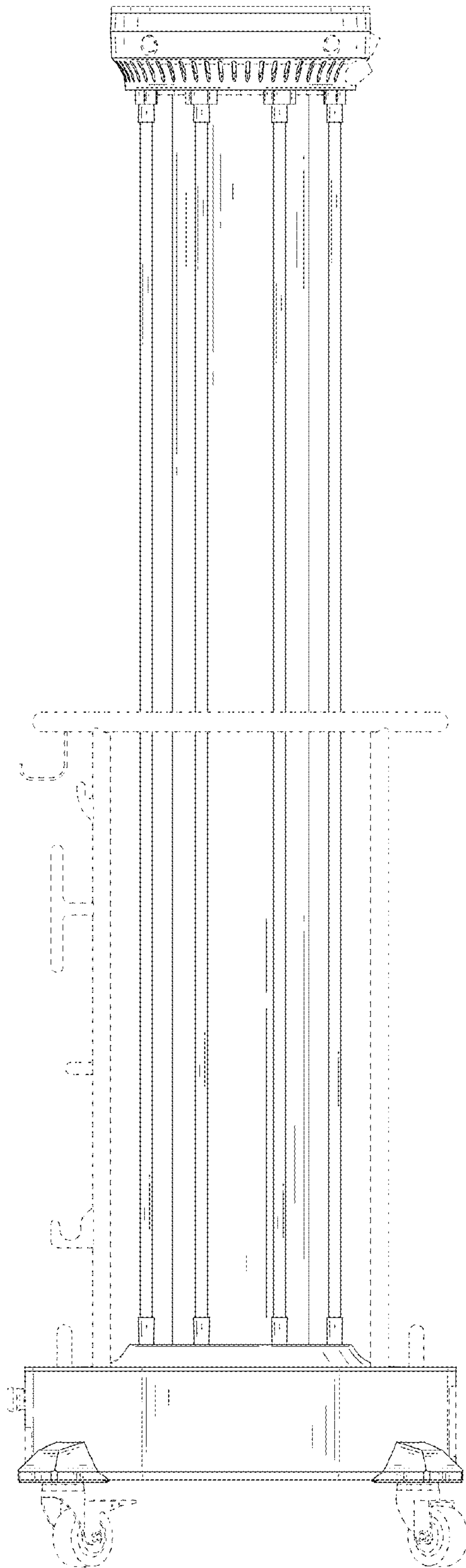


FIG. 5

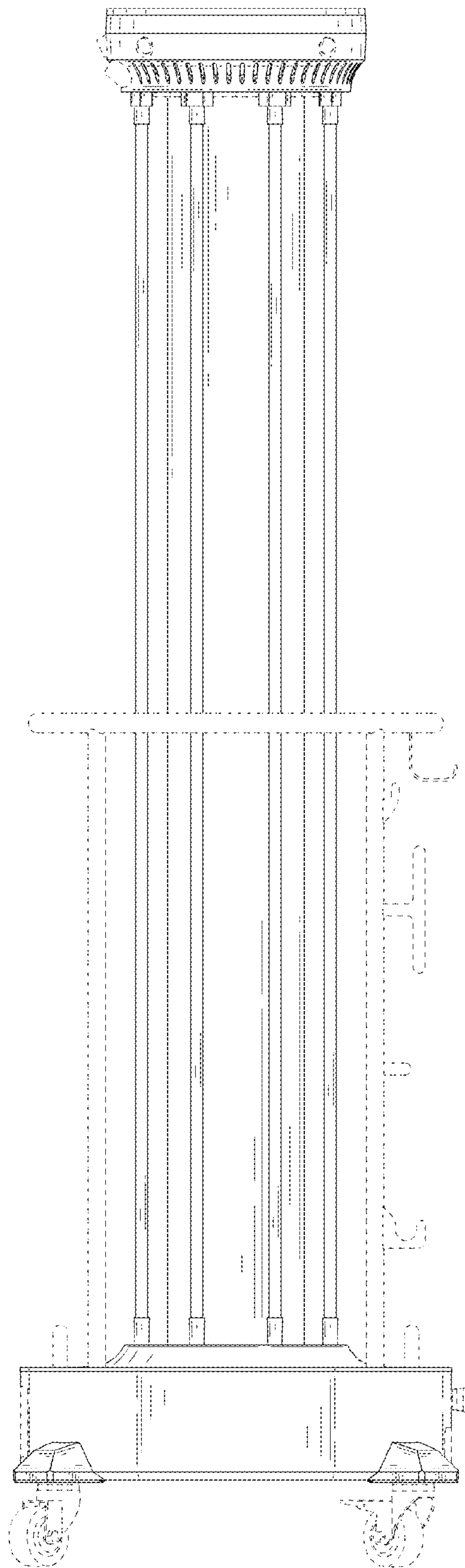


FIG. 6

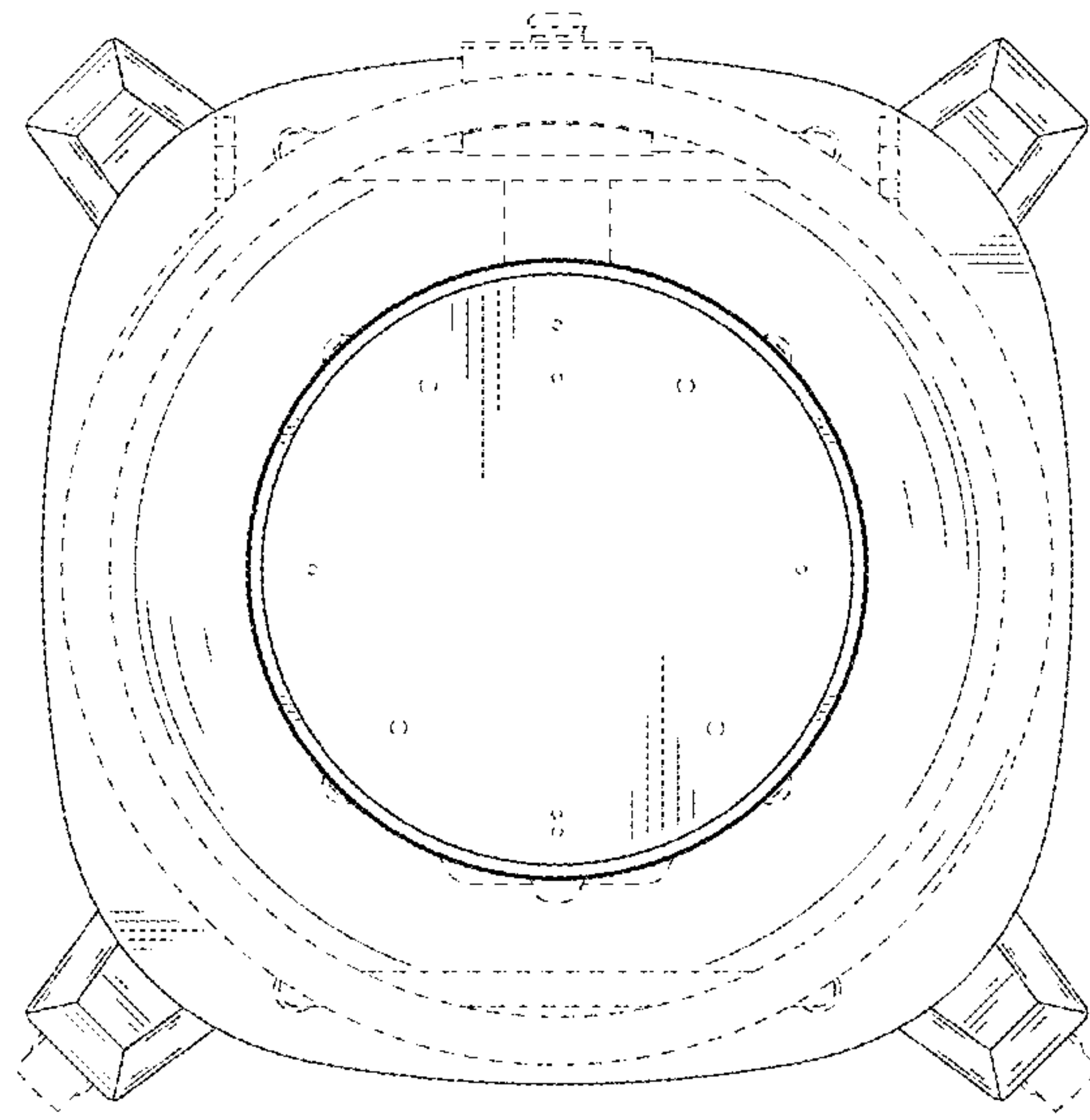


FIG. 7

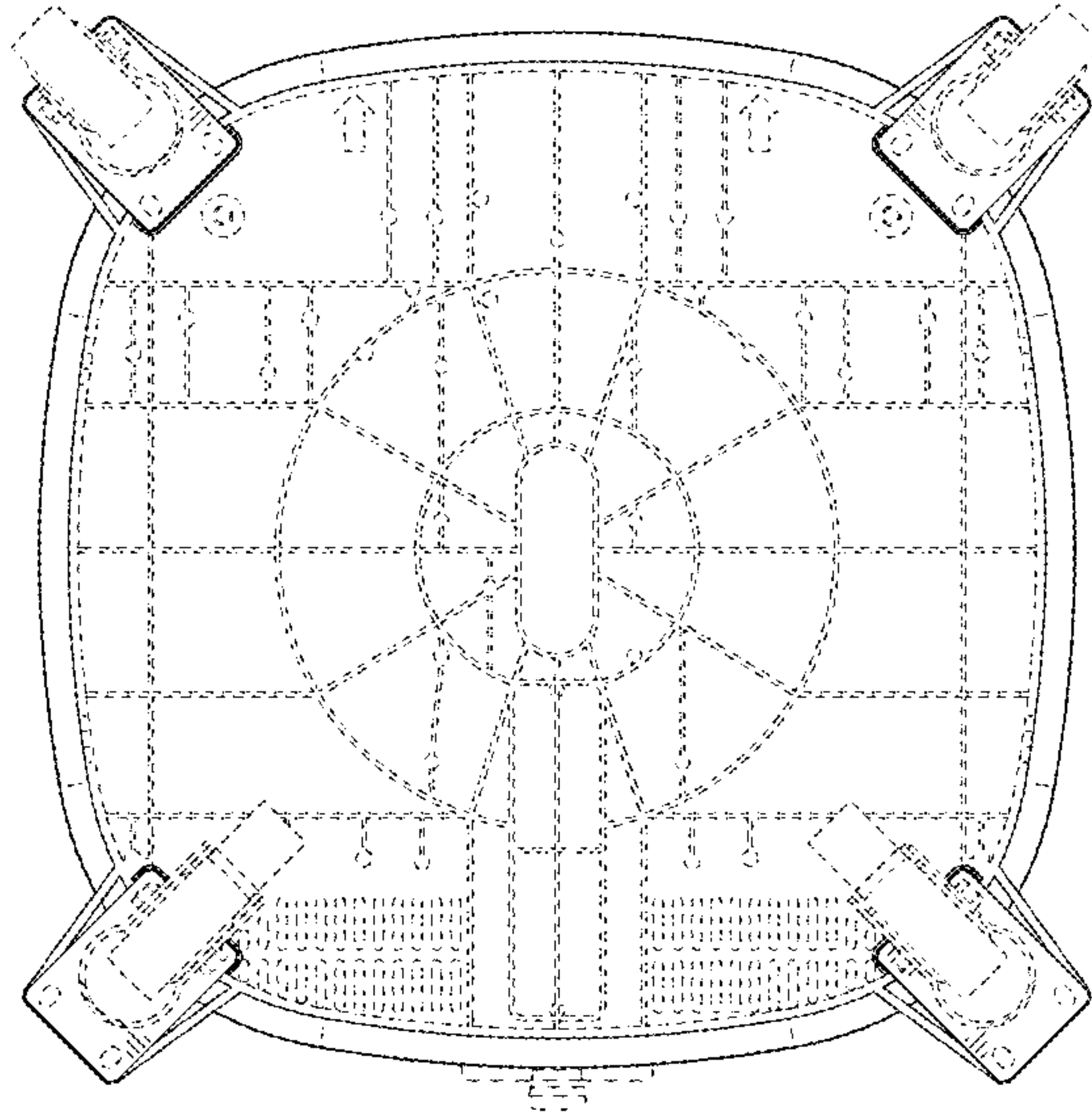


FIG. 8

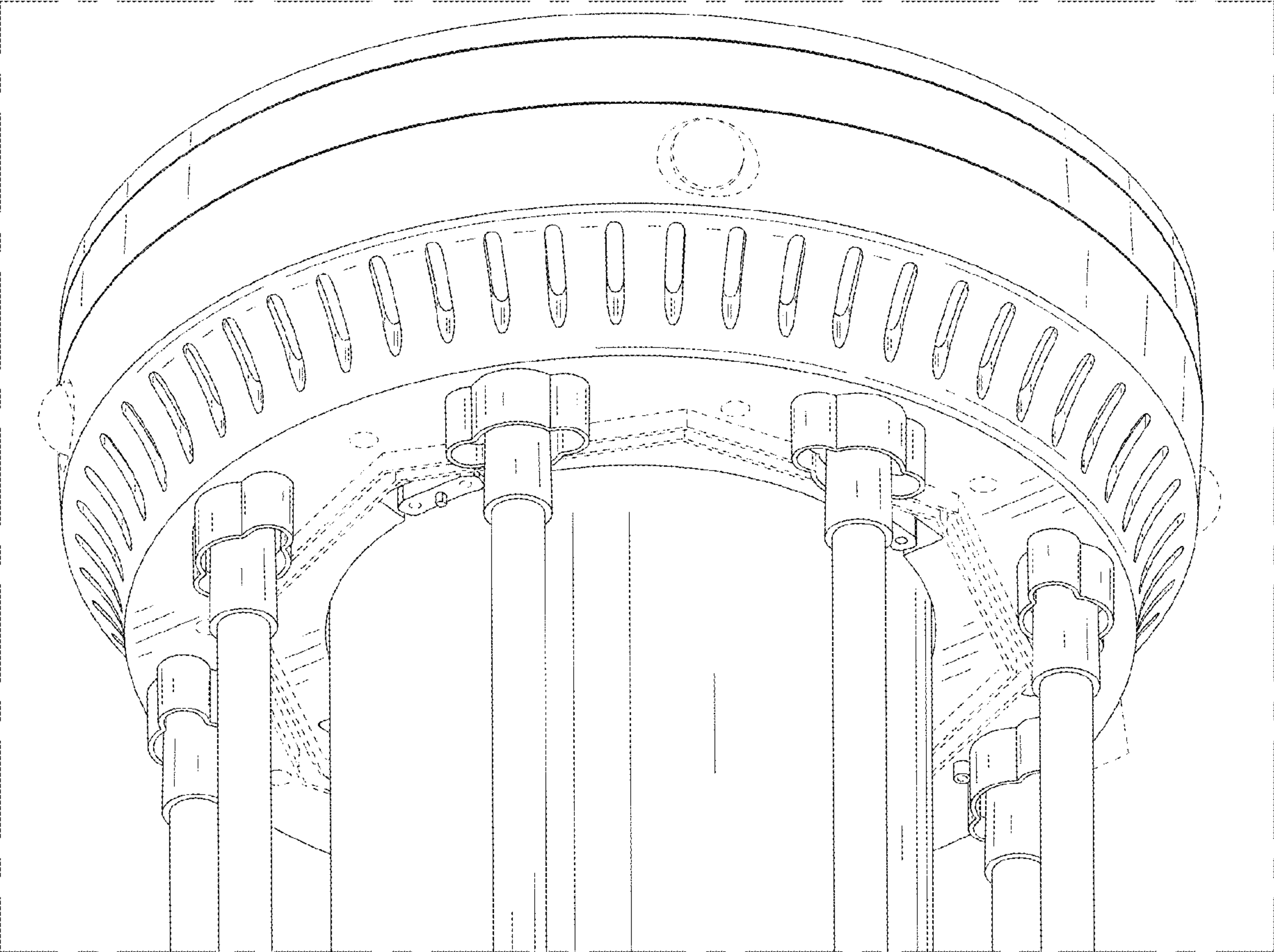


FIG. 9