



US00D954119S

(12) **United States Design Patent**
Kemmerich

(10) **Patent No.:** **US D954,119 S**
(45) **Date of Patent:** **** Jun. 7, 2022**

(54) **PATIENT LIFT ROBOT**

- (71) Applicant: **PTR Robots, ApS**, Odense SØ (DJ)
- (72) Inventor: **Gustavo Urruth Kemmerich**, Odense (DK)
- (73) Assignee: **PTR Robots ApS**, Odense (DK)
- (**) Term: **15 Years**
- (21) Appl. No.: **29/738,269**
- (22) Filed: **Jun. 16, 2020**
- (51) **LOC (13) Cl.** **15-99**
- (52) **U.S. Cl.**
USPC **D15/199**
- (58) **Field of Classification Search**
USPC D15/199; D24/158
(Continued)

(56) **References Cited**

U.S. PATENT DOCUMENTS

- 5,653,571 A * 8/1997 Lizenby B21D 43/18
414/749.1
- 6,786,896 B1 * 9/2004 Madhani B25J 9/1615
606/1

(Continued)

FOREIGN PATENT DOCUMENTS

- DE 9404944 U1 7/1994

OTHER PUBLICATIONS

International Search Report and Written Opinion for App. No. PCT/IB2021/057768, dated Jan. 31, 2022, 17 pages.

(Continued)

Primary Examiner — Patricia A Palasik

(74) *Attorney, Agent, or Firm* — Donald Lecher; Butzel Long, PC

(57) **CLAIM**

The ornamental design for a patient lift robot, as shown and described.

DESCRIPTION

FIG. 1 shows a front elevation view of a first condition of use of the patient lift robot of our new design, the first condition of use showing each of the oppositely disposed vertical towers and upper horizontal beam members in retracted positions;

FIG. 2 shows a right-side elevation view of the first condition of use of the patient lift robot of our new design;

FIG. 3 shows a rear elevation view of the first condition of use of the patient lift robot of our new design, opposite that of FIG. 1;

FIG. 4 shows a left-side elevation view of the first condition of use of the patient lift robot of our new design, opposite that of FIG. 2;

FIG. 5 shows a top plan view of the first condition of use of the patient lift robot of our new design;

FIG. 6 shows a bottom plan view of the first condition of use of the patient lift robot of our new design, opposite that of FIG. 5;

FIG. 7 shows a top left-side front perspective view of the first condition of use of the patient lift robot of our new design;

FIG. 8 shows a top right-side front perspective view of the first condition of use of the patient lift robot of our new design;

FIG. 9 shows a top right-side rear perspective view of the first condition of use of the patient lift robot of our new design;

FIG. 10 shows a top left-side rear perspective view of the first condition of use of the patient lift robot of our new design;

FIG. 11 shows a bottom left-side front perspective view of the first condition of use of the patient lift robot of our new design, opposite that of FIG. 9;

FIG. 12 shows a bottom right-side front perspective view of the first condition of use of the patient lift robot of our new design, opposite that of FIG. 10;

(Continued)

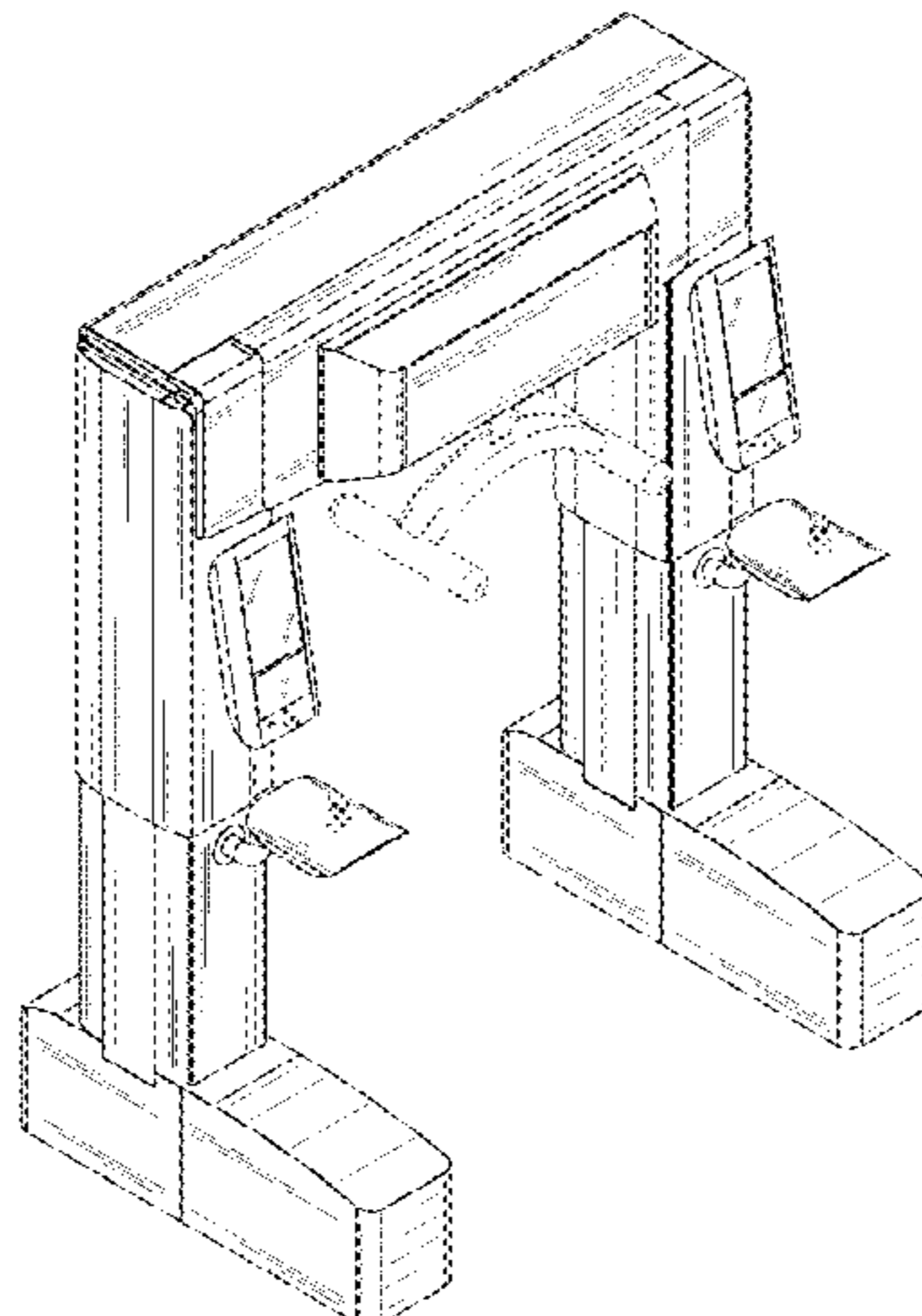


FIG. 13 shows a bottom right-side rear perspective view of the first condition of use of the patient lift robot of our new design, opposite that of FIG. 7;

FIG. 14 shows a bottom left-side rear perspective view of the first condition of use of the patient lift robot of our new design, opposite that of FIG. 8;

FIG. 15 shows a front elevation view of an alternate condition of use of the patient lift robot of our new design, the alternate condition of use showing each of the oppositely disposed vertical towers and the upper horizontal beam members in extended positions;

FIG. 16 shows a right-side elevation view of the alternate condition of use of the patient lift robot of our new design

FIG. 17 shows a rear elevation view of the alternate condition of use of the patient lift robot of our new design, opposite that of FIG. 15;

FIG. 18 shows a left-side elevation view of the alternate condition of use of the patient lift robot of our new design, opposite that of FIG. 16;

FIG. 19 shows a top plan view of the alternate condition of use of the patient lift robot of our new design;

FIG. 20 shows a bottom plan view of the alternate condition of use of the patient lift robot of our new design, opposite that of FIG. 19;

FIG. 21 shows a top left-side front perspective view of the alternate condition of use of the patient lift robot of our new design;

FIG. 22 shows a top right-side front perspective view of the alternate condition of use of the patient lift robot of our new design;

FIG. 23 shows a top right-side rear perspective view of the alternate condition of use of the patient lift robot of our new design;

FIG. 24 shows a top left-side rear perspective view of the alternate condition of use of the patient lift robot of our new design;

FIG. 25 shows a bottom left-side front perspective view of the alternate condition of use of the patient lift robot of our new design, opposite that of FIG. 23;

FIG. 26 shows a bottom right-side front perspective view of the alternate condition of use of the patient lift robot of our new design, opposite that of FIG. 24;

FIG. 27 shows a bottom right-side rear perspective view of the alternate condition of use of the patient lift robot of our new design, opposite that of FIG. 21; and,

FIG. 28 shows a bottom left-side rear perspective view of the alternate condition of use of the patient lift robot of our new design, opposite that of FIG. 22.

The broken or evenly-dashed lines are included to show structure of the patient lift robot that form no part of the claimed design.

1 Claim, 28 Drawing Sheets

(58) **Field of Classification Search**

CPC .. A61G 7/1057; A61G 7/1048; A61G 7/1046;
A61G 7/1032; A61G 7/1017; A61G
7/1019; A61G 2200/32

See application file for complete search history.

(56) **References Cited**

U.S. PATENT DOCUMENTS

D767,139	S *	9/2016	Liu	D24/158
D767,765	S *	9/2016	Lin	D24/158
D822,736	S *	7/2018	Kato	D15/199
D822,738	S *	7/2018	Kato	D15/199
D868,865	S *	12/2019	Bogart	D15/199
2001/0029627	A1 *	10/2001	Von Schroeter	A61G 7/1067 5/86.1
2002/0002740	A1 *	1/2002	Schroeter	A61G 7/1061 5/86.1
2002/0038477	A1 *	4/2002	Mowery	A61G 7/1019 5/86.1
2003/0011228	A1 *	1/2003	Komura	A61G 7/1019 297/344.12
2008/0066228	A1 *	3/2008	Kume	A61G 7/1032 5/81.1 C
2011/0147103	A1 *	6/2011	Alfayad	B62D 57/032 180/8.5
2012/0159706	A1	6/2012	Capaldi	
2014/0097306	A1 *	4/2014	Hale	F16M 11/041 248/122.1
2020/0038273	A1	2/2020	Rubaek	

OTHER PUBLICATIONS

International Search Report and Written Opinion for App. No. PCT/IB2021/057768, dated Dec. 9, 2021, 13 pages.

* cited by examiner

FIG. 1

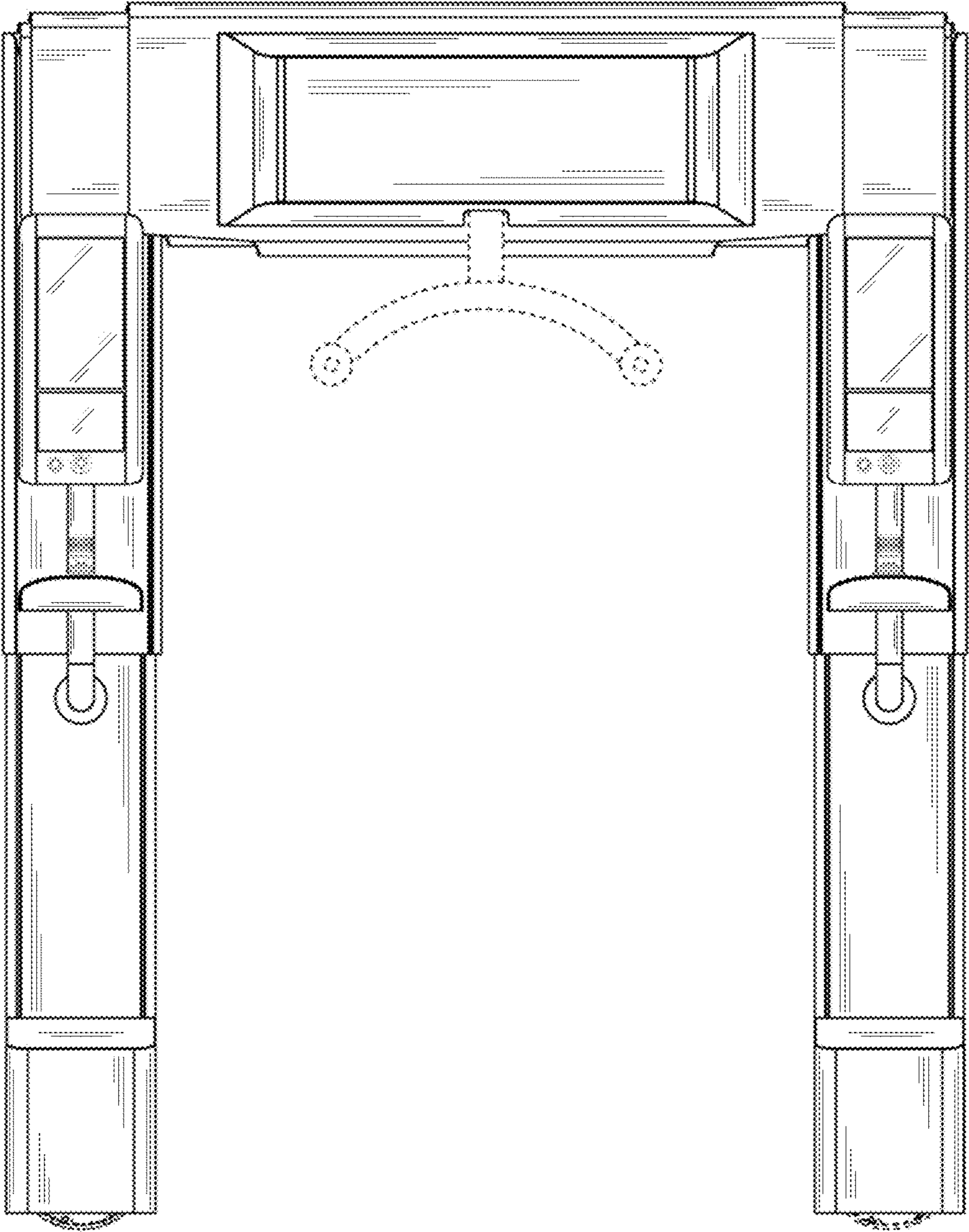


FIG. 2

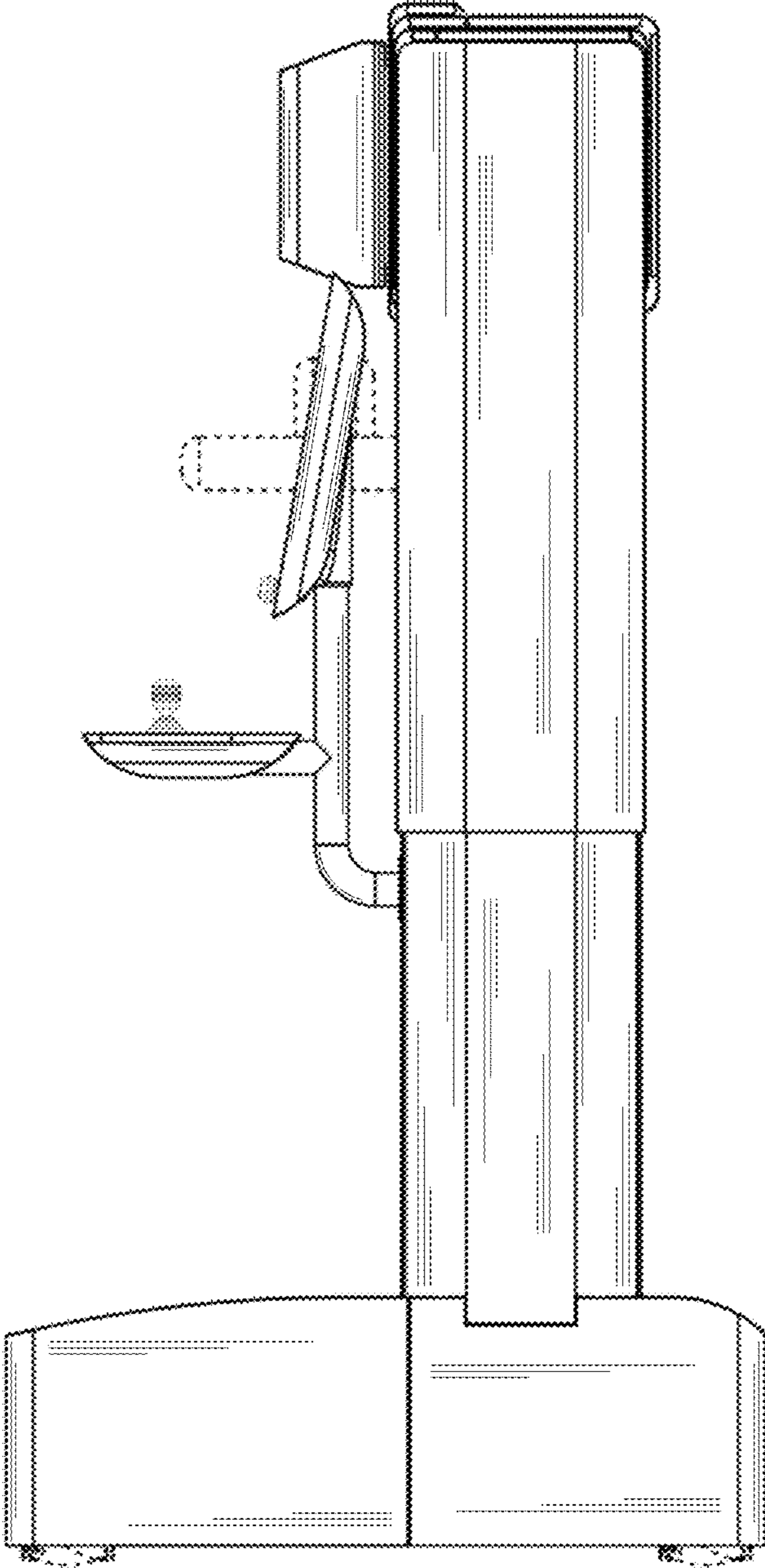


FIG. 3

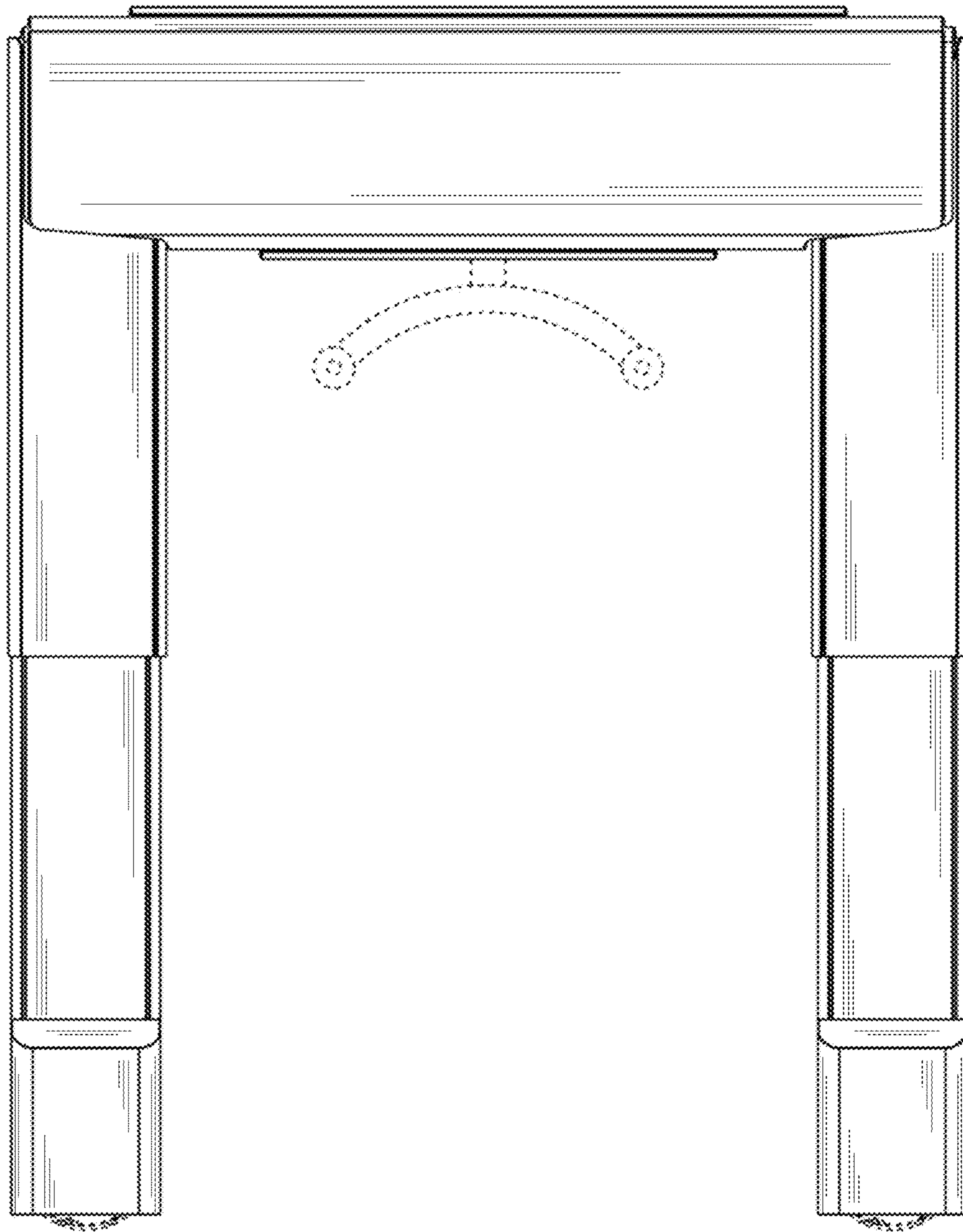


FIG. 4

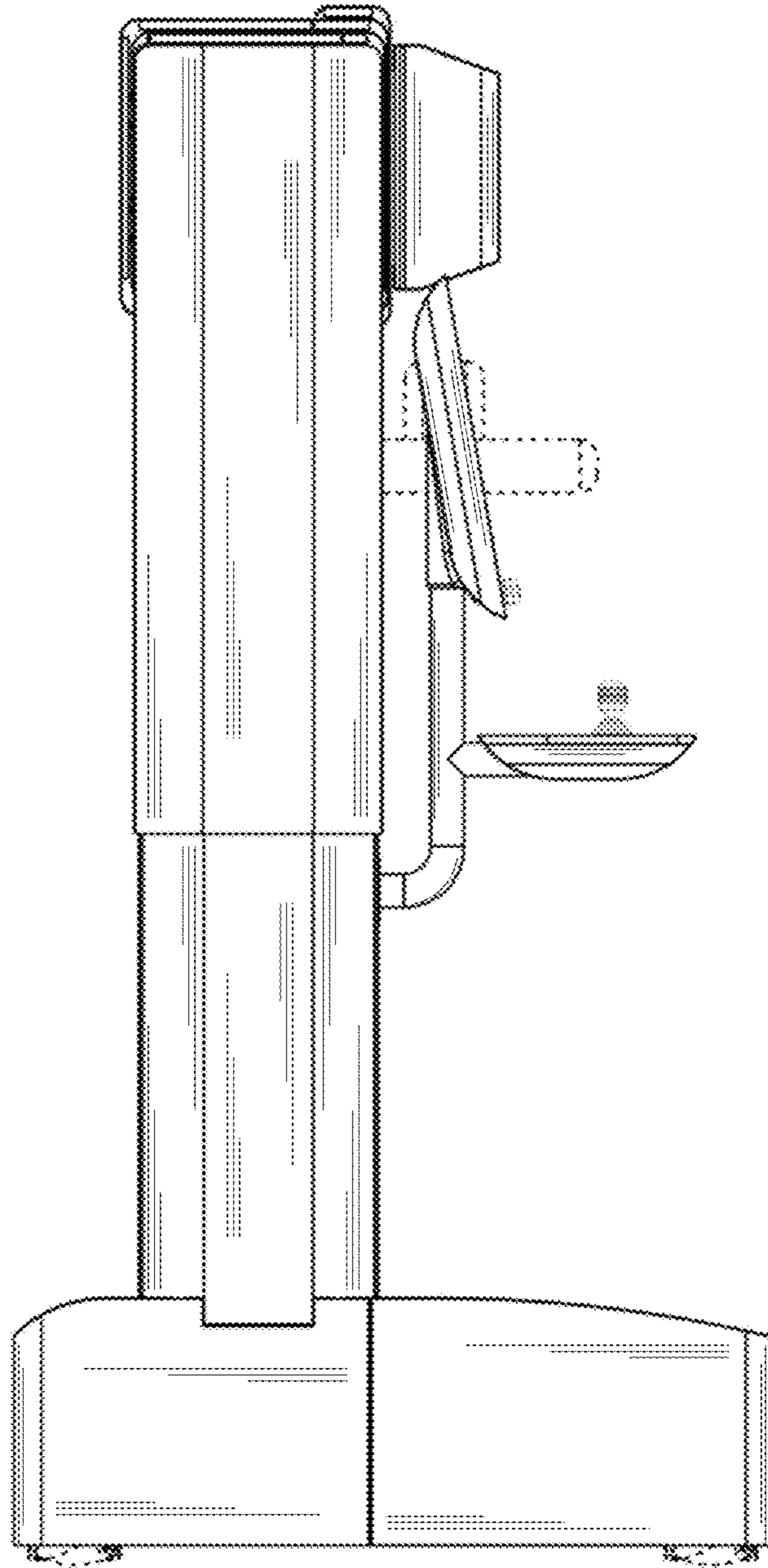


FIG. 5

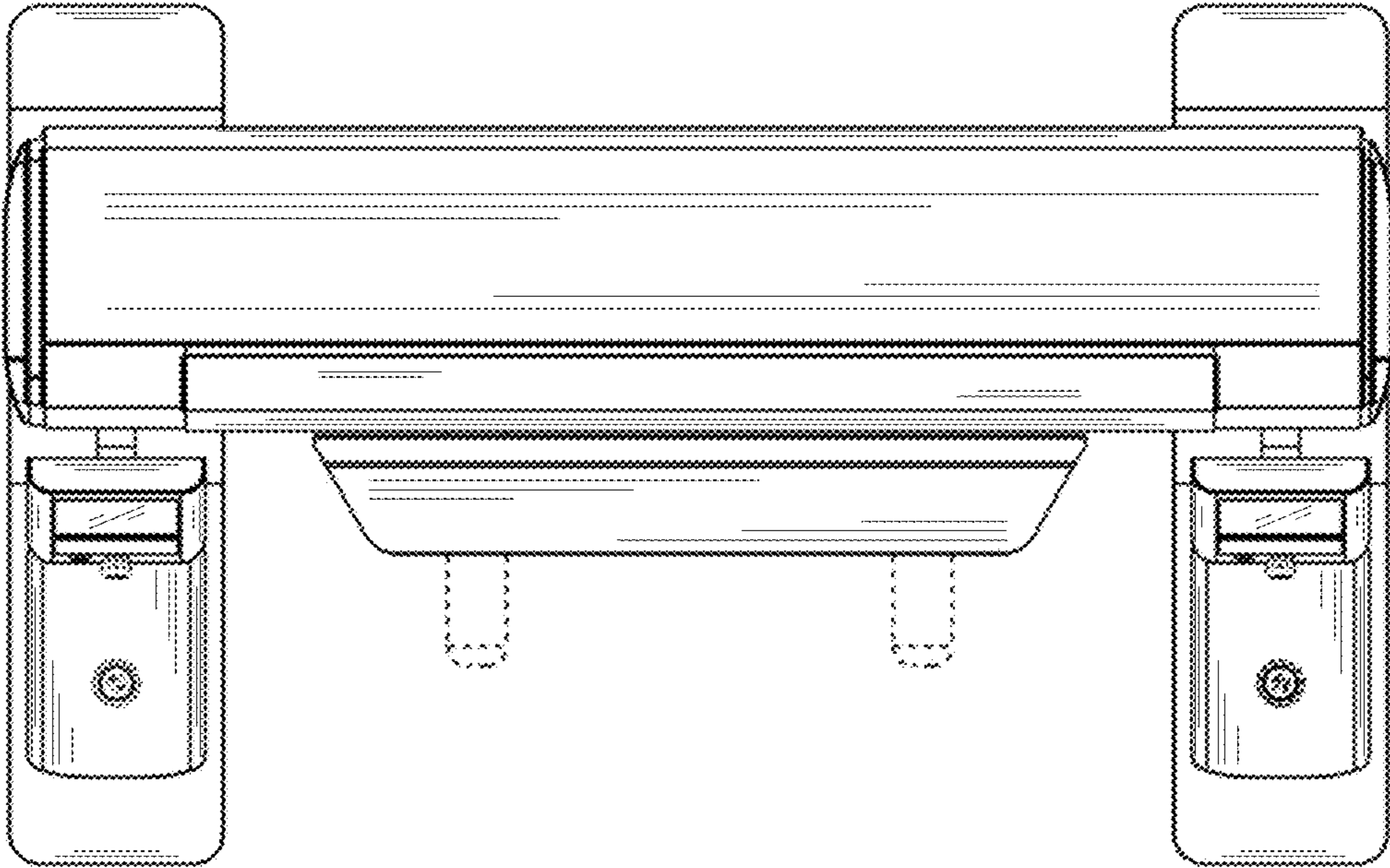


FIG. 6

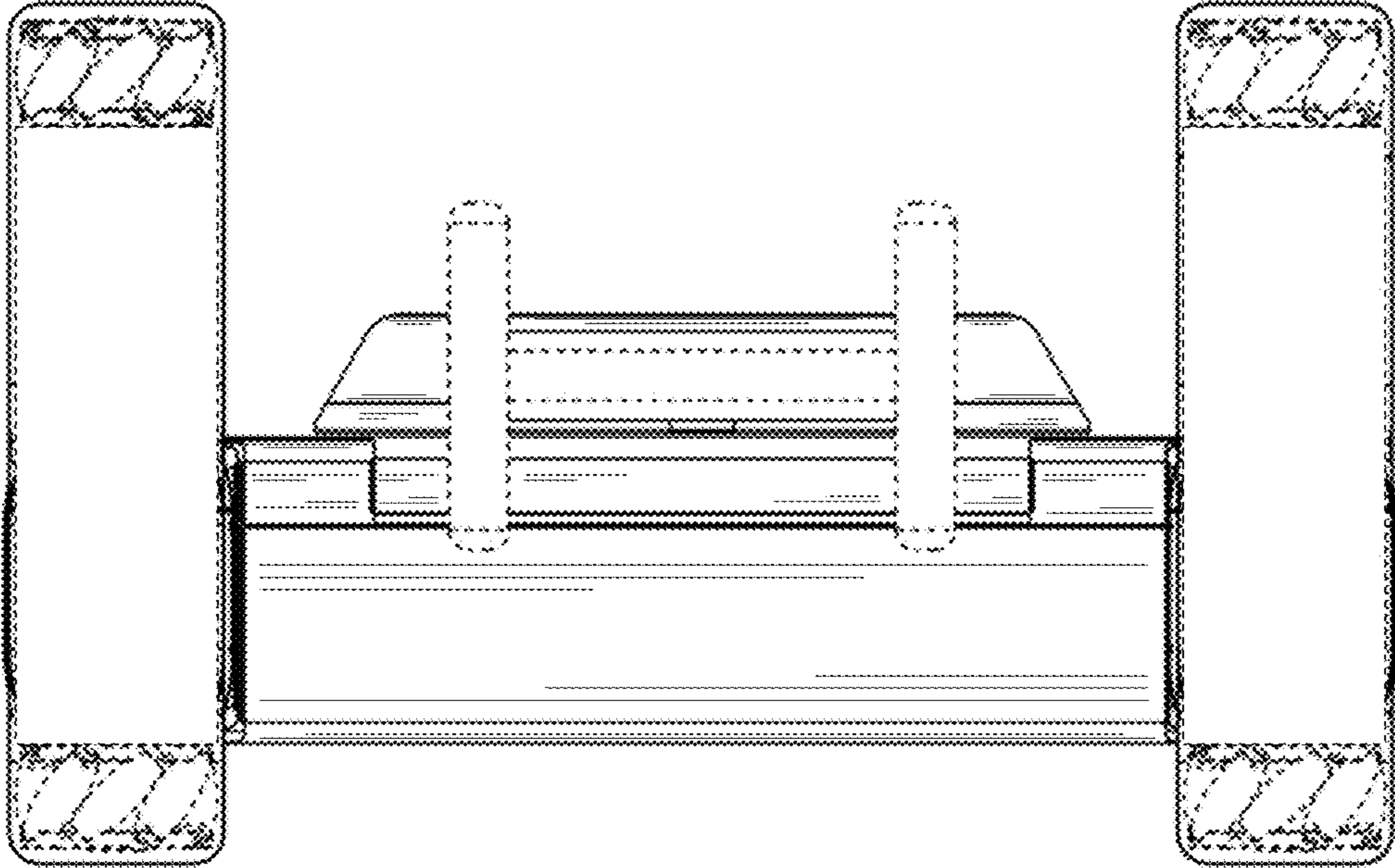


FIG. 7

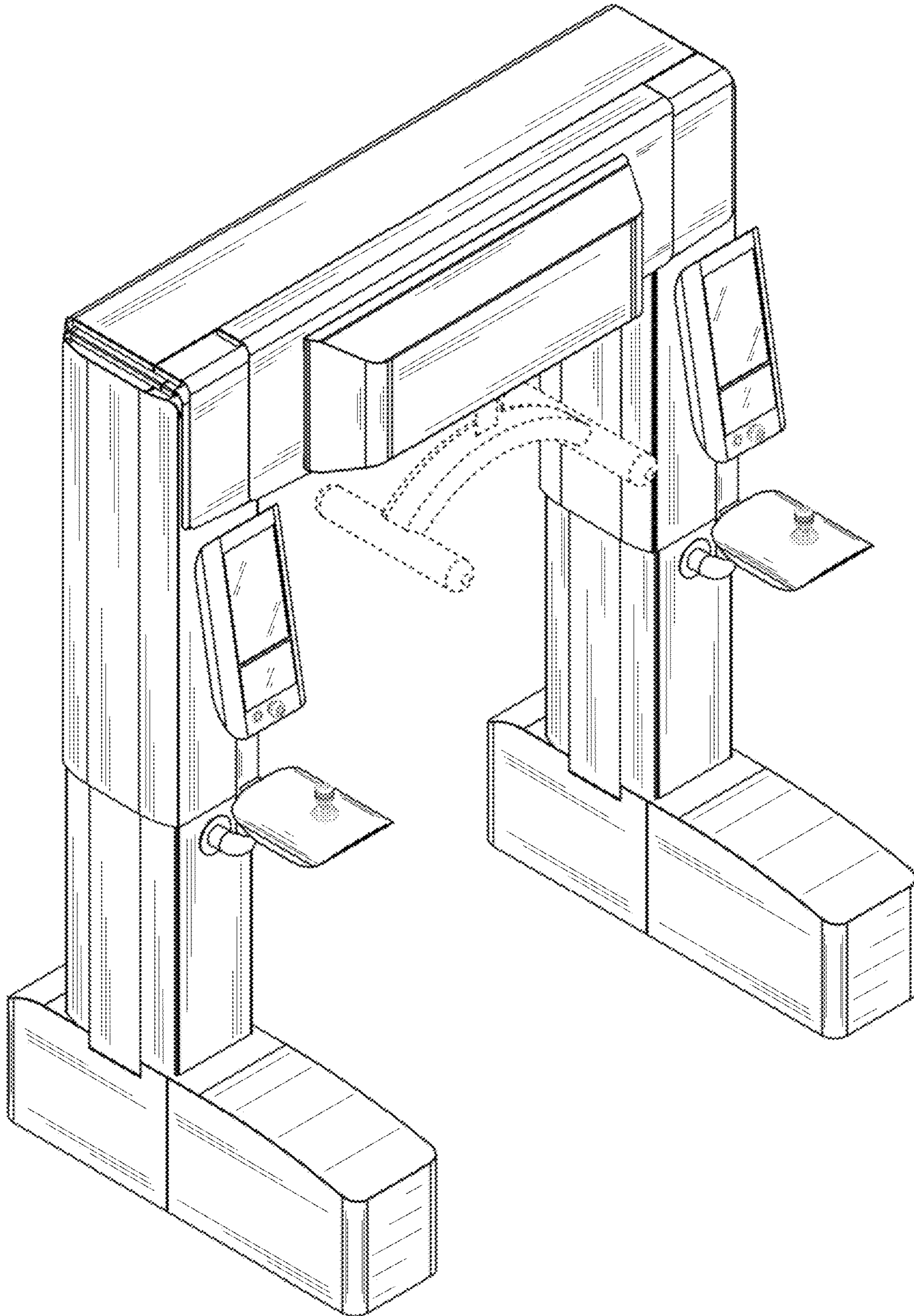


FIG. 8

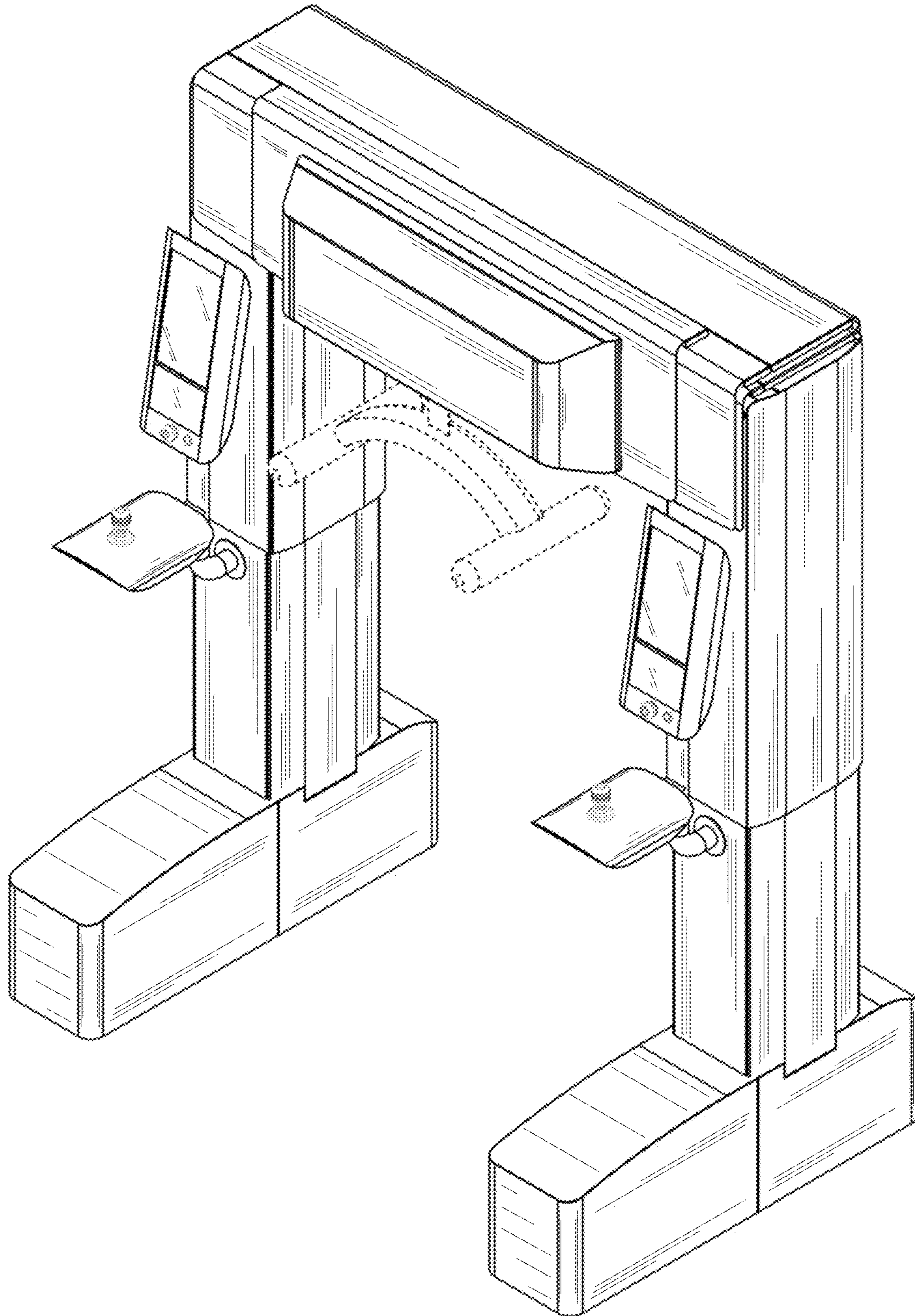


FIG. 9

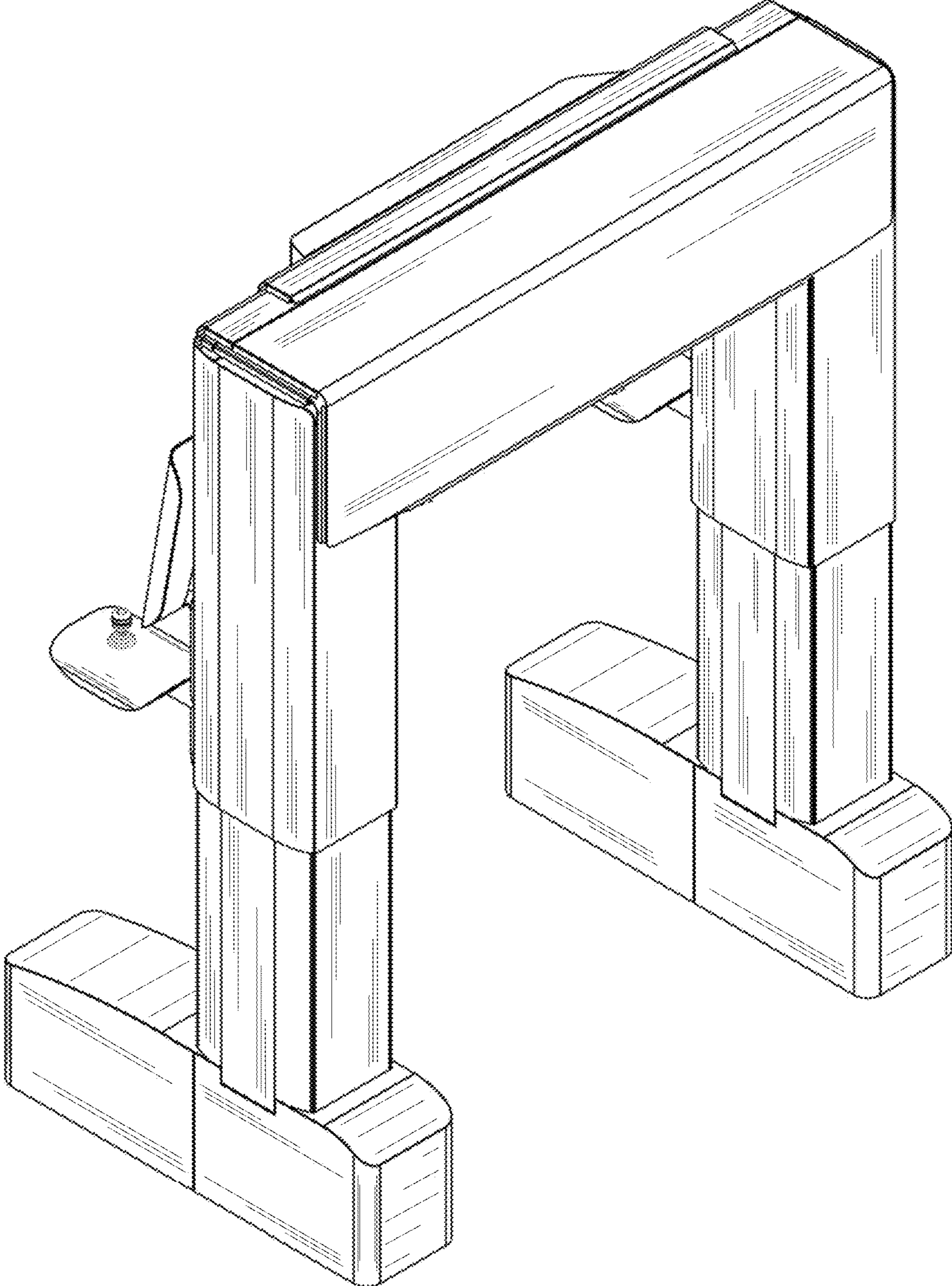


FIG. 10

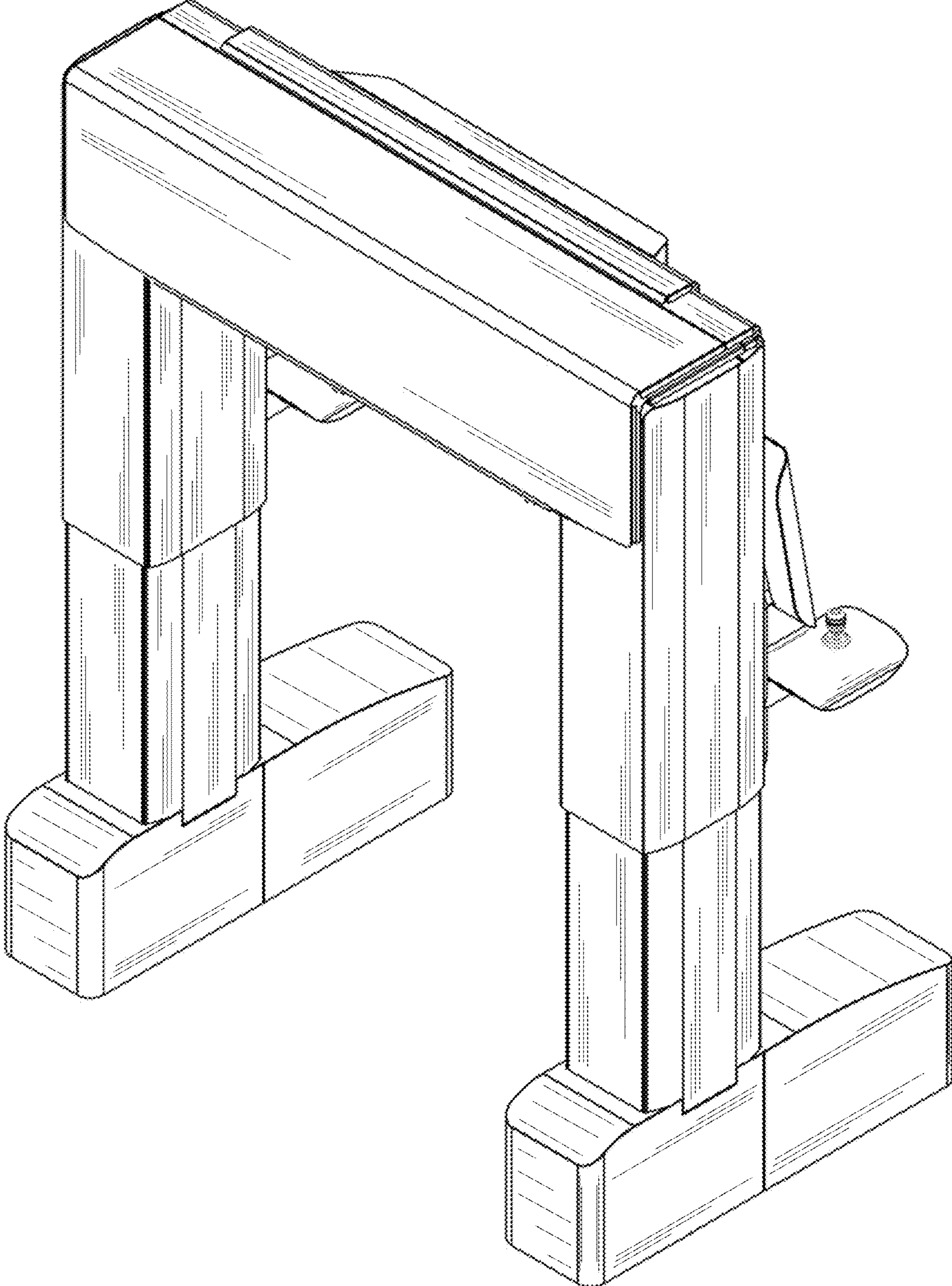


FIG. 11

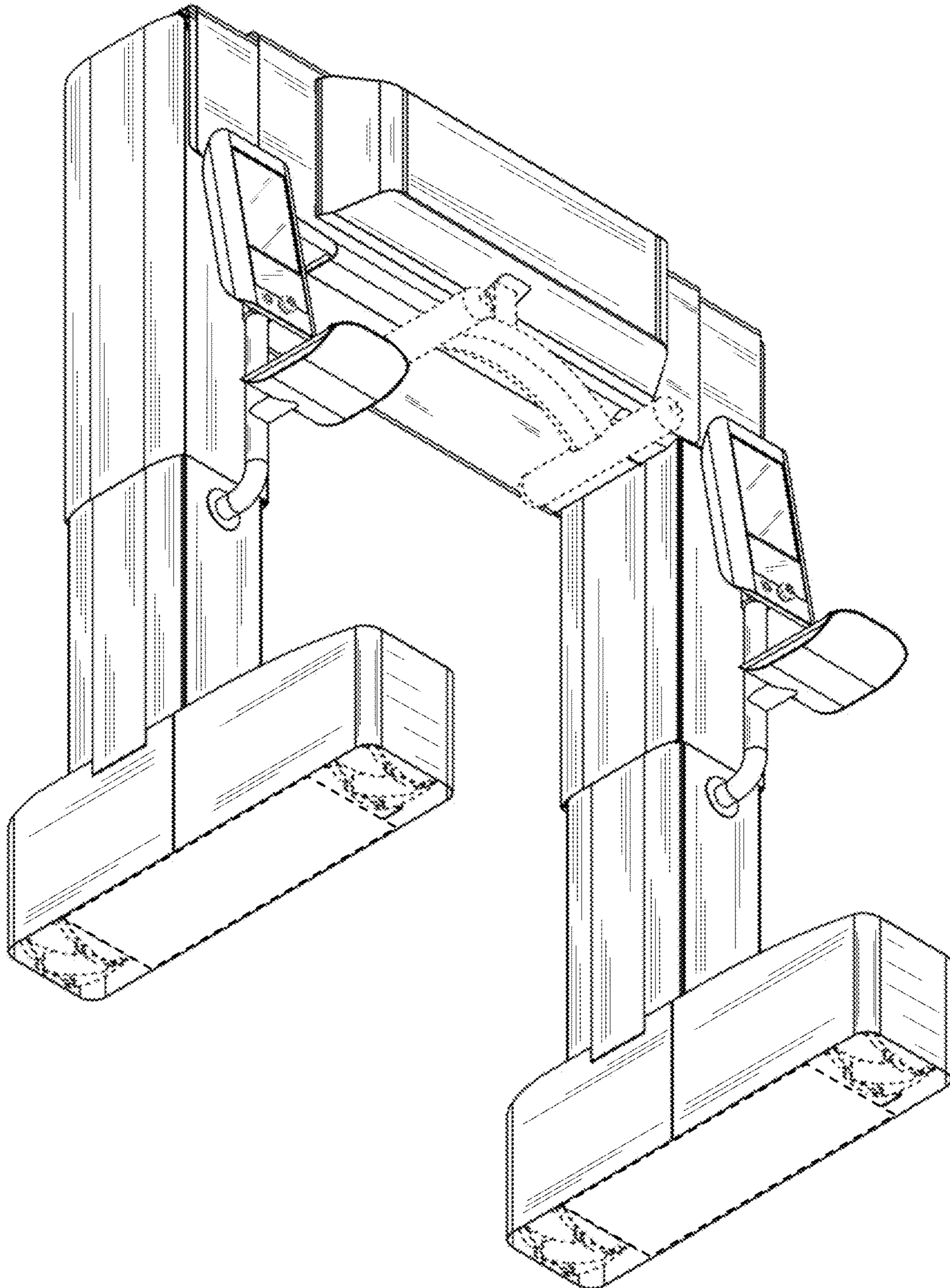


FIG. 12

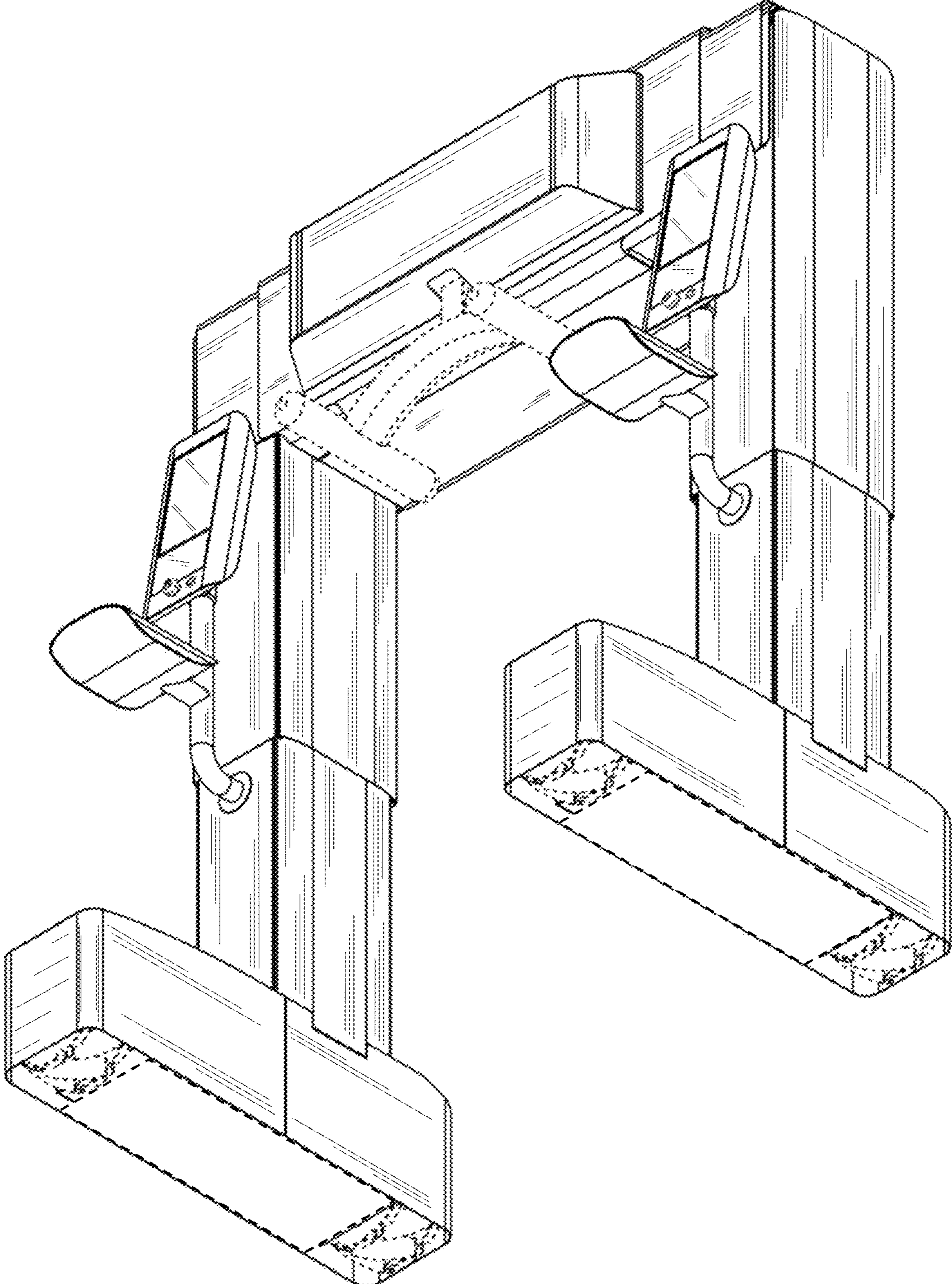


FIG. 13

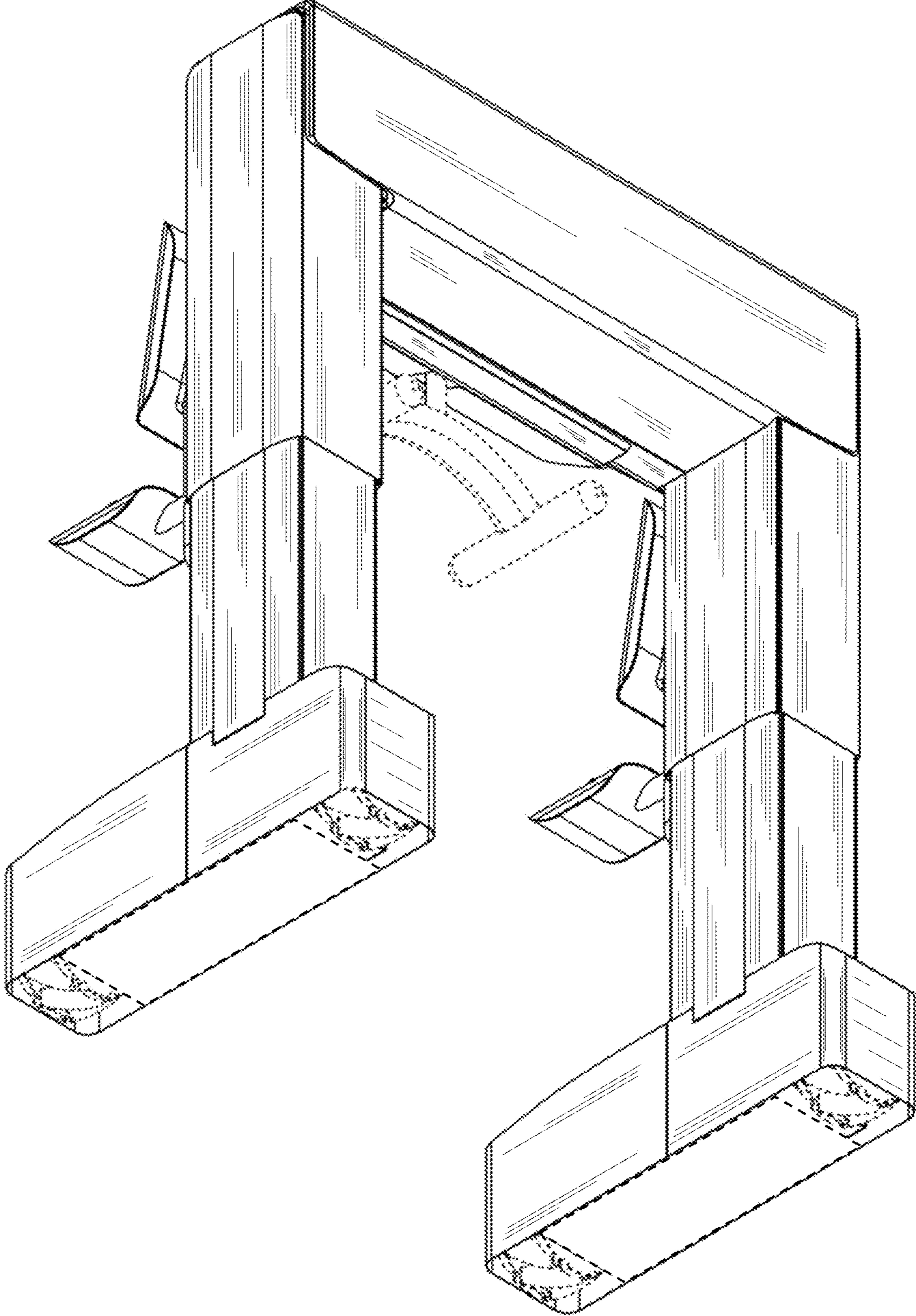


FIG. 14

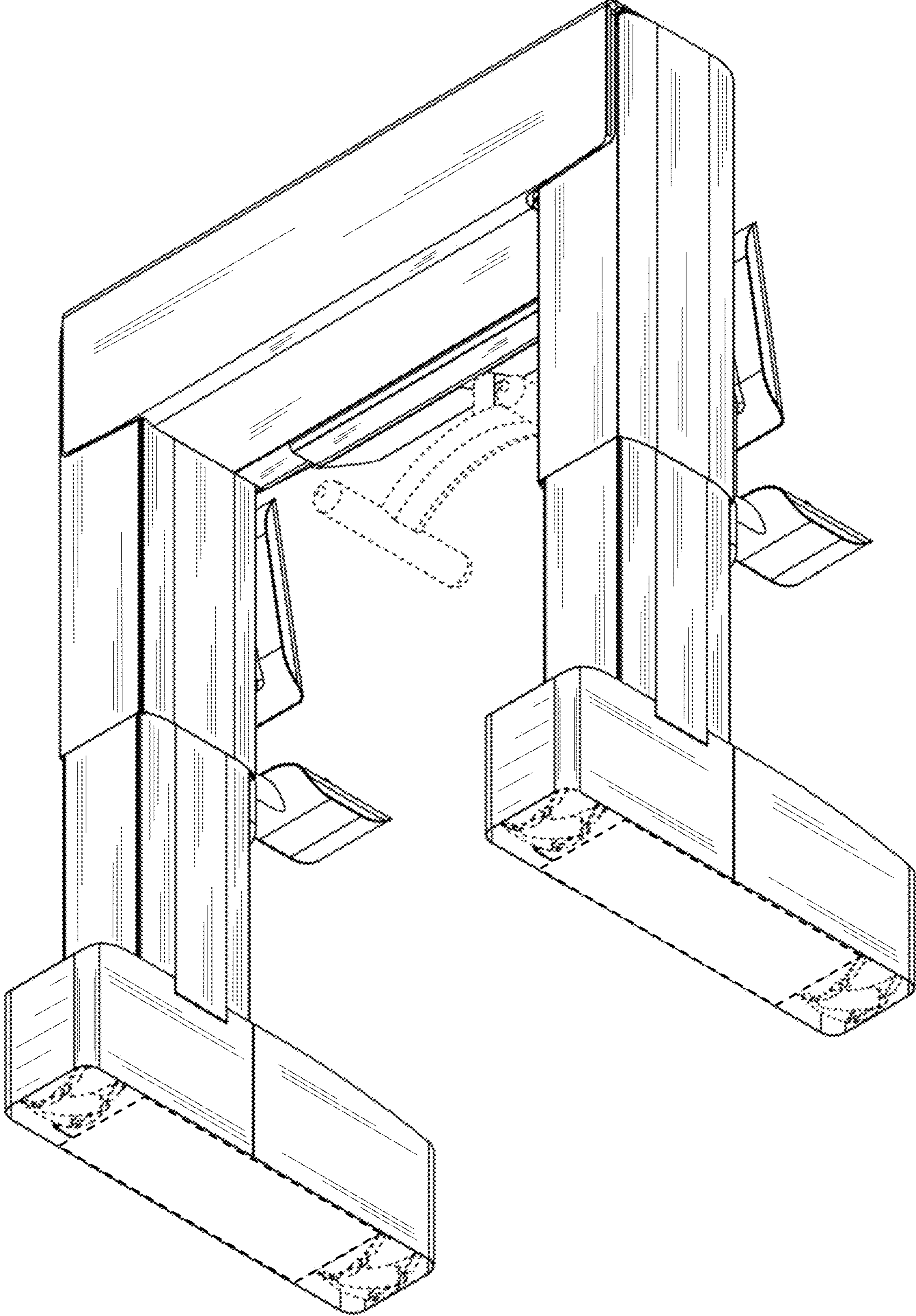


FIG. 15

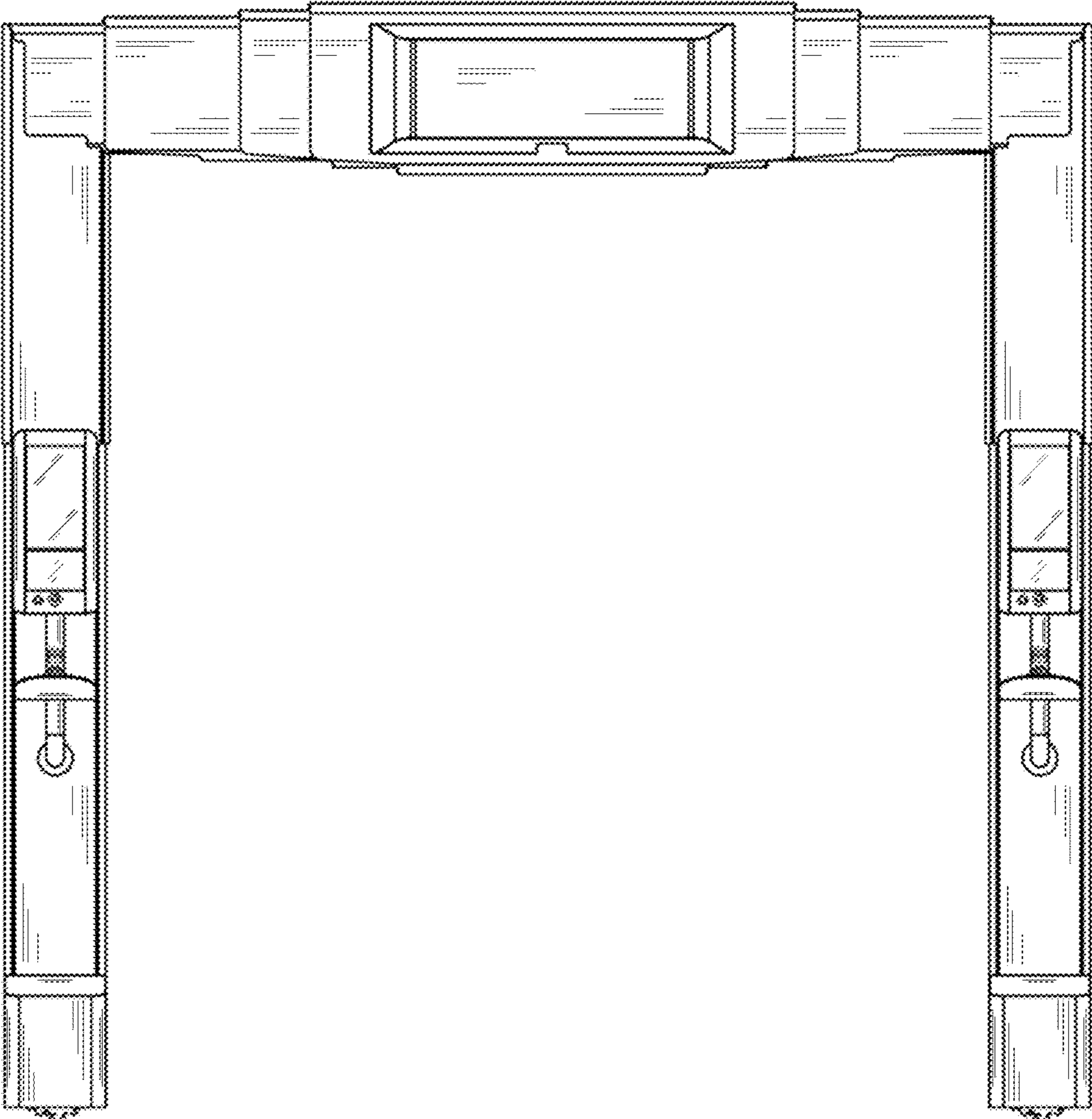


FIG. 16

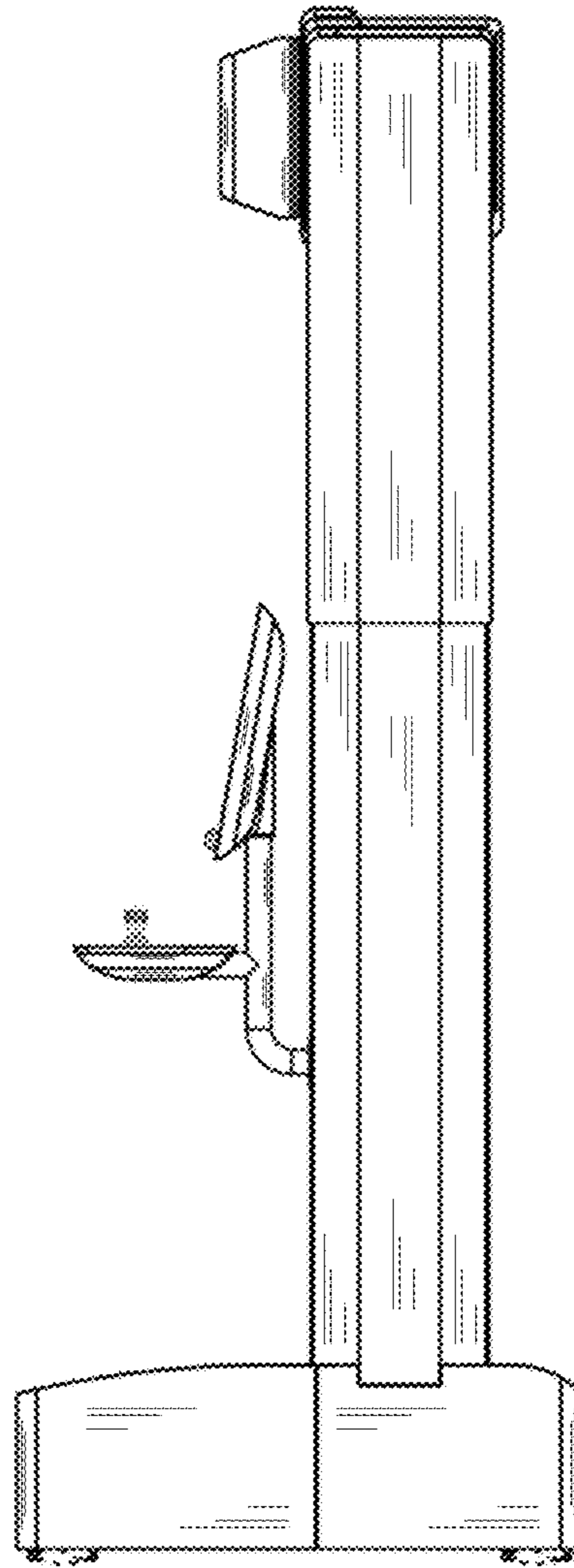


FIG. 17

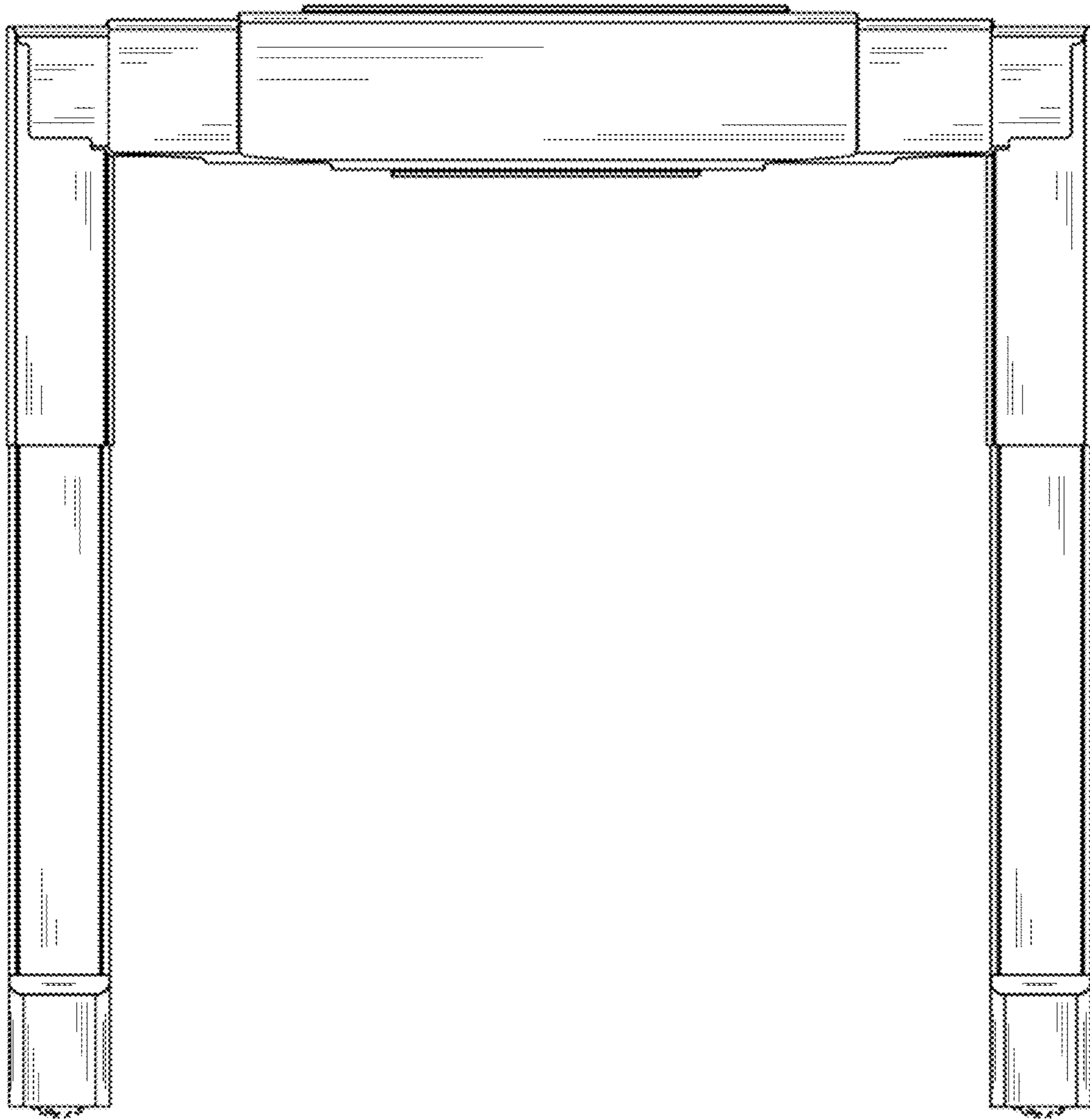


FIG. 18

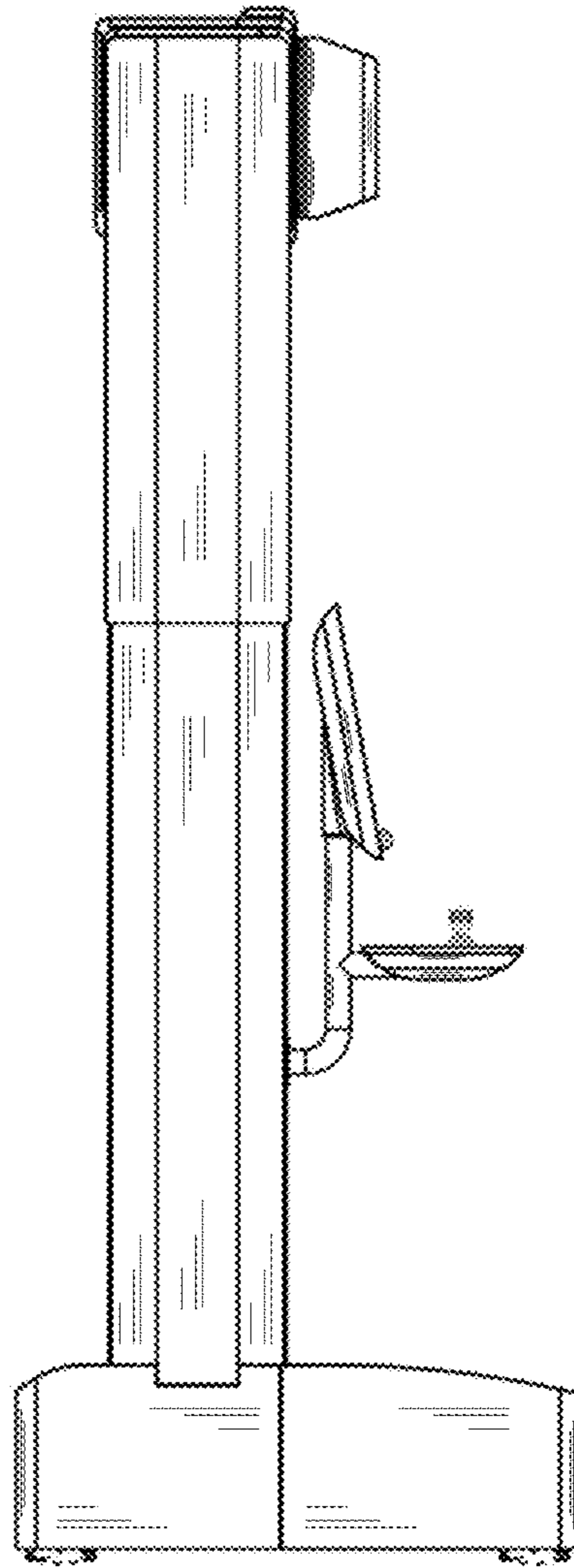


FIG. 19

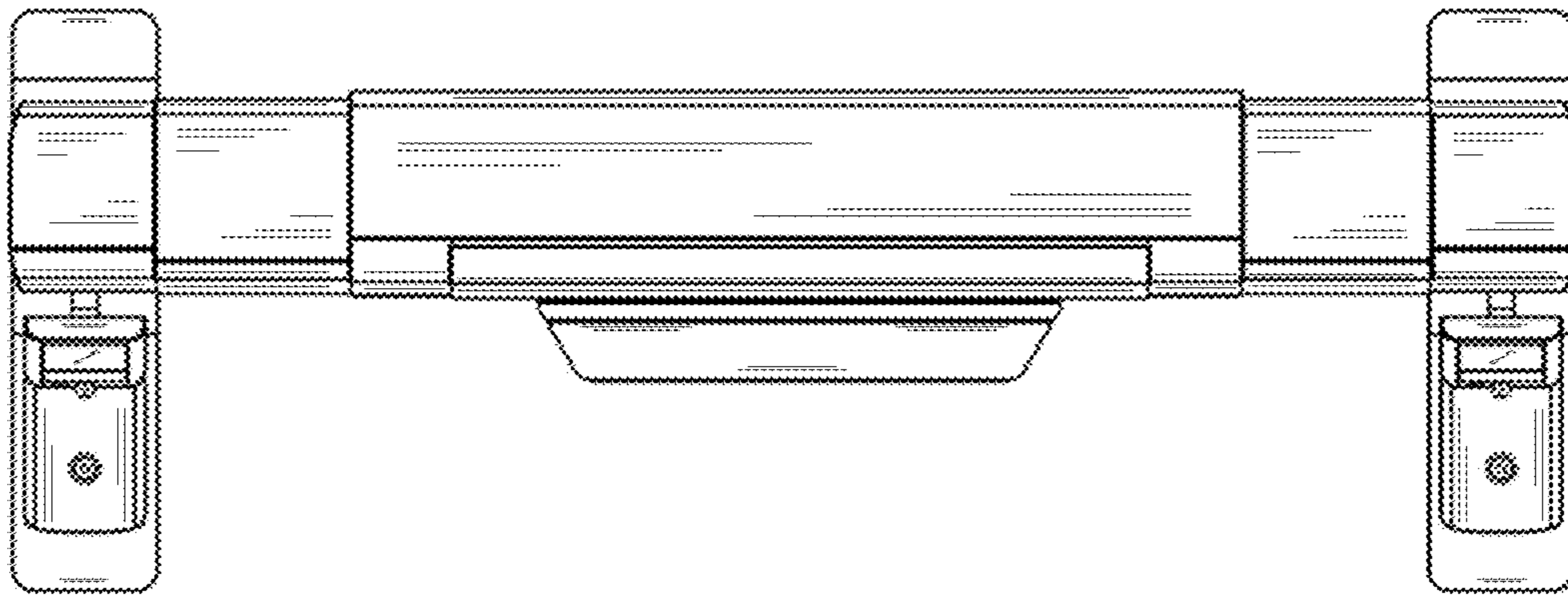


FIG. 20

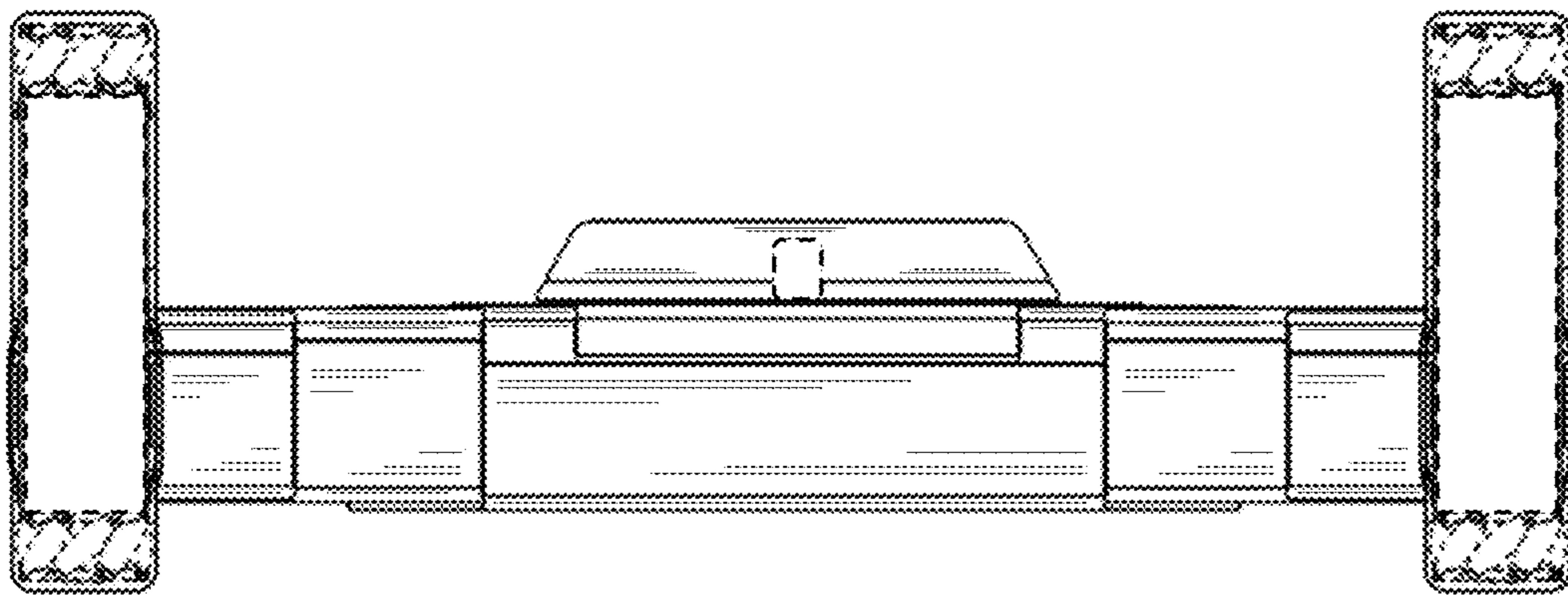


FIG. 21

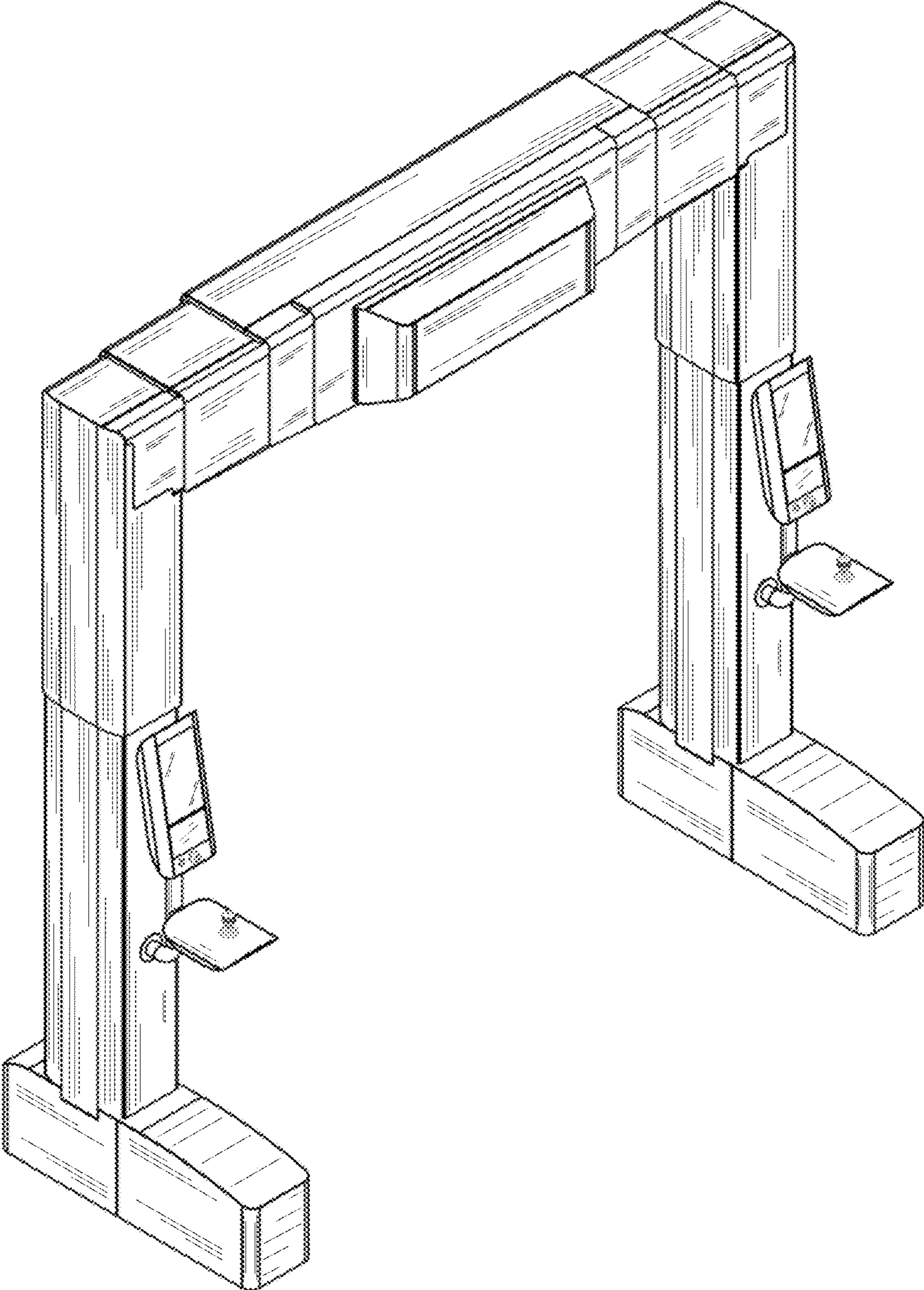


FIG. 22

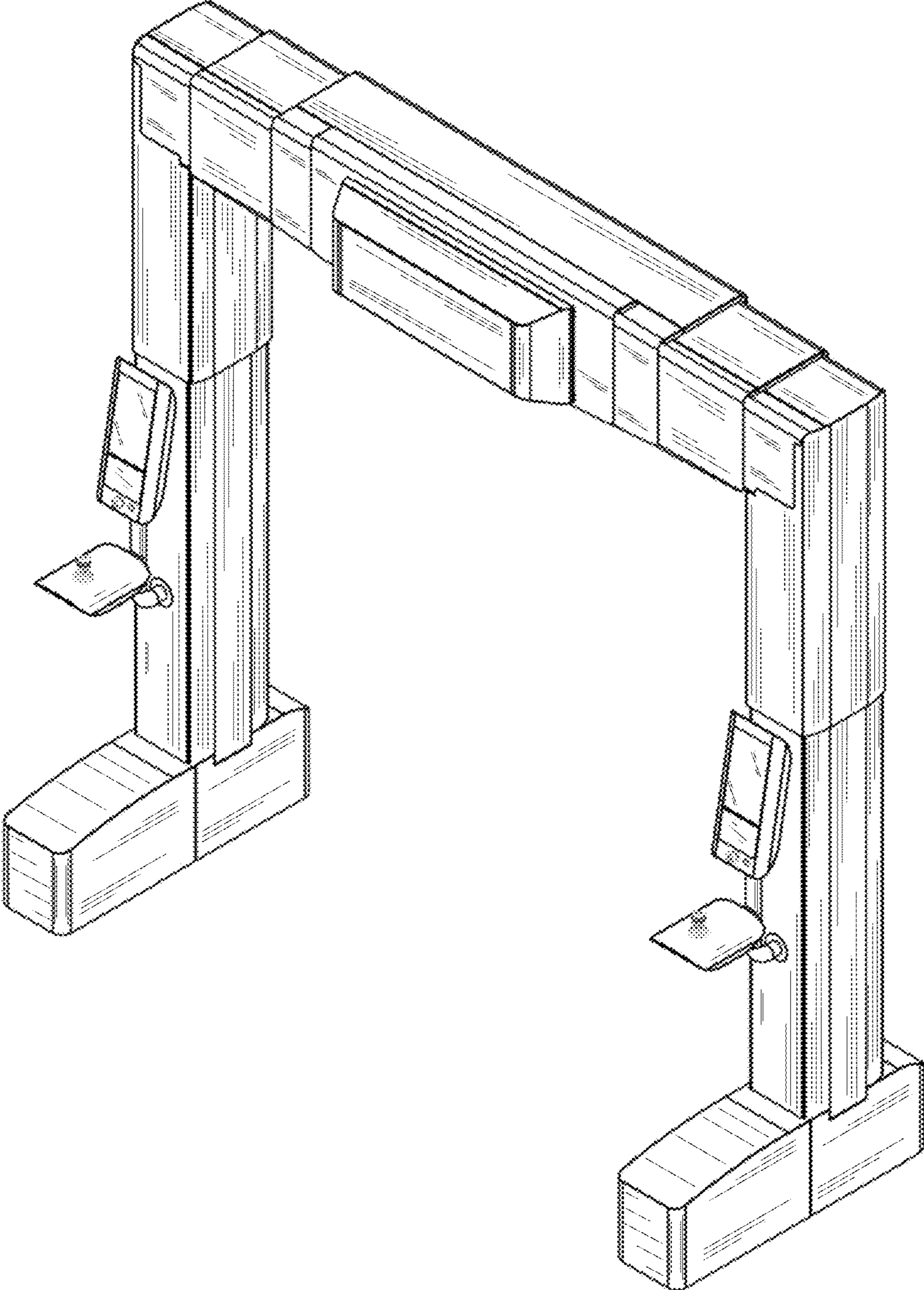


FIG. 23

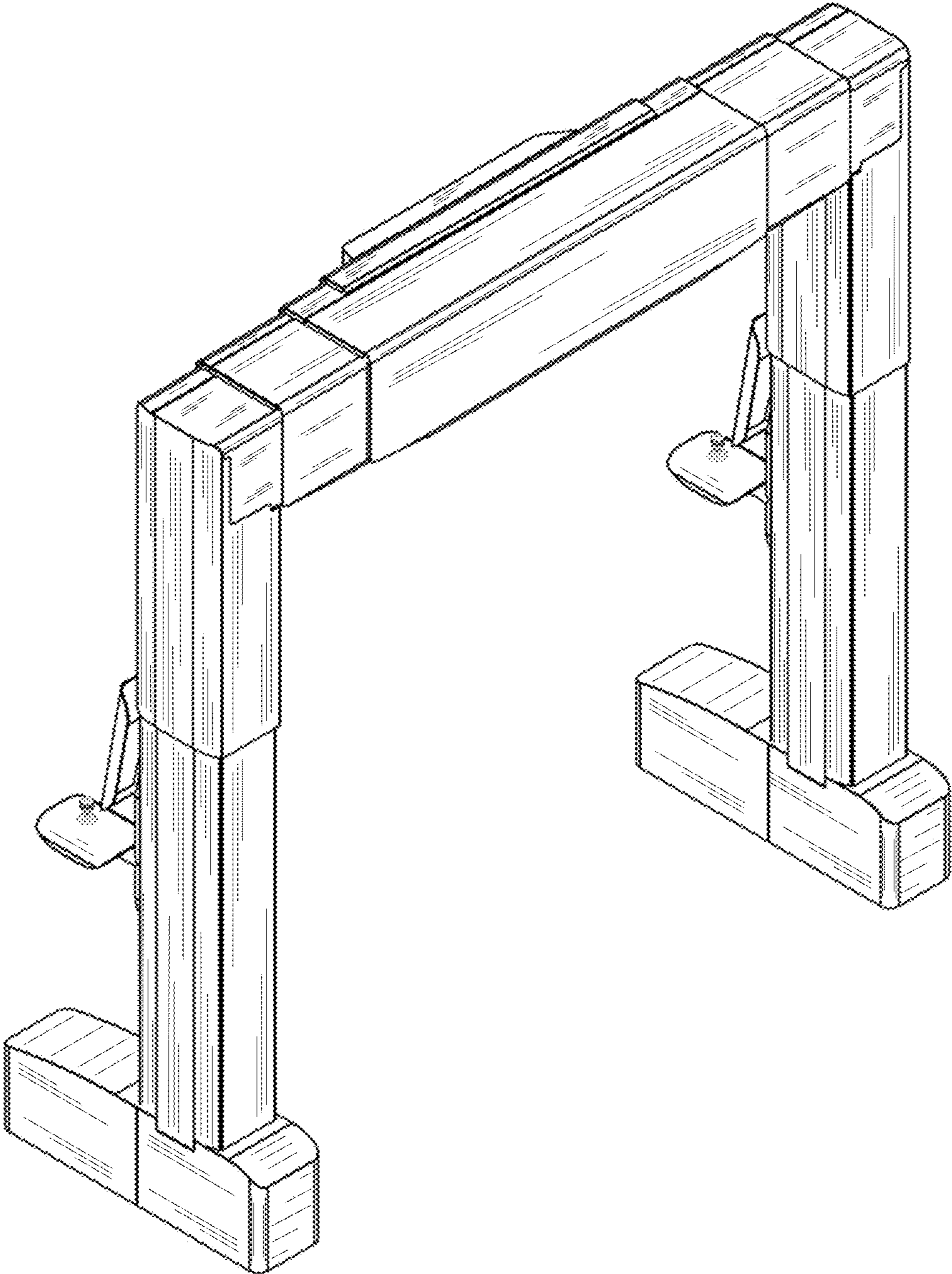


FIG. 24

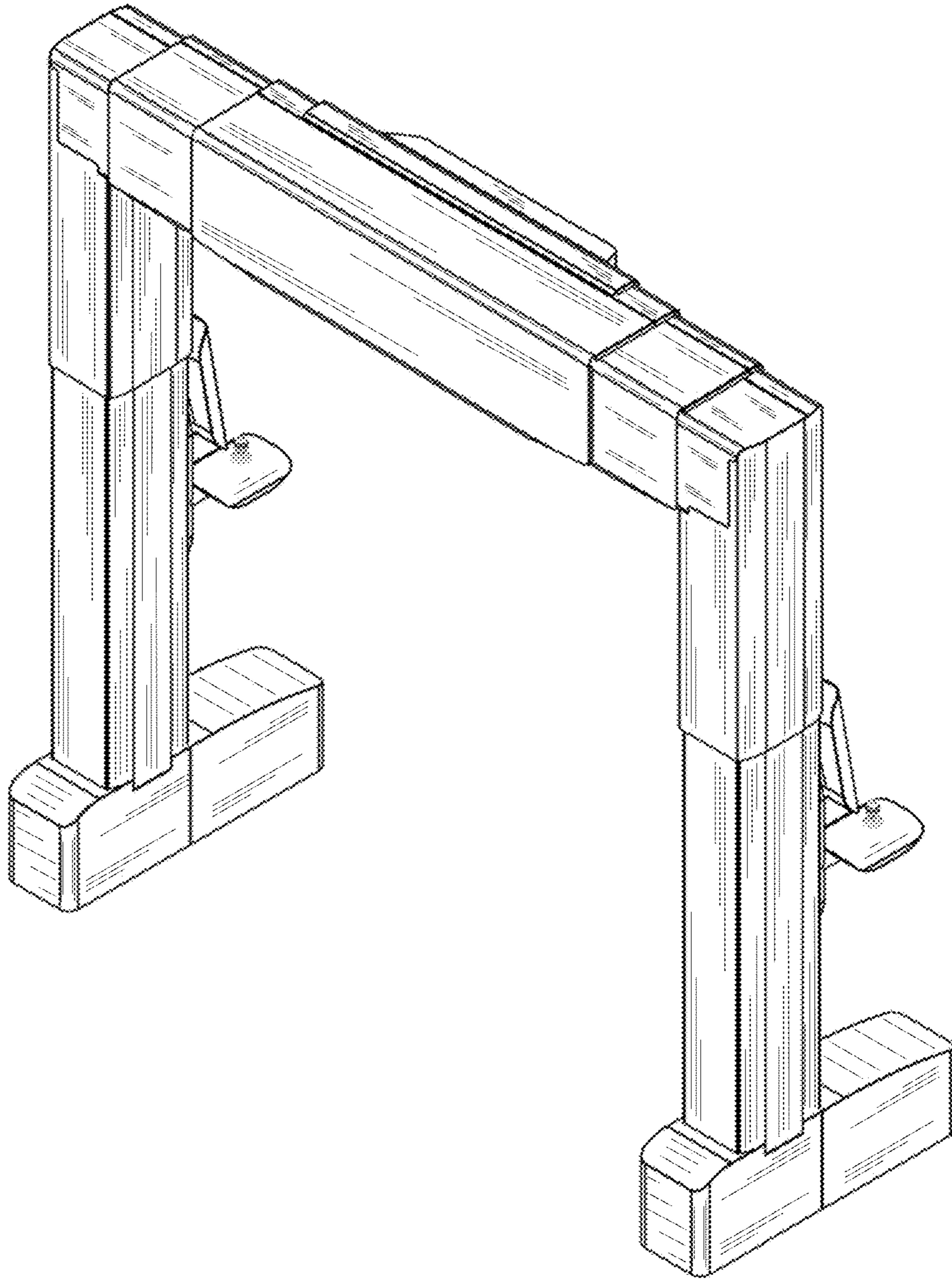


FIG. 25

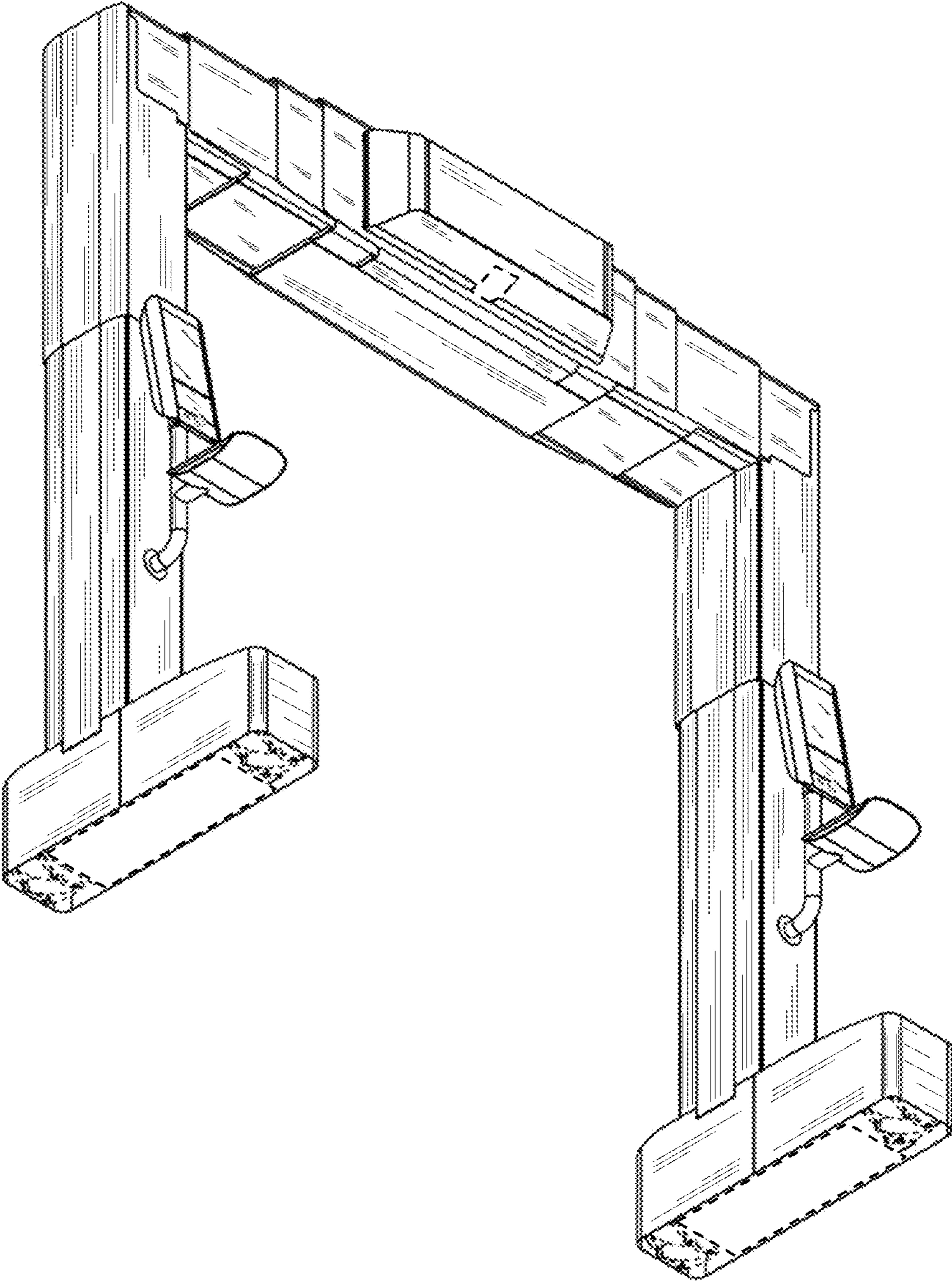


FIG. 26

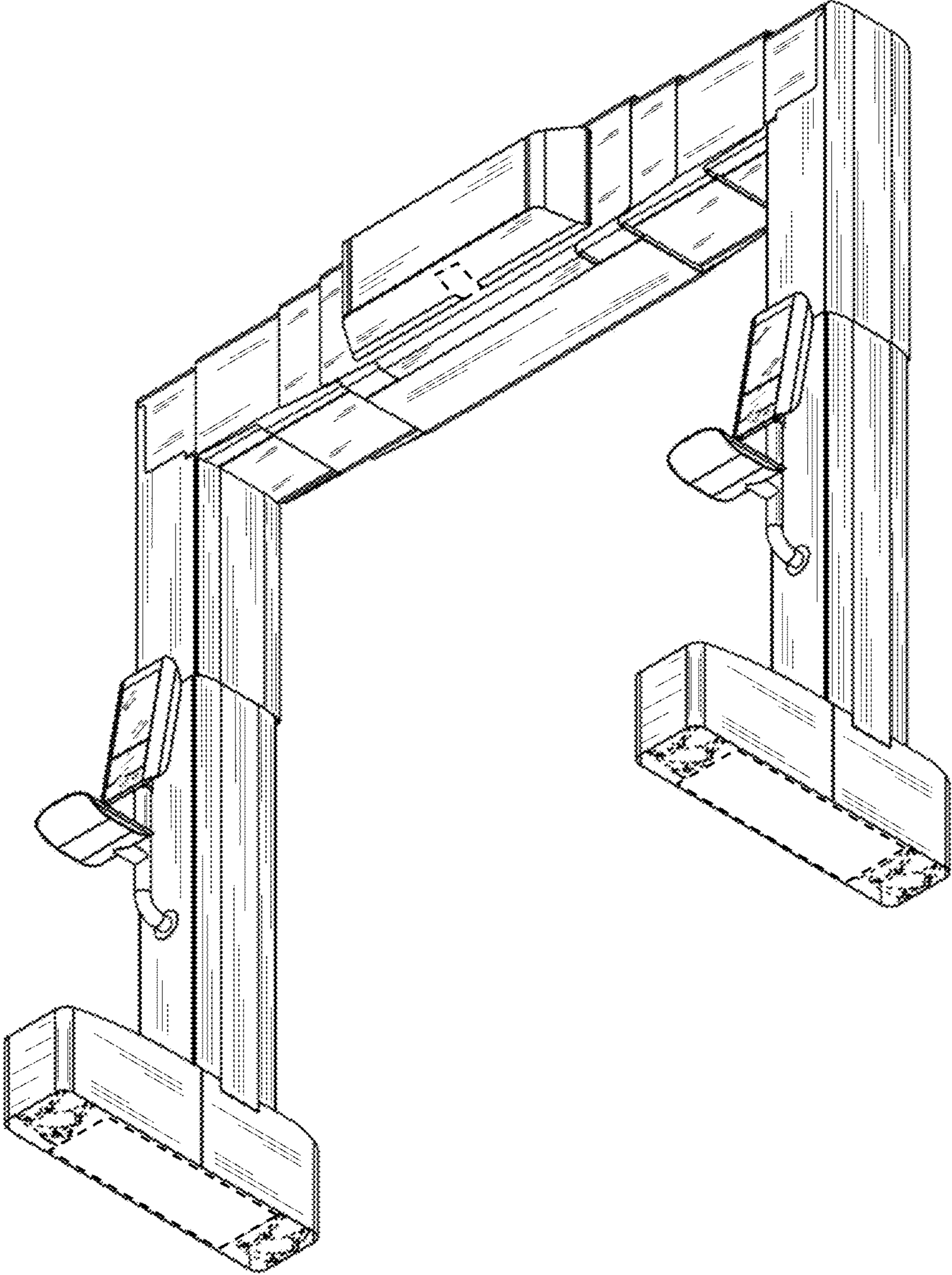


FIG. 27

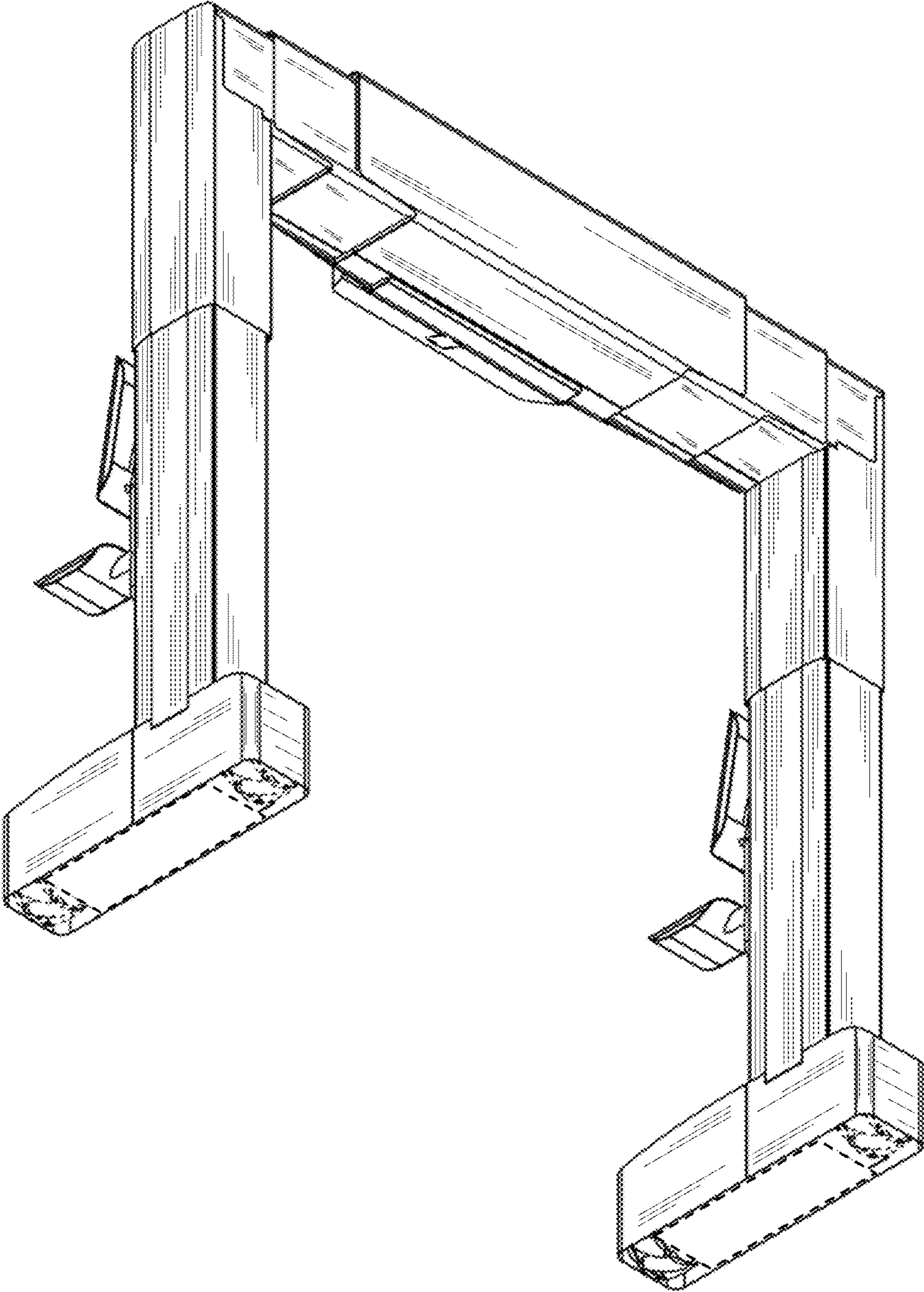


FIG. 28

