



US00D954118S

(12) **United States Design Patent**
Lotz

(10) **Patent No.:** **US D954,118 S**
(45) **Date of Patent:** **** Jun. 7, 2022**

(54) **GARAGE DOOR OPENER**

(71) Applicant: **Hörmann KG Antriebstechnik**,
Steinhagen (DE)

(72) Inventor: **Hartmut Lotz**, Thalwil (CH)

(73) Assignee: **Hörmann KG Antriebstechnik**,
Steinhagen (DE)

(**) Term: **15 Years**

(21) Appl. No.: **29/715,825**

(22) Filed: **Dec. 4, 2019**

(30) **Foreign Application Priority Data**

Jun. 5, 2019 (EM) 006565339-0001
Jun. 5, 2019 (EM) 006565339-0002

(51) **LOC (13) Cl.** **15-09**

(52) **U.S. Cl.**
USPC **D15/148; D15/199; D13/168**

(58) **Field of Classification Search**
USPC D13/168, 184, 199; D14/218; D15/148,
D15/199; D10/104.1
CPC E05F 15/43; E05F 15/60; E05F 15/668;
E05F 15/68; G07C 9/00896; H05K
5/0221
See application file for complete search history.

(56) **References Cited**

U.S. PATENT DOCUMENTS

D221,226 S * 7/1971 Dercoli D15/199
D221,859 S * 9/1971 Dercoli D15/199
3,764,874 A * 10/1973 Geoffrey E05F 15/41
318/266
D402,300 S * 12/1998 Doppelt D15/199
D434,054 S * 11/2000 Luke D15/199

6,191,706 B1 * 2/2001 Kositkun E04H 6/426
340/539.1
D469,114 S * 1/2003 Coullahan D15/148
D469,115 S * 1/2003 Coullahan D15/148
D477,619 S * 7/2003 Coullahan D15/148
D478,605 S * 8/2003 Guzman D13/168
D486,506 S * 2/2004 Bian D15/148
D486,841 S * 2/2004 Reedy D15/199
D492,333 S * 6/2004 Guzman D15/148
D493,477 S * 7/2004 Reedy D15/199
D500,747 S * 1/2005 Gavel D13/184
D581,437 S * 11/2008 Randazzo D15/148
D844,685 S * 4/2019 Bresson D15/148
2002/0008403 A1 * 1/2002 Ser E05F 17/004
296/100.08
2010/0107498 A1 * 5/2010 Ley E05F 15/70
49/199
2015/0013229 A1 * 1/2015 Shalom E05F 15/668
49/199
2016/0037664 A1 * 2/2016 Hendricks H05K 5/0204
361/814

* cited by examiner

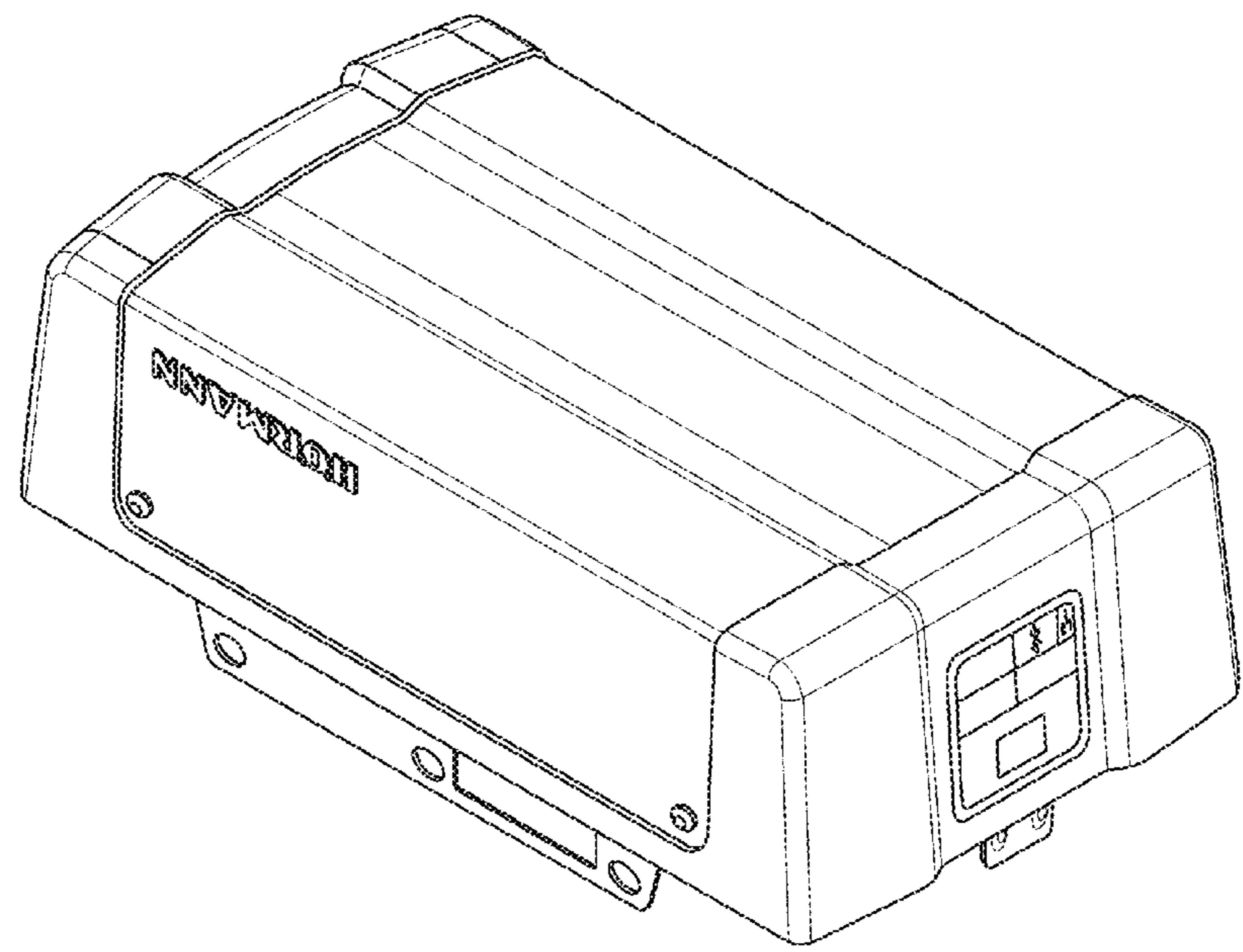
Primary Examiner — Patricia A Palasik
(74) *Attorney, Agent, or Firm* — Studebaker & Brackett
PC

(57) **CLAIM**
The ornamental design for a garage door opener, as shown
and described.

DESCRIPTION

FIG. 1 is a bottom view of a garage door opener showing my
new design;
FIG. 2 is a right side view thereof;
FIG. 3 is a left side view thereof;
FIG. 4 is a top view thereof;
FIG. 5 is a top front perspective view thereof;
FIG. 6 is a front view thereof; and,
FIG. 7 is a bottom front perspective view thereof.

1 Claim, 4 Drawing Sheets



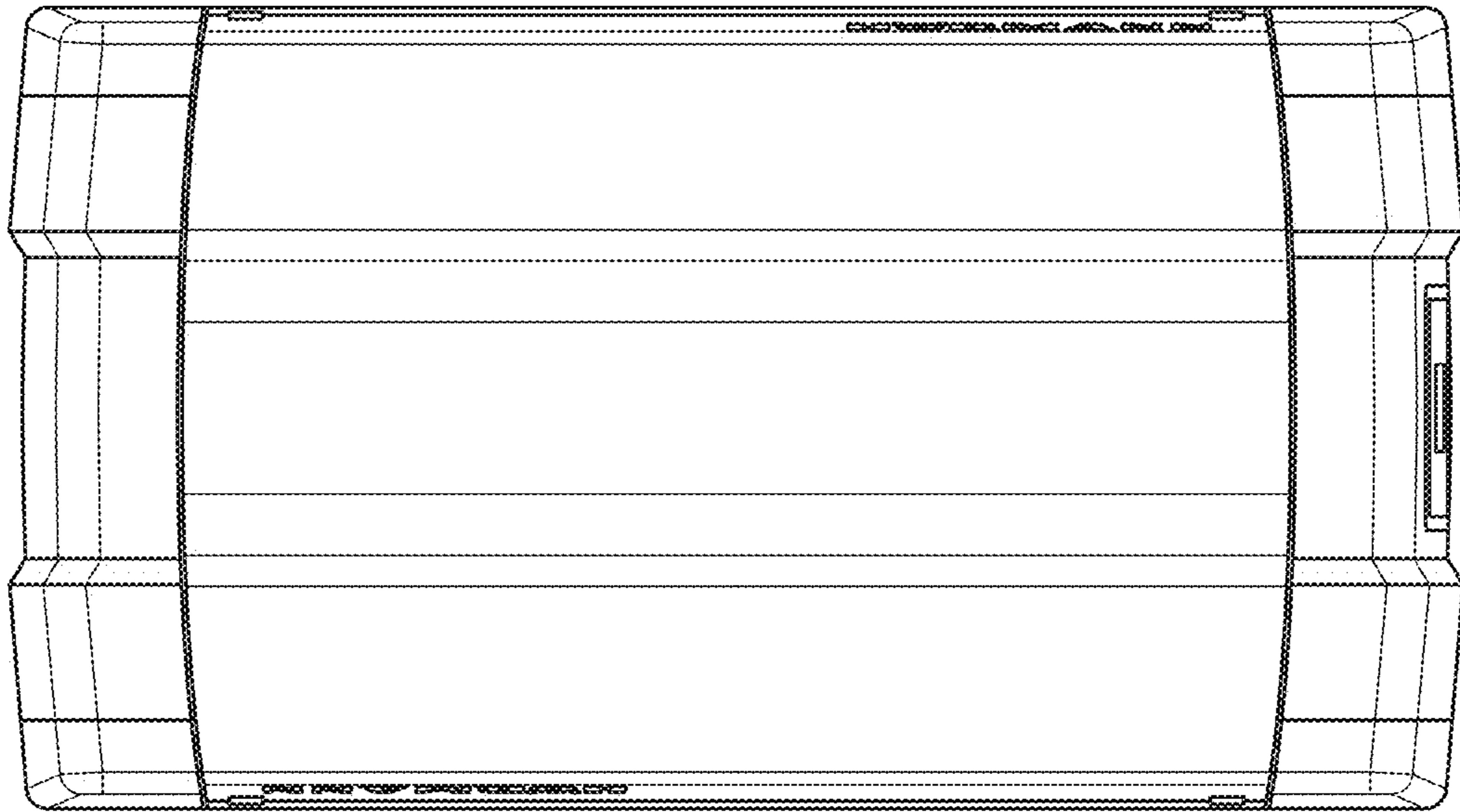


FIG. 1

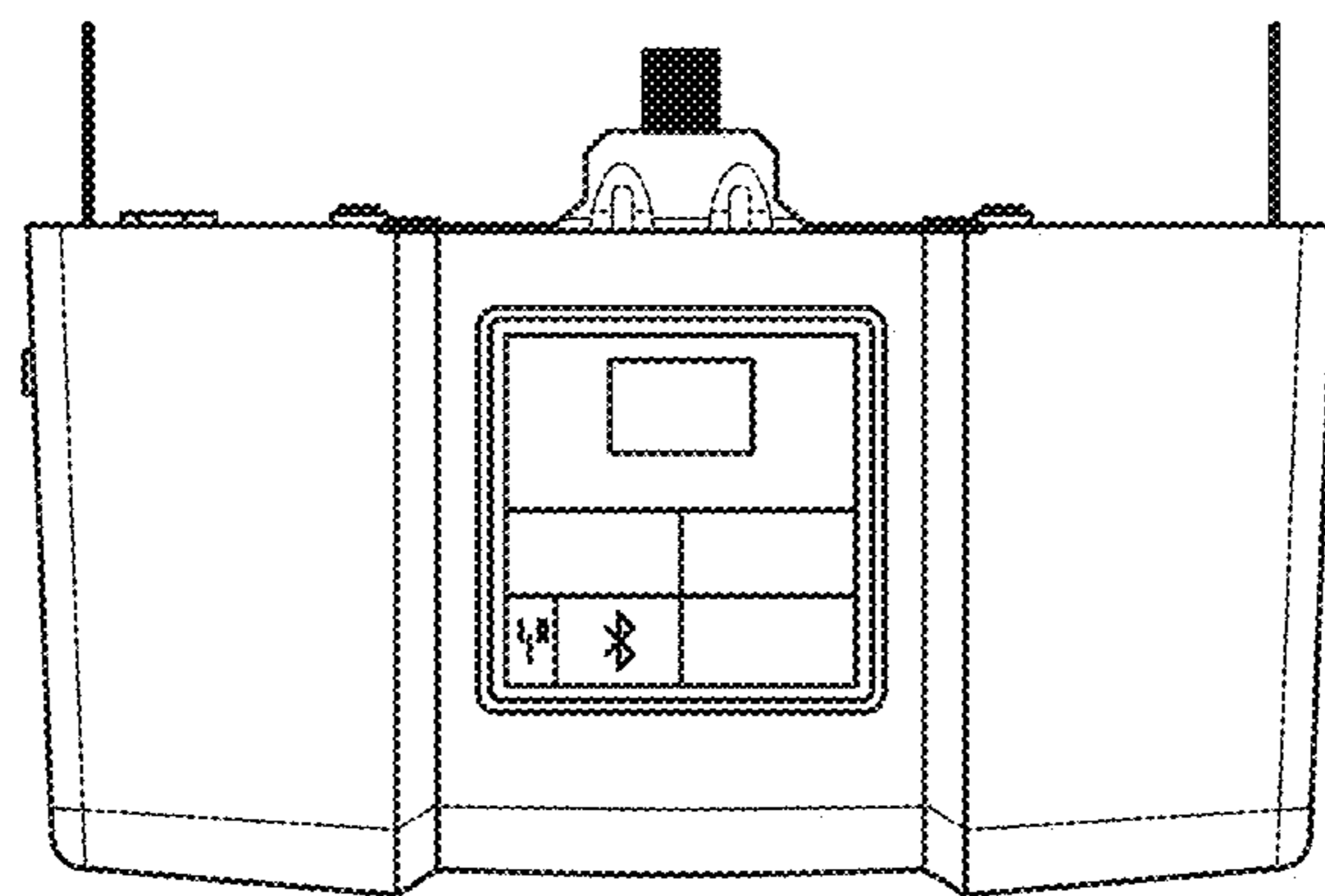


FIG. 2

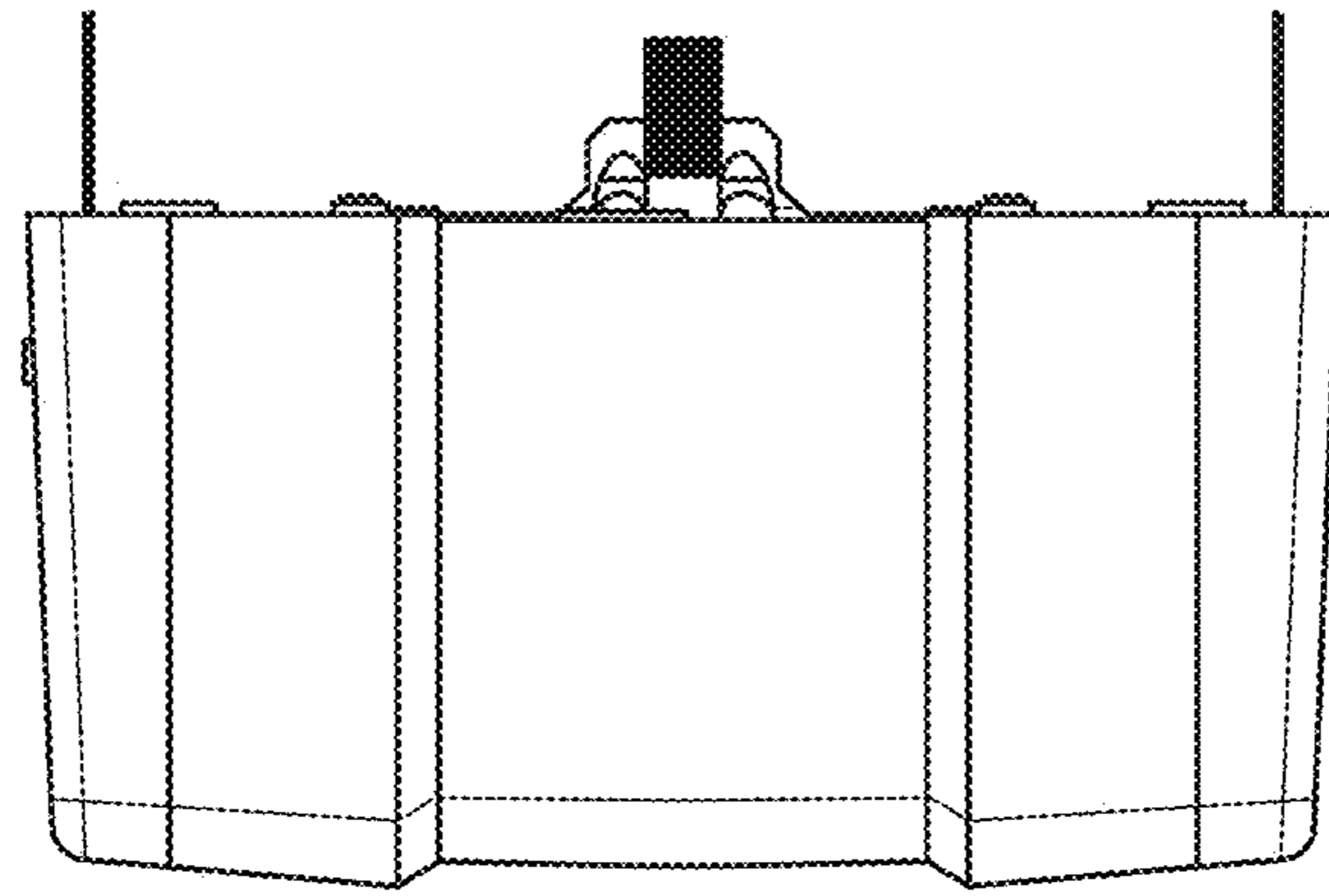


FIG. 3

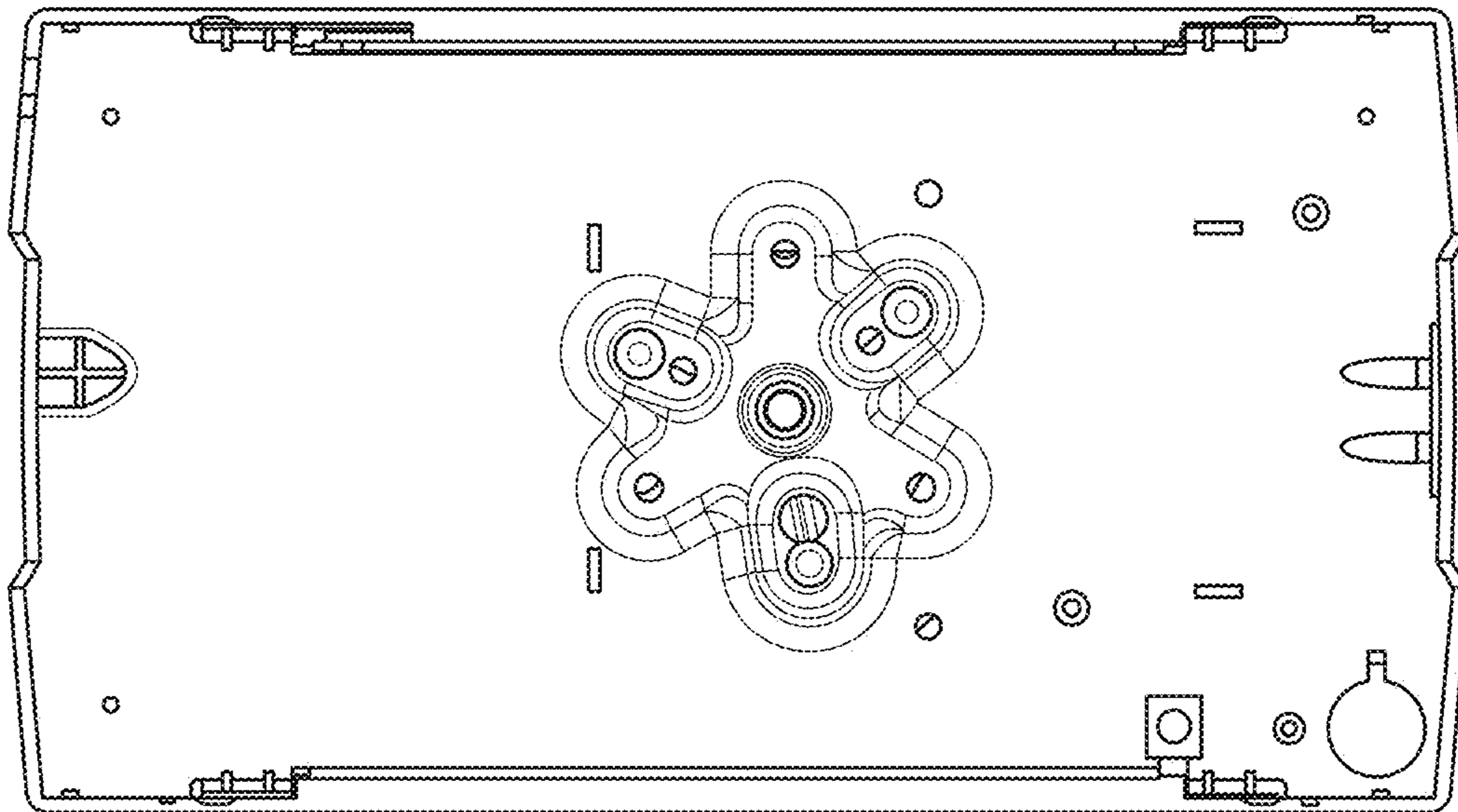


FIG. 4

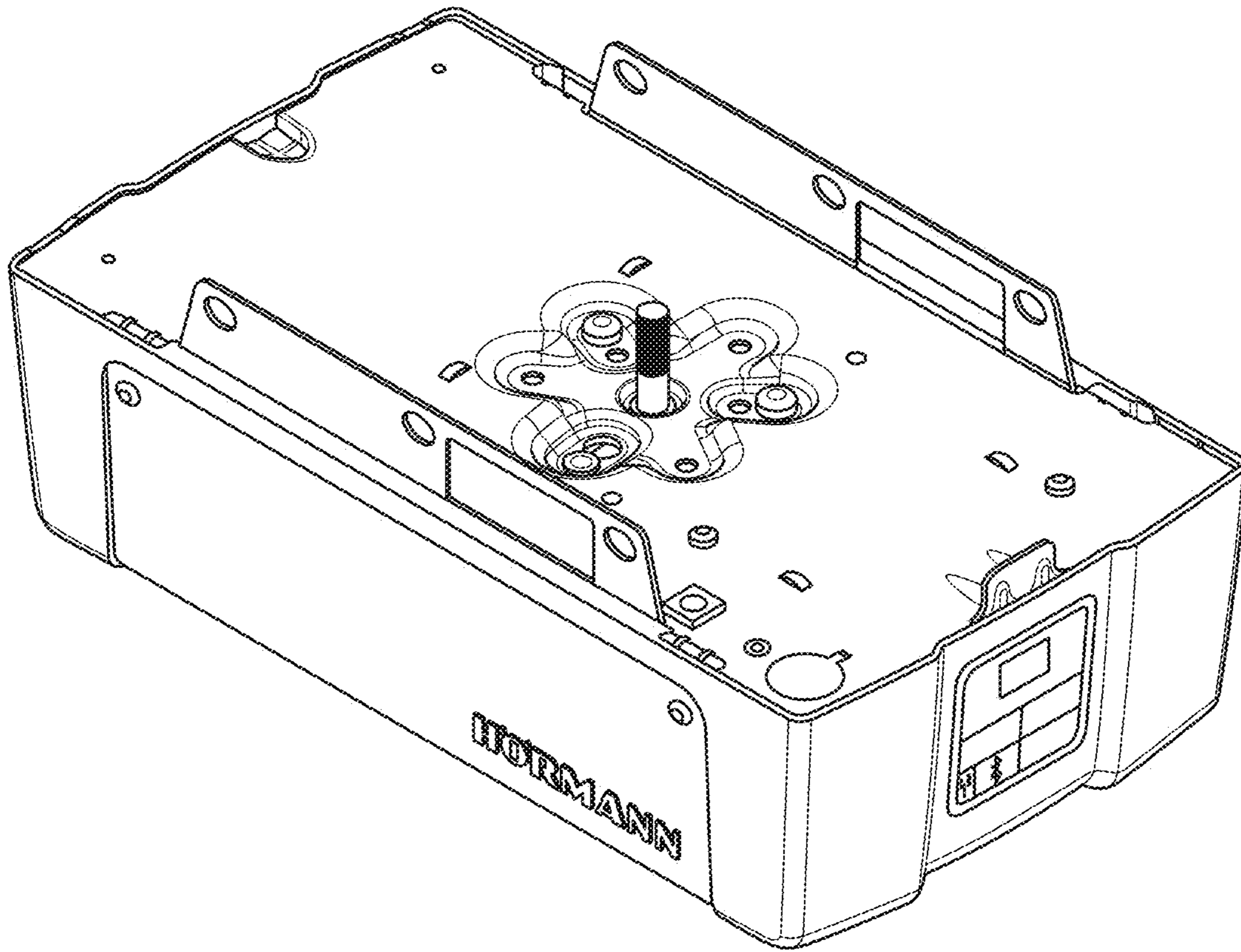


FIG. 5

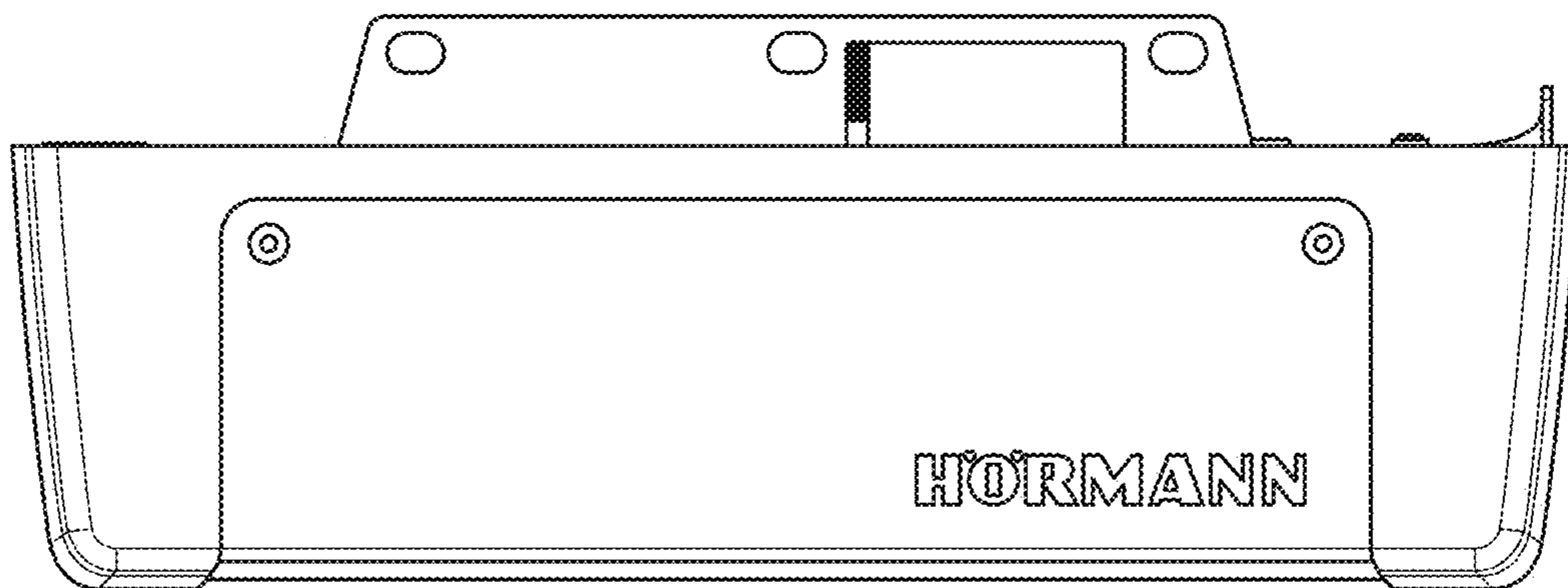


FIG. 6

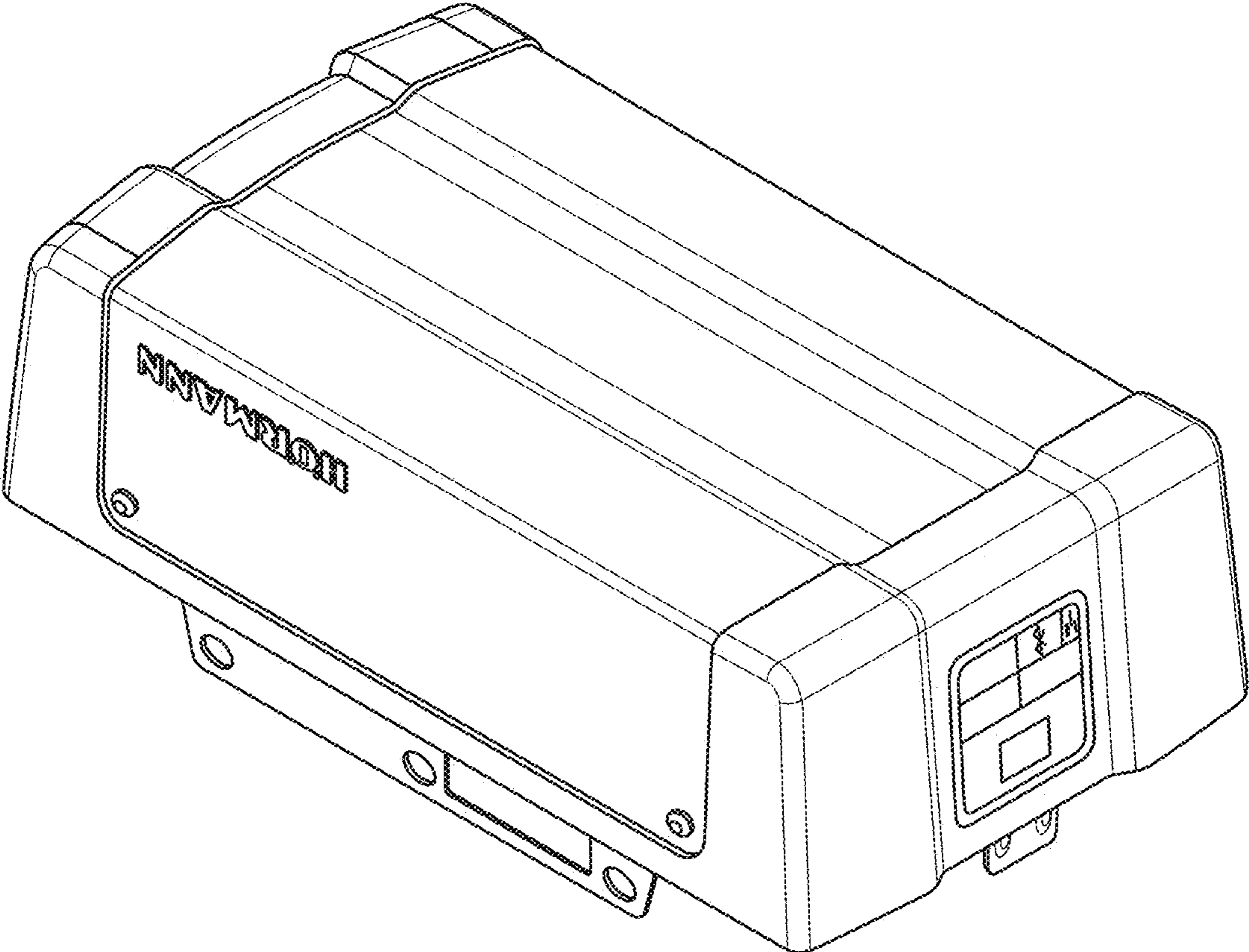


FIG. 7