



US00D954113S

(12) **United States Design Patent**
Lonati et al.

(10) **Patent No.:** **US D954,113 S**
(45) **Date of Patent:** **** Jun. 7, 2022**

(54) **TEXTILE MACHINE**

(56) **References Cited**

(71) Applicant: **SANTONI S.P.A.**, Brescia (IT)

U.S. PATENT DOCUMENTS

(72) Inventors: **Ettore Lonati**, Botticino (IT); **Fausto Lonati**, Brescia (IT); **Andrea Lonati**, Brescia (IT)

999,853 A * 8/1911 Paquette D04B 9/20
66/42 R
1,120,578 A * 12/1914 Williams D04B 9/06
66/15
2,082,642 A * 6/1937 Lawson D04B 15/34
66/108 R
2,495,872 A * 1/1950 Stibbe D04B 15/327
66/27

(73) Assignee: **SANTONI S.P.A.**, Brescia (IT)

(Continued)

(**) Term: **15 Years**

FOREIGN PATENT DOCUMENTS

(21) Appl. No.: **29/716,850**

EM 006576351-0001 * 6/2019
EM 006576351-0002 * 6/2019

(Continued)

(22) Filed: **Dec. 12, 2019**

OTHER PUBLICATIONS

(30) **Foreign Application Priority Data**

European Patent Application [online] URL: <https://data.epo.org/publication-server/document?iDocId=2012901&iFormat=2> (visited Jul. 22, 2021) (Year: 2001).*

Jun. 12, 2019 (EM) 006576351-0001
Jun. 12, 2019 (EM) 006576351-0002

(Continued)

(51) **LOC (13) Cl.** **15-06**

Primary Examiner — Jae Liang

(52) **U.S. Cl.**

Assistant Examiner — Tia Ruth-Renee Polidori

USPC **D15/66**; D15/72

(74) *Attorney, Agent, or Firm* — MH2 Technology Law Group LLP

(58) **Field of Classification Search**

USPC D15/66–78; D66/8, 151, 108 R, 17, D66/178 R, 57, 104, 125 R, 20, 64, 13, D66/132 R, 14, 140 S, 145 R, 148, 149 R, D66/153, 222; 66/8, 151, 108 R, 17, 66/178 R, 57, 104, 125 R, 20, 64, 13, 66/132 R, 14, 140 S, 145 R, 148, 149 R, 66/153, 222

(57) **CLAIM**

CPC . D04B 13/00; D04B 13/02; D04B 9/00–9/58; D04B 15/06; D04B 15/14; D04B 15/88; D04B 15/94; D05B 1/00–25/00; D03D 49/12; D03D 49/16

The ornamental design for a textile machine, as shown and described.

DESCRIPTION

FIG. 1 is a perspective view of a textile machine;
FIG. 2 is a front elevational view thereof;
FIG. 3 is a rear elevational view thereof;
FIG. 4 is a top plan view thereof;

See application file for complete search history.

(Continued)

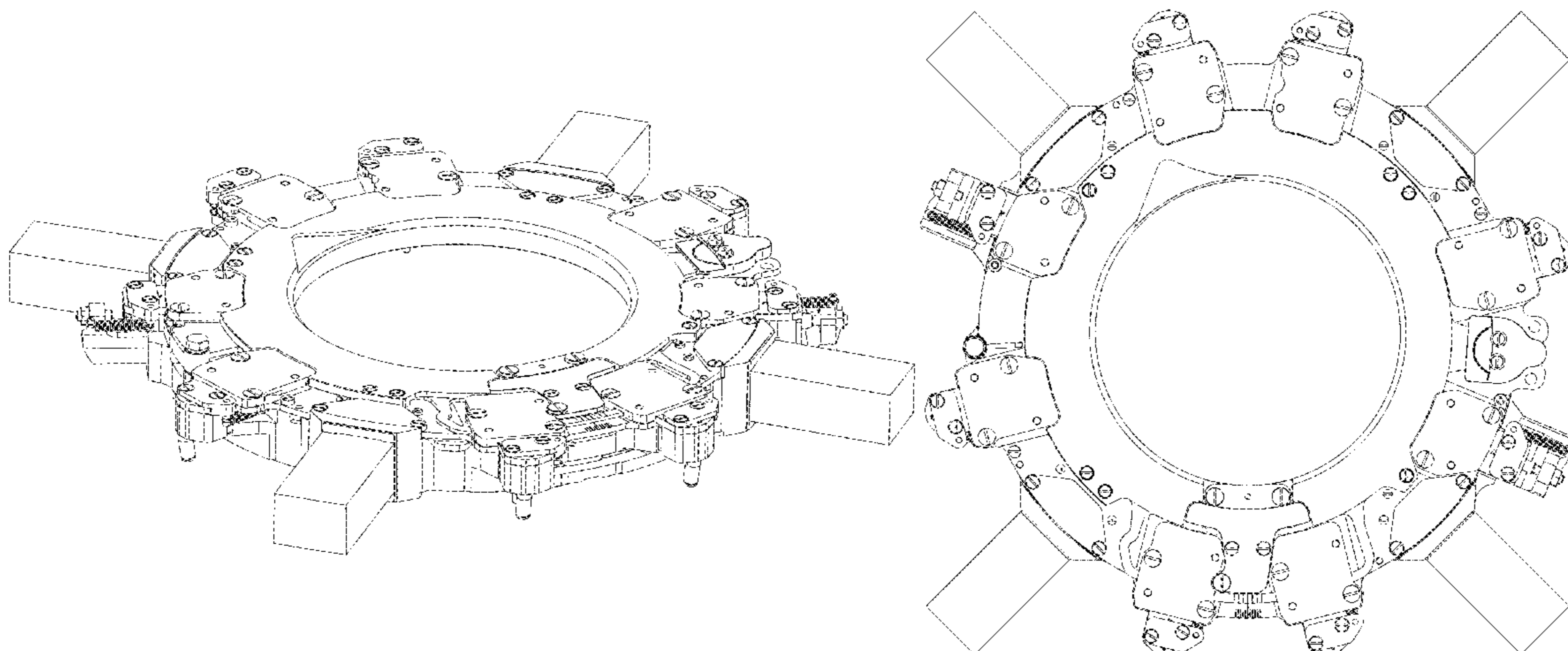


FIG. 5 is a bottom plan view thereof;
 FIG. 6 is a left-side elevational view thereof; and,
 FIG. 7 is a right-side elevational view thereof.
 The broken lines in the drawings depict portions of the
 textile machine that form no part of the claimed design.

1 Claim, 7 Drawing Sheets

3,979,928	A *	9/1976	Atwater	D04B 15/08
					66/107
3,991,591	A *	11/1976	Cotte	D04B 15/74
					66/231
4,843,843	A *	7/1989	Rovinsky	D04B 35/32
					66/168
5,363,786	A *	11/1994	Hampel	B65H 59/16
					112/255
10,392,732	B2 *	8/2019	Lonati	D04B 15/34
D893,554	S *	8/2020	Lonati	D15/66
11,050,311	B2 *	6/2021	Chan	H02K 5/20
2004/0099329	A1 *	5/2004	Klauri	D03D 47/361
					139/448

(56)

References Cited

U.S. PATENT DOCUMENTS

3,224,230	A *	12/1965	Martis	D04B 15/61
					66/145 R
3,296,836	A *	1/1967	Billi	D04B 15/58
					66/138
3,399,551	A *	9/1968	Billi	D04B 9/46
					66/225
3,457,734	A *	7/1969	Millar	D04B 15/78
					66/42 R
3,495,422	A *	2/1970	Miller	D04B 9/14
					66/9 B
3,670,675	A *	6/1972	Rovin	D05B 25/00
					112/470.09
3,783,645	A *	1/1974	Bianchi	D04B 15/34
					66/108 R
3,896,636	A *	7/1975	Thore	D04B 1/025
					66/9 B

FOREIGN PATENT DOCUMENTS

EM	006583290-0013	*	7/2019
GB	9006576351-0001	*	6/2019
GB	9006576351-0002	*	6/2019
GB	9006583290-0013	*	6/2019

OTHER PUBLICATIONS

Cyclopedia of Textile [online] URL:<https://www.alamy.com/cyclopedia-of-textile-work> (complete URL on copy) (visited Jul. 22, 2021) (Year: 2021).*

Modified Yarn Guide [online] URL: https://www.researchgate.net/figure/nsertion-of-the-E-yarn-core-into-a-knitted-sheath-with-the-addition-of-packing-fibres-a_fig8_331499595 (visited Jul. 22, 2021) (Year: 2021).*

* cited by examiner

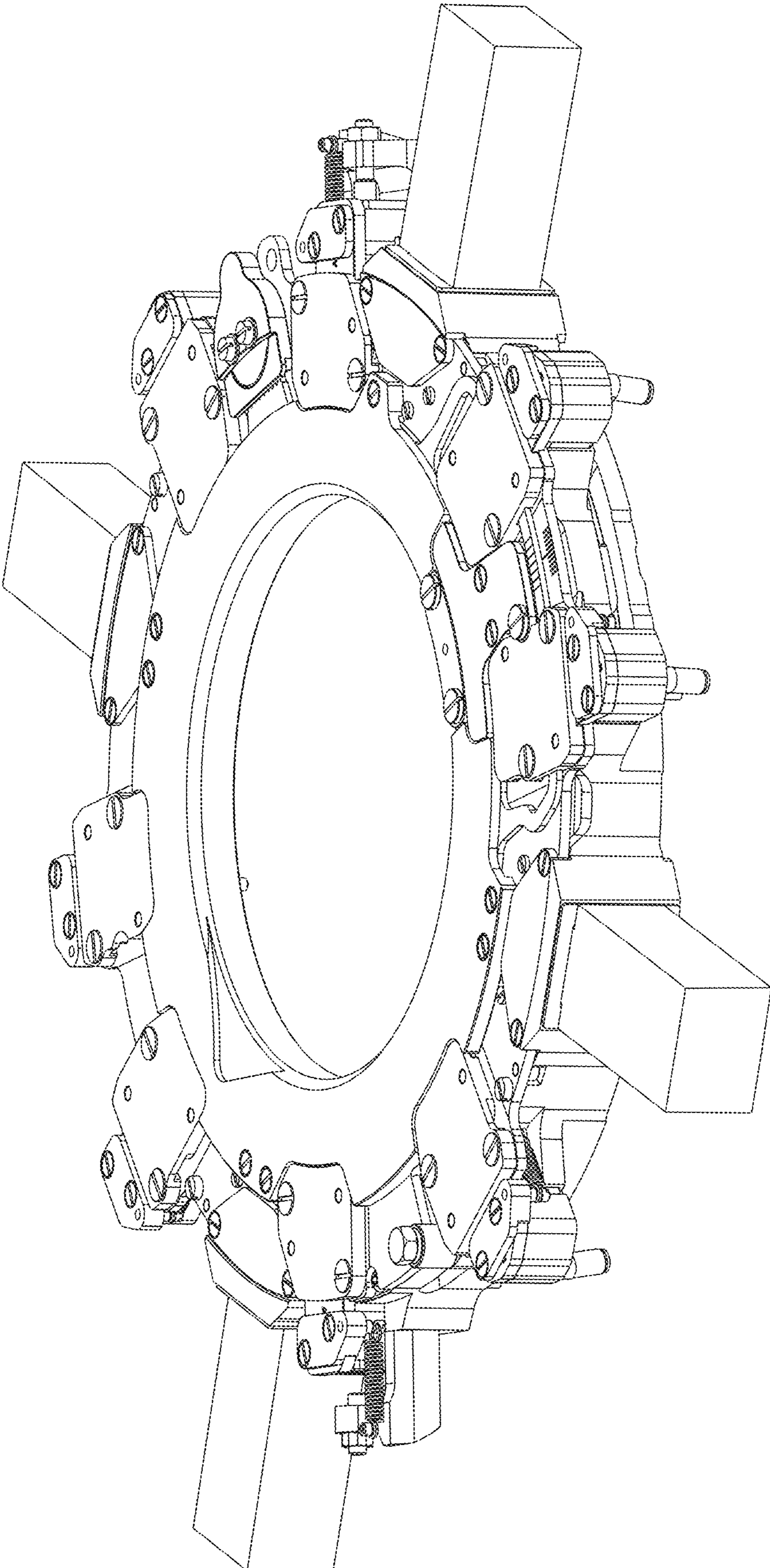


FIG. 1

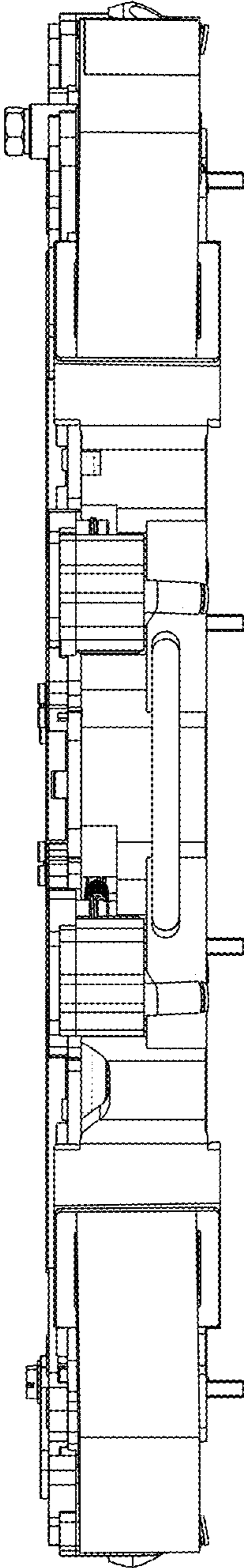


FIG. 2

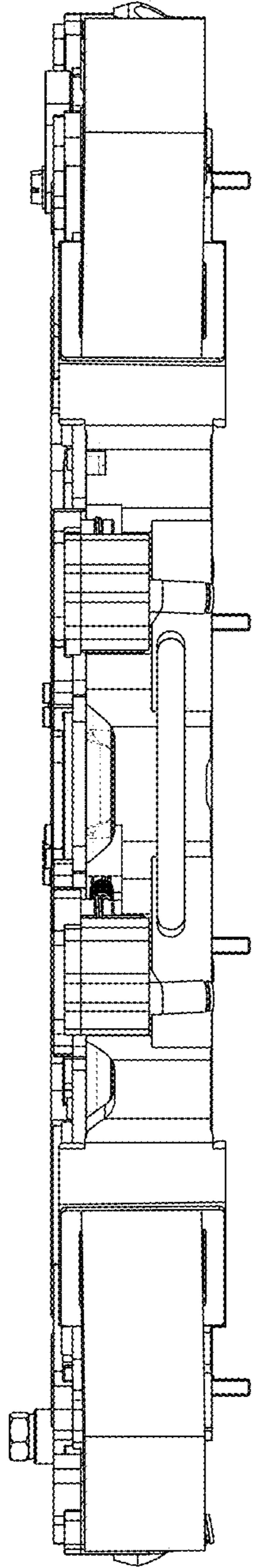


FIG. 3

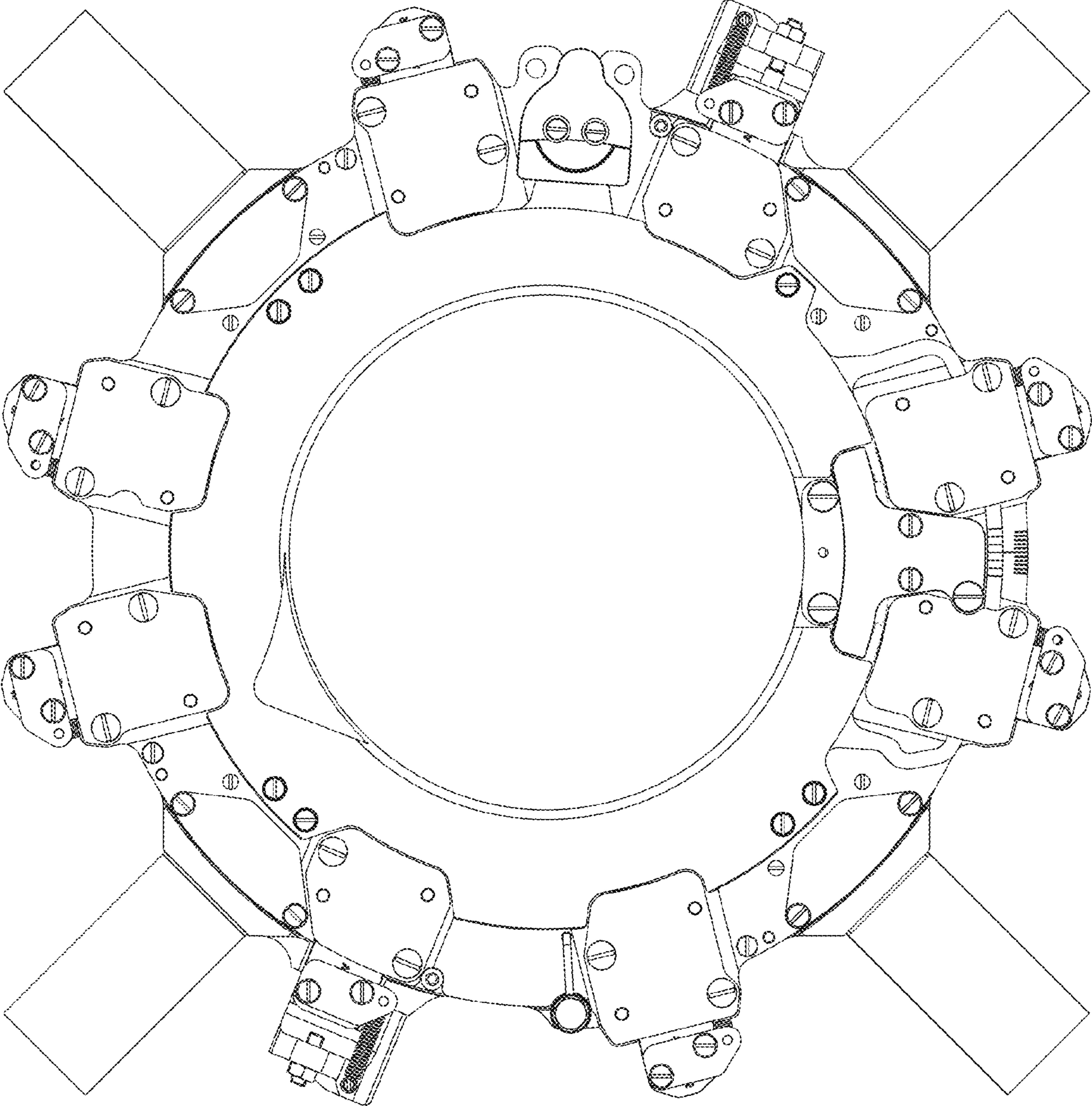


FIG. 4

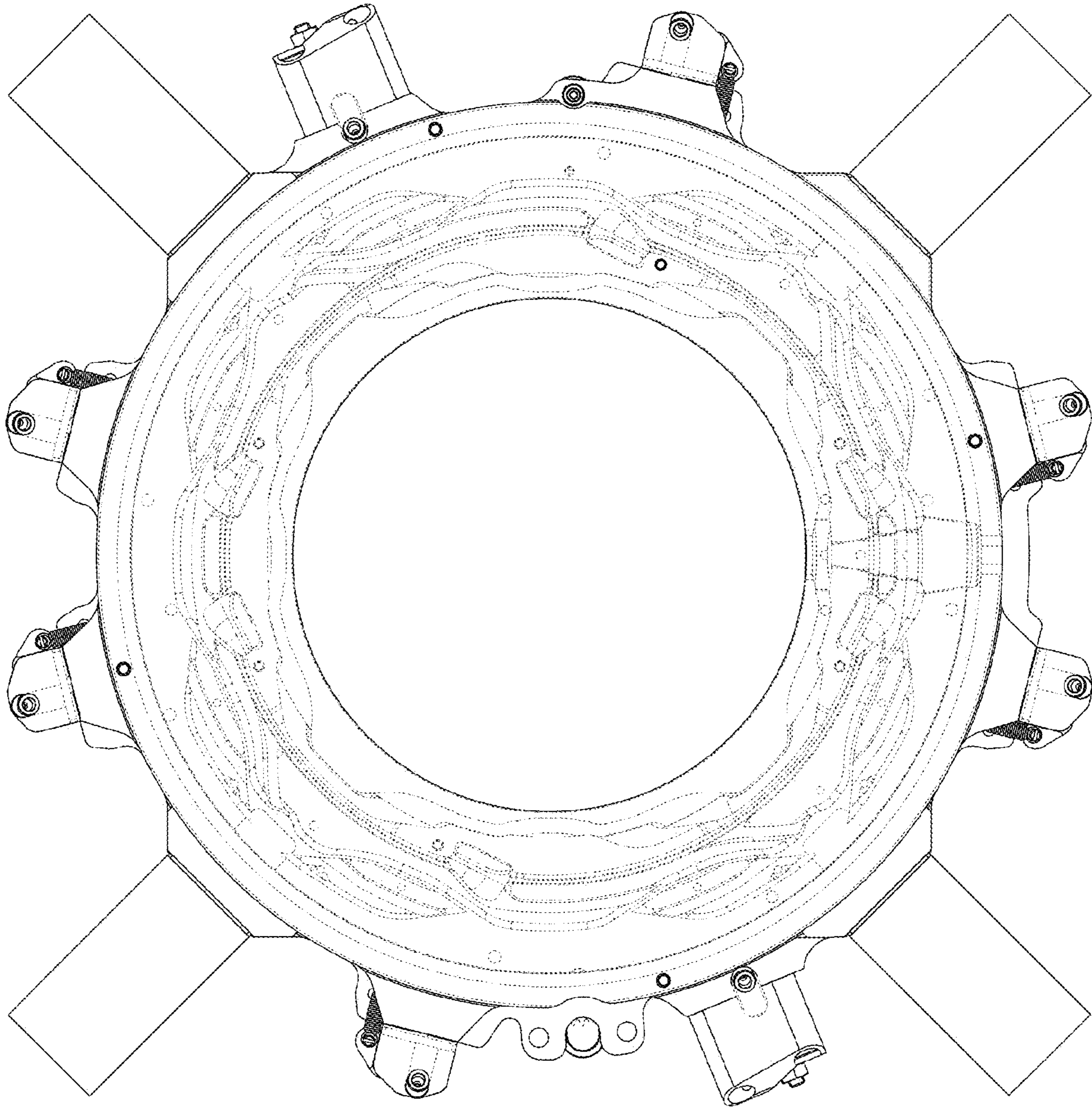


FIG. 5

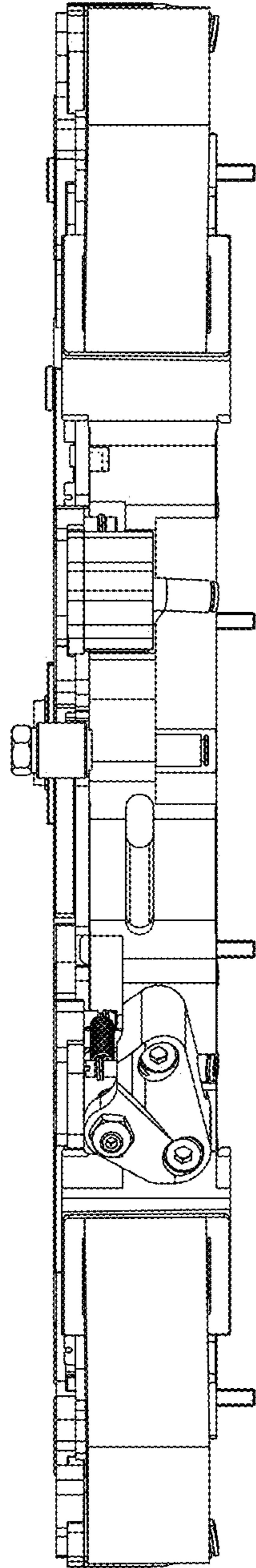


FIG. 6

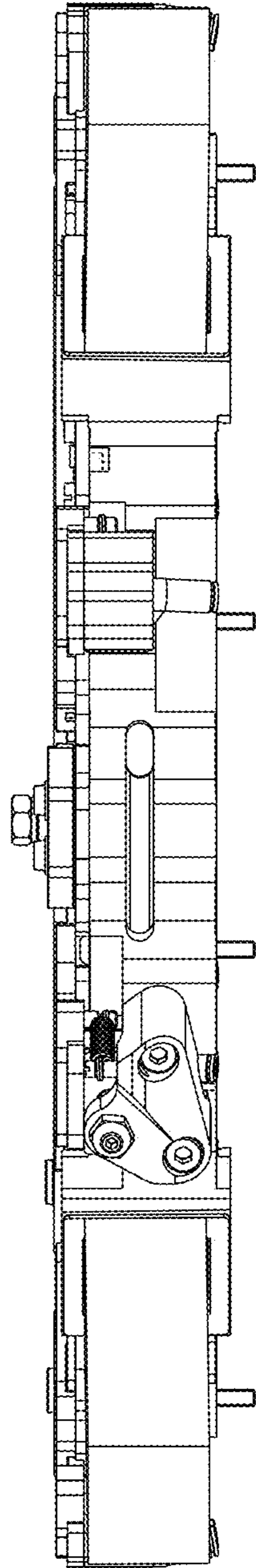


FIG. 7