



US00D954112S

(12) **United States Design Patent** (10) **Patent No.:** **US D954,112 S**  
**De Camargo et al.** (45) **Date of Patent:** **\*\* Jun. 7, 2022**

(54) **HEADER FOR A SUGARCANE HARVESTER**

(71) Applicant: **CNH Industrial America LLC**, New Holland, PA (US)

(72) Inventors: **Jean Carlos Pereira De Camargo**, Piracicaba (BR); **Alan Patrick Dos Santos**, Sarzedo (BR); **Nicholas Stephen Shane**, Bennett, IA (US); **Daenio Cleodolphi**, Piracicaba (BR)

(73) Assignee: **CNH Industrial America LLC**, New Holland, PA (US)

(\*\*) Term: **15 Years**

(21) Appl. No.: **29/767,679**

(22) Filed: **Jan. 25, 2021**

(30) **Foreign Application Priority Data**

Jul. 24, 2020 (BR) ..... 30 2020 003203 9

(51) **LOC (13) Cl.** ..... **15-03**

(52) **U.S. Cl.**  
USPC ..... **D15/28**

(58) **Field of Classification Search**  
USPC ..... D15/28  
CPC ..... A01D 45/00; A01D 45/10; A01D 63/02;  
A01D 65/00; A01D 67/00  
See application file for complete search history.

(56) **References Cited**

**U.S. PATENT DOCUMENTS**

- 4,408,441 A \* 10/1983 Willett ..... A01D 45/10  
56/14.3
- 4,470,244 A \* 9/1984 Leigers ..... A01D 63/02  
56/13.9
- 4,512,142 A \* 4/1985 Landry ..... A01D 45/10  
56/13.9

- 4,646,512 A \* 3/1987 Scott ..... A01D 45/10  
56/13.9
- 4,722,174 A \* 2/1988 Landry ..... A01D 45/10  
56/119
- 5,816,036 A \* 10/1998 Caillouet ..... A01D 45/10  
56/63
- 10,143,137 B2 \* 12/2018 Craig ..... A01D 47/00
- 2014/0165522 A1 \* 6/2014 Braunbeck ..... A01D 45/10  
56/10.6
- 2016/0135365 A1 \* 5/2016 Cleodolphi ..... A01D 34/006  
56/10.2 E
- 2017/0251601 A1 \* 9/2017 Dugas ..... A01F 12/444
- 2017/0280626 A1 \* 10/2017 Bertino ..... A01D 75/28
- 2018/0338423 A1 \* 11/2018 Lucca ..... A01D 41/127
- 2018/0338426 A1 \* 11/2018 Seki ..... A01D 67/00
- 2019/0037770 A1 \* 2/2019 Dugas ..... A01F 12/444
- 2020/0128742 A1 \* 4/2020 Richard ..... A01D 63/02
- 2021/0000010 A1 \* 1/2021 Gunda ..... A01B 79/005
- 2021/0204478 A1 \* 7/2021 Lucca ..... A01D 41/127
- 2021/0219494 A1 \* 7/2021 Lawn ..... A01D 45/10
- 2021/0329840 A1 \* 10/2021 Craig ..... A01D 61/02

\* cited by examiner

*Primary Examiner* — Mark A Goodwin

(74) *Attorney, Agent, or Firm* — Peter Zacharias; Patrick Sheldrake

(57) **CLAIM**

The ornamental design for a header for a sugarcane harvester, as shown and described.

**DESCRIPTION**

FIG. 1 is a perspective view of a header of a sugarcane harvester of the present design.

FIG. 2 is a front view of the header of FIG. 1.1.

FIG. 3 is a rear view of the header of FIG. 1.1.

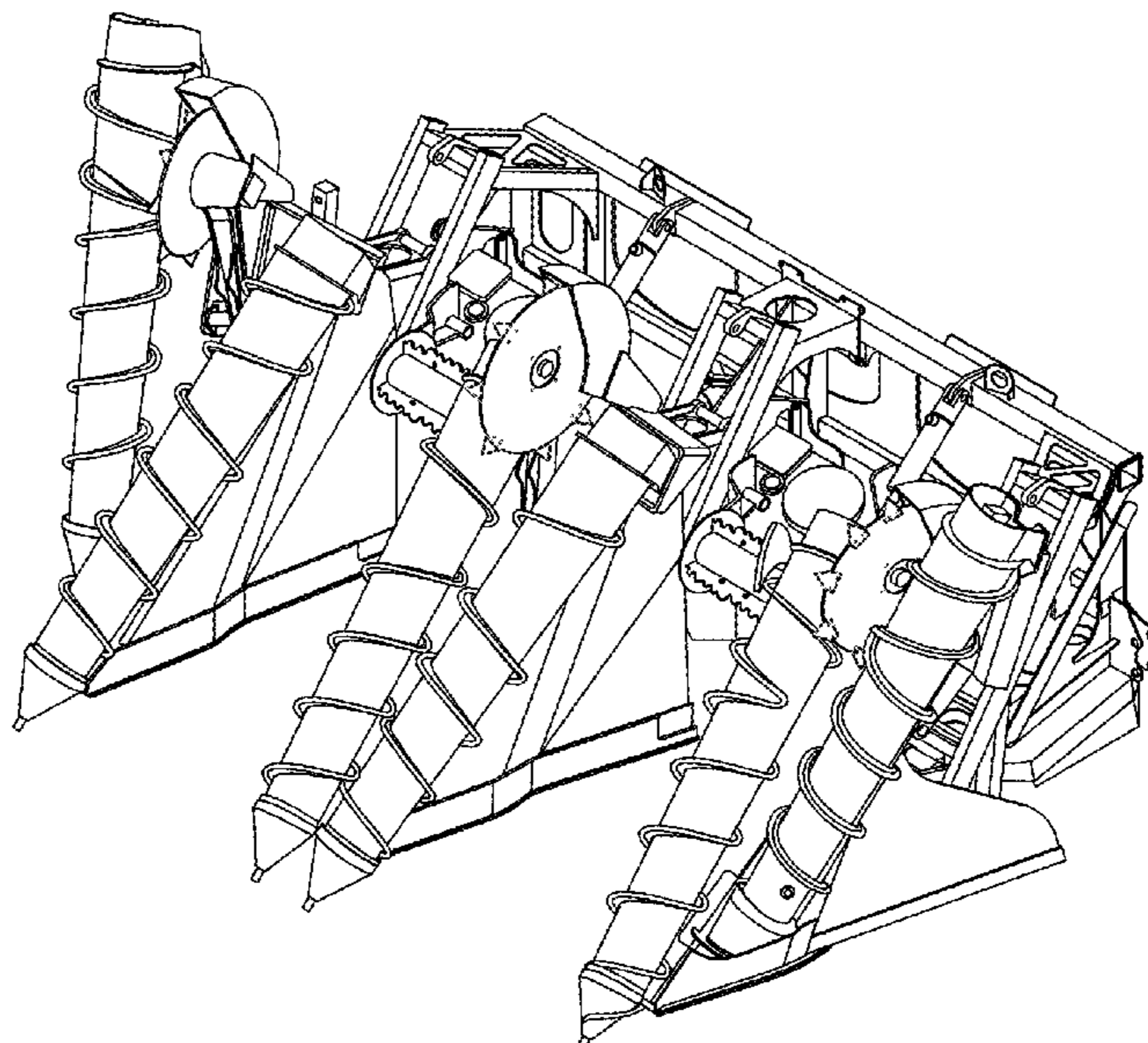
FIG. 4 is a right side view of the header of FIG. 1.1.

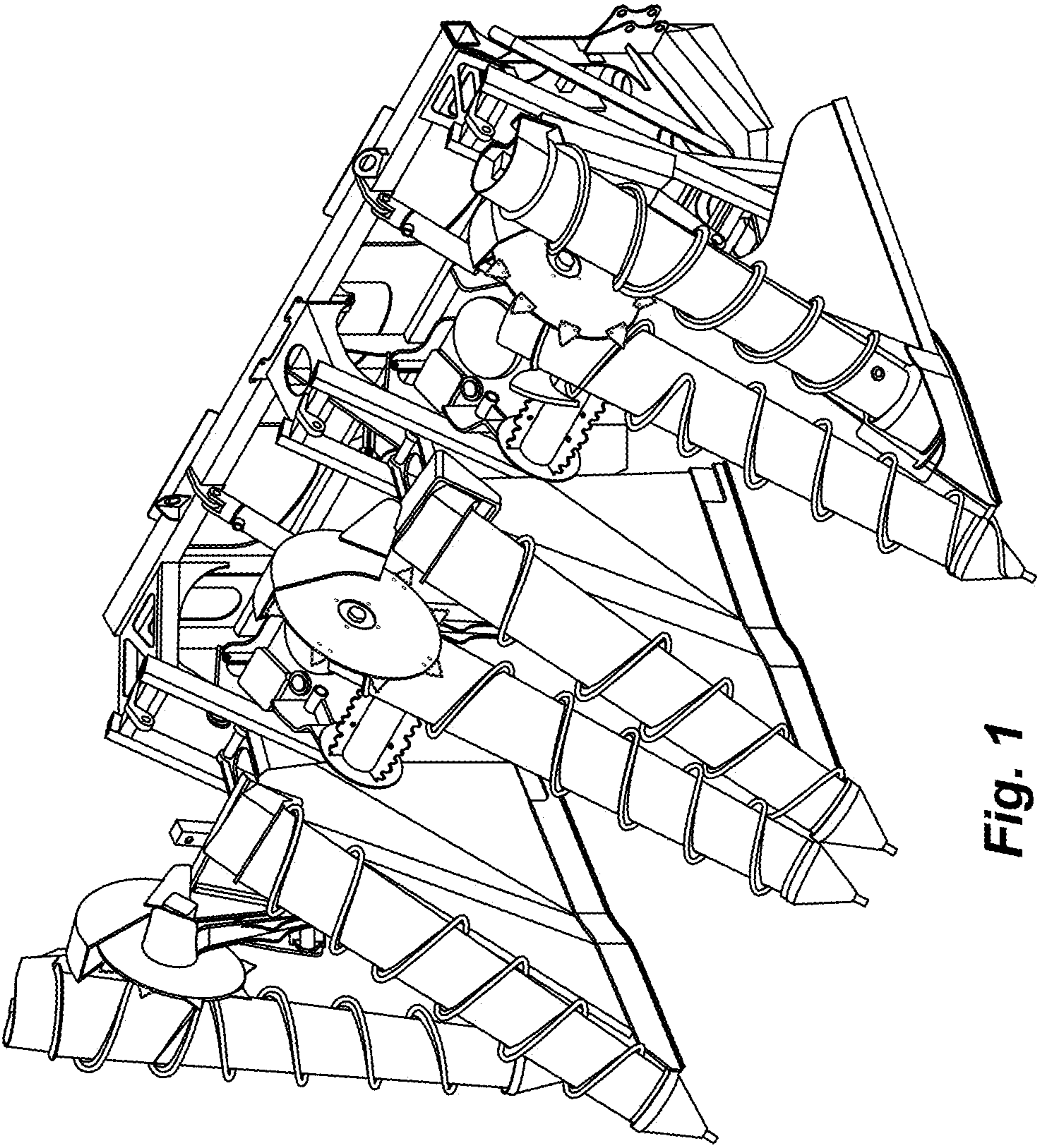
FIG. 5 is a left side view of the header of FIG. 1.1.

FIG. 6 is a top view of the header of FIG. 1.1; and,

FIG. 7 is a bottom view of the header of FIG. 1.1.

**1 Claim, 7 Drawing Sheets**





**Fig. 1**



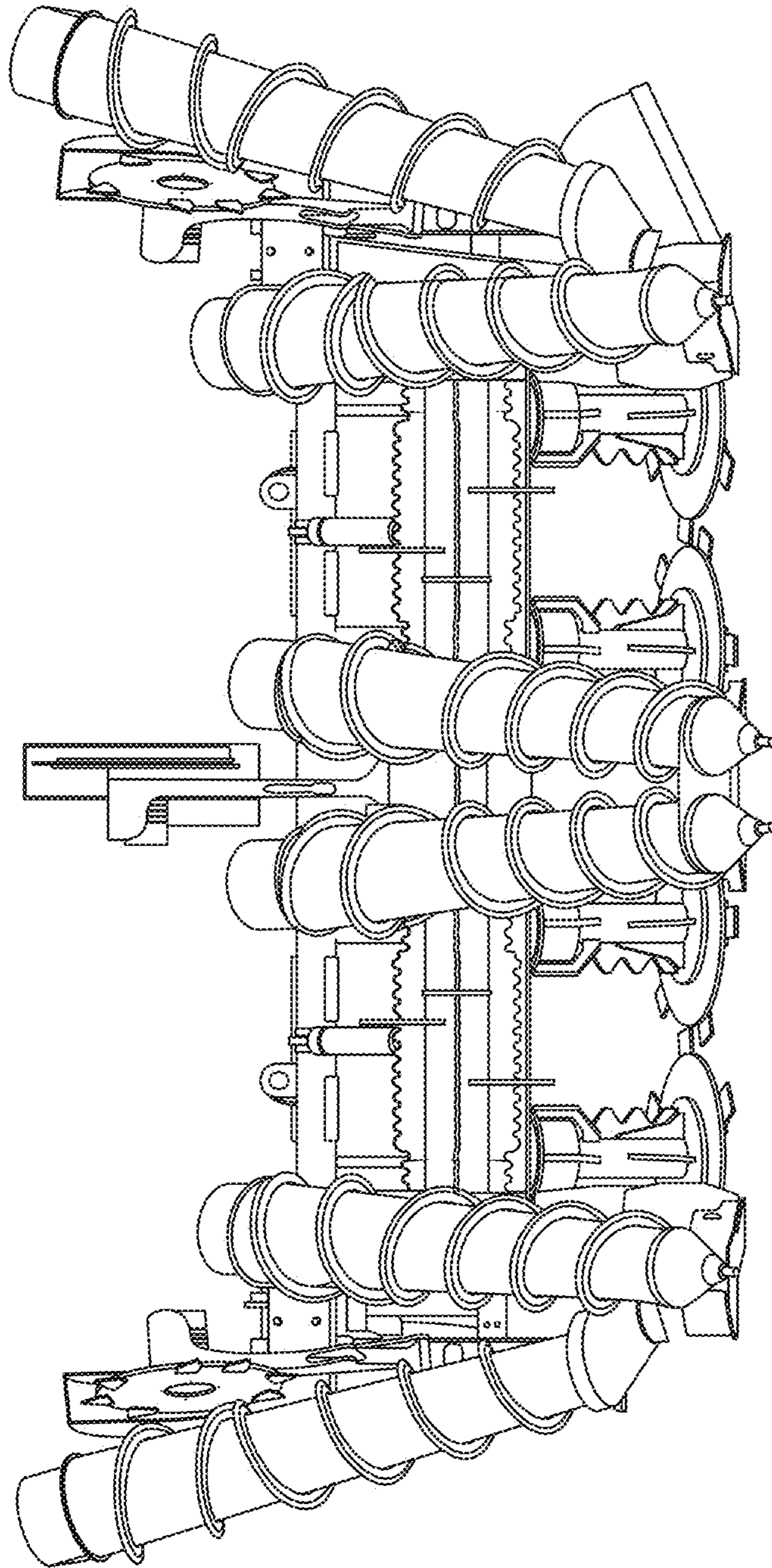


Fig. 2

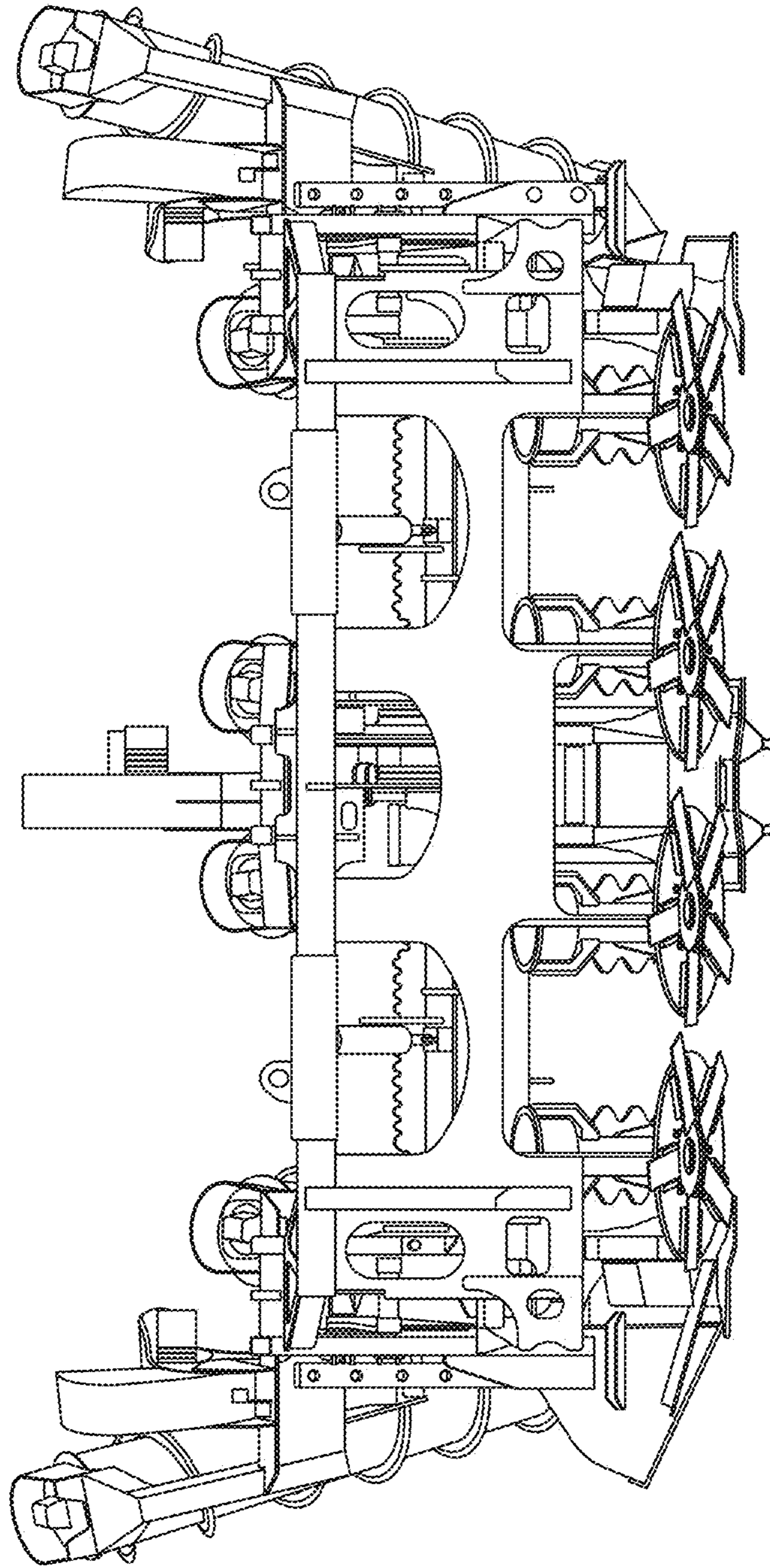


Fig. 3

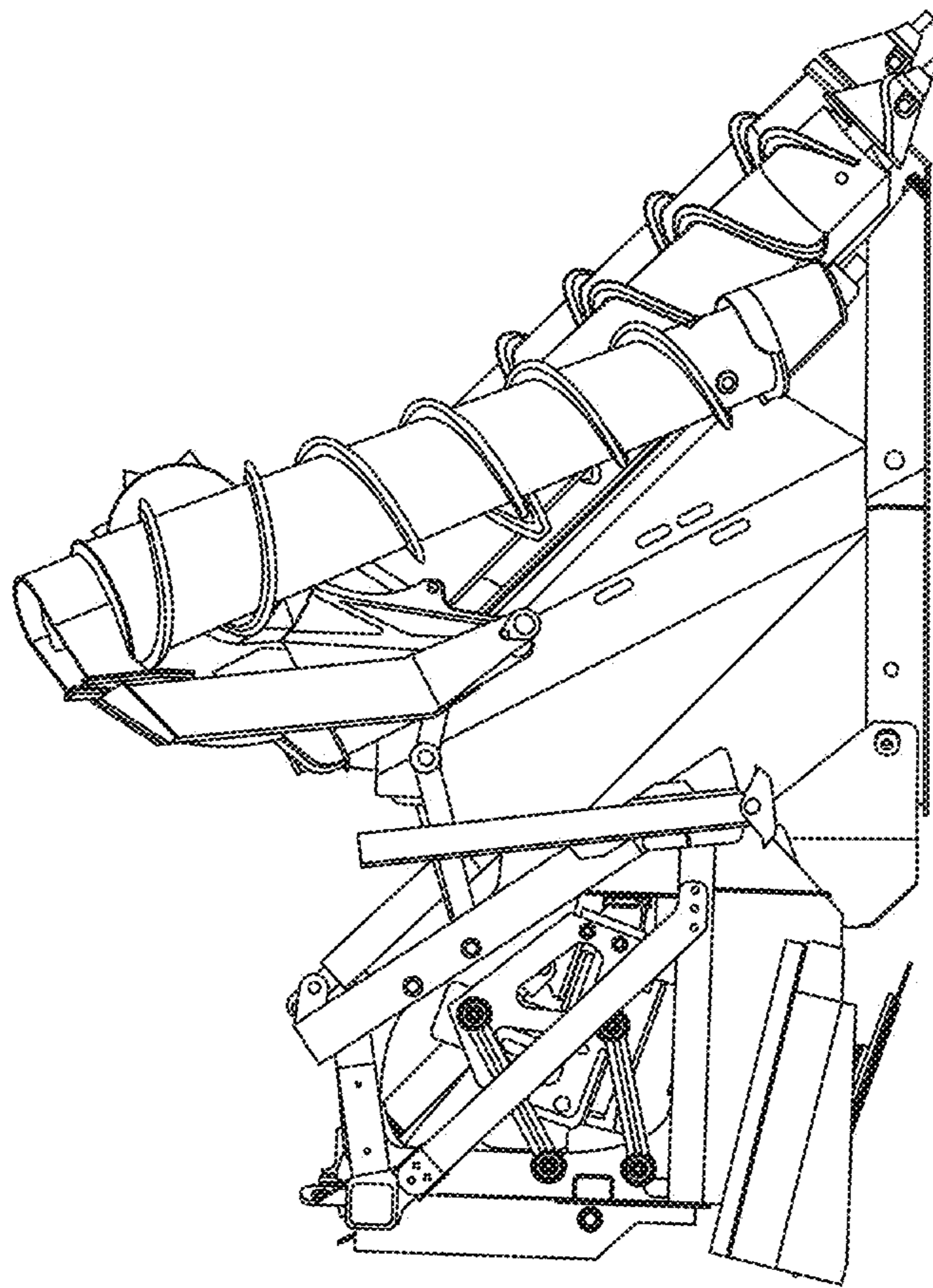


Fig. 4



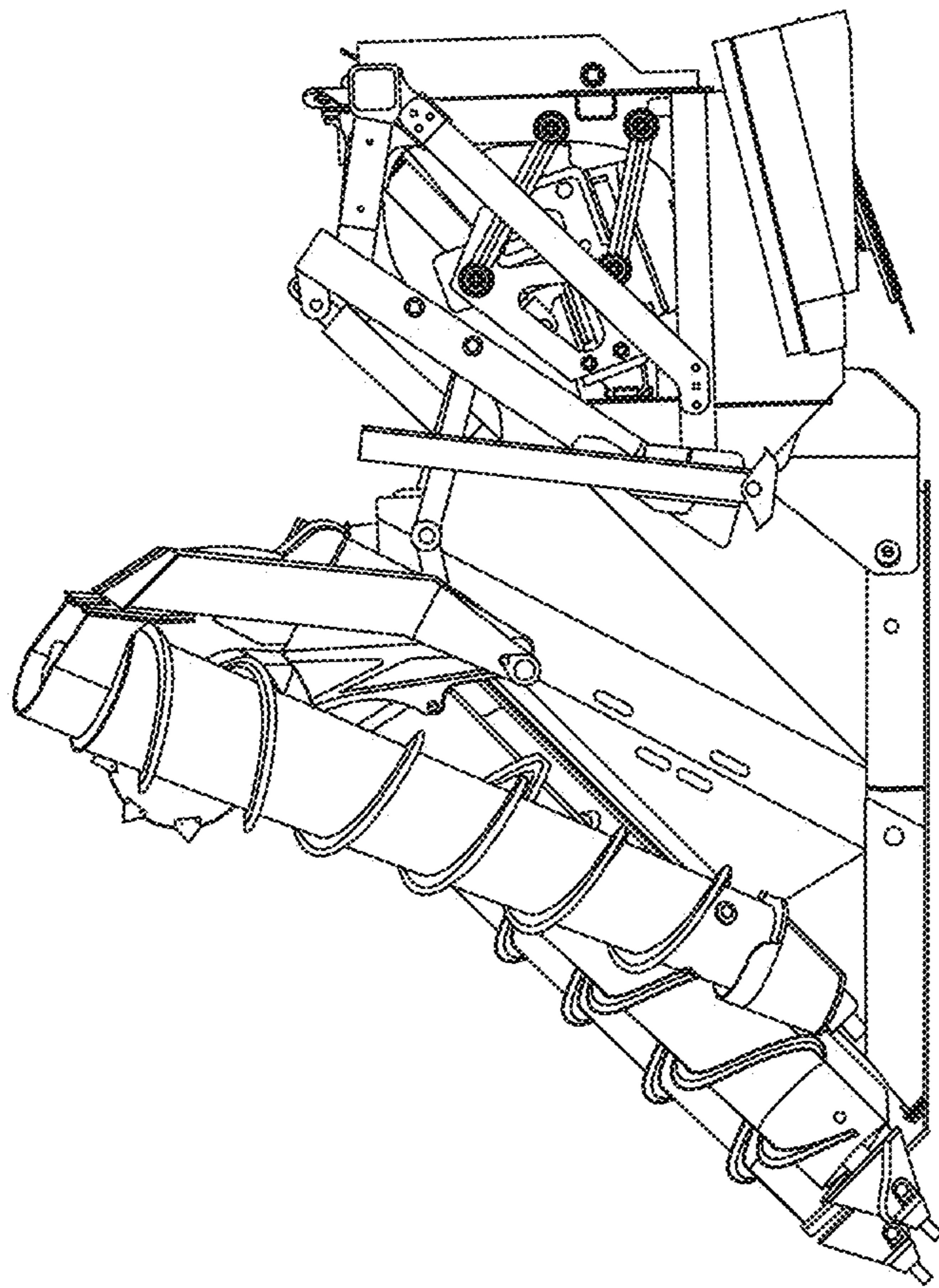
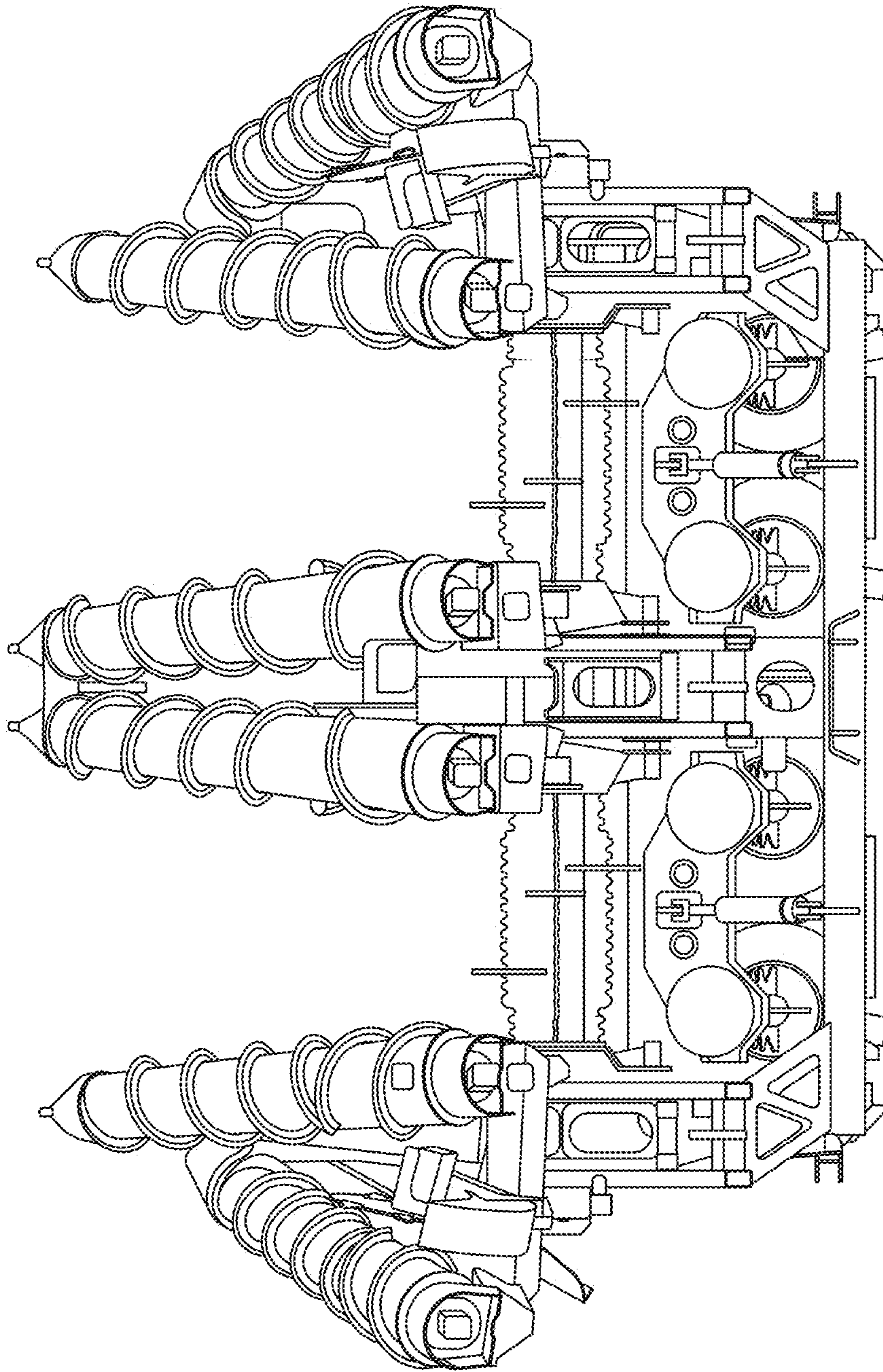


Fig. 5



**Fig. 6**

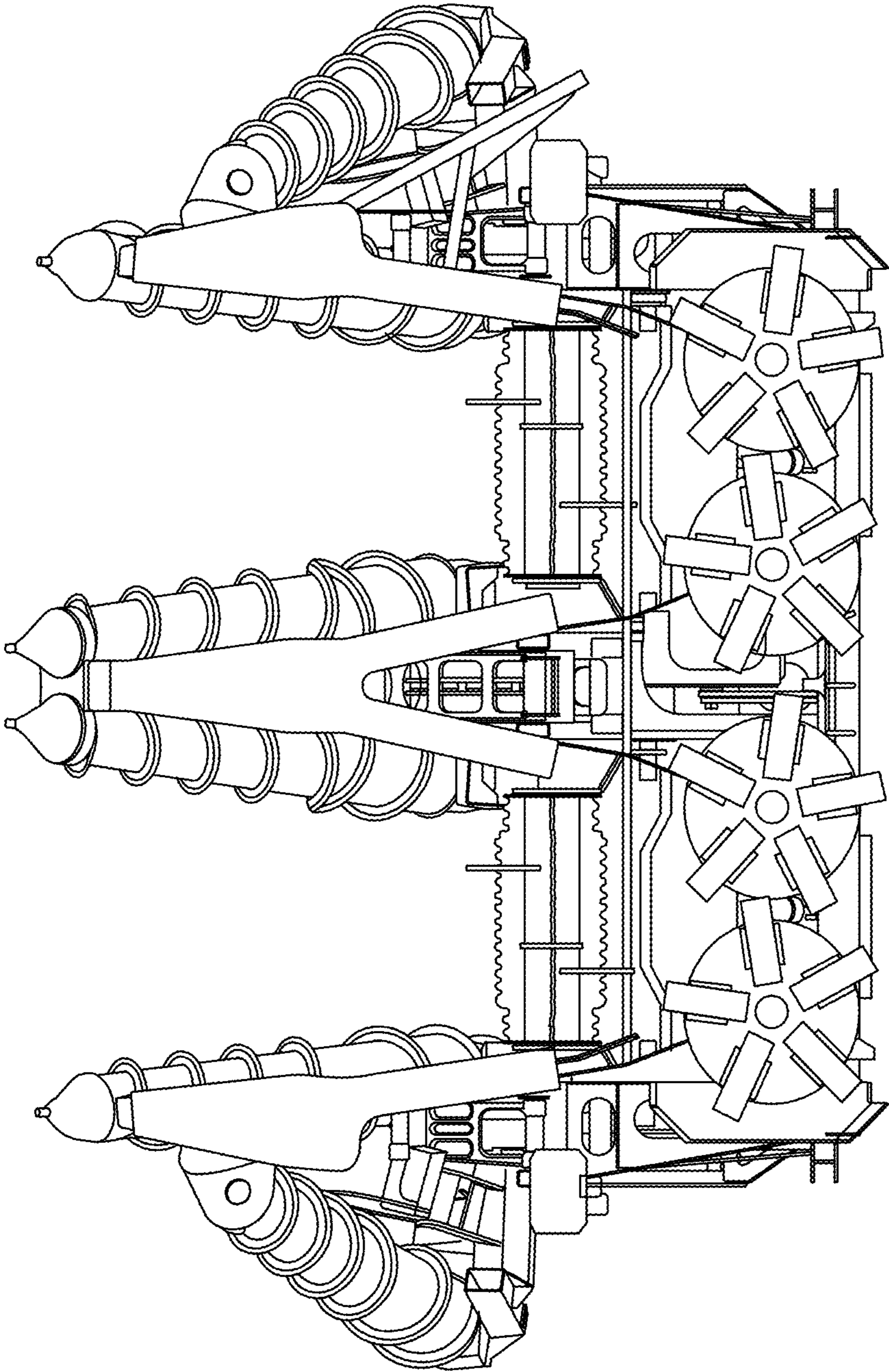


Fig. 7