



US00D954111S

(12) **United States Design Patent** (10) **Patent No.:** **US D954,111 S**
Torimoto et al. (45) **Date of Patent:** **** Jun. 7, 2022**

(54) **SUBMERSIBLE PUMP**

(56) **References Cited**

(71) Applicant: **TSURUMI MANUFACTURING CO., LTD.**, Osaka (JP)

U.S. PATENT DOCUMENTS

(72) Inventors: **Yasushi Torimoto**, Yawata (JP); **Hisakazu Shinya**, Yonago (JP); **Yutaka Terada**, Yawata (JP)

D372,719	S	*	8/1996	Jensen	D15/7
D395,317	S	*	6/1998	Karlsson	D15/7
6,641,140	B1	*	11/2003	Matsumoto	F16J 15/3484 277/408
6,821,416	B1	*	11/2004	Kelly	A01K 63/00 415/110
D567,189	S	*	4/2008	Stiles, Jr.	D13/164
D590,420	S	*	4/2009	Casalini	D15/7
D667,845	S	*	9/2012	Moysi	D15/7
D700,213	S	*	2/2014	Taniguchi	D15/7
D700,214	S	*	2/2014	Taniguchi	D15/7
D700,624	S	*	3/2014	Taniguchi	D15/7
D809,021	S	*	1/2018	Lüke	D15/7
D893,552	S	*	8/2020	Mayleben	D15/7
D926,821	S	*	8/2021	Bookout	D15/7
D946,627	S	*	3/2022	Wang	D15/7
D948,578	S	*	4/2022	Varini	D15/7
2020/0360961	A1	*	11/2020	Tanaka	B05B 17/08

(**) Term: **15 Years**

(21) Appl. No.: **35/511,051**

(22) Filed: **Sep. 30, 2020**

(80) **Hague Agreement Data**

Int. Filing Date: **Sep. 30, 2020**

Int. Reg. No.: **DM/211761**

Int. Reg. Date: **Sep. 30, 2020**

Int. Reg. Pub. Date: **Dec. 25, 2020**

(30) **Foreign Application Priority Data**

Jul. 10, 2020 (JP) 2020-014165

Jul. 10, 2020 (JP) 2020-014166

Jul. 10, 2020 (JP) 2020-014167

(51) **LOC (13) Cl.** **15-02**

(52) **U.S. Cl.**

USPC **D15/7**

CPC **F04D 3/00 (2013.01)**

(58) **Field of Classification Search**

USPC D15/7-9, 21, 199; D23/206, 213, 214,
D23/225, 231, 232, 387, 421

CPC F04D 15/0088; F04D 15/0066; F04D
15/0245; F04D 3/00; F04D 3/005; F04D
3/02; F04D 13/06; F04D 29/041; F04D
29/22; F04D 29/60; F04D 29/605; F04B
2203/0208; F04B 17/03; F04B 17/046;
F04B 17/048; F04B 35/04; F04B 43/04;
F04B 43/043

See application file for complete search history.

* cited by examiner

Primary Examiner — Richard E Chilcot

(57) **CLAIM**

The ornamental design for a submersible pump, as shown and described.

DESCRIPTION

1. Submersible pump

1.1 : Perspective

1.2: Top

1.3 : Bottom

1.4 : Front

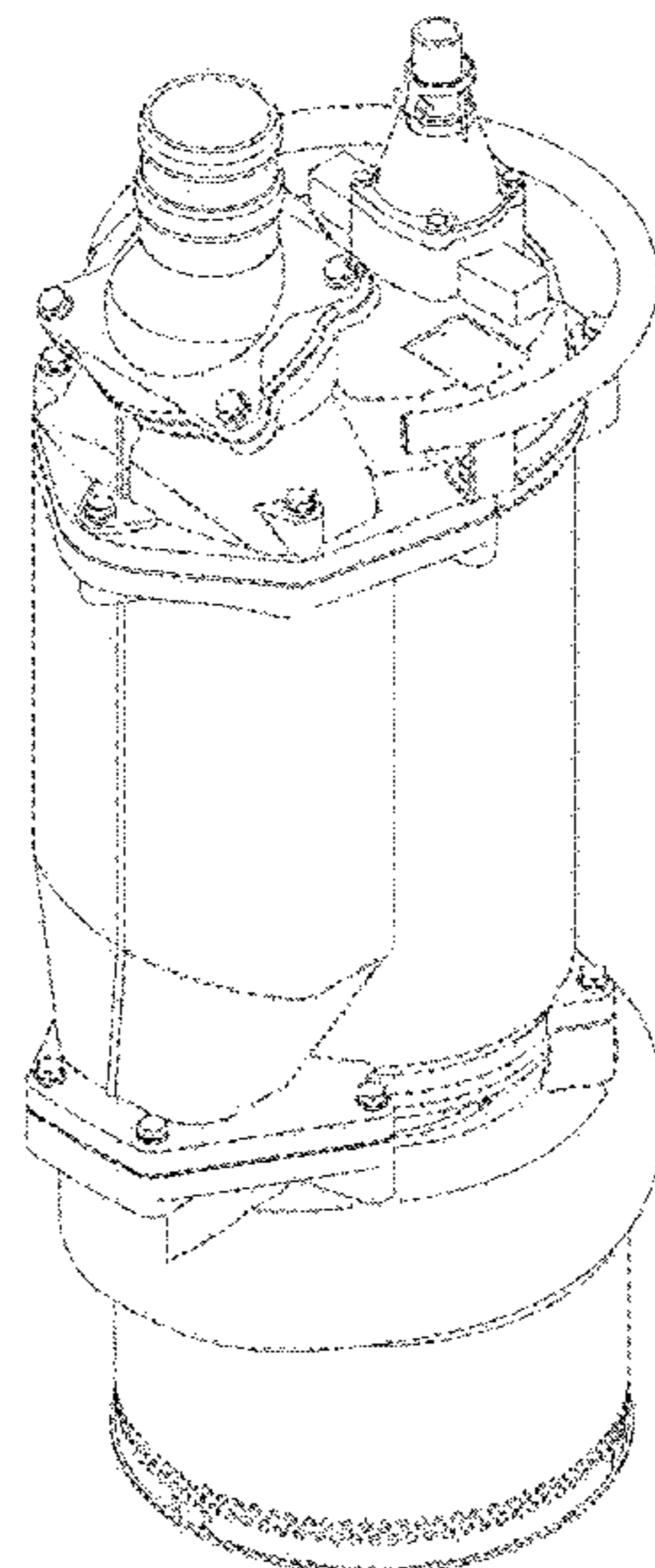
1.5: Back

1.6 : Left

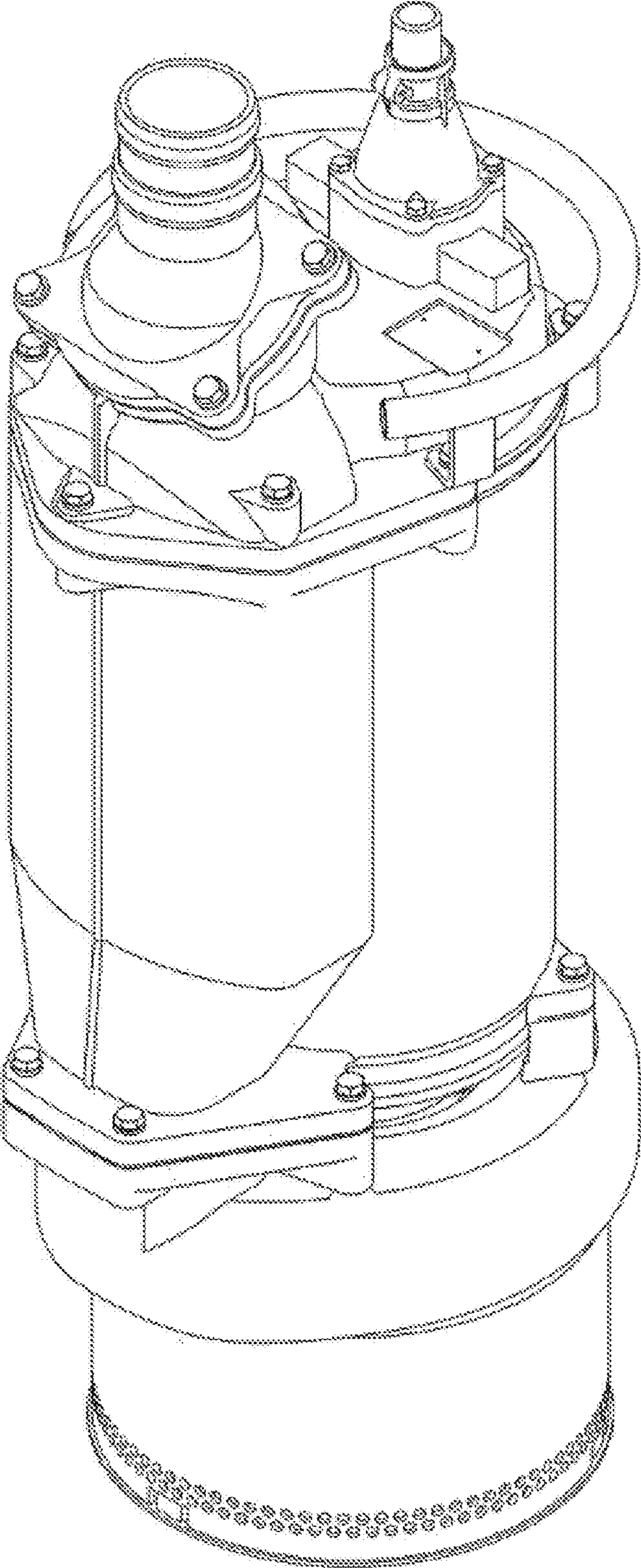
1.7: Right

Design 1 is a design of the submersible pump.

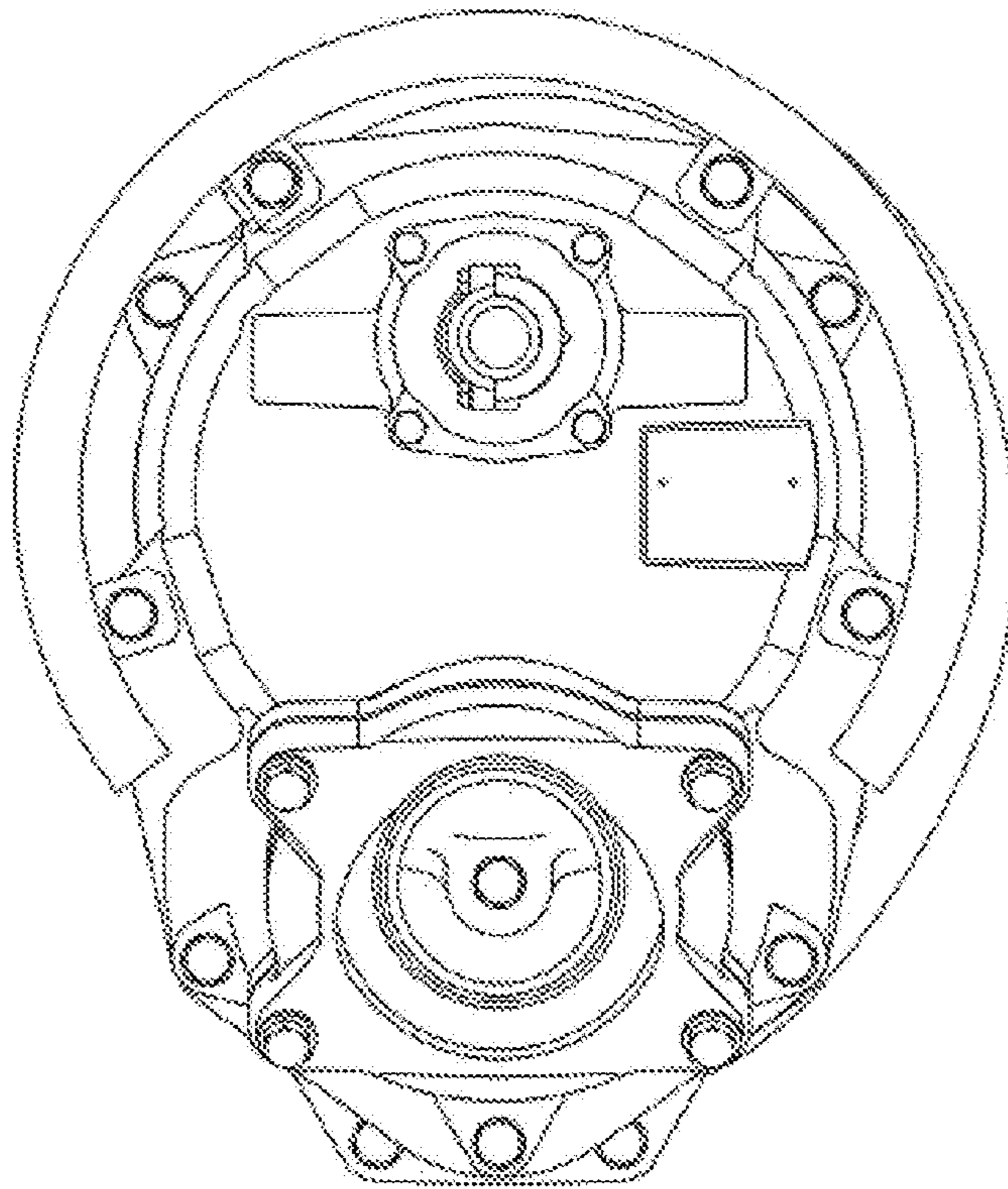
1 Claim, 7 Drawing Sheets



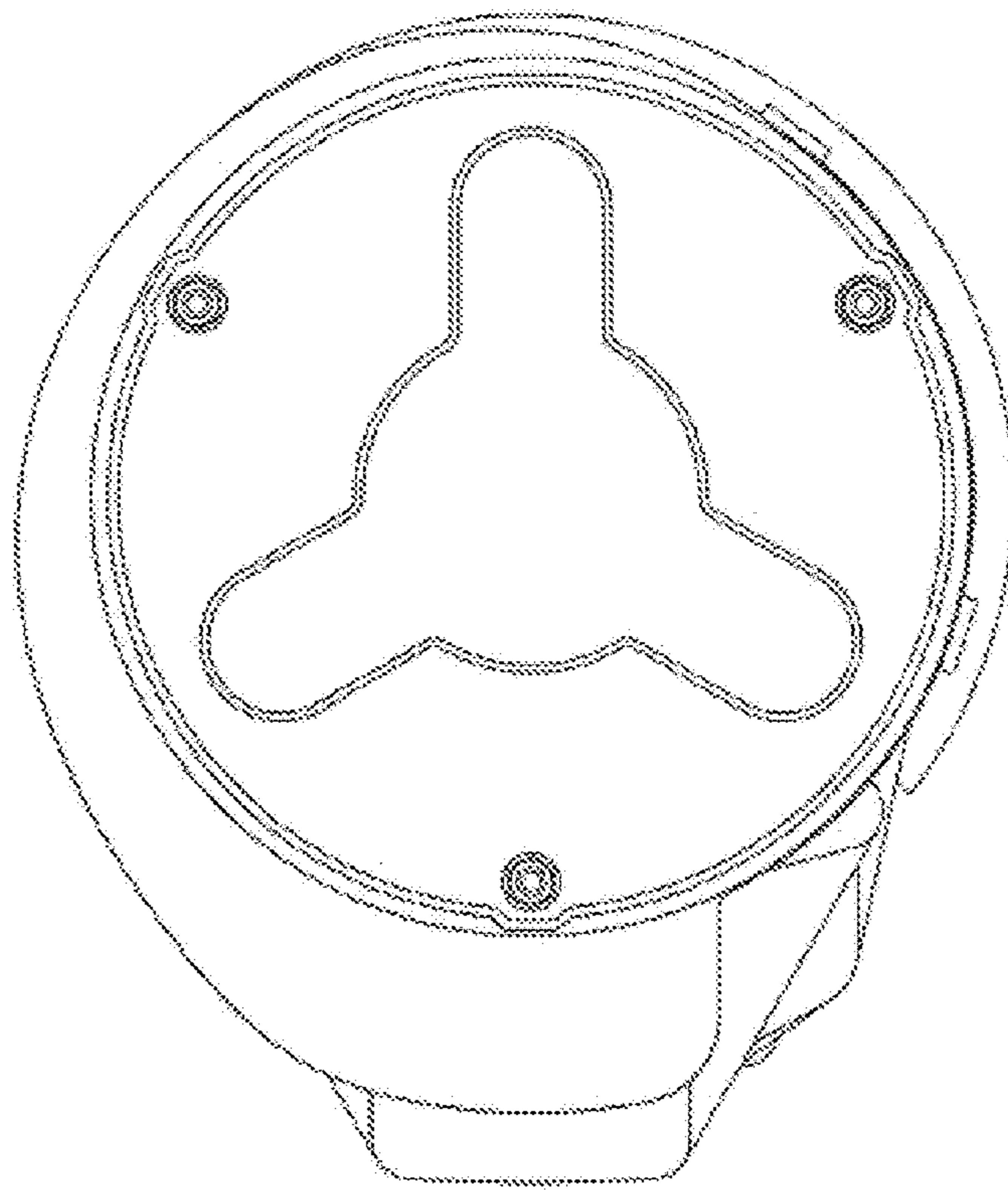
1.1



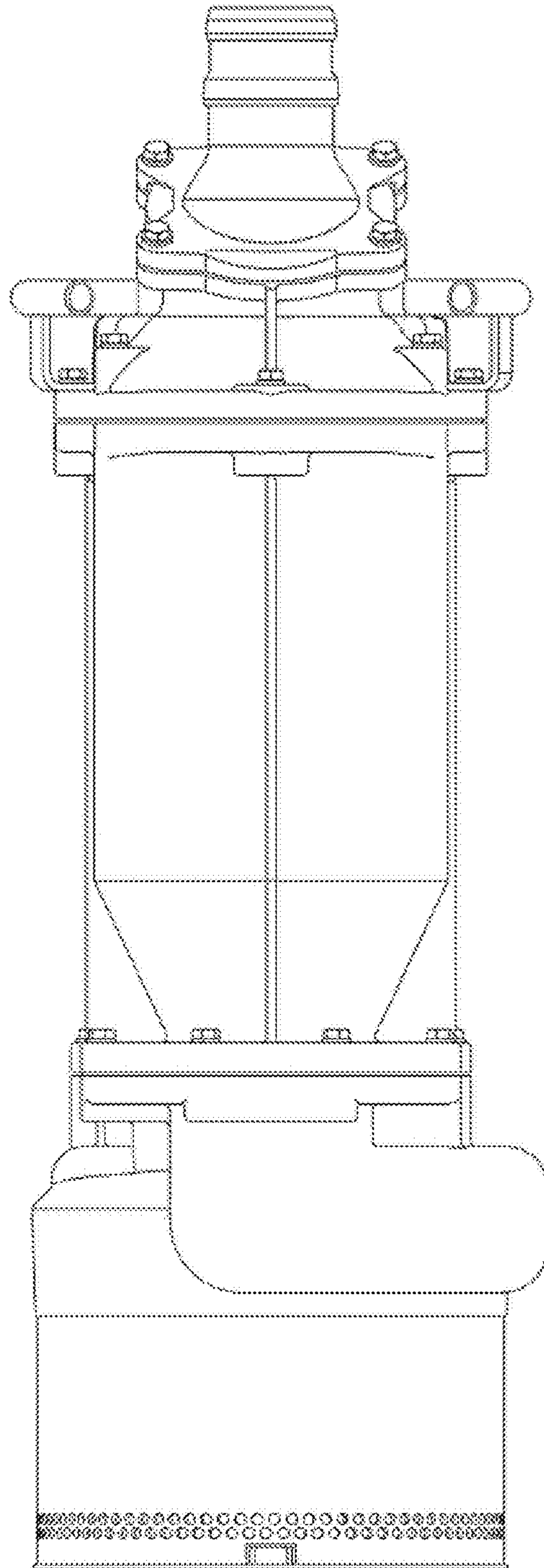
1.2



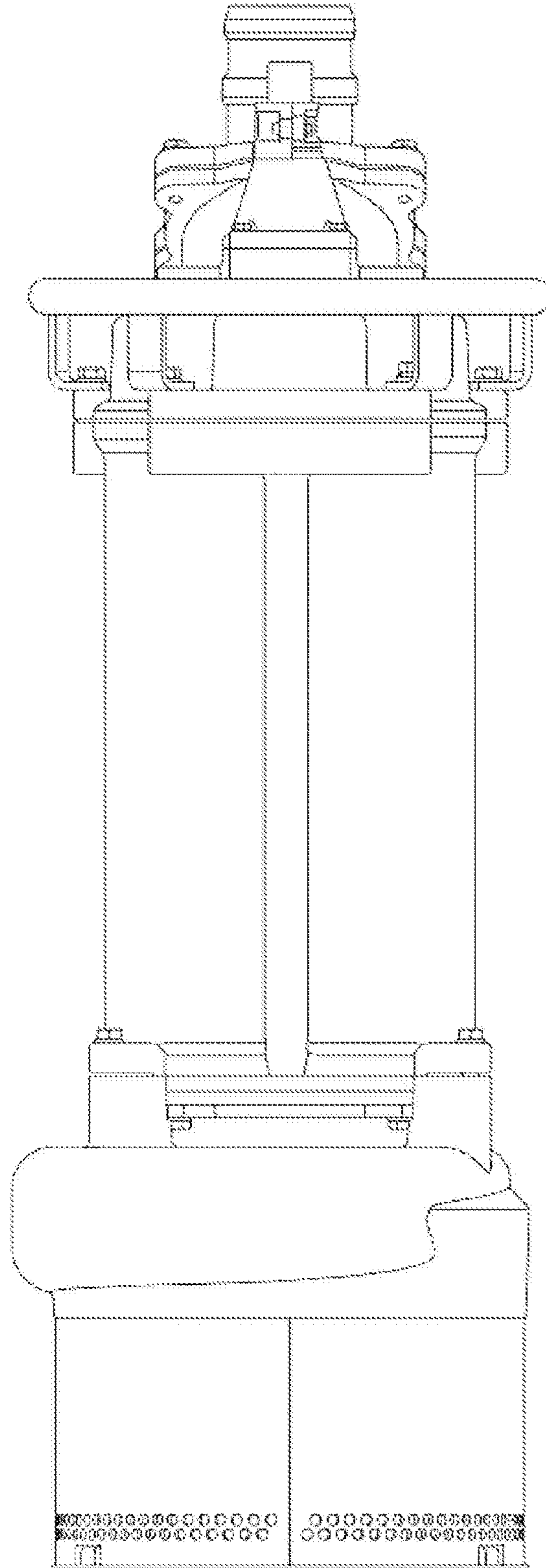
1.3



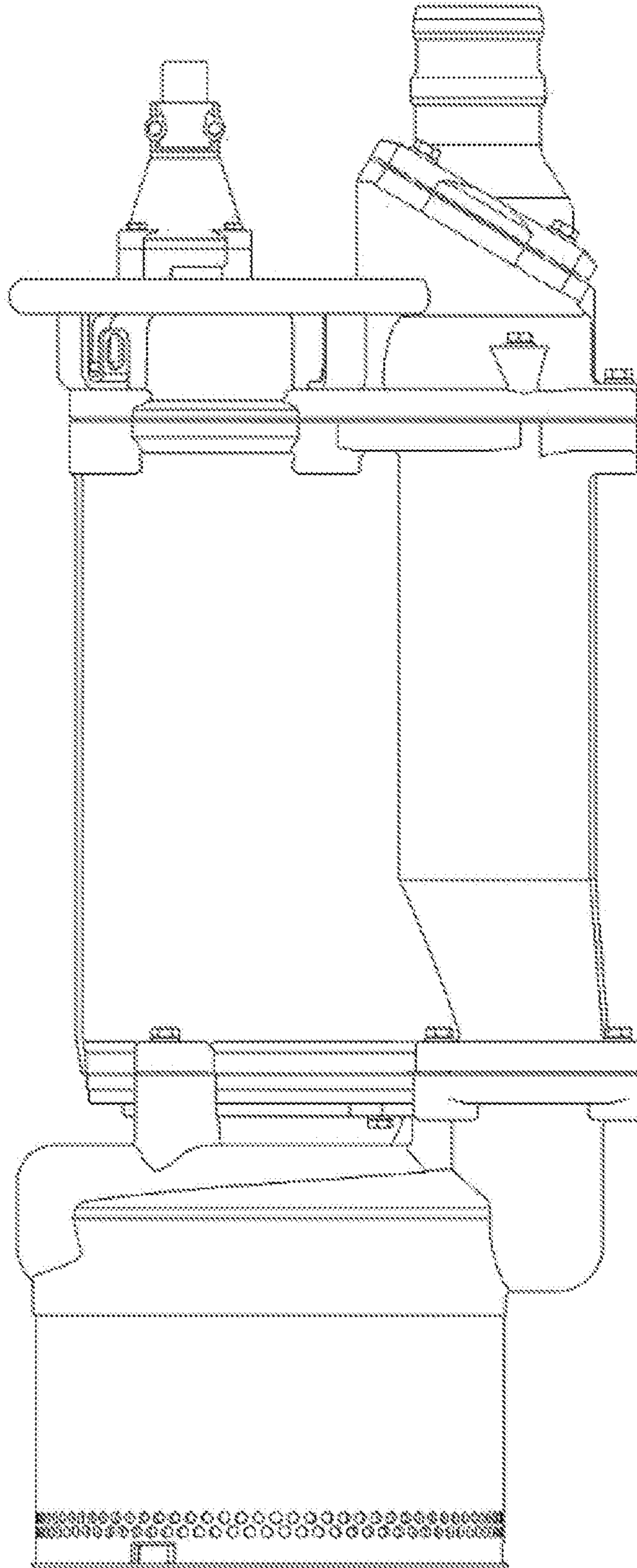
1.4



1.5



1.6



1.7

