



US00D954110S

(12) **United States Design Patent**
Costle et al.

(10) **Patent No.:** **US D954,110 S**
(45) **Date of Patent:** **** Jun. 7, 2022**

(54) **GARAGE INFLATOR**

(71) Applicant: **ILLINOIS TOOL WORKS INC.**,
Glenview, IL (US)

(72) Inventors: **Carey Christopher Costle**, Tucson, AZ
(US); **Stephen Edward Richey**,
Atascadero, CA (US)

(73) Assignee: **ILLINOIS TOOL WORKS INC.**,
Glenview, IL (US)

(**) Term: **15 Years**

(21) Appl. No.: **29/800,819**

(22) Filed: **Jul. 23, 2021**

(51) **LOC (13) Cl.** **15-02**

(52) **U.S. Cl.**
USPC **D15/7; D15/9**

(58) **Field of Classification Search**
USPC D14/163, 165, 172, 203.3, 203.6, 497,
D14/499, 509, 510; D24/168, 186;
D15/7-9; D13/107, 109, 110, 111, 184
CPC F04B 53/14; F04B 53/92; F04B 33/00;
F04B 33/005; F04B 1/005; F04B 35/00;
F04B 35/06; F04B 35/002; F04B 35/86;
F04B 17/03; F04B 17/06; F04B 33/02;
F04B 41/00; F04B 41/02; F04B 41/04;
F04B 41/06; F04D 13/06; F04D 29/22;
F04D 29/046; F04D 29/2266; F16K
11/048; F16K 15/20; F16K 31/602
See application file for complete search history.

(56) **References Cited**

U.S. PATENT DOCUMENTS

D282,049 S * 1/1986 Nederman D8/358
D359,962 S * 7/1995 Neshat D15/8
D360,822 S * 8/1995 Anderson D8/358
D524,495 S * 7/2006 Ljunggren D32/21
D562,349 S * 2/2008 Bulter D15/9

D635,587 S * 4/2011 Schleef D15/7
D662,950 S * 7/2012 Lu D15/9
D666,080 S * 8/2012 Boehler D8/359
D687,074 S * 7/2013 Barack D15/7
D745,137 S * 12/2015 Pipe D24/108

(Continued)

OTHER PUBLICATIONS

Motortrend, "Pump It Up With Slime's Pro-Series Garage Inflation System", (posted Sep. 28, 2021), Motortrend.com website, URL: <https://www.motortrend.com/how-to/slime-products-pro-series-garage-inflation-system-installation/> (Year: 2021).*

(Continued)

Primary Examiner — Calvin E Vansant

Assistant Examiner — Mark T. Philipps

(74) *Attorney, Agent, or Firm* — Pauley Erickson & Swanson

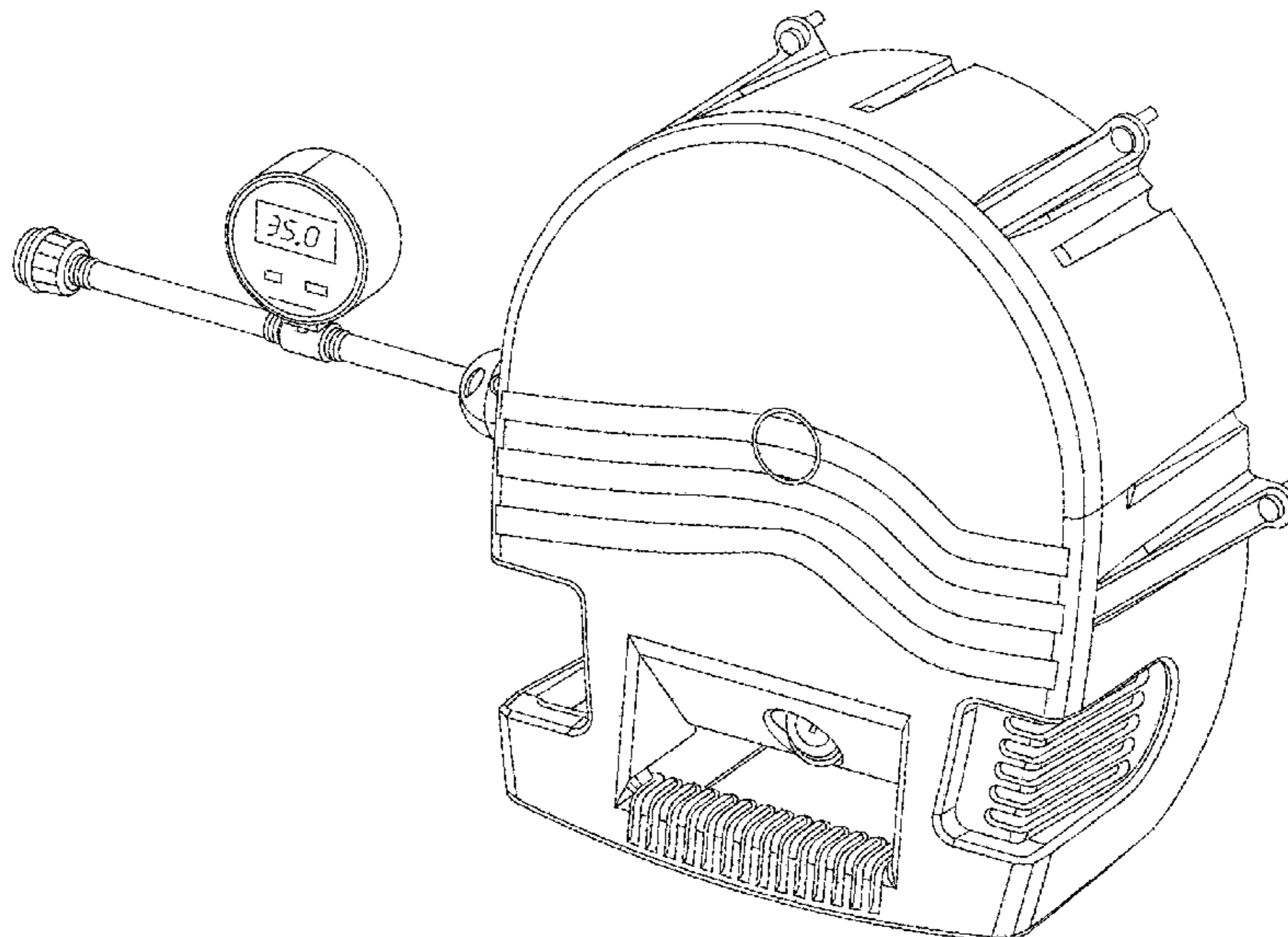
(57) **CLAIM**

The ornamental design for a garage inflator, as shown and described.

DESCRIPTION

FIG. 1 is a front perspective view of the garage inflator, according to the invention;
FIG. 2 is a front view of the garage inflator shown in FIG. 1;
FIG. 3 is a rear view of the garage inflator shown in FIG. 1;
FIG. 4 is a top view of the garage inflator shown in FIG. 1;
FIG. 5 is a bottom view of the garage inflator shown in FIG. 1;
FIG. 6 is a left side view of the garage inflator shown in FIG. 1; and,
FIG. 7 is a right side view, opposite the left side view shown in FIG. 6, of the garage inflator shown in FIG. 1.
The broken lines depict portions of the garage inflator that form no part of the claimed design.

1 Claim, 7 Drawing Sheets



(56)

References Cited

U.S. PATENT DOCUMENTS

D813,017 S * 3/2018 Wang D8/359
D829,318 S * 9/2018 Wu D23/366
D842,242 S * 3/2019 Zhang D13/107
D884,613 S * 5/2020 Minkyu D13/107
D907,989 S * 1/2021 Wang D8/358
D915,870 S * 4/2021 Lyytikainen D8/358
D926,398 S * 7/2021 Kim D32/21
D930,298 S * 9/2021 Lee D32/21
2019/0167052 A1* 6/2019 Lee A47L 5/22

OTHER PUBLICATIONS

Chicago Pneumatic, WALLAIR—Wall Mounted 1.5 HP Electric Air Compressor with a 32' Built in Retractable Hose 130 Max PSI, (date first available Mar. 4, 2021), Amazon.com, URL:<<https://www.amazon.com/Chicago-Pneumatic-WALL-AIR-Compressor-Retractable/dp/B08YPCR5CR>> (Year: 2021).*

* cited by examiner

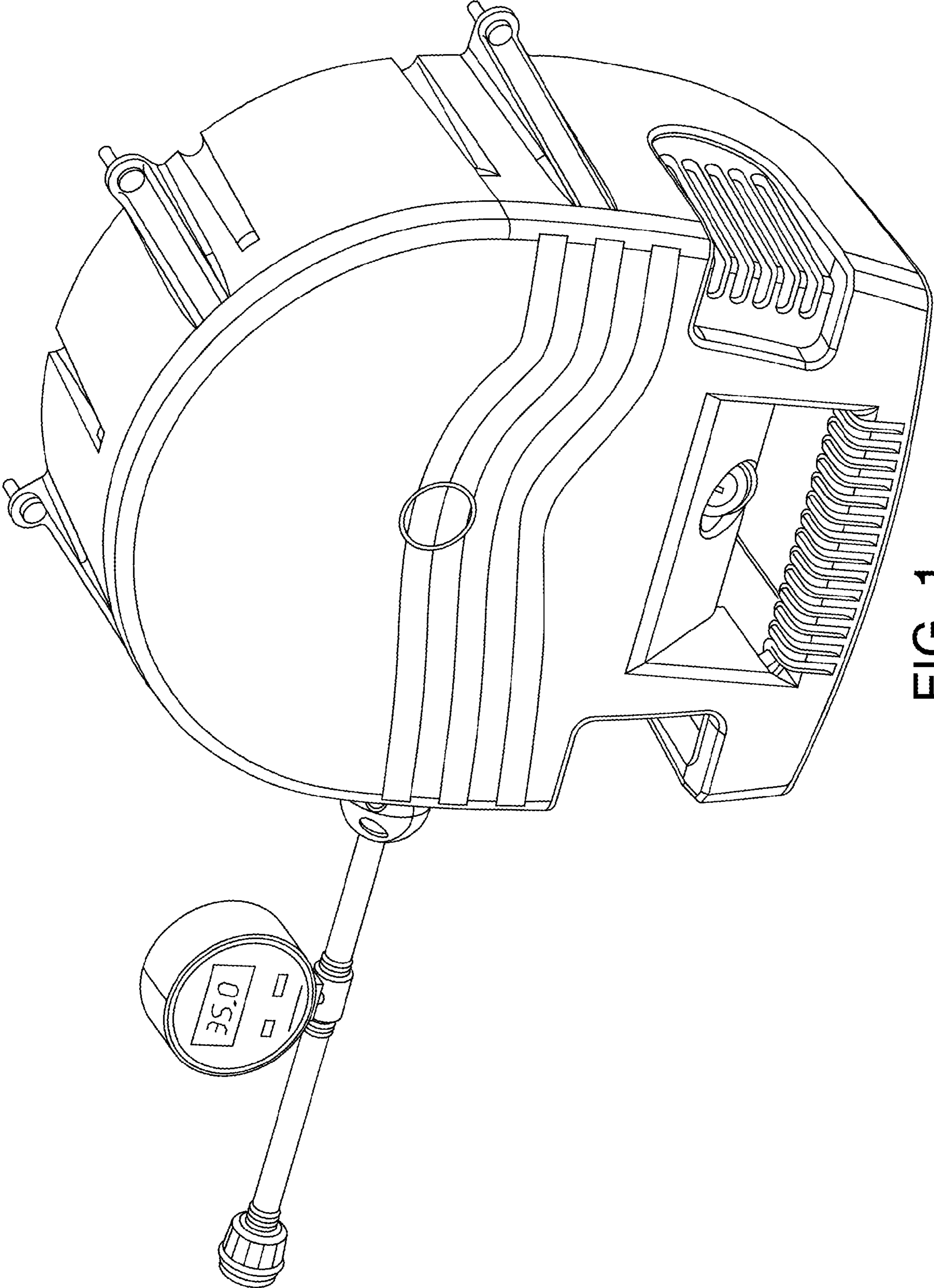


FIG. 1

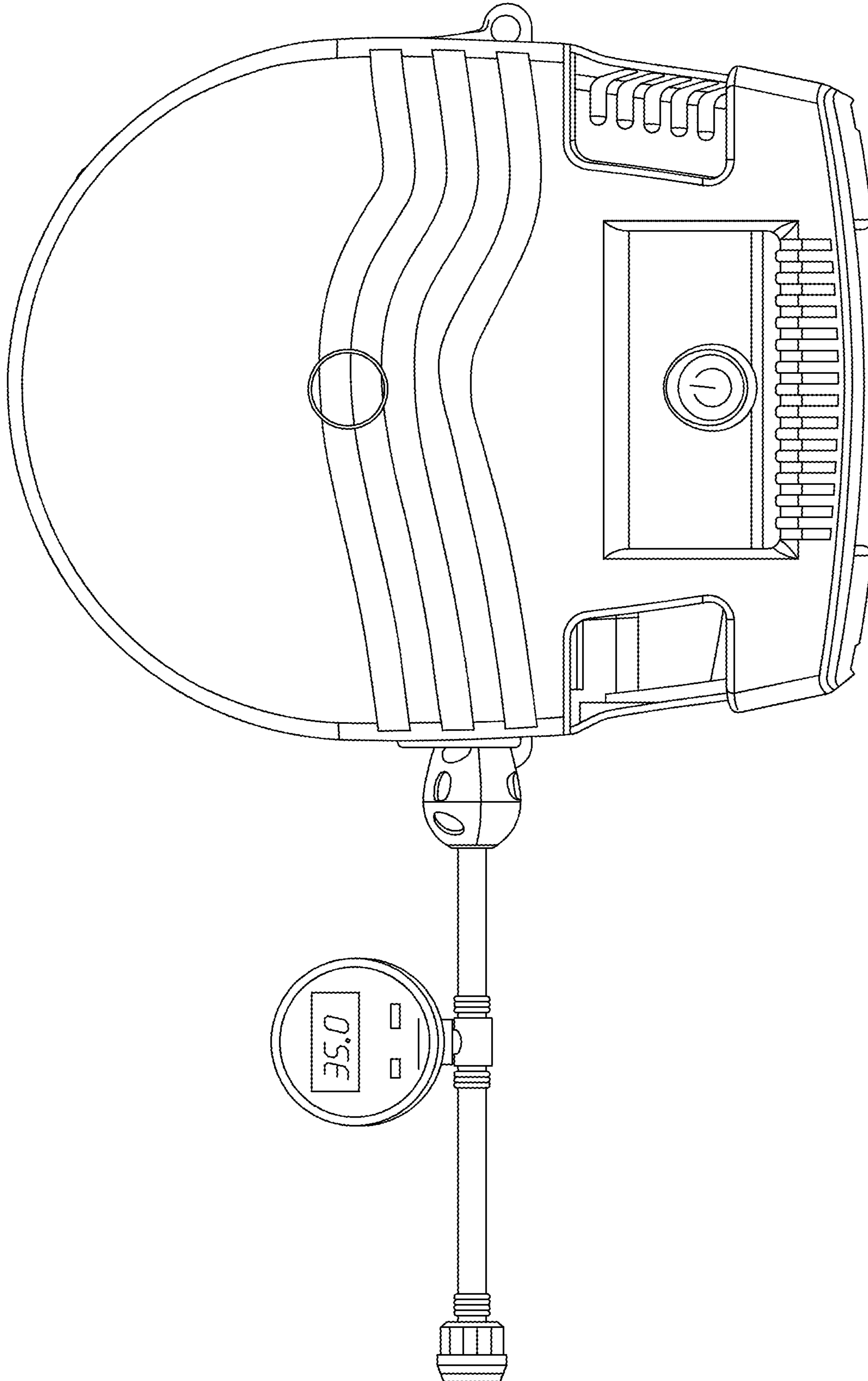


FIG. 2

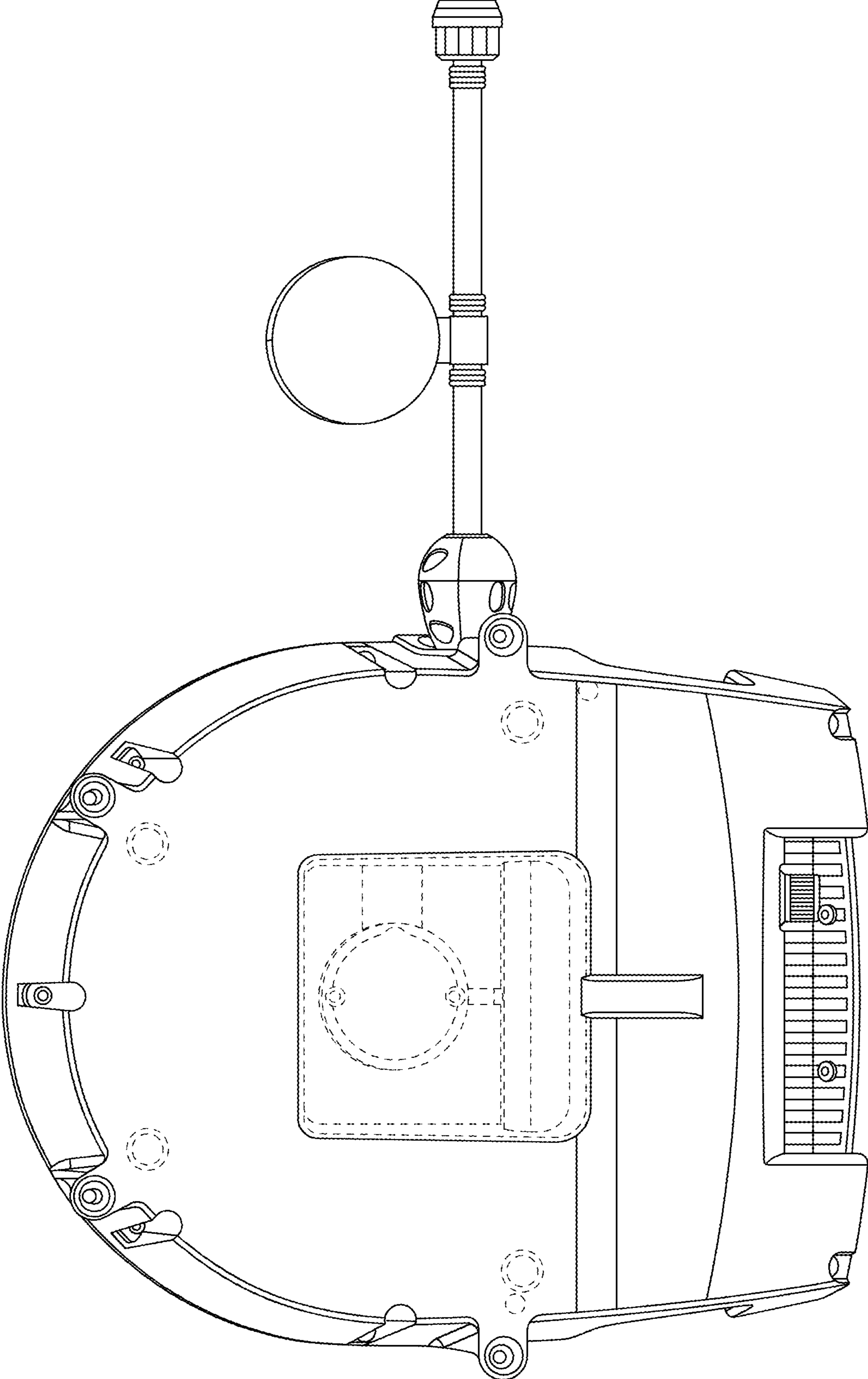


FIG. 3

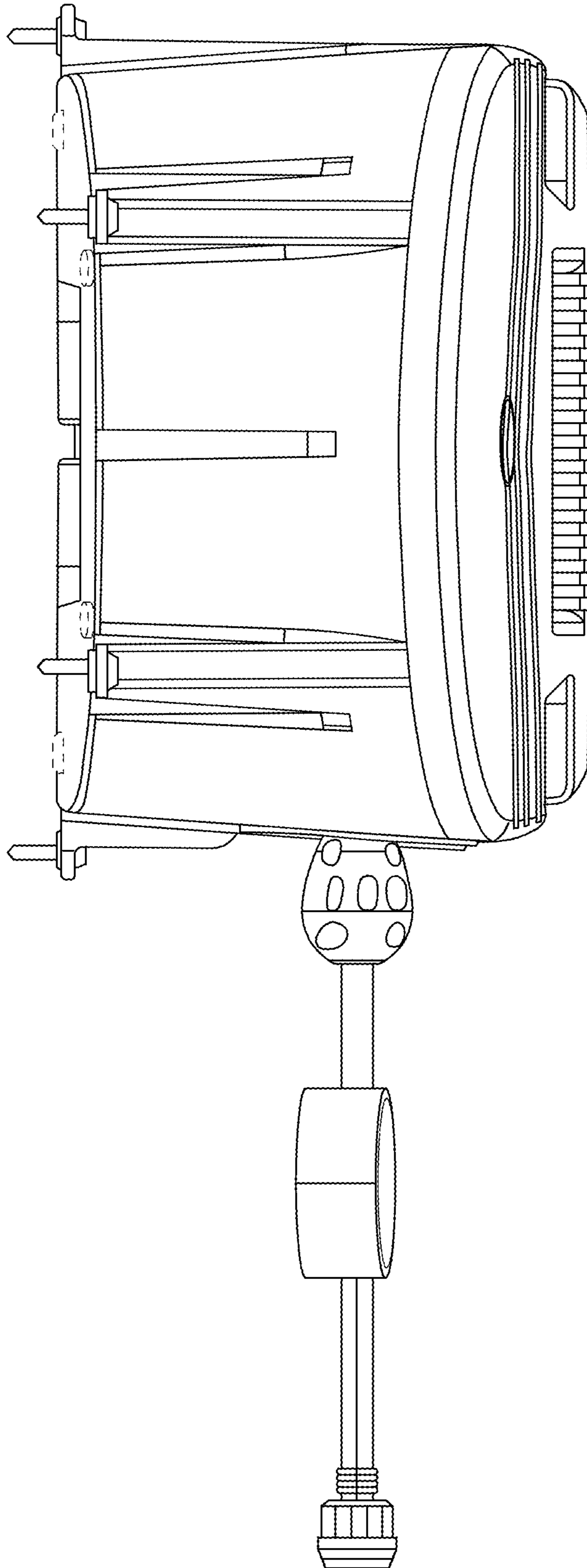


FIG. 4

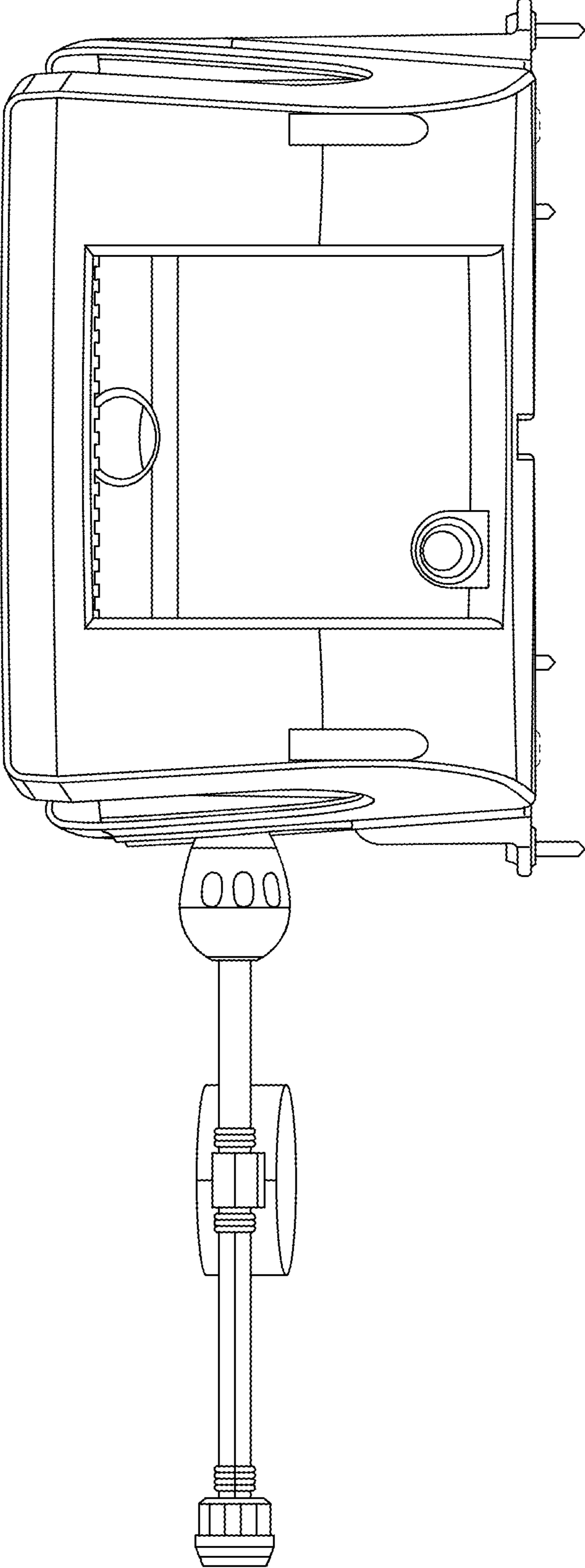


FIG. 5

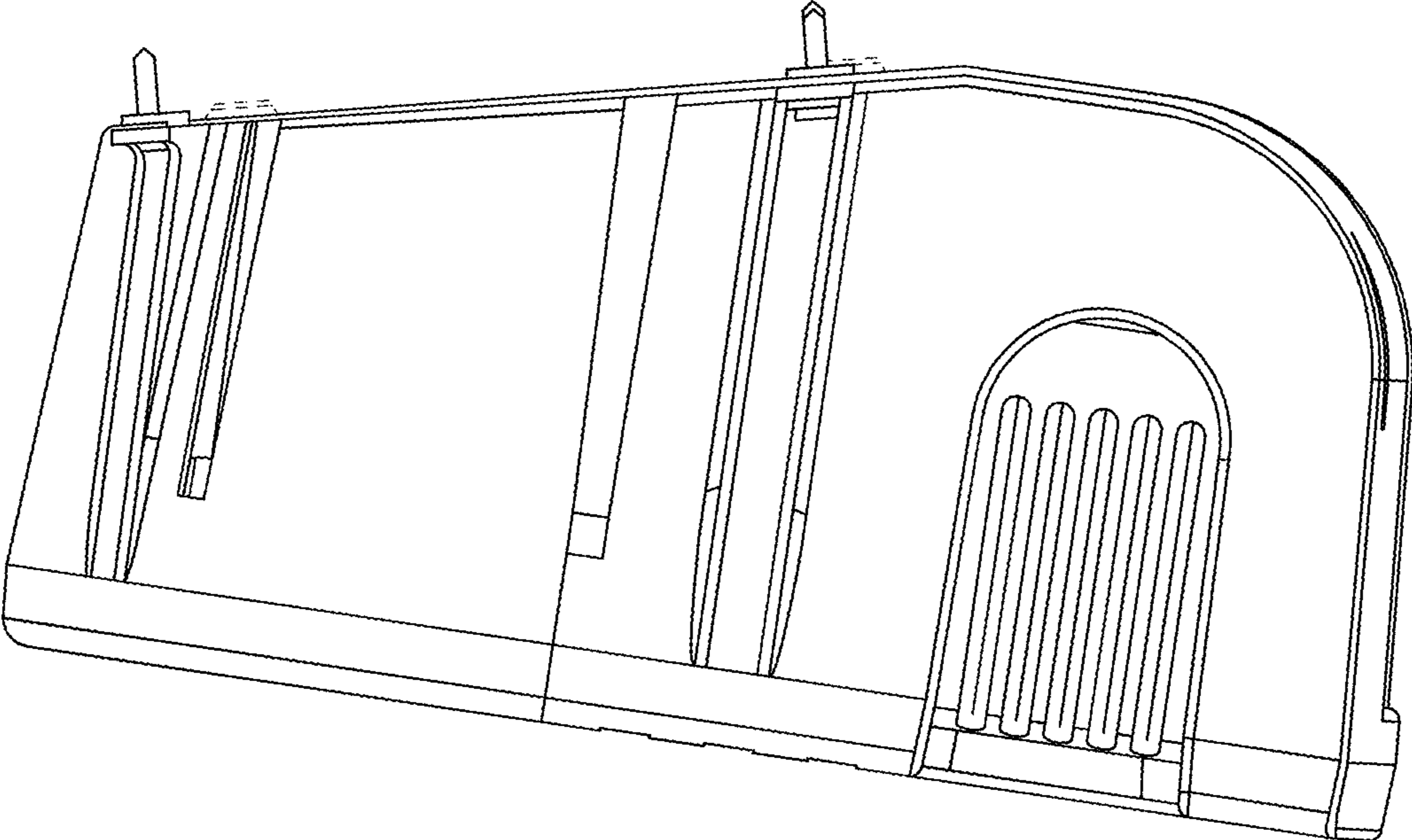


FIG. 6

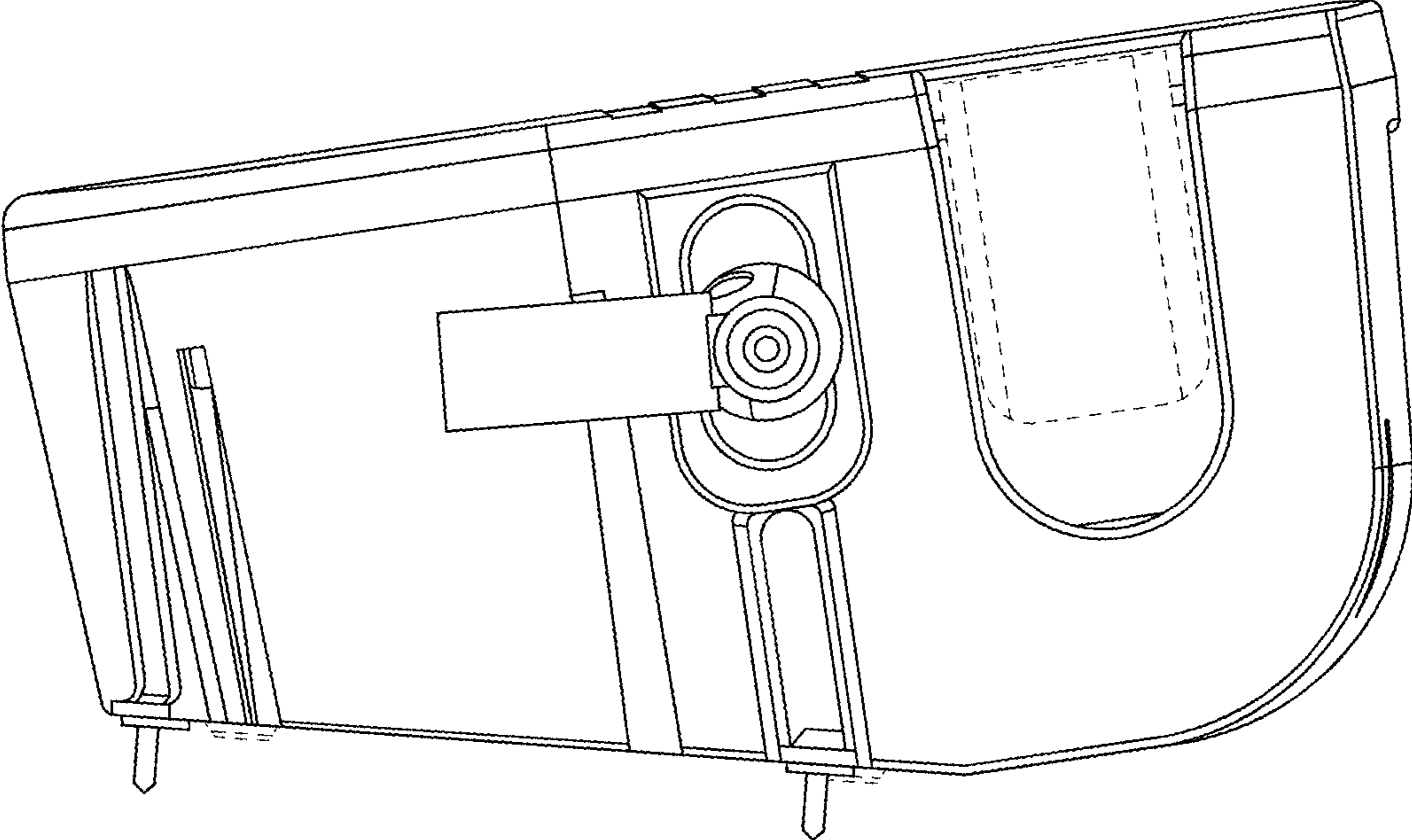


FIG. 7