



US00D954109S

(12) **United States Design Patent**  
**Richey et al.**

(10) **Patent No.:** **US D954,109 S**  
(45) **Date of Patent:** **\*\* Jun. 7, 2022**

(54) **DIGITAL INFLATOR**

(71) Applicant: **ILLINOIS TOOL WORKS INC.**,  
Glenview, IL (US)

(72) Inventors: **Stephen Edward Richey**, Atascadero,  
CA (US); **Carey Christopher Costle**,  
Tucson, AZ (US)

(73) Assignee: **ILLINOIS TOOL WORKS INC.**,  
Glenview, IL (US)

(\*\*) Term: **15 Years**

(21) Appl. No.: **29/749,847**

(22) Filed: **Sep. 9, 2020**

(51) **LOC (13) Cl.** ..... **15-02**

(52) **U.S. Cl.**  
USPC ..... **D15/7**

(58) **Field of Classification Search**  
USPC ..... D14/163, 165, 172, 203.3, 203.6, 497,  
D14/499, 509, 510; D24/168, 186;  
D15/7-9; D13/107, 109, 110, 111, 184  
CPC ..... F04B 53/14; F04B 53/92; F04B 33/00;  
F04B 33/005; F04B 1/005; F04B 35/00;  
F04B 35/06; F04B 35/002; F04B 35/86;  
F04B 17/03; F04B 17/06; F04B 33/02;  
F04B 41/00; F04B 41/02; F04B 41/04;  
F04B 41/06; F04D 13/06; F04D 29/22;  
F04D 29/046; F04D 29/2266; F16K  
11/048; F16K 15/20; F16K 31/602  
See application file for complete search history.

(56) **References Cited**

**U.S. PATENT DOCUMENTS**

D294,396 S \* 2/1988 Steere ..... D15/9  
D296,104 S \* 6/1988 Hung ..... D15/9  
D340,458 S \* 10/1993 Wang ..... D15/7  
D340,726 S \* 10/1993 Wang ..... D15/7

D407,413 S \* 3/1999 Wang ..... D15/9  
D409,206 S \* 5/1999 Wang ..... D15/9  
D434,423 S \* 11/2000 Wang ..... D15/9

(Continued)

**OTHER PUBLICATIONS**

ITW Global Brands, Slime Deluxe Digital 12v Tire Inflator Inflates a standard tire in 4 minutes—40067, (site visited Nov. 18, 2021), Walmart.com website, URL:<<https://www.walmart.com/ip/Slime-Deluxe-Digital-12v-Tire-Inflator-Inflates-a-standard-tire-in-4-minutes-40067/123614596>> (Year: 2021).\*

(Continued)

*Primary Examiner* — Calvin E Vansant  
*Assistant Examiner* — Mark T. Philipps

(74) *Attorney, Agent, or Firm* — Pauley Erickson & Swanson

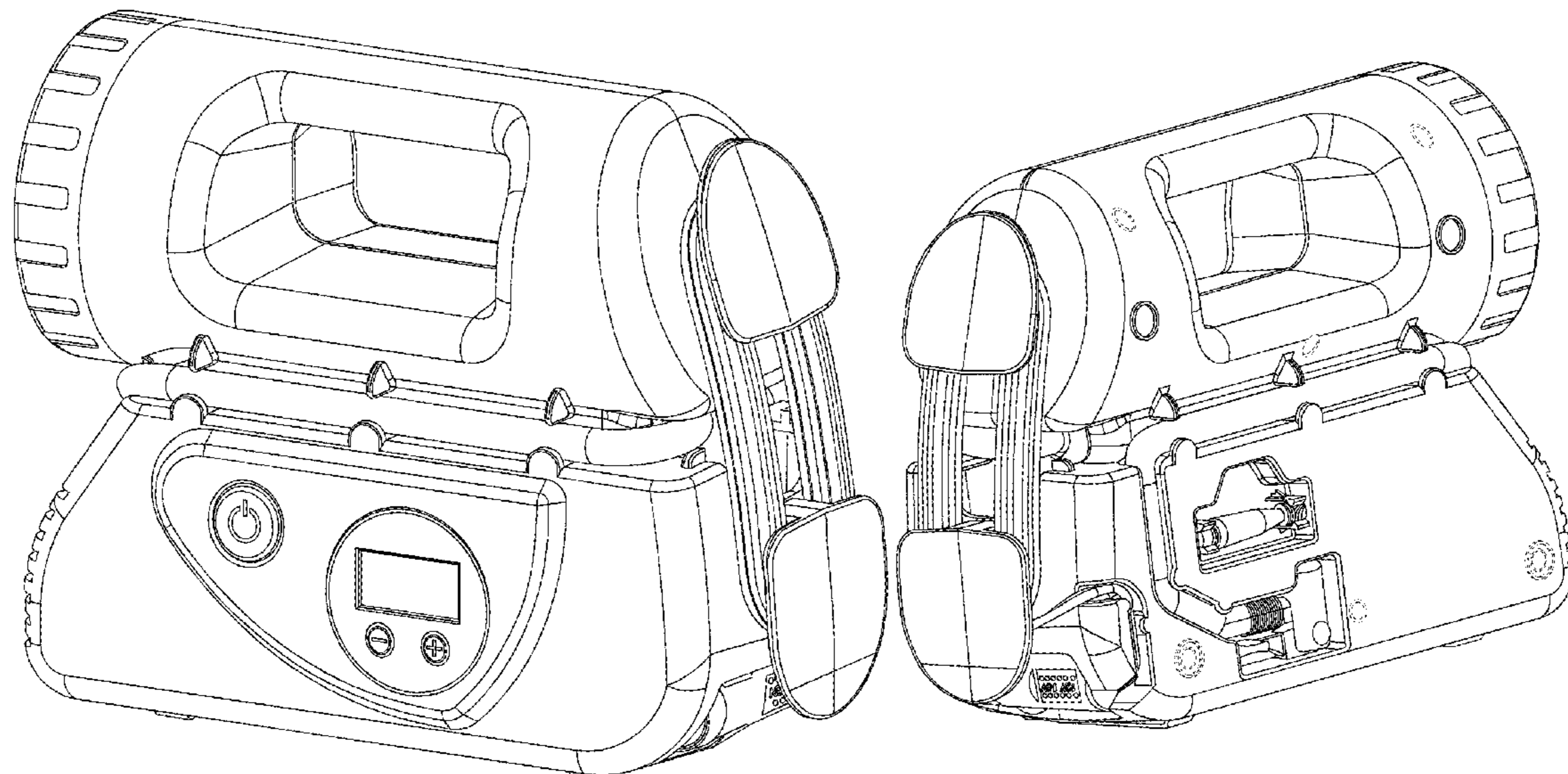
(57) **CLAIM**

The ornamental design for a digital inflator, as shown and described.

**DESCRIPTION**

FIG. 1 is a front perspective view of the digital inflator, according to the invention;  
FIG. 2 is a rear perspective view of the digital inflator, according to the invention;  
FIG. 3 is a front view of the digital inflator shown in FIG. 1;  
FIG. 4 is a rear view of the digital inflator shown in FIG. 1;  
FIG. 5 is a side view of the digital inflator shown in FIG. 1;  
FIG. 6 is a side view, opposite the side view shown in FIG. 5, of the digital inflator shown in FIG. 1;  
FIG. 7 is a top view of the digital inflator shown in FIG. 1; and,  
FIG. 8 is a bottom view of the digital inflator shown in FIG. 1.  
The broken lines depict portions of the digital inflator that form no part of the claimed design.

**1 Claim, 8 Drawing Sheets**



(56)

**References Cited**

## U.S. PATENT DOCUMENTS

D512,727	S	*	12/2005	Hussaini	.....	D15/9
D514,595	S	*	2/2006	Chen	.....	D15/9
D540,825	S	*	4/2007	Wang	.....	D15/9
D540,826	S	*	4/2007	Wang	.....	D15/9
D541,309	S	*	4/2007	Wang	.....	D15/9
D585,822	S	*	2/2009	Hsu	.....	D13/107
D597,105	S	*	7/2009	Geisler	.....	D15/9
D611,962	S	*	3/2010	Schneider	.....	D15/9
D665,167	S		8/2012	Haener et al.		
D668,685	S		10/2012	Haener		
D672,367	S		12/2012	Stansbury et al.		
D701,887	S		4/2014	Haener		
D707,719	S	*	6/2014	Kamijyo	.....	D15/7
D774,102	S		12/2016	Ellman et al.		
D806,133	S	*	12/2017	Costle	.....	D15/9
D838,746	S	*	1/2019	Gan	.....	D15/7
D864,253	S	*	10/2019	Thorne	.....	D15/7
D864,254	S	*	10/2019	Zhang	.....	D15/9
D874,398	S	*	2/2020	Sun	.....	D13/107
D896,281	S	*	9/2020	Long	.....	D15/9
D916,139	S	*	4/2021	Fan	.....	D15/7

## OTHER PUBLICATIONS

Slime Store, Slime 40031 Pro Power Heavy Duty Tire Inflator, (dated first available Nov. 6, 2013), Amazon.com, URL:<<https://www.amazon.com/Slime-40031-Power-Heavy-Inflator/dp/B00BSG2YE0>> (Year: 2013).\*

Avid Power Store, Avid Power Tire Inflator Air Compressor, 12V DC Car Tire Pump with Fast Inflation, (date first available May 26, 2019), Amazon.com, URL:<<https://www.amazon.com/Avid-Power-Inflator-Compressor-Inflation/dp/B0885R2482>> (Year: 2019).\*

\* cited by examiner

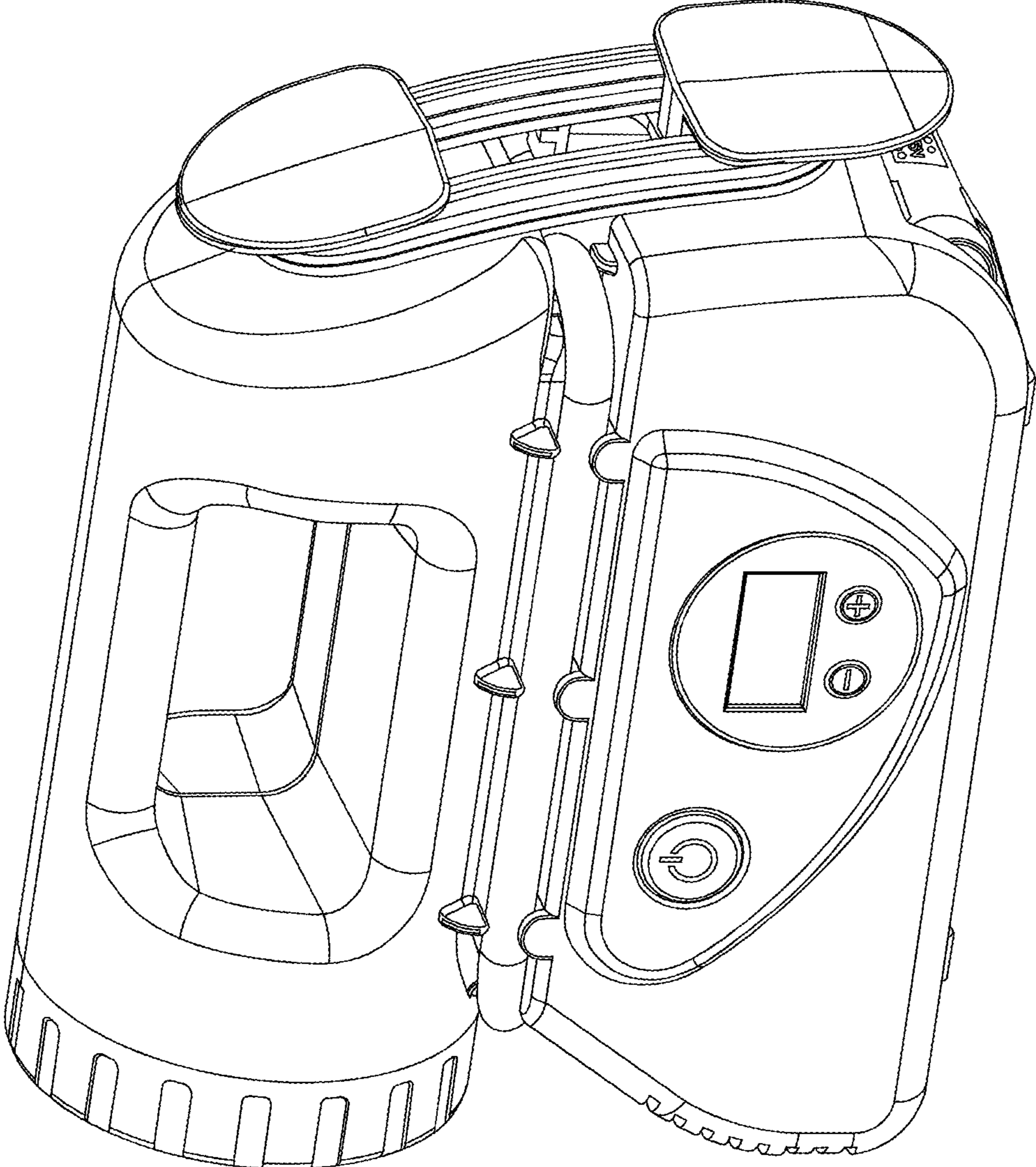


FIG. 1

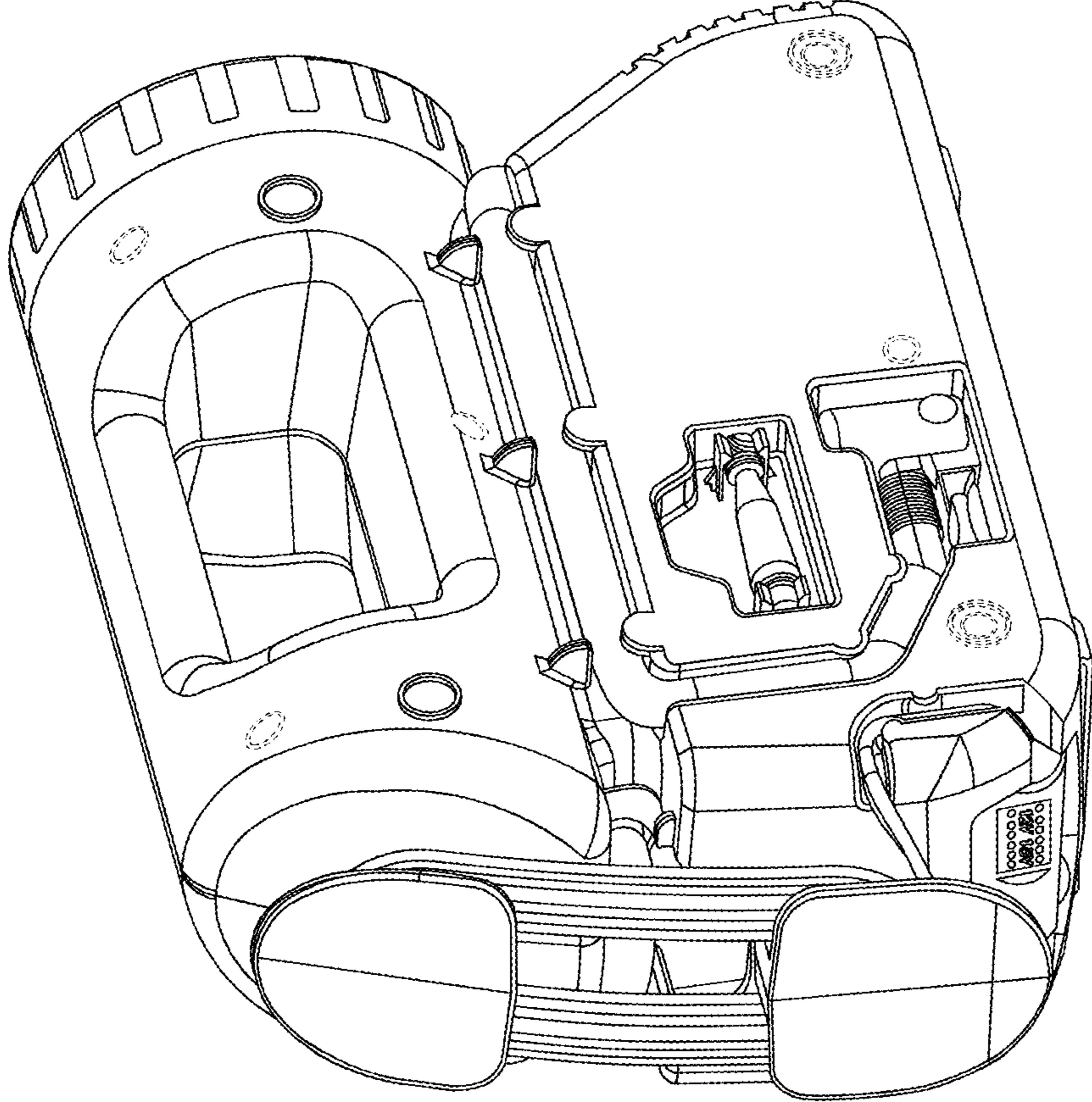


FIG. 2

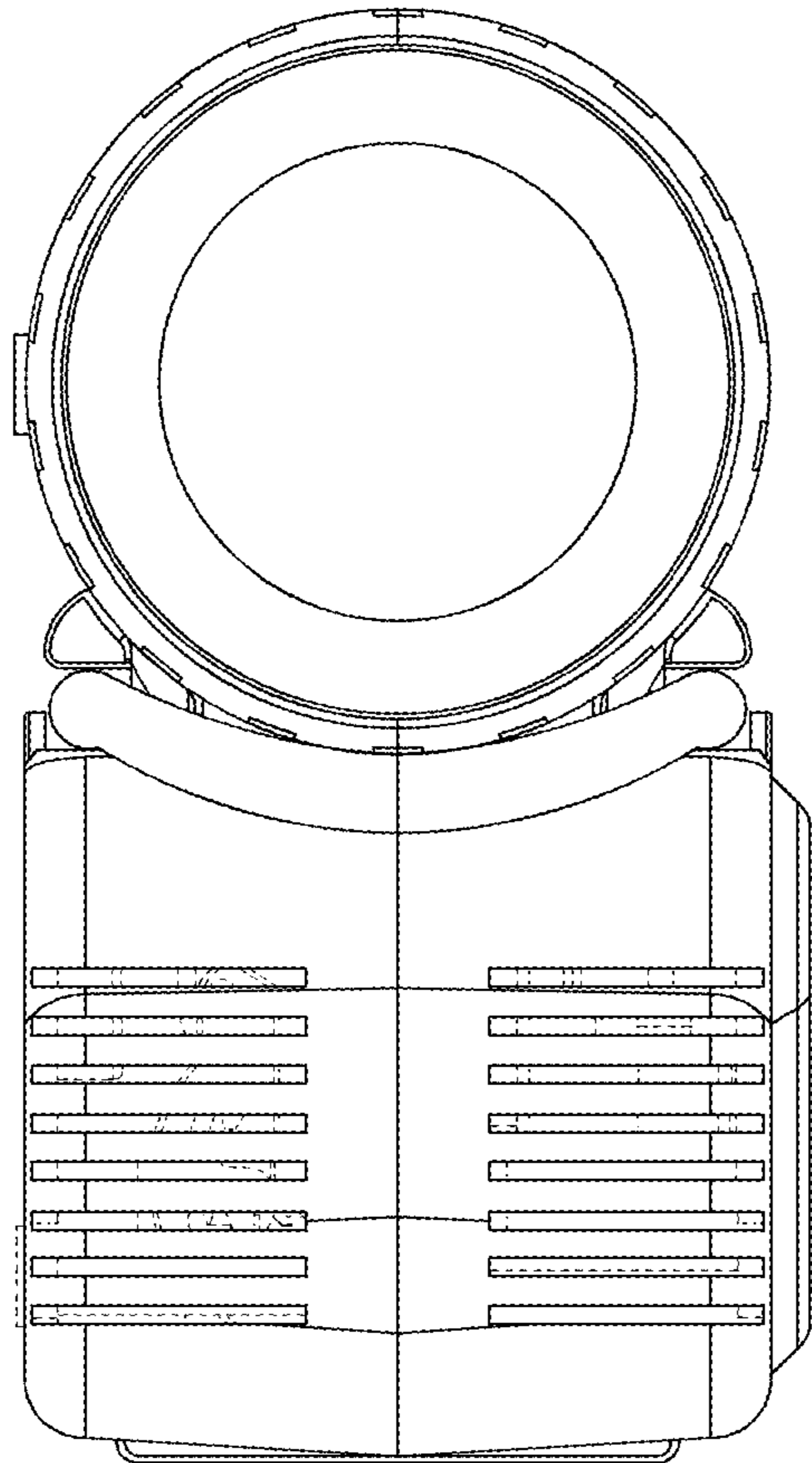


FIG. 3

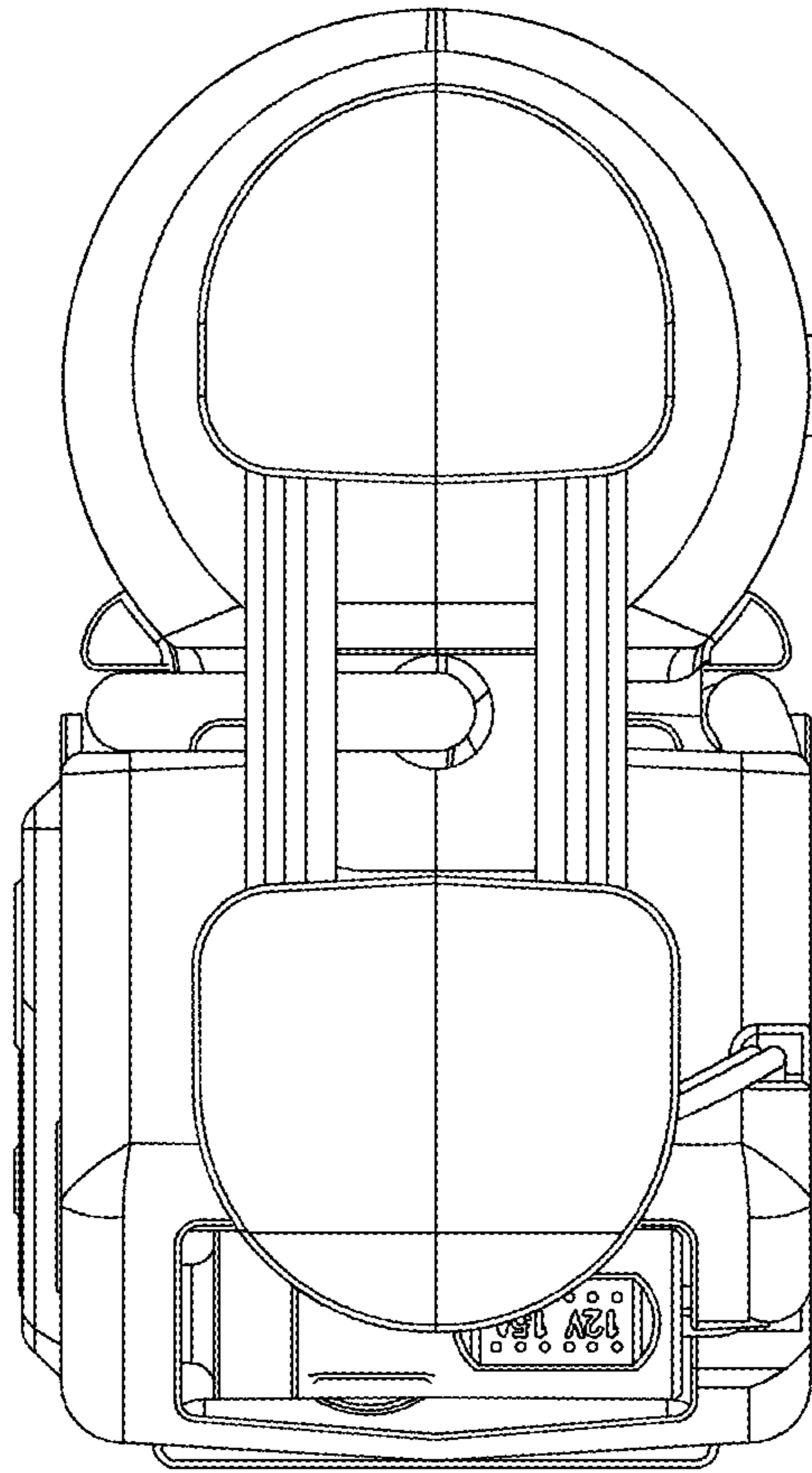


FIG. 4

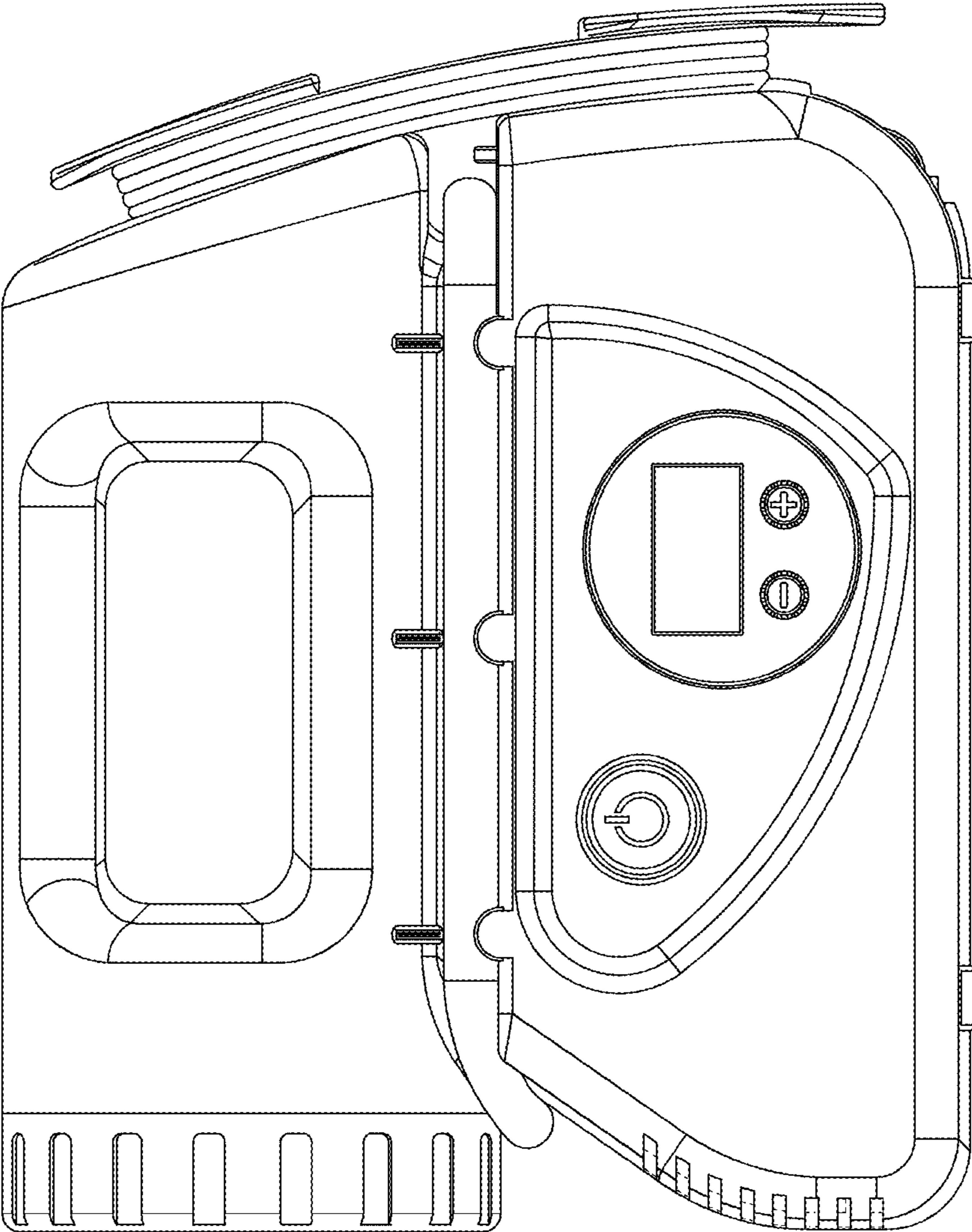


FIG. 5

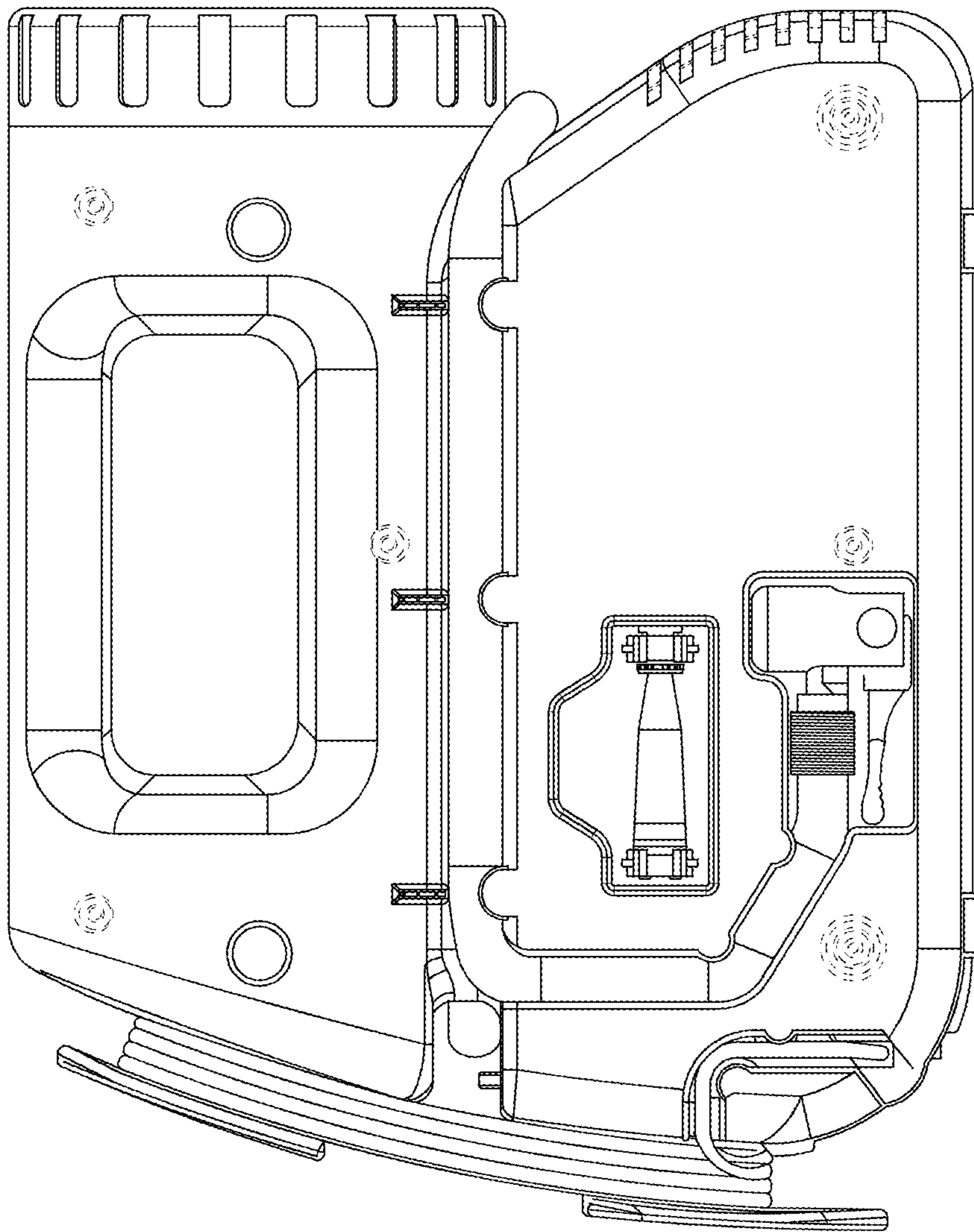


FIG. 6



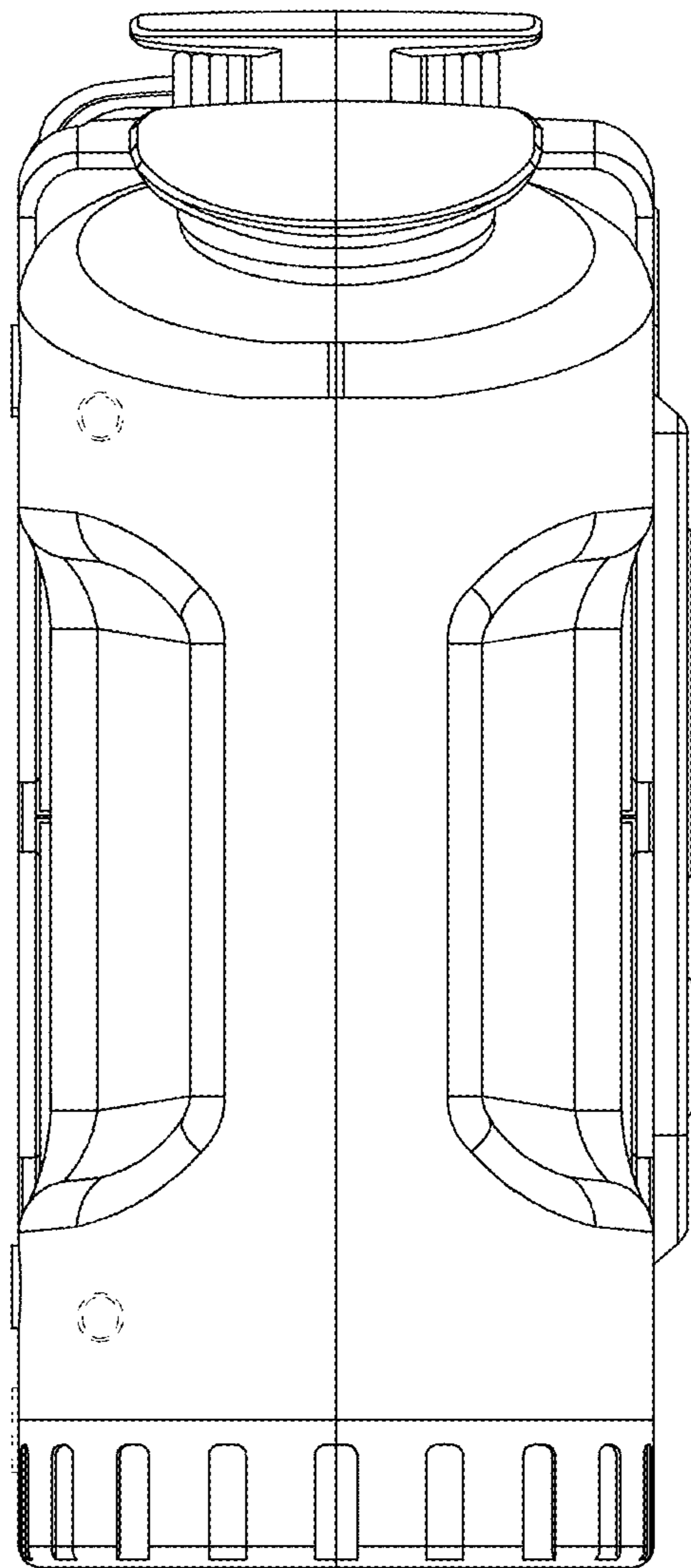


FIG. 7

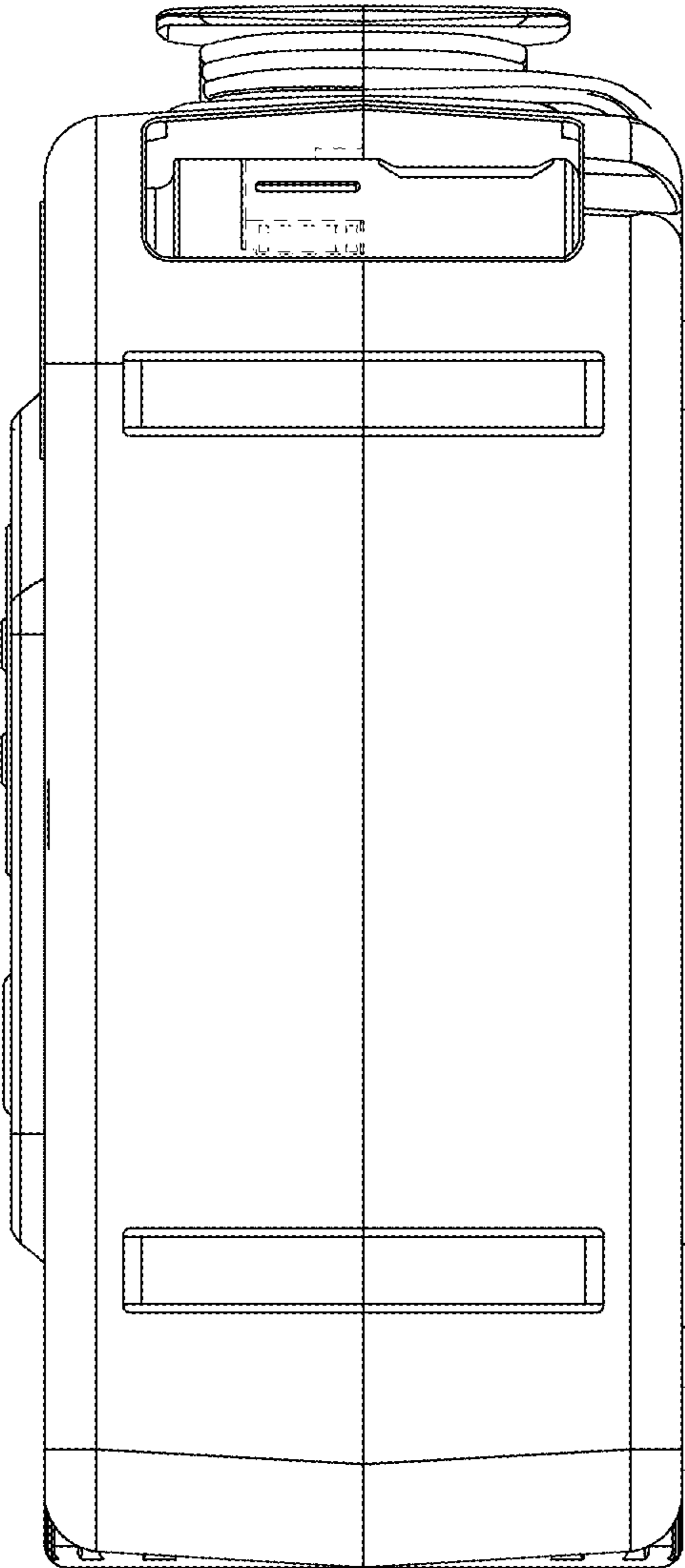


FIG. 8