



US00D954083S

(12) **United States Design Patent** (10) **Patent No.:** **US D954,083 S**
Carrigan et al. (45) **Date of Patent:** **** Jun. 7, 2022**

(54) **ELECTRONIC DEVICE WITH ANIMATED GRAPHICAL USER INTERFACE**

- (71) Applicant: **Apple Inc.**, Cupertino, CA (US)
- (72) Inventors: **Taylor Gerard Carrigan**, San Francisco, CA (US); **David C. Graham**, Campbell, CA (US); **Thomas Steven Hulbert**, Palo Alto, CA (US); **Aled Williams**, Llandeilo (GB)
- (73) Assignee: **Apple Inc.**, Cupertino, CA (US)
- (**) Term: **15 Years**
- (21) Appl. No.: **29/787,441**
- (22) Filed: **Jun. 7, 2021**

Related U.S. Application Data

- (63) Continuation of application No. 29/705,048, filed on Sep. 9, 2019, now Pat. No. Des. 921,669.
- (51) **LOC (13) Cl.** **14-04**
- (52) **U.S. Cl.**
USPC **D14/485; D14/487**
- (58) **Field of Classification Search**
USPC D14/485-495
CPC G06F 3/048-04897
See application file for complete search history.

(56) **References Cited**

U.S. PATENT DOCUMENTS

D625,733 S *	10/2010	Anzures	D14/486
D641,372 S *	7/2011	Gardner	D14/486
D644,243 S	8/2011	Matas		
D644,663 S *	9/2011	Gardner	D14/495
D667,451 S *	9/2012	Wujcik	D14/492
D677,275 S *	3/2013	Wujcik	D14/487
D706,300 S	6/2014	Akana et al.		
D714,329 S *	9/2014	Wood	D14/485

(Continued)

OTHER PUBLICATIONS

AirPods Pro Active Noise Cancellation and Transparency mode, dated to Dec. 2, 2019, support.apple.com [online]. Retrieved Feb. 10, 2022 from internet <URL:https://web.archive.org/web/20191202184043/https://support.apple.com/en-us/HT210643> (Year: 2019).*

(Continued)

Primary Examiner — Andrew T Nemeth

(74) *Attorney, Agent, or Firm* — Sterne, Kessler, Goldstein & Fox P.L.L.C.

(57) **CLAIM**

The ornamental design for an electronic device with animated graphical user interface, as shown and described.

DESCRIPTION

FIG. 1 is a front view of a display screen or portion thereof with animated graphical user interface showing a first image of the claimed design;

FIG. 2 is a second image thereof; and

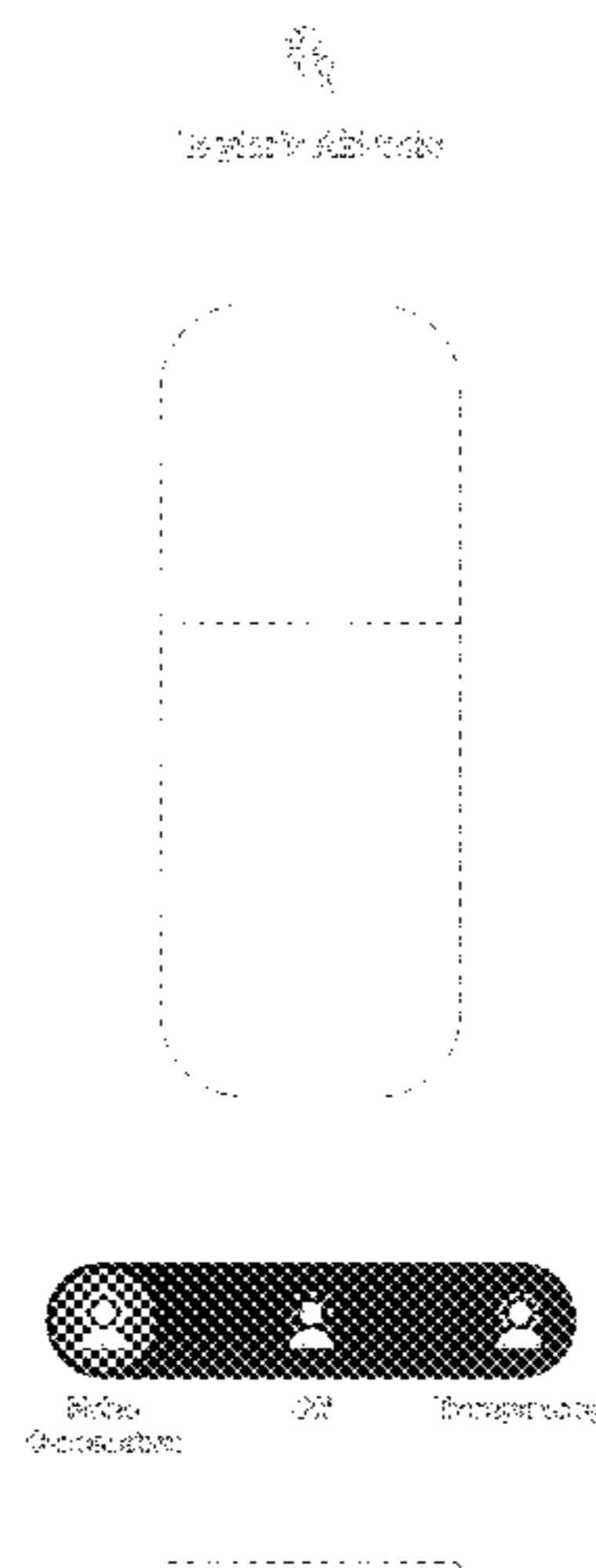
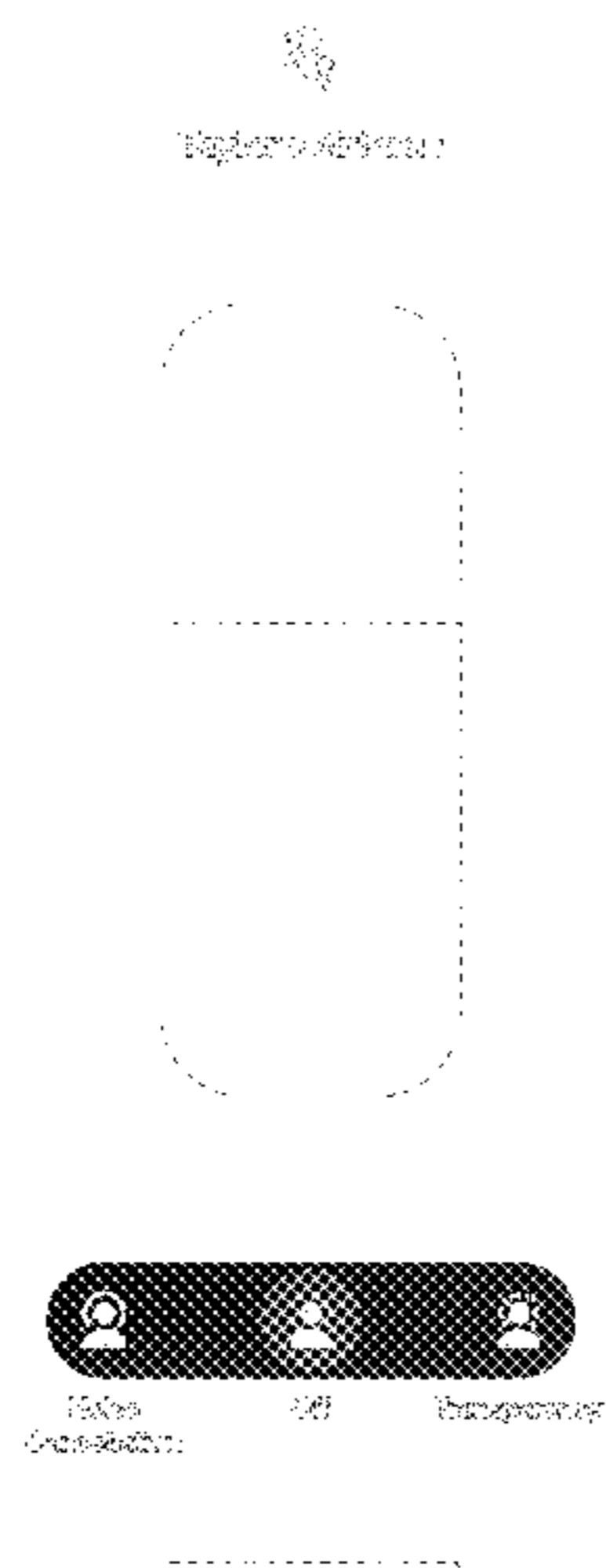
FIG. 3 is a third image thereof; and,

FIG. 4 is a front view of an electronic device having a display screen with the animated graphical user interface of FIG. 1 applied to the display screen. The animated graphical user interface designs of FIGS. 2 and 3 may be similarly applied thereto.

The outer broken lines in the figures show a display screen or portion thereof, or an electronic device having a display screen, and form no part of the claimed design. The other broken lines in the figures show portions of the animated graphical user interface that form no part of the claimed design.

The appearance of the animated image sequentially transitions between the images shown in FIGS. 1-3. The process or period in which one image transitions to another forms no part of the claimed design.

1 Claim, 4 Drawing Sheets



(56)

References Cited

U.S. PATENT DOCUMENTS

D723,051 S * 2/2015 Park D14/486
 D725,134 S 3/2015 Boettcher et al.
 D738,401 S 9/2015 Capela et al.
 D738,907 S * 9/2015 Cabrera-Cordon D14/488
 D738,912 S * 9/2015 Cabrera-Cordon D14/489
 D738,913 S * 9/2015 Cabrera-Cordon D14/491
 D749,626 S * 2/2016 Park D14/488
 D753,676 S * 4/2016 Oh D14/485
 D757,116 S 5/2016 Capela et al.
 D764,520 S * 8/2016 Lee D14/488
 D771,116 S * 11/2016 Dellinger D14/487
 D771,687 S 11/2016 Fino
 D788,161 S 5/2017 Bauer et al.
 D791,162 S * 7/2017 Dellinger D14/486
 D791,786 S * 7/2017 Chaudhri D14/485
 D797,798 S * 9/2017 Sato D14/491
 D807,907 S * 1/2018 Dellinger D14/486
 D813,900 S * 3/2018 Karunamuni D14/487
 D817,995 S * 5/2018 Choi D14/487
 D819,076 S * 5/2018 Cho D14/489
 D822,686 S * 7/2018 Adriaensen D14/485
 D822,687 S * 7/2018 Adriaensen D14/485
 D822,715 S * 7/2018 Feng D14/492
 D823,319 S * 7/2018 Adriaensen D14/485
 D823,321 S * 7/2018 Adriaensen D14/485

D823,865 S * 7/2018 Adriaensen D14/485
 D831,674 S 10/2018 Bauer et al.
 D837,231 S * 1/2019 Nook D14/485
 D864,990 S * 10/2019 Lee D14/487
 D870,767 S * 12/2019 Villafaña D14/487
 D881,210 S * 4/2020 Anzures D14/488
 D890,189 S * 7/2020 Shacham D14/485
 D892,821 S 8/2020 Bauer et al.
 D915,424 S * 4/2021 Elgena D14/487
 D916,133 S * 4/2021 Dye D14/492
 D916,889 S 4/2021 Dye et al.
 D921,029 S 6/2021 Apodaca et al.
 D921,669 S 6/2021 Carrigan et al.
 D931,334 S * 9/2021 Crandall D14/488
 D937,314 S * 11/2021 Inose D14/488
 D938,450 S * 12/2021 Holland D14/485

OTHER PUBLICATIONS

Registered Trademark Serial No. 85881822, Apple Inc., Priority Date Oct. 2, 2012.
 Registered Trademark Serial No. 88046934, Apple Inc., first use date: Jun. 30, 2015.
 Registered Trademark Serial No. 88046966, Apple Inc., first use date: Jun. 26, 2012.

* cited by examiner

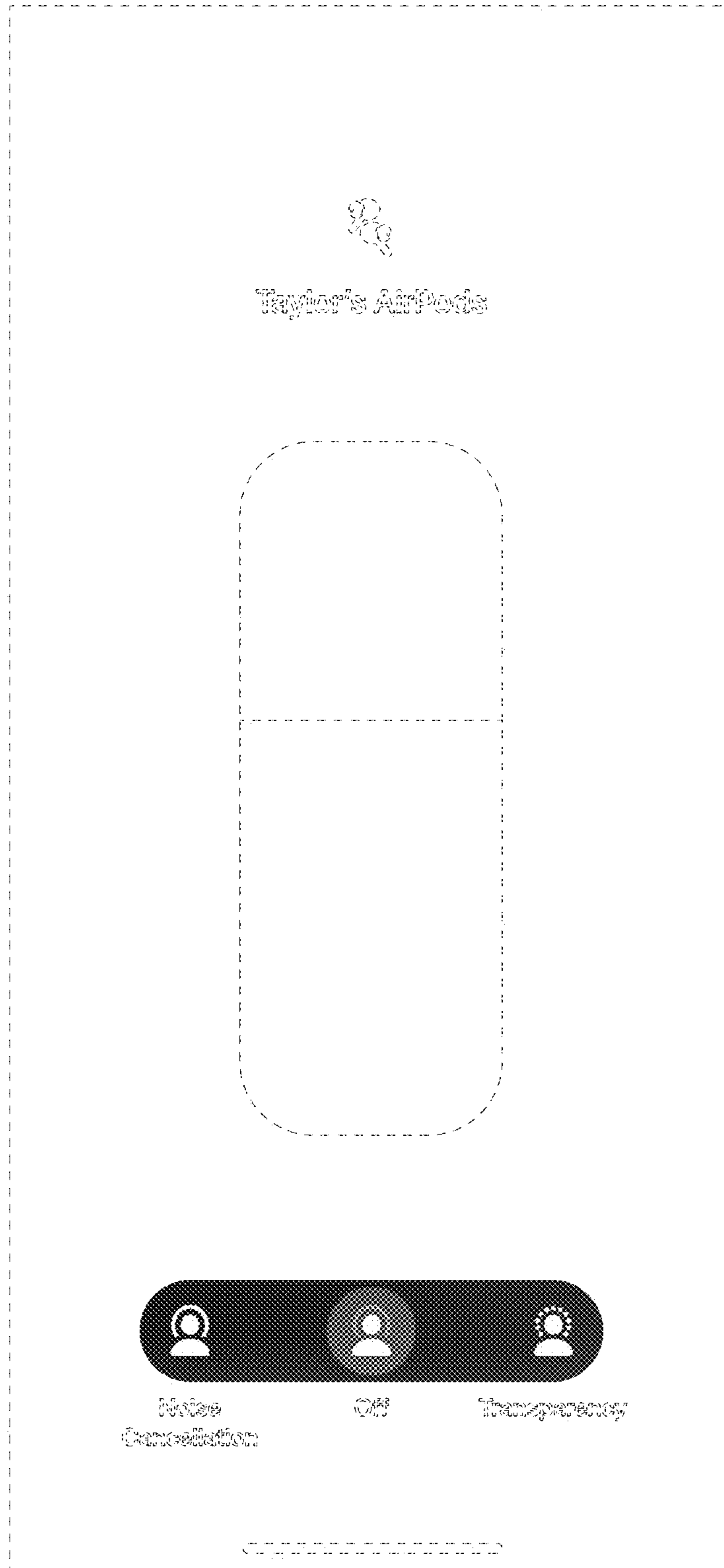


FIG. 1

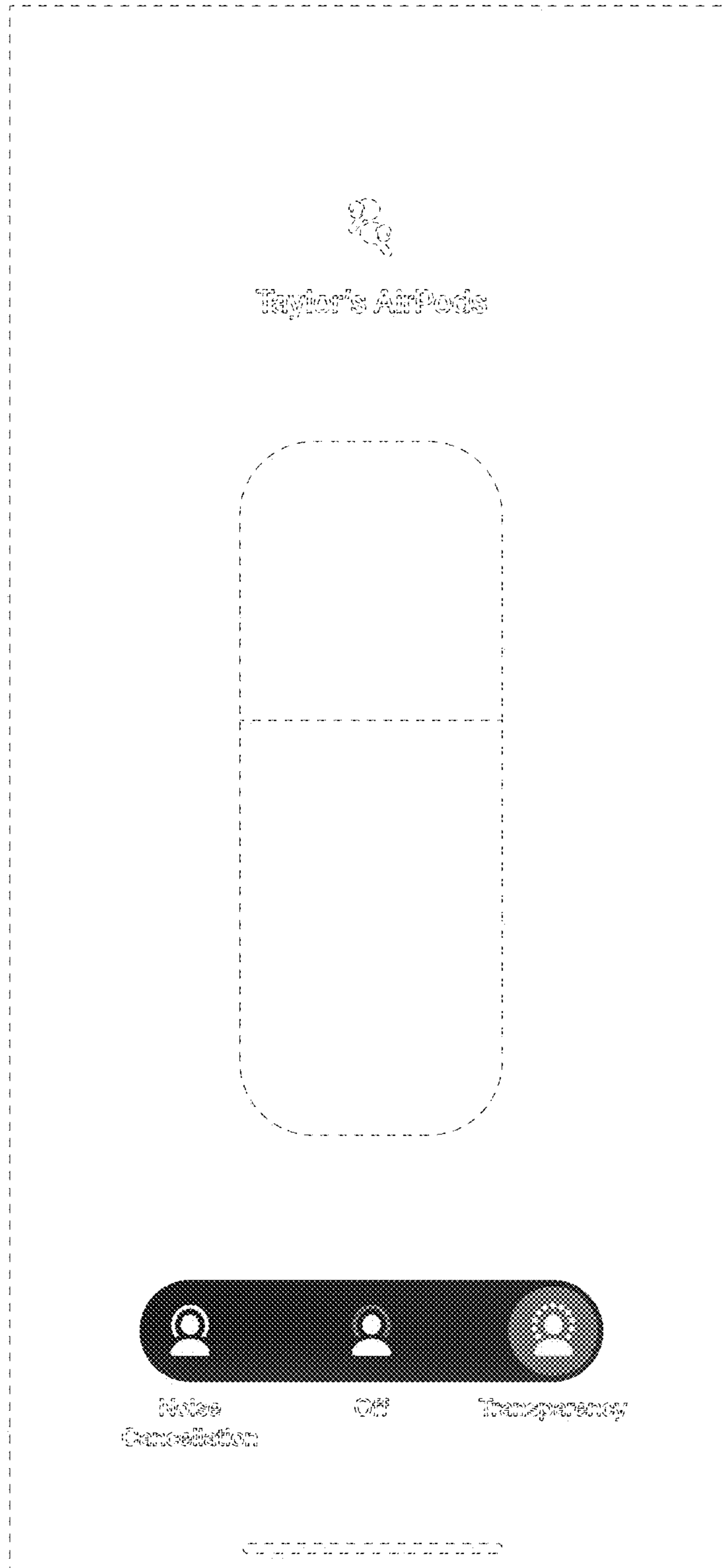


FIG. 2

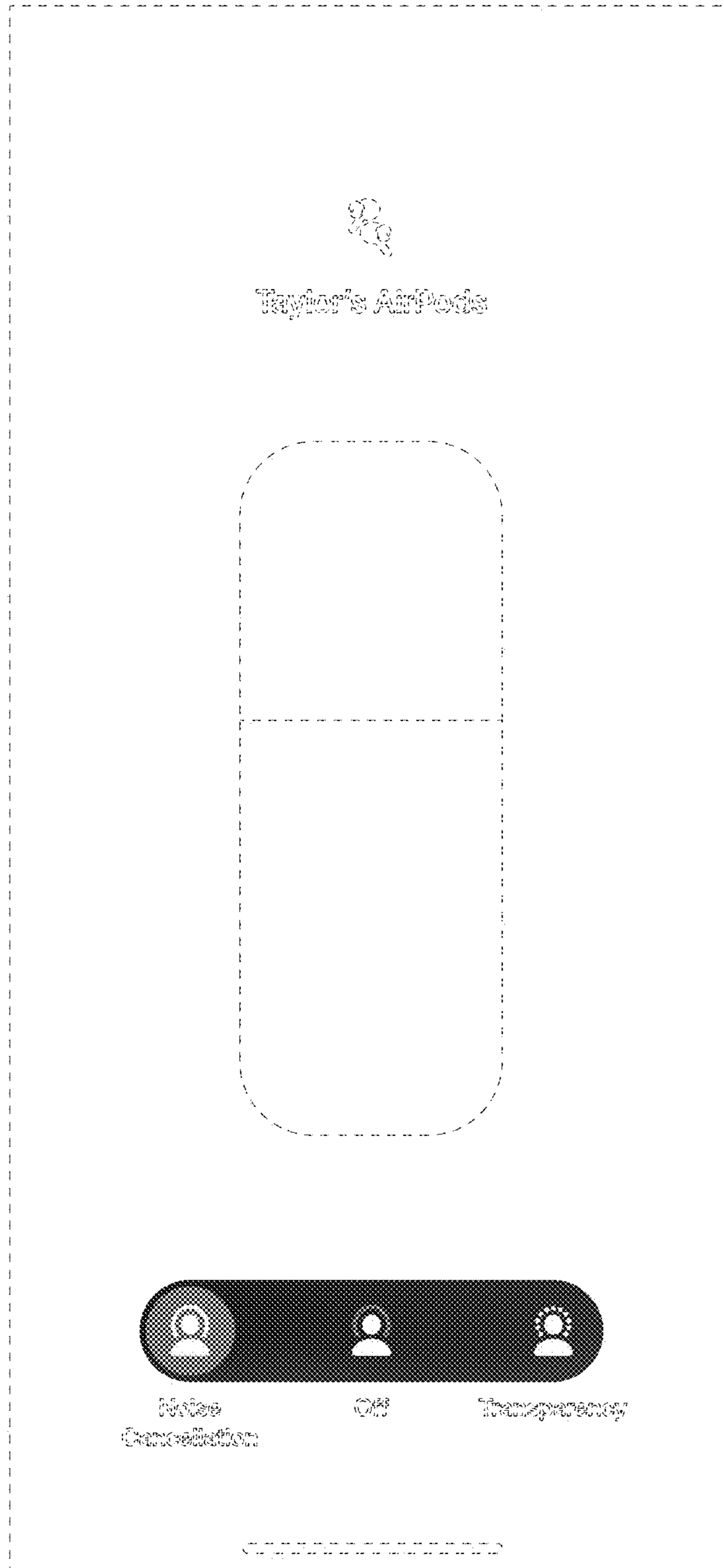


FIG. 3

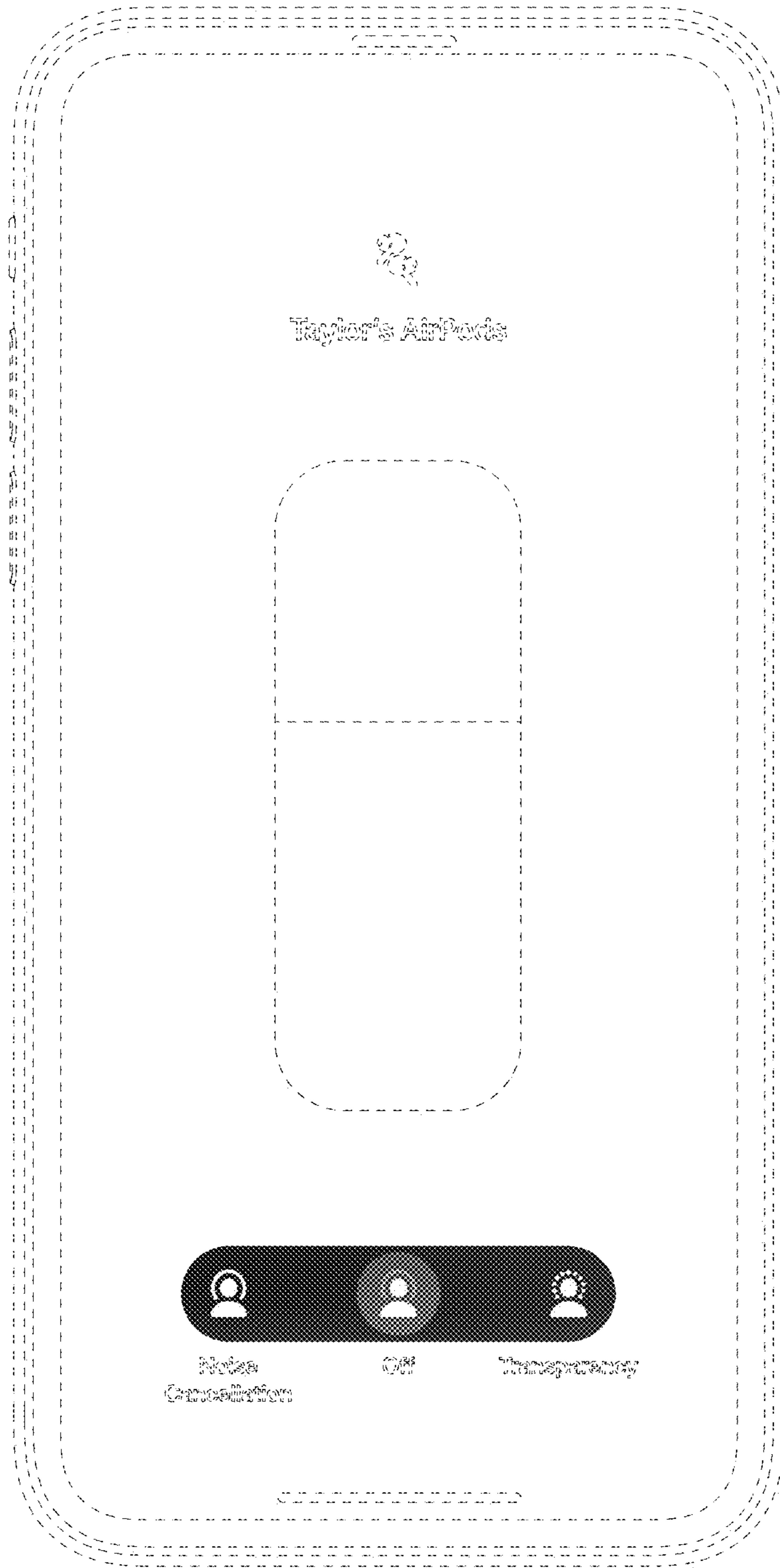


FIG. 4

UNITED STATES PATENT AND TRADEMARK OFFICE
CERTIFICATE OF CORRECTION

PATENT NO. : D954,083 S
APPLICATION NO. : 29/787441
DATED : June 7, 2022
INVENTOR(S) : Taylor Gerard Carrigan et al.

Page 1 of 1

It is certified that error appears in the above-identified patent and that said Letters Patent is hereby corrected as shown below:


On the Title Page

In the Description section, Line 6, please replace:

“FIG. 3 is a third image thereof; and,”

With:

--FIG. 3 is a third image thereof.--

Signed and Sealed this
First Day of November, 2022

Katherine Kelly Vidal
Director of the United States Patent and Trademark Office