



US00D954073S

(12) **United States Design Patent**
Niklasson et al.

(10) **Patent No.: US D954,073 S**
(45) **Date of Patent: ** Jun. 7, 2022**

(54) **DISPLAY SCREEN OR PORTION THEREOF WITH ANIMATED GRAPHICAL USER INTERFACE**

D758,443 S * 6/2016 Kang D14/492
D767,604 S 9/2016 Wiley et al.
D776,702 S 1/2017 Huang et al.
(Continued)

(71) Applicant: **Polestar Performance AB**, Gothenburg (SE)

OTHER PUBLICATIONS

(72) Inventors: **Kim Niklasson**, Gothenburg (SE);
Jesper Nord, Gothenburg (SE);
Fredrik Gruber, Gothenburg (SE);
Dan Persson, Gothenburg (SE); **Pär Heyden**, Gothenburg (SE)

Polestar App Entry Concept, by Kormis, dribbble.com [online], published on Sep. 10, 2018, [retrieved on Jan. 29, 2021], retrieved from the Internet <URL: https://dribbble.com/shots/5141580-Polestar-App-Entry-Concept> (Year: 2018).*

(Continued)

(73) Assignee: **Polestar Performance AB**, Gothenburg (SE)

Primary Examiner — Ian F Whitmore

(74) *Attorney, Agent, or Firm* — Patterson Thuent Pedersen, P.A.

(**) Term: **15 Years**

(57) **CLAIM**

(21) Appl. No.: **29/734,559**

We claim the ornamental design for a display screen or portion thereof with animated graphical user interface, as shown and described.

(22) Filed: **May 13, 2020**

(51) **LOC (13) Cl.** **14-04**

(52) **U.S. Cl.**
USPC **D14/485**

DESCRIPTION

(58) **Field of Classification Search**
USPC D14/485–495; D20/10, 11, 22–33, 39, D20/40
CPC G06F 3/048–04897; G06F 17/5095; G01C 21/36; G08G 1/0962; G08G 1/123; B60K 37/00; G06Q 30/0281; G06Q 10/06; G06Q 10/063114; G06Q 10/10; G06Q 10/109

FIG. 1 is a front view of a display screen or portion thereof with animated graphical user interface showing a first image.

FIG. 2 is the second image thereof.

FIG. 3 is the third image thereof.

FIG. 4 is the fourth image thereof; and,

FIG. 5 is the fifth image thereof.

The appearance of the animated image sequentially transitions between the images shown in FIGS. 1-5. The process or period in which one image transitions to another forms no part of the claimed design.

The inner round-cornered vertically-oriented broken-line rectangle illustrates the perimeter of a display screen. The broken lines outside this perimeter illustrate an electronic device. The broken lines within this perimeter illustrate portions of the graphical user interface. The broken lines form no part of the claimed design.

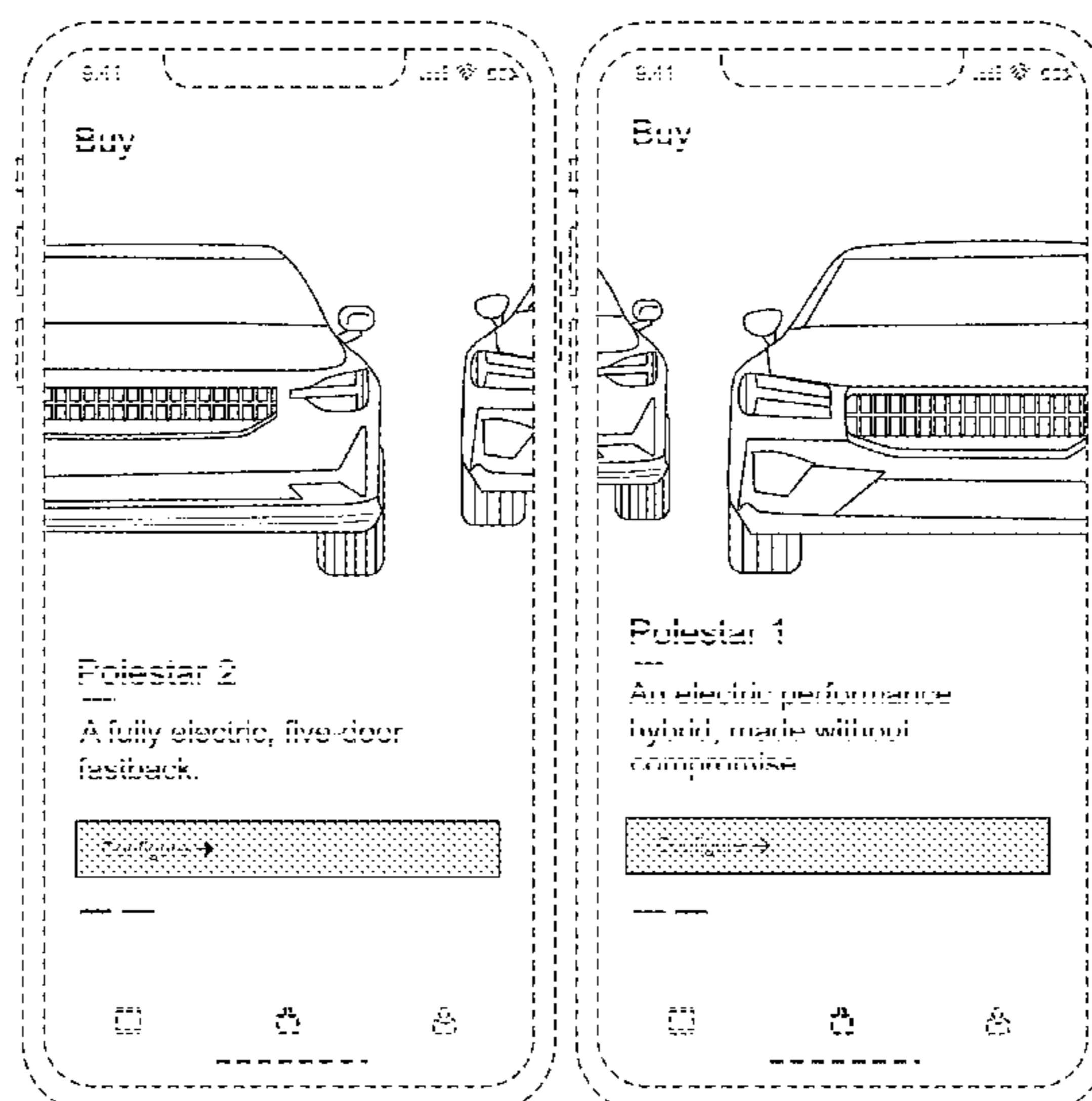
See application file for complete search history.

(56) **References Cited**

U.S. PATENT DOCUMENTS

D624,927 S 10/2010 Allen et al.
D656,157 S 3/2012 Khan et al.
D689,510 S 9/2013 Rodrigues et al.
8,597,093 B2 12/2013 Engelberg et al.
D757,036 S 5/2016 Raskin et al.
D758,424 S 6/2016 Ding et al.

1 Claim, 5 Drawing Sheets



(56)

References Cited

U.S. PATENT DOCUMENTS

D791,156 S * 7/2017 Chen D14/486
 D797,753 S 9/2017 Agarwal
 D813,264 S 3/2018 Tussy
 D815,659 S 4/2018 Spector
 D819,648 S 6/2018 Hasaballah et al.
 D819,695 S 6/2018 Rowe et al.
 D820,312 S * 6/2018 Rowe D14/492
 D831,060 S 10/2018 Bachman et al.
 D832,287 S 10/2018 Chaudhri et al.
 D834,602 S 11/2018 Bao
 D836,124 S 12/2018 Fan
 D837,260 S 1/2019 Lee et al.
 D838,733 S 1/2019 Grossman et al.
 D840,425 S 2/2019 VanDuyen et al.
 D845,323 S 4/2019 Clediere et al.
 D851,110 S 6/2019 Bang et al.
 D854,043 S 7/2019 van Zyl et al.
 D859,446 S * 9/2019 Westerhold D14/486
 D863,329 S 10/2019 Hu
 D869,487 S 12/2019 Barthold et al.
 D882,623 S 4/2020 van Zyl et al.
 D887,424 S 6/2020 Fukushima et al.
 D889,508 S 7/2020 Kane et al.
 D896,242 S 9/2020 Pitta et al.
 D900,124 S 10/2020 Matas
 D900,844 S 11/2020 VanDuyen et al.
 D903,703 S 12/2020 Lindberg
 D905,085 S 12/2020 Lindberg
 D905,096 S * 12/2020 Zimmer D14/488
 D905,723 S * 12/2020 Lundin D14/486
 D906,361 S 12/2020 Kunzman
 D906,365 S * 12/2020 Farmer D14/489
 10,904,211 B2 1/2021 Cholleton
 D910,697 S 2/2021 Lemay et al.
 D911,382 S 2/2021 Devine et al.
 D915,435 S * 4/2021 Yan D14/486
 D916,734 S 4/2021 Kuroda et al.
 D916,766 S 4/2021 McGee et al.
 D916,786 S 4/2021 Clediere et al.
 D916,794 S 4/2021 Li et al.
 D916,814 S * 4/2021 Westerhold D14/486
 D916,844 S 4/2021 Liu
 D916,917 S 4/2021 Stipech et al.
 D917,518 S * 4/2021 Lunaparra D14/486
 D917,522 S 4/2021 Navasca
 10,969,949 B2 * 4/2021 Teshima G06F 3/04845
 D918,236 S 5/2021 Kim et al.
 D918,930 S 5/2021 Dill et al.
 11,003,325 B2 5/2021 Ku et al.
 D921,697 S * 6/2021 Hong D14/490
 D922,399 S * 6/2021 Desai D14/485
 D922,419 S * 6/2021 Lynne D14/486
 D927,521 S * 8/2021 Hartman D14/486
 D934,275 S 10/2021 Paul
 D937,863 S 12/2021 Choi et al.
 D938,462 S 12/2021 Choi et al.
 2014/0059483 A1 2/2014 Mairs et al.
 2014/0282016 A1 9/2014 Hosier, Jr.
 2014/0283142 A1 9/2014 Shepherd et al.

2015/0074573 A1 * 3/2015 Teshima G06F 3/04883
 715/765
 2015/0319203 A1 * 11/2015 Jeremias G06Q 30/0641
 715/753
 2015/0332424 A1 11/2015 Kane et al.
 2017/0282717 A1 10/2017 Jang et al.
 2018/0374571 A1 12/2018 Garner et al.
 2019/0312985 A1 * 10/2019 Yeap G06K 9/3208

OTHER PUBLICATIONS

Car Explorer 360, by Cleveroad, dribbble.com [online], published on May 17, 2016, [retrieved on Jan. 29, 2021], retrieved from the Internet <URL: <https://dribbble.com/shots/2719523-Car-Explorer-360-Animation>> (Year: 2016).*

Polestar, appadvice.com [online], published on Dec. 16, 2020, [retrieved on Jan. 29, 2021], retrieved from the Internet <URL: <https://appadvice.com/app/polestar/1451196635>> (Year: 2020).*

Luxury Car Rental, by Nikonorov, dribbble.com [online], published on Feb. 18, 2019, [retrieved on Jan. 29, 2021], retrieved from the Internet <URL: <https://dribbble.com/shots/6037210-Luxury-Car-Rental>> (Year: 2019).

Paralax with Studio Car App, by Ernest, dribbble.com [online], published on Sep. 7, 2018, [retrieved on Jan. 29, 2021], retrieved from the Internet <URL: <https://dribbble.com/shots/5130901-Paralax-with-studio-Car-app-ios>> (Year: 2018).

Car Rental App—Concept, by Nabyl, dribbble.com [online], published on Sep. 14, 2019, [retrieved on Jan. 29, 2021], retrieved from the Internet <URL: <https://dribbble.com/shots/7145688-Car-Rental-App-Concept>> (Year: 2019).

Tab Bar Interaction v2, by Aashish, dribbble.com [online], published on Nov. 6, 2019, [retrieved on Jan. 29, 2021], retrieved from the Internet <URL: <https://dribbble.com/shots/5506086-Tab-Bar-Interaction-v2>> (Year: 2019).

Google: 5 Android Apps That Are Yet “Undiscovered” by Users, Salim, digitalinformationworlds.com [online], published on Dec. 7, 2018, [retrieved on Jan. 30, 2021], retrieved from the Internet <URL: <https://www.digitalinformationworld.com/2018/12/google-named-5-hidden-gem-android-apps.html>> (Year: 2018).

9GAG Nine Years App, by Hitchcock, dribbble.com [online], published on Sep. 30, 2019, [retrieved on Feb. 4, 2021], retrieved from the Internet <URL: <https://dribbble.com/shots/7279125-9GAG-Nine-Years-App>> (Year: 2019).

iOS Design Guidelines, by Kennedy, learnui.design [online], published on Feb. 12, 2020, [retrieved on Feb. 4, 2021], retrieved from the Internet <URL: <https://learnui.design/blog/ios-design-guidelines-templates.html>> (Year: 2020).

Application and File history for U.S. Appl. No. 29/734,558, filed May 13, 2020. Inventors: Niklasson et al.

Application and File history for U.S. Appl. No. 29/734,560, filed May 13, 2020. Inventors: Niklasson et al.

Application and File history for U.S. Appl. No. 29/734,561, filed May 13, 2020. Inventors: Niklasson et al.

App Car Repair Concept, by Sibiriakov, dribbble.com [online], published on Jun. 7, 2019, [retrieved on Jan. 29, 2021], the Internet <URL: <https://dribbble.com/shots/6597042-App-car-repair-concept>> (Year: 2019).

* cited by examiner

FIG. 1

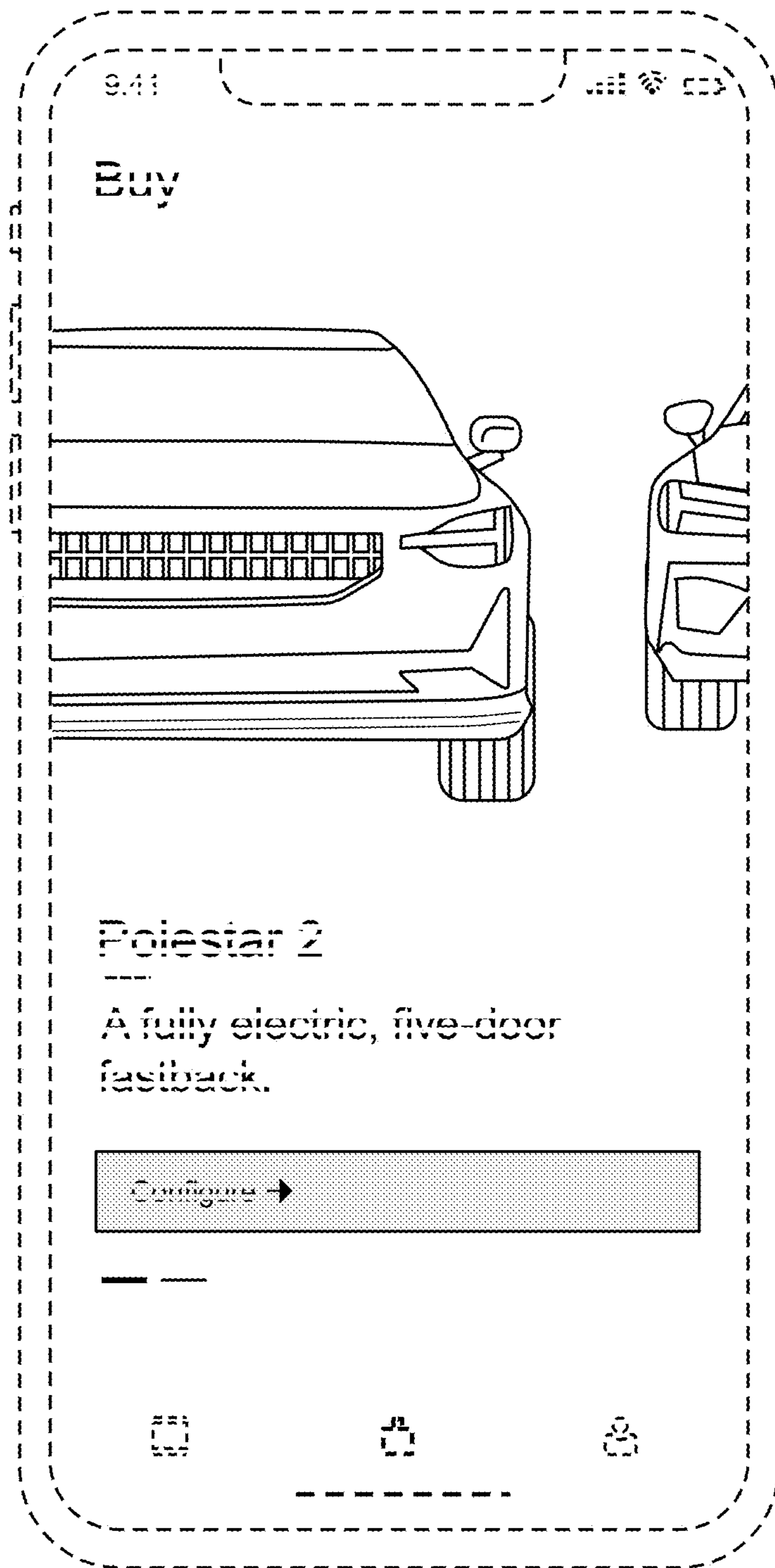


FIG. 2

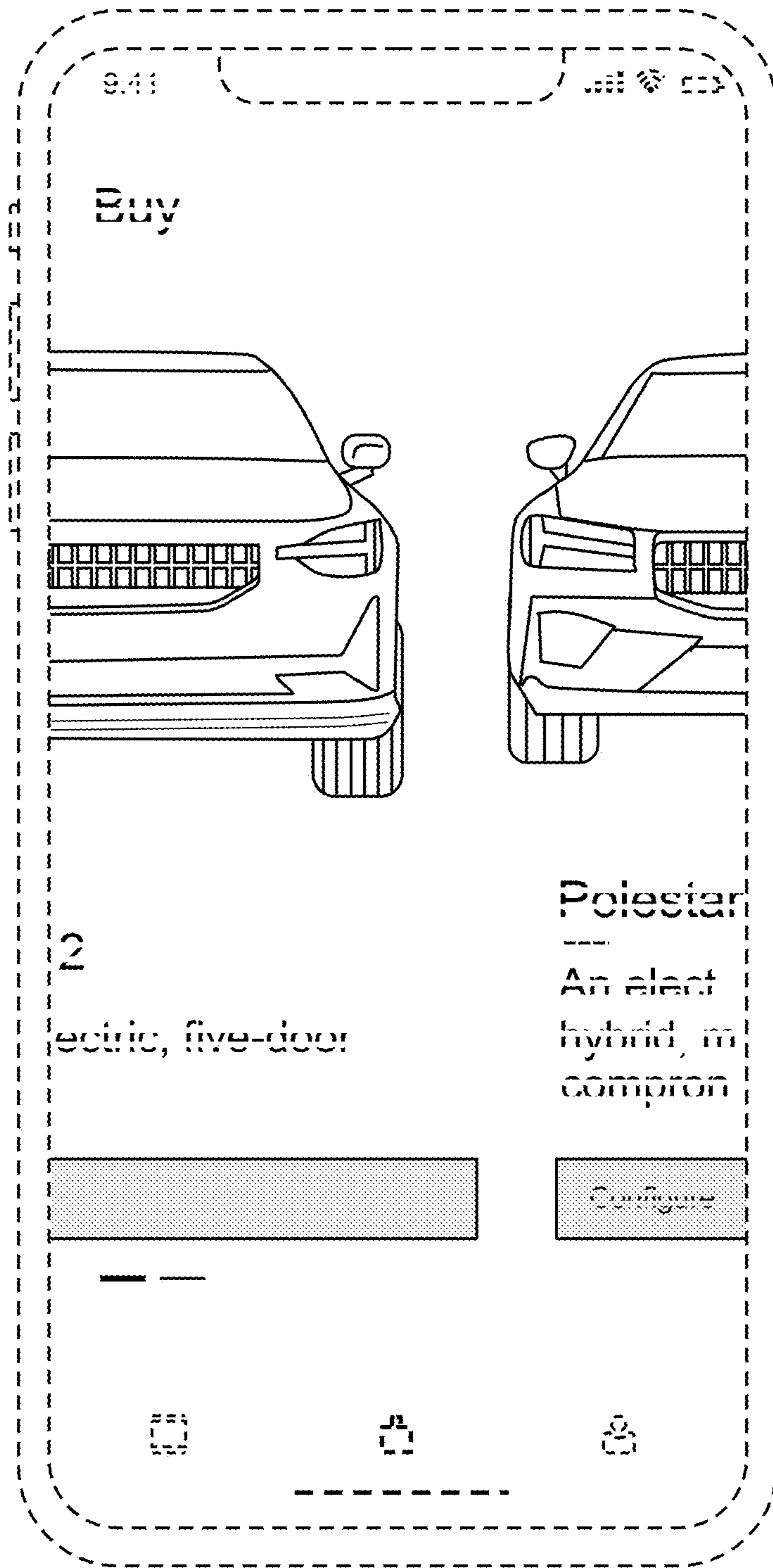


FIG. 3

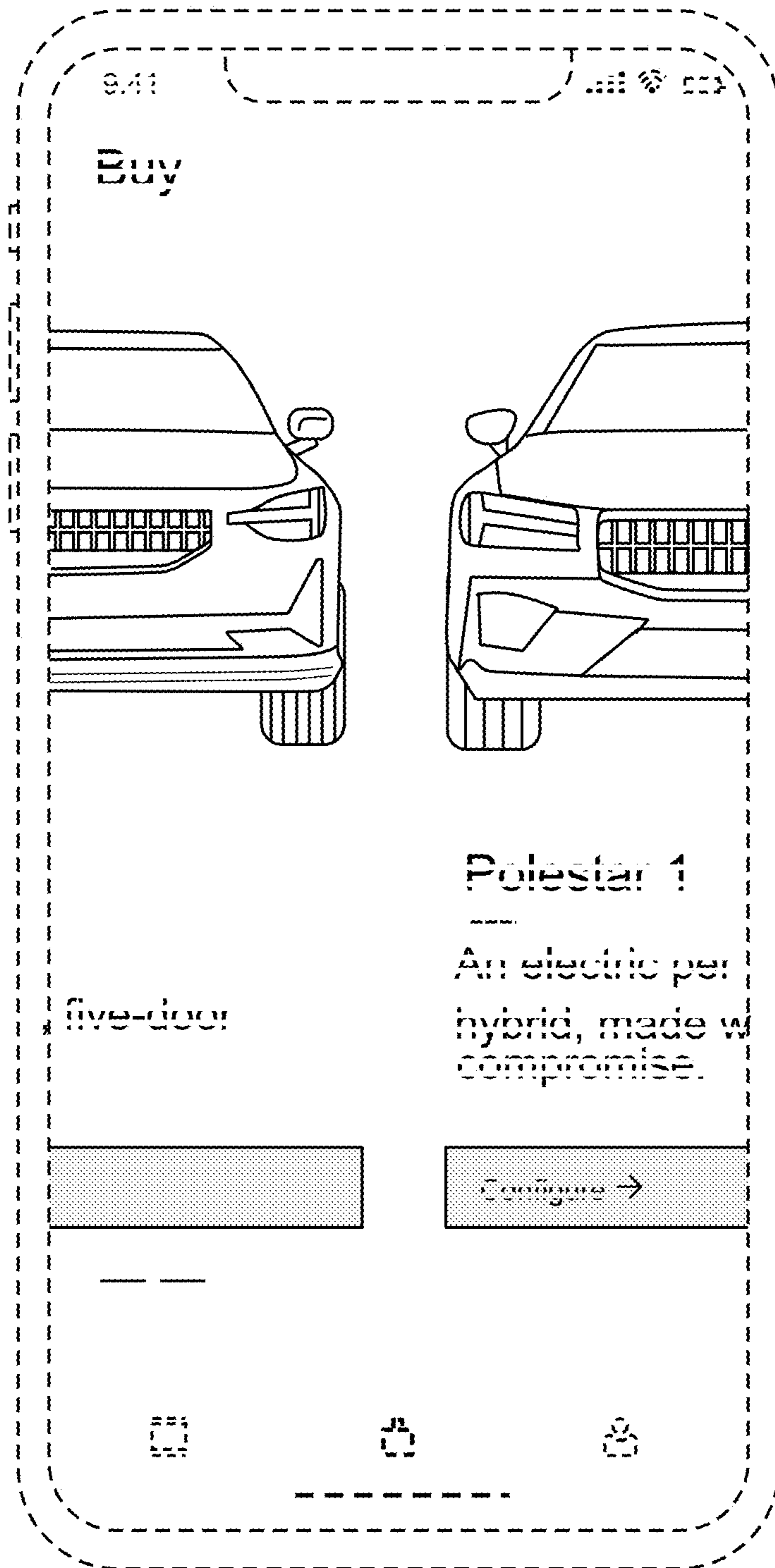


FIG. 4

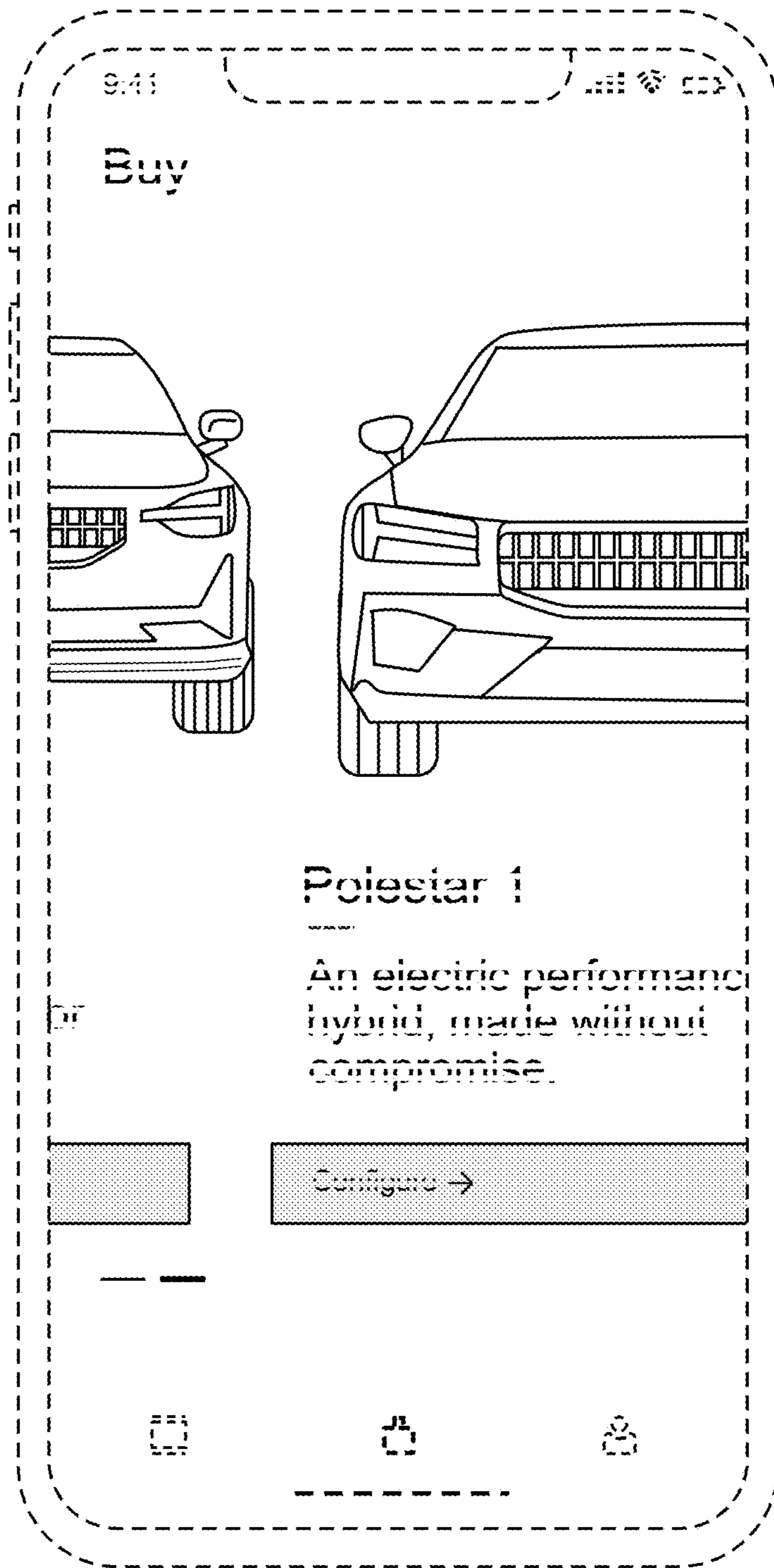


FIG. 5

