



US00D954067S

(12) **United States Design Patent**
Chang et al.

(10) **Patent No.:** **US D954,067 S**
(45) **Date of Patent:** **** Jun. 7, 2022**

(54) **SCREEN WITH GRAPHICAL USER INTERFACE**

(71) Applicant: **Bionime Corporation**, Taichung (TW)

(72) Inventors: **Ming Luen Chang**, Taichung (TW);
Yung Jung Peng, Taichung (TW); **Yu Chieh Lee**, Taichung (TW); **Yu Xian Liao**, Taichung (TW)

(**) Term: **15 Years**

(21) Appl. No.: **29/697,239**

(22) Filed: **Jul. 5, 2019**

(51) **LOC (13) Cl.** **14-04**

(52) **U.S. Cl.**
USPC **D14/485**

(58) **Field of Classification Search**
USPC D14/485-495; D20/10, 11, 22-33, 39,
D20/40; D5/20, 26, 30, 40, 63-65
CPC . G06F 3/048-3/04897; G06F 19/3456; A61M
2205/35; A61M 5/003; A61M 2039/0205;
A61M 2205/505
See application file for complete search history.

(56) **References Cited**

U.S. PATENT DOCUMENTS

D689,089 S *	9/2013	Impas	D14/489
D745,046 S *	12/2015	Shin	D14/489
D761,857 S *	7/2016	Mariet	D14/491
D773,529 S *	12/2016	Cabrera, Jr.	D14/490
D777,200 S *	1/2017	Luo	D14/488
D778,926 S *	2/2017	Yamazaki	D14/485
D789,391 S *	6/2017	Cabrera, Jr.	D14/486
D791,785 S *	7/2017	Eze	D14/485
D839,897 S *	2/2019	Graham	D14/486

(Continued)

FOREIGN PATENT DOCUMENTS

GB 9007446562-0001 * 12/2019

OTHER PUBLICATIONS

Arrow Animation, by Muspratt, freefrontend.com [online], published on Jan. 10, 2014, [retrieved on Sep. 20, 2021], retrieved from the Internet <URL: <https://freefrontend.com/css-arrows/>> (Year: 2014).*

(Continued)

Primary Examiner — Ian F Whitmore

(57) **CLAIM**

The ornamental design for a screen with a graphical user interface, as shown and described.

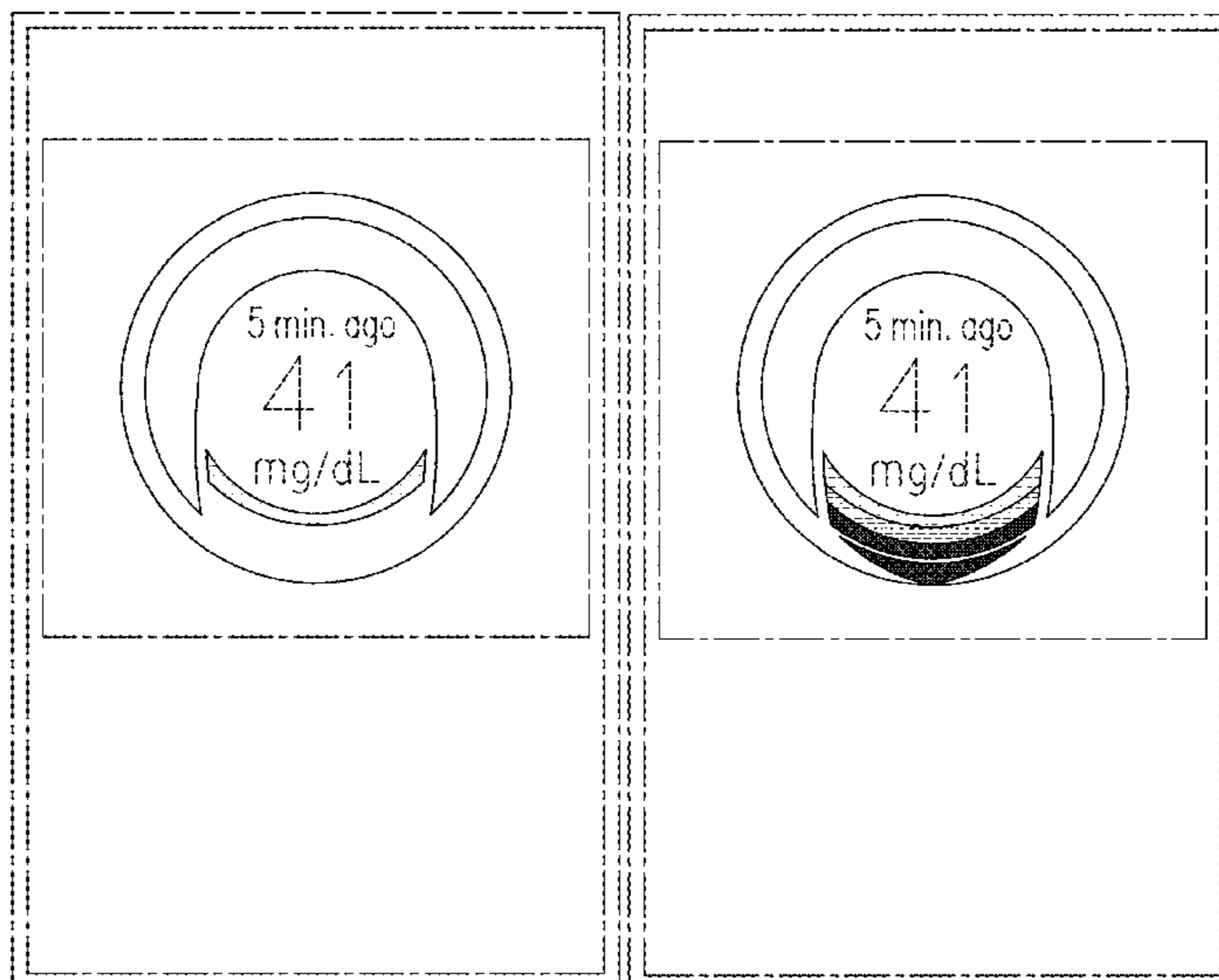
DESCRIPTION

FIG. 1 is a front view of a screen with graphical user interface showing the first image in a transitional sequence according to the claimed design; FIG. 2 shows a second image thereof; FIG. 3 shows a third image thereof; FIG. 4 shows a fourth image thereof; and FIG. 5 shows a fifth image thereof.

FIG. 6 is a front view of a screen with graphical user interface showing the first image of the claimed design of FIGS. 1-5 depicted in an alternative broken-line context; FIG. 7 shows a second image thereof; FIG. 8 shows a third image thereof; FIG. 9 shows a fourth image thereof; and, FIG. 10 shows a fifth image thereof.

The appearance of the transitional image sequentially transitions between the images shown in FIGS. 1-5, as also shown in FIGS. 6-10. The process or period in which one image transitions to another image forms no part of the claimed design. The patterns of line segments that are shown within the inner two concentric bands form no part of the claimed design. The dot-dashed and dashed broken lines shown in the drawings form no part of the claimed design. The outermost broken line rectangle in FIGS. 1-10 shows the screen and forms no part of the claimed design.

1 Claim, 10 Drawing Sheets



(56)

References Cited

U.S. PATENT DOCUMENTS

D844,642 S * 4/2019 Cabrera, Jr. D14/485
D847,159 S * 4/2019 Cabrera, Jr. D14/485
D870,773 S * 12/2019 Marrufo D14/489
D891,467 S * 7/2020 Kouva D14/491
11,029,775 B2 * 6/2021 Mori G06F 3/04812
D930,681 S * 9/2021 Drew D14/486
D938,489 S * 12/2021 Kataoka D14/491
D938,973 S * 12/2021 Sun D14/485
D940,731 S * 1/2022 Collins D14/485
D942,503 S * 2/2022 Yoshio D14/489
2016/0065413 A1 * 3/2016 Sundermeyer G06F 3/0482
370/254
2016/0183792 A1 * 6/2016 Koehler A61B 5/7455
600/365
2016/0324463 A1 * 11/2016 Simpson A61B 5/0077
2017/0336905 A1 * 11/2017 Palau G06F 3/04812
2018/0042559 A1 * 2/2018 Cabrera, Jr. G06F 3/0488

OTHER PUBLICATIONS

Bionime Rightest CGM Continuous Glucose Monitoring System,
by Rightest 瑞特, YouTube [online], published on Aug. 10, 2020, [
retrieved on Sep. 20, 2021], retrieved from the Internet <URL:
<https://www.youtube.com/watch?v=dSzBJQF2zAw>> (Year: 2020).*

* cited by examiner

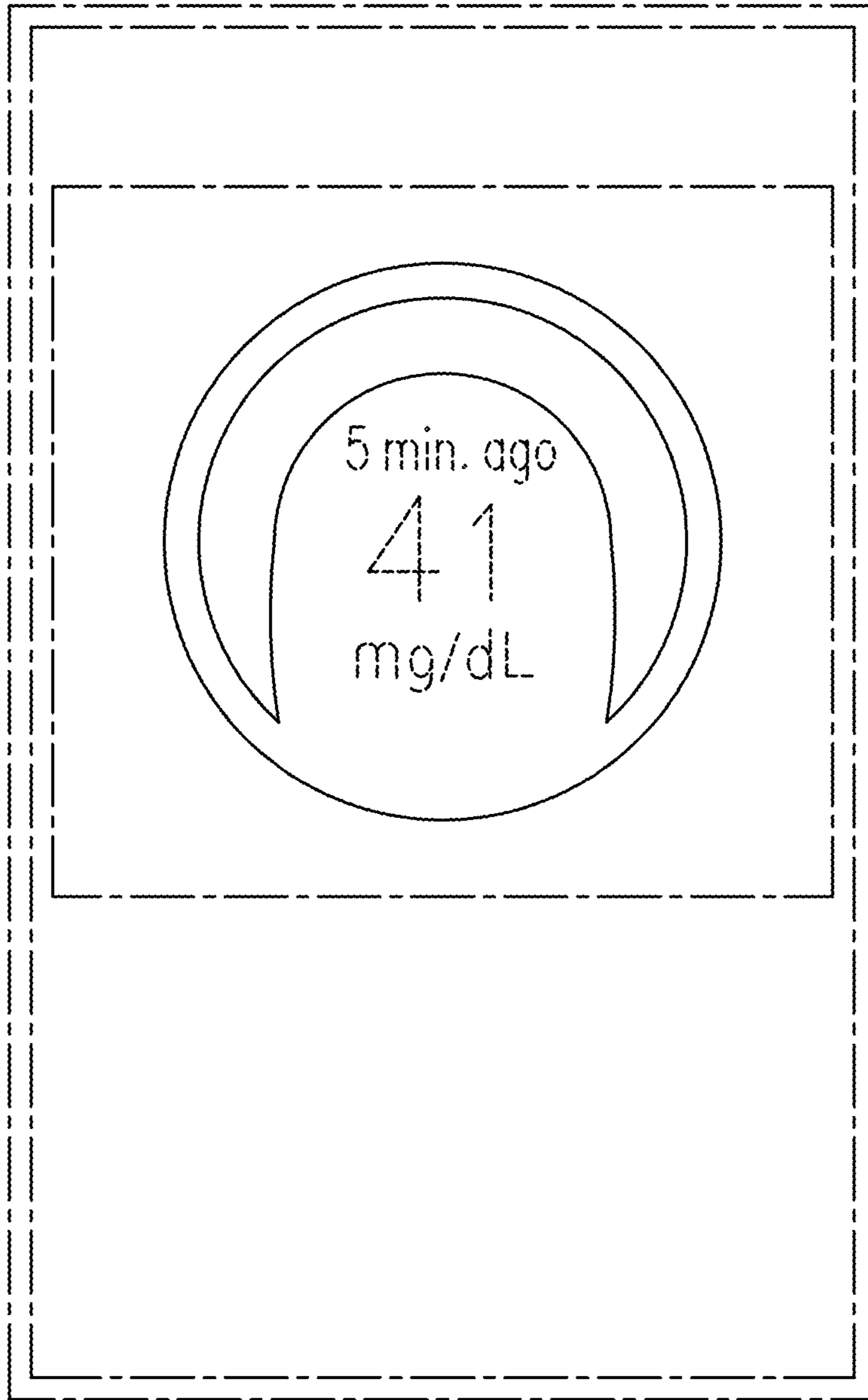


FIG. 1

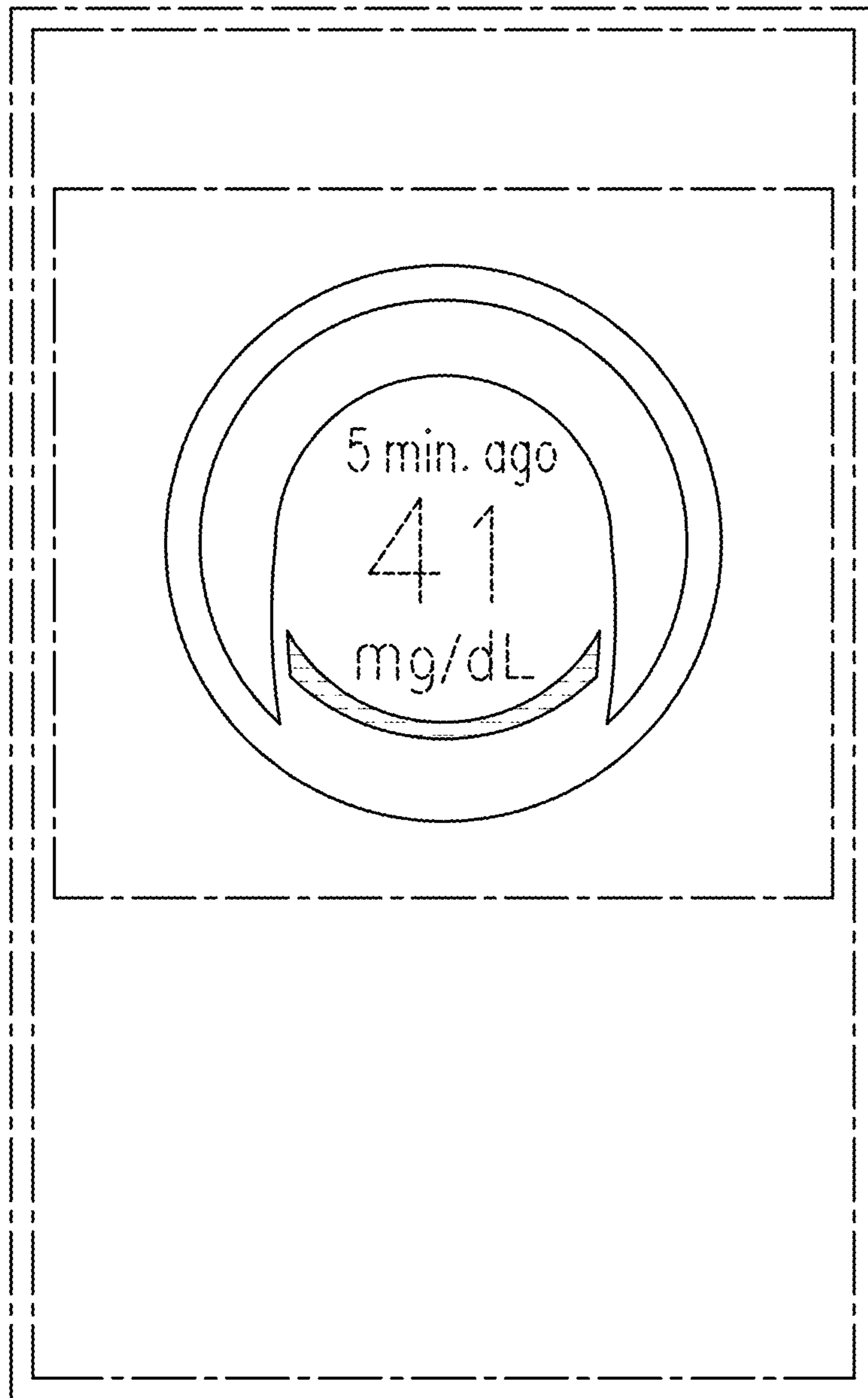


FIG. 2

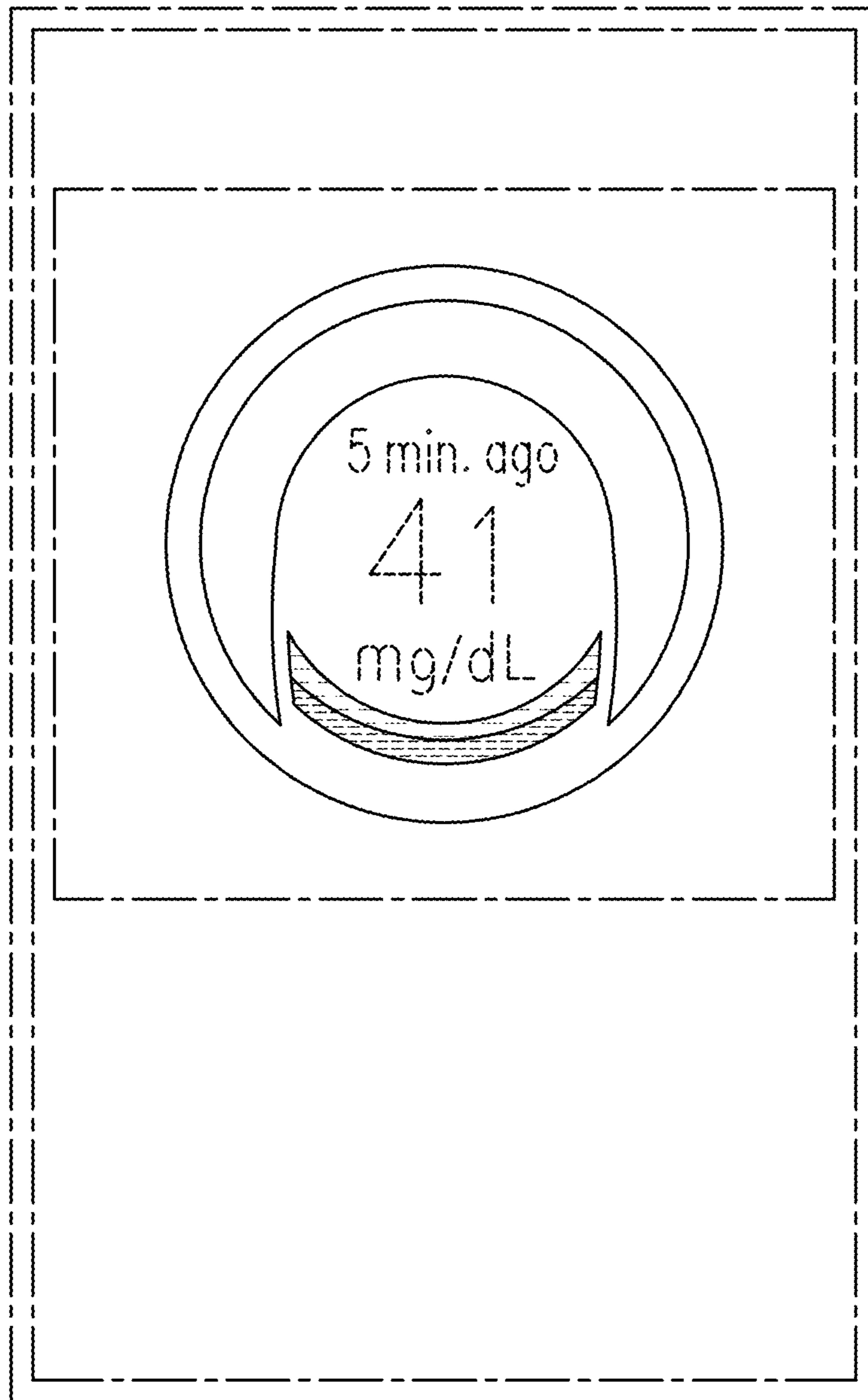


FIG. 3

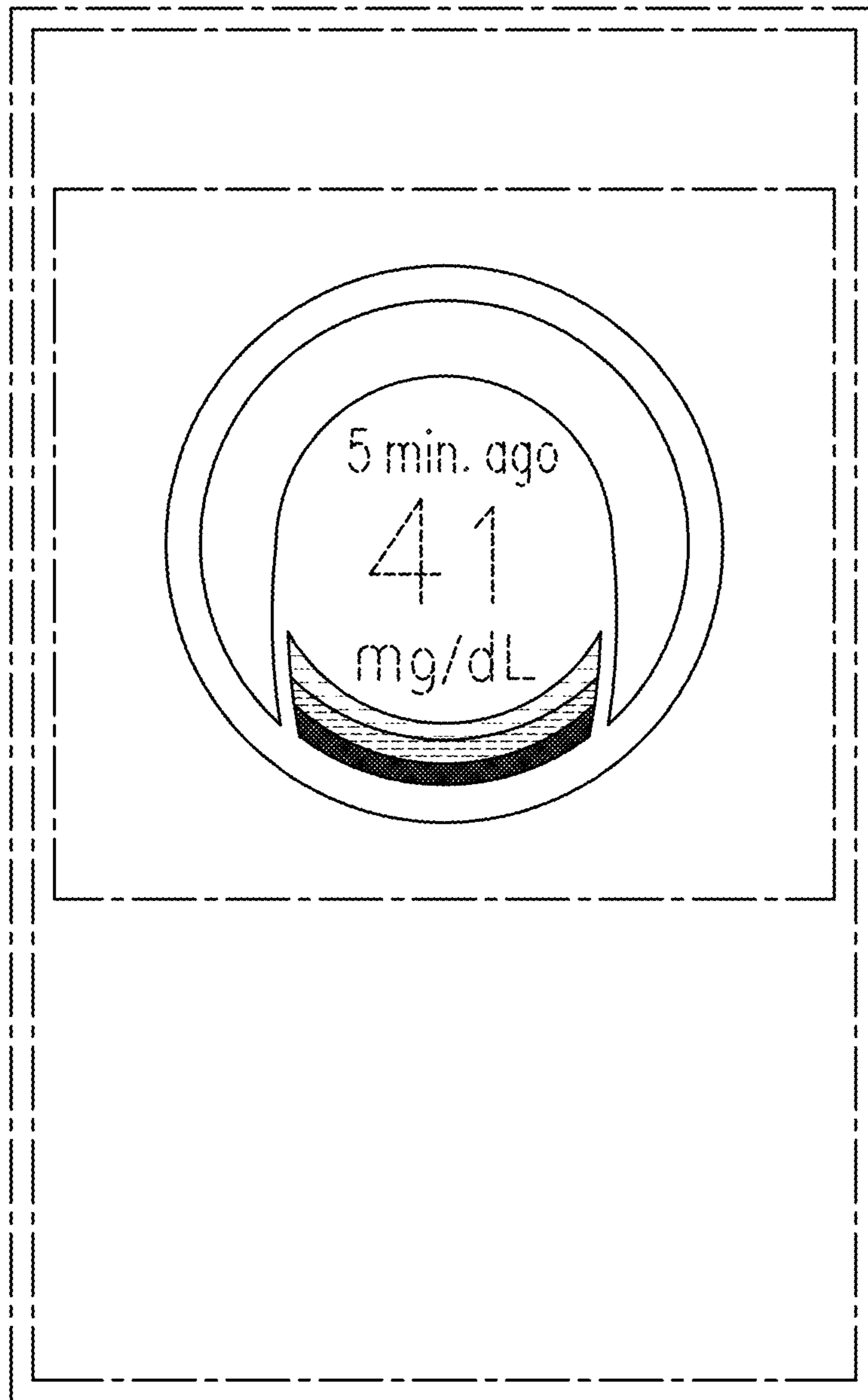


FIG. 4

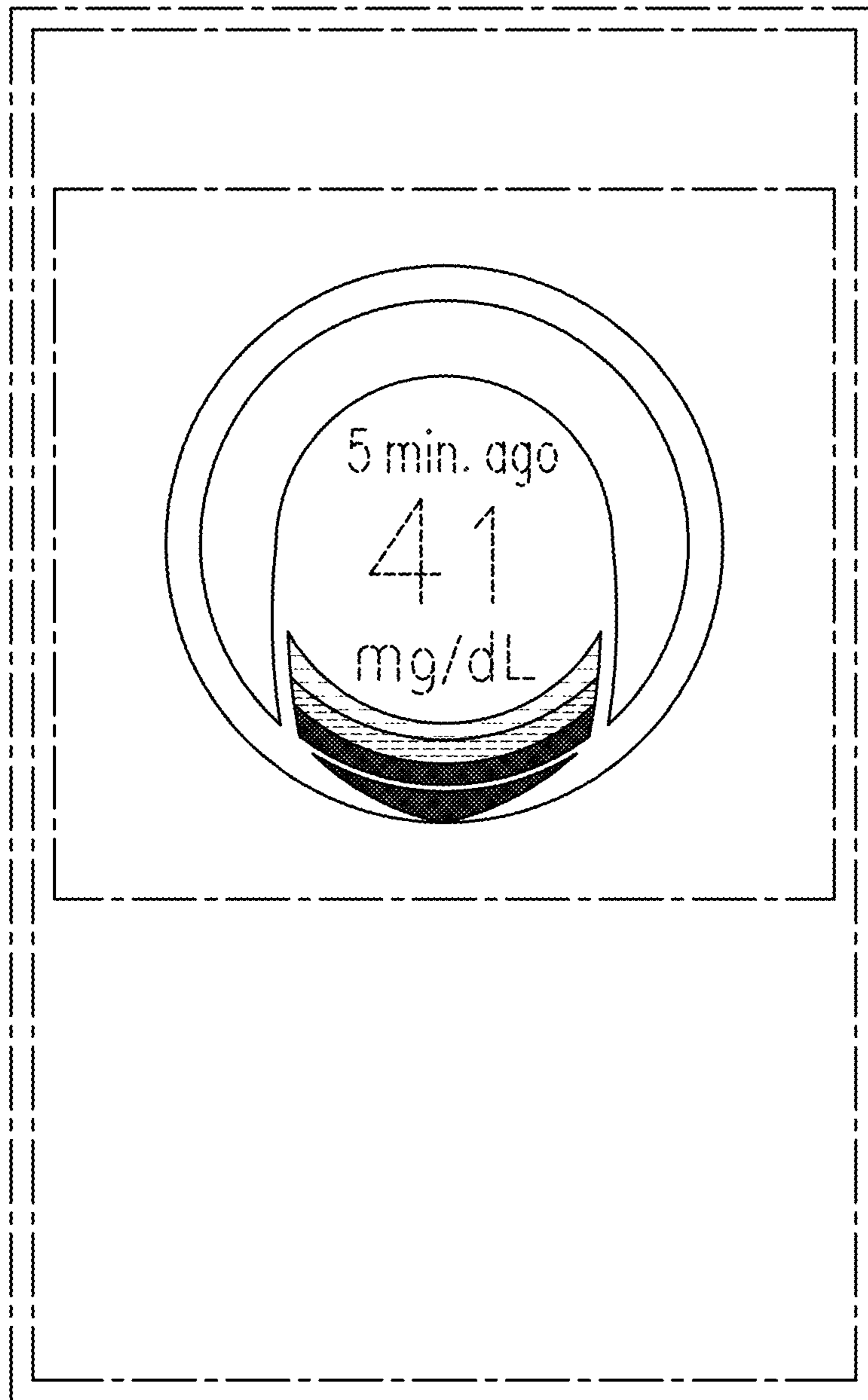


FIG. 5

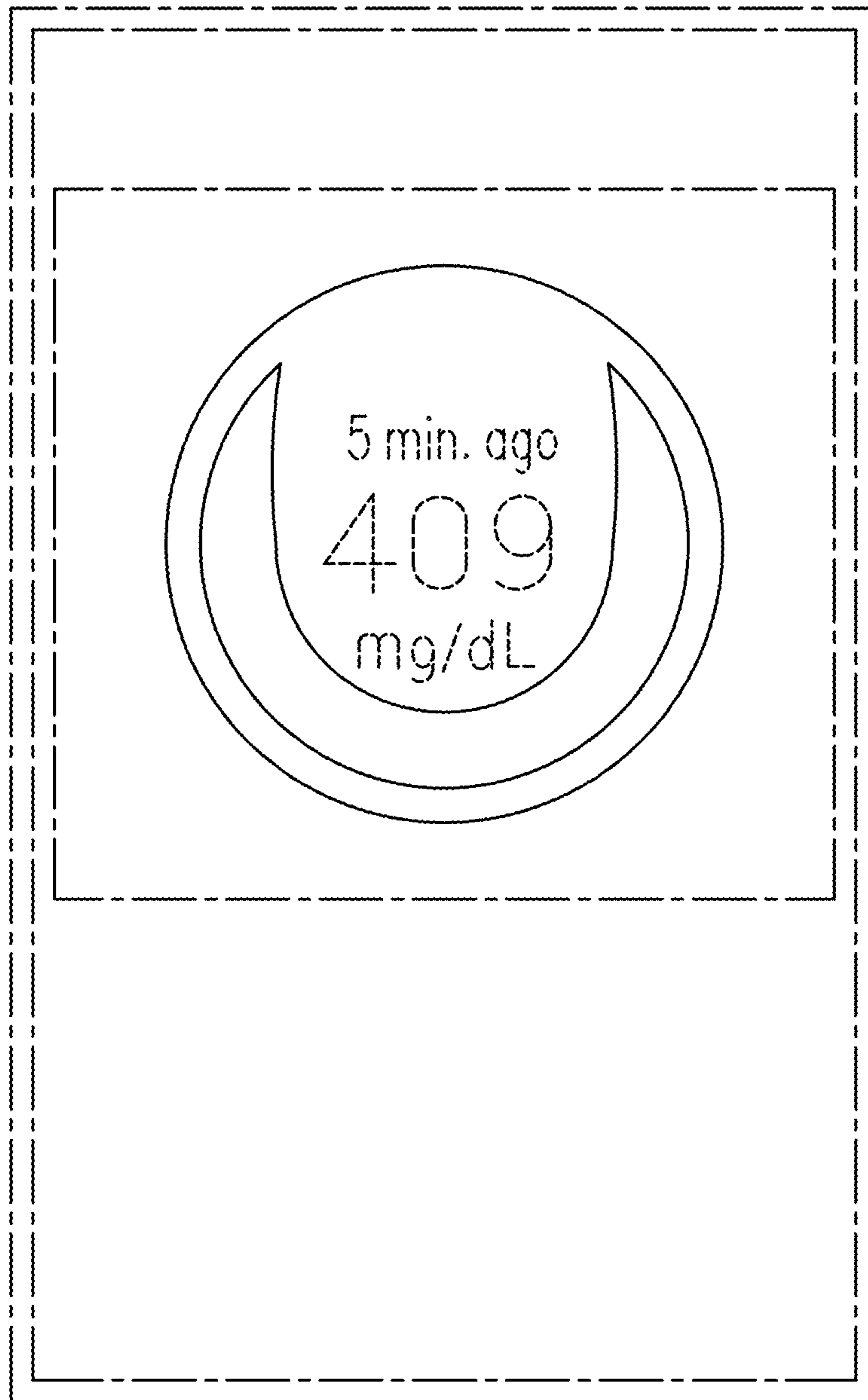


FIG. 6

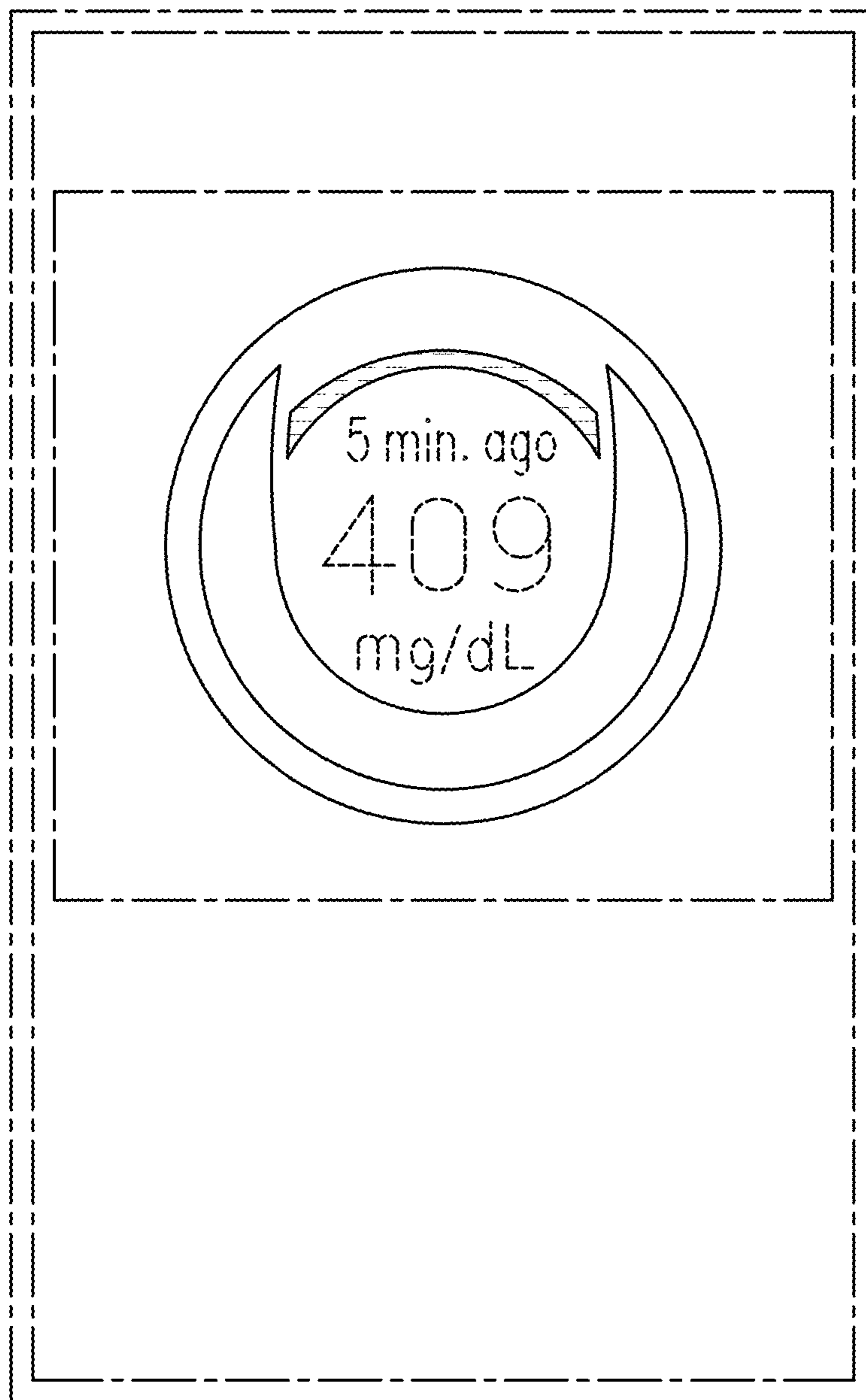


FIG. 7

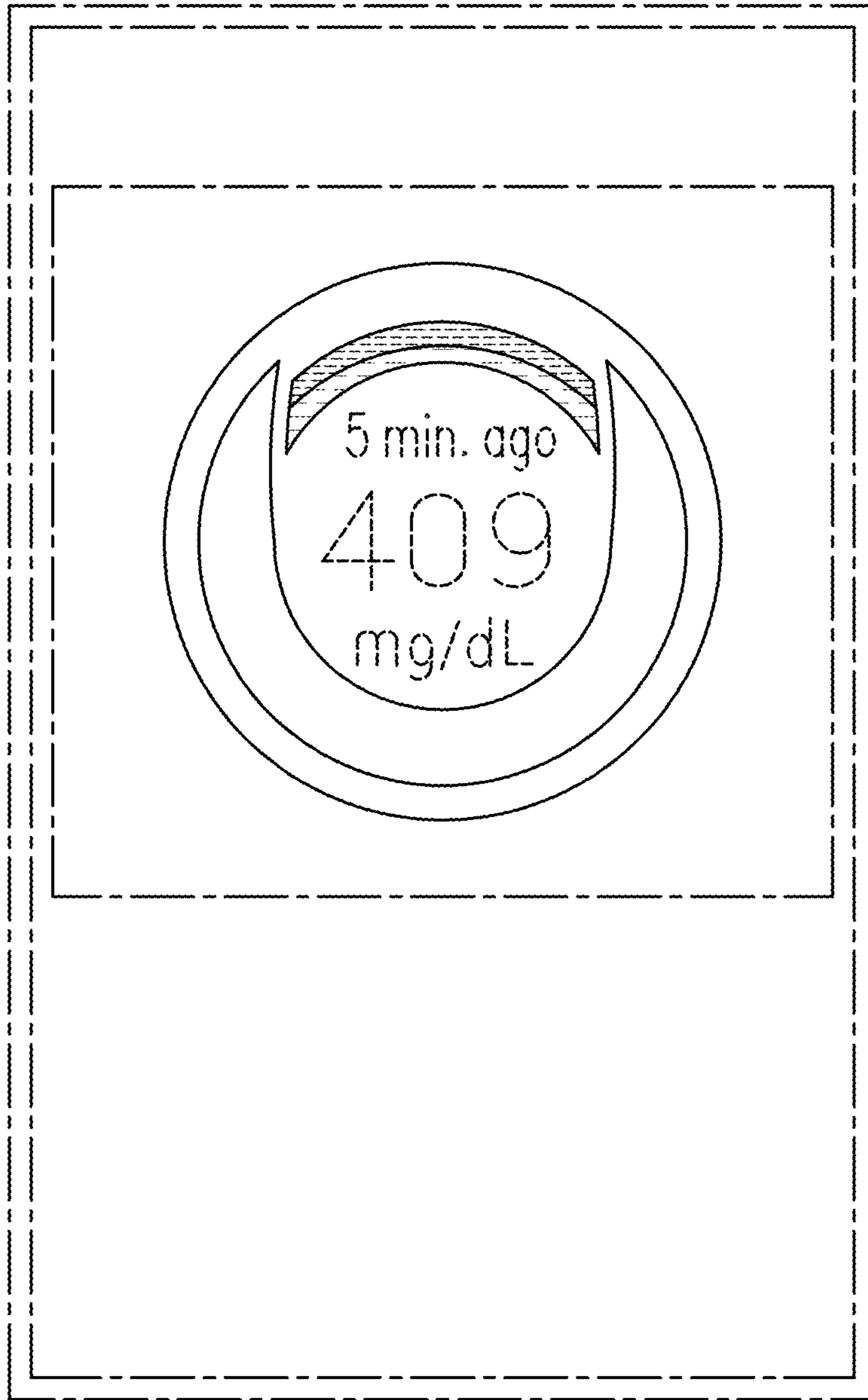


FIG. 8

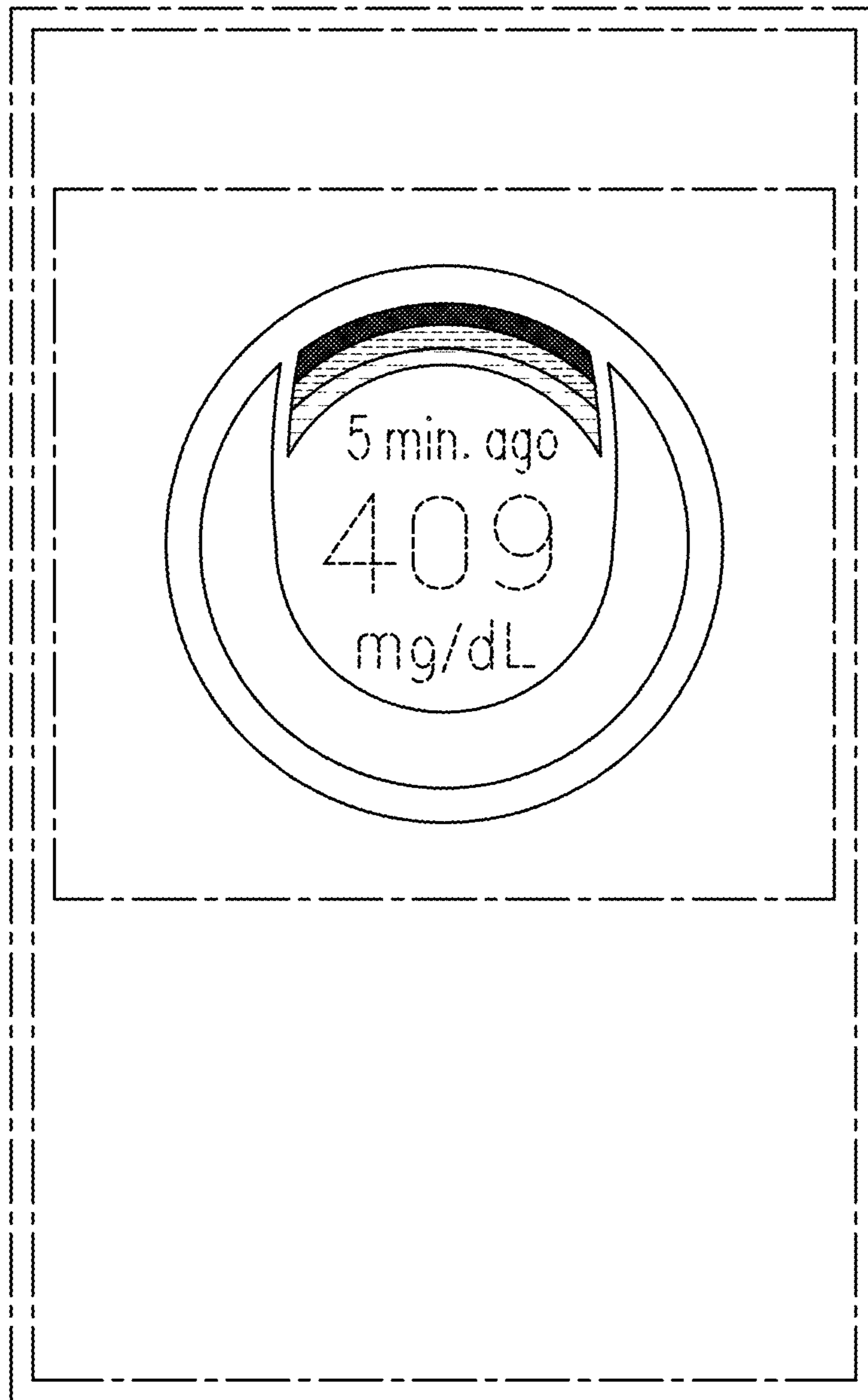


FIG. 9

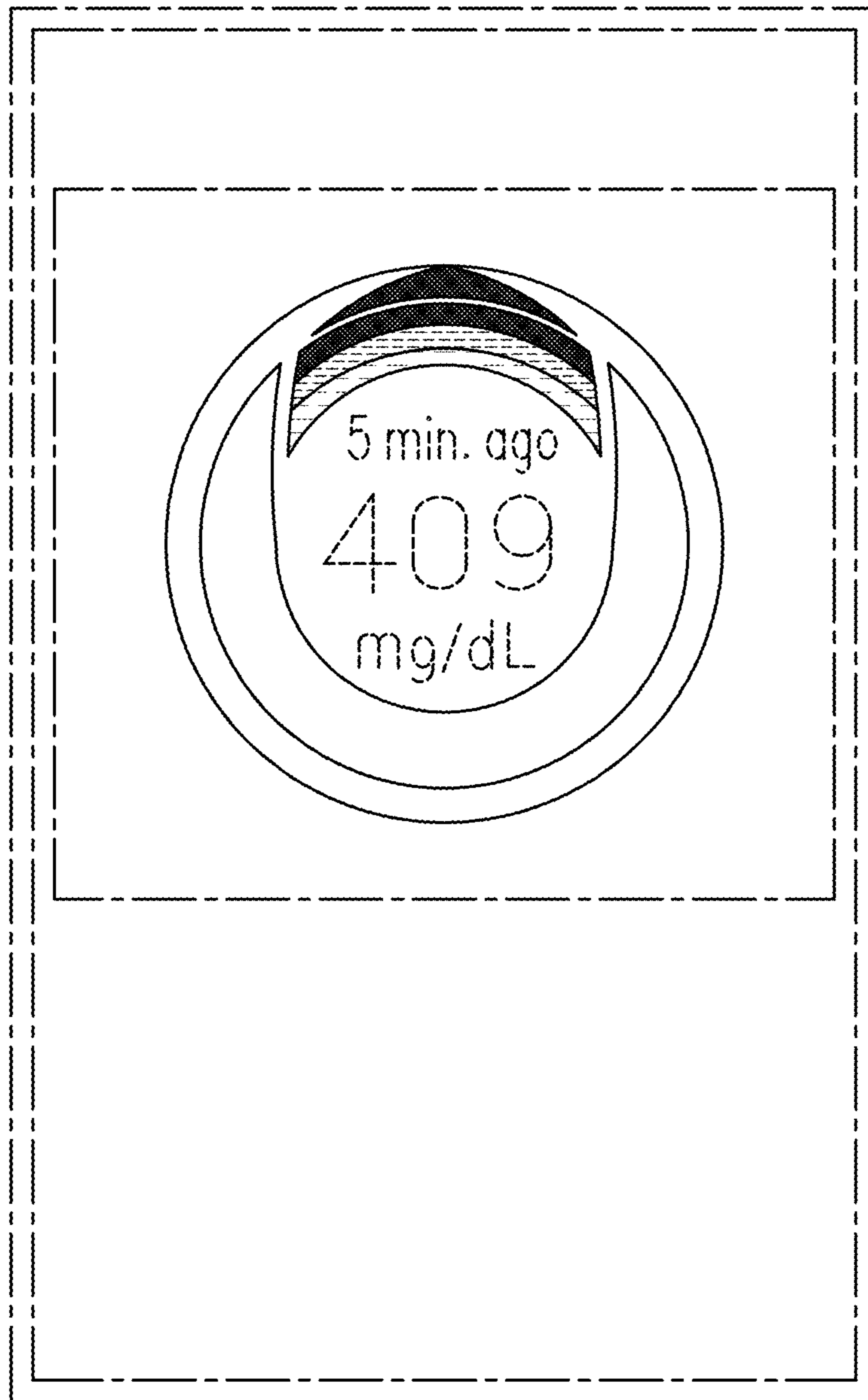


FIG. 10