



US00D954065S

(12) **United States Design Patent**
Kim et al.

(10) **Patent No.:** **US D954,065 S**
(45) **Date of Patent:** **** Jun. 7, 2022**

(54) **STAND FOR TELEVISION RECEIVER**
(71) Applicant: **LG ELECTRONICS INC.**, Seoul (KR)
(72) Inventors: **Younsoo Kim**, Seoul (KR);
Hyoungwon Kim, Seoul (KR);
Yooseok Kim, Seoul (KR)
(73) Assignee: **LG ELECTRONICS INC.**, Seoul (KR)

D705,200 S * 5/2014 Choi D14/239
D725,661 S * 3/2015 Snyder D14/451
D728,527 S * 5/2015 Kim D14/217
D746,825 S * 1/2016 Kang D14/451
D755,189 S * 5/2016 Kim D14/451
D758,376 S * 6/2016 Lu D14/451
D759,024 S * 6/2016 Woo D14/451
D794,620 S * 8/2017 Lee D14/239
D807,672 S * 1/2018 Babick D6/709
D848,991 S * 5/2019 Hwang D14/239
D864,928 S * 10/2019 Masui D14/239

(Continued)

(**) Term: **15 Years**

OTHER PUBLICATIONS

(21) Appl. No.: **35/510,471**

“LG GX OLED 55 inch TV Stand Mount” [online], LG. [Retrieved on Nov. 5, 2021]. Retrieved from the Internet: <<https://www.lg.com/us/tv-audio-video-accessories/lg-gx-oled-tv-stand-mount-angxdv55>>.*

(22) Filed: **Apr. 1, 2020**

(80) **Hague Agreement Data**

Int. Filing Date: **Apr. 1, 2020**
Int. Reg. No.: **DM/207786**
Int. Reg. Date: **Apr. 1, 2020**
Int. Reg. Pub. Date: **Oct. 2, 2020**

Primary Examiner — Mojtaba Tehrani
(74) *Attorney, Agent, or Firm* — Birch, Stewart, Kolasch & Birch, LLP

(30) **Foreign Application Priority Data**

Oct. 11, 2019 (KR) 30-2019-0048567

(51) **LOC (13) Cl.** **14-02**

(52) **U.S. Cl.**
USPC **D14/451; D14/239**

(58) **Field of Classification Search**
USPC D14/217, 239, 371, 376, 451, 447;
D6/365, 709
CPC A47B 97/00; A47B 85/00; F16M 11/38;
H05K 7/00; H05K 7/14
See application file for complete search history.

(57) **CLAIM**

The ornamental design for a stand for television receiver, as shown and described.

(56) **References Cited**

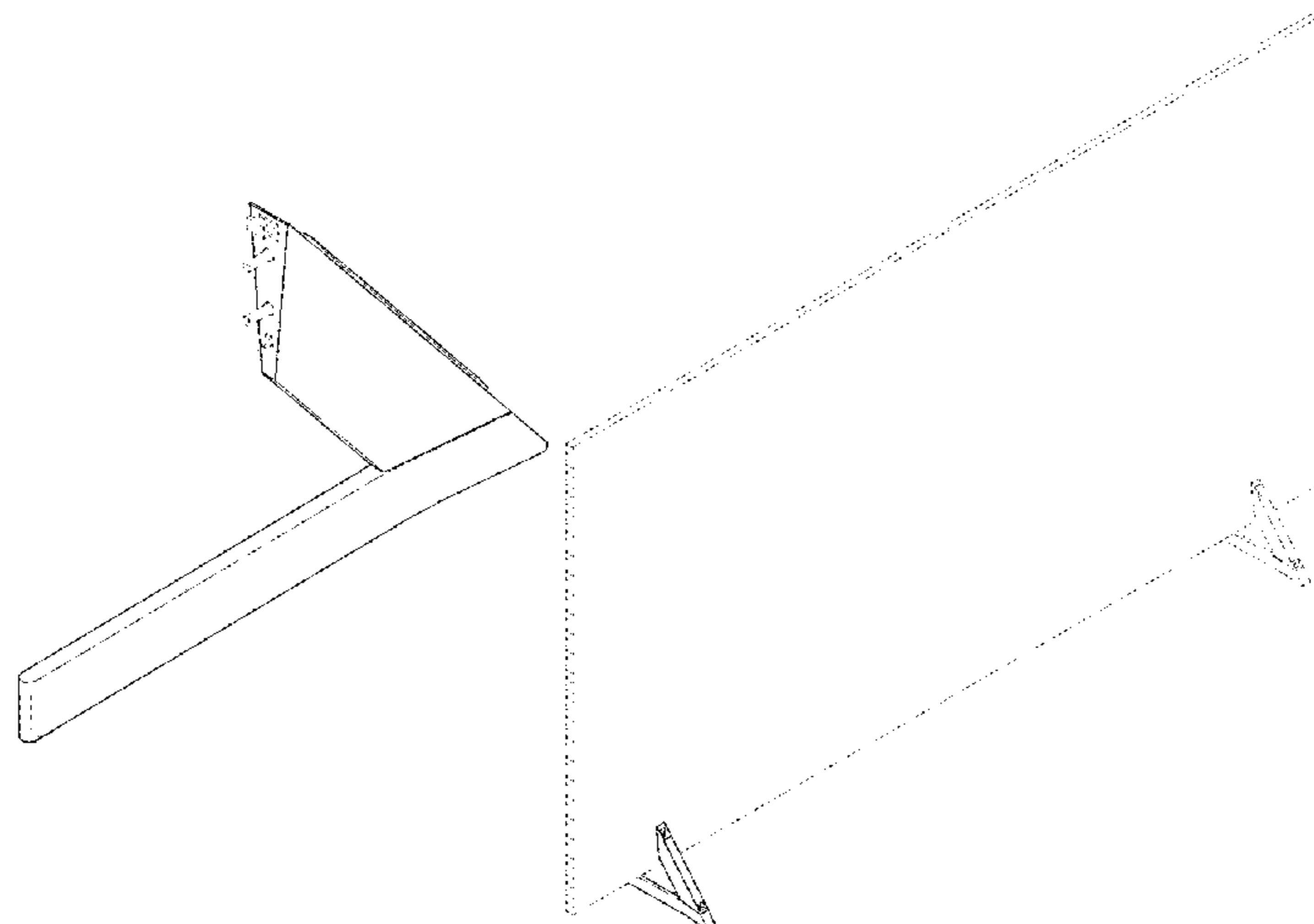
U.S. PATENT DOCUMENTS

4,171,883 A * 10/1979 Biancardi H04N 9/3141
348/776
D700,187 S * 2/2014 Lee D14/451

DESCRIPTION

1. Stand for television receiver
1.1 : Perspective
1.2 : Front
1.3 : Back
1.4 : Left
1.5 : Right
1.6 : Top
1.7 : Bottom
1.8 : Reference
1.9 : Reference
The reproductions **1.8** and **1.9** are reference views showing a state of use of the subject design with a television receiver; the broken line indicates portions of the article and a television receiver that form no part of the claimed design.

1 Claim, 9 Drawing Sheets



(56)

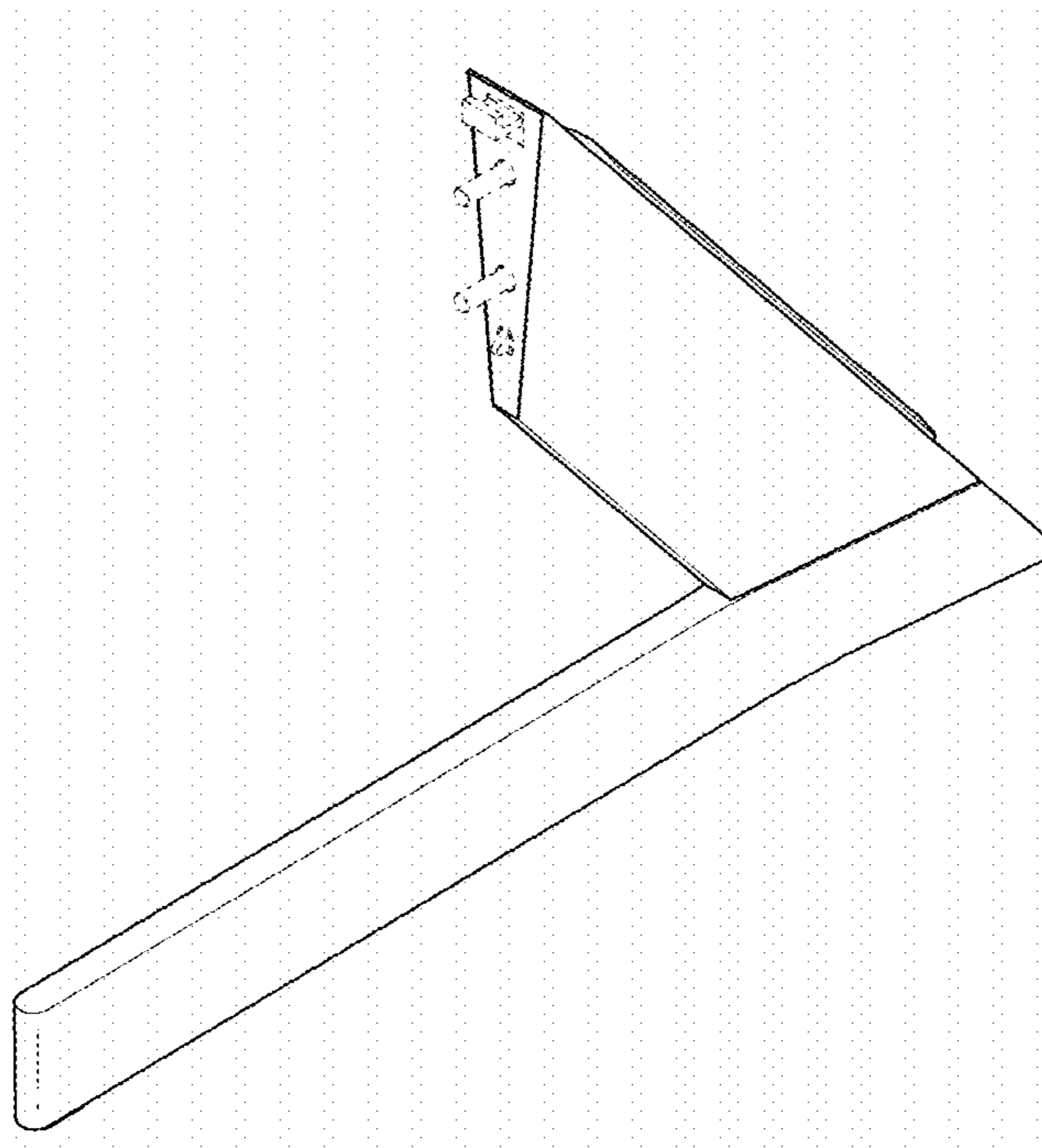
References Cited

U.S. PATENT DOCUMENTS

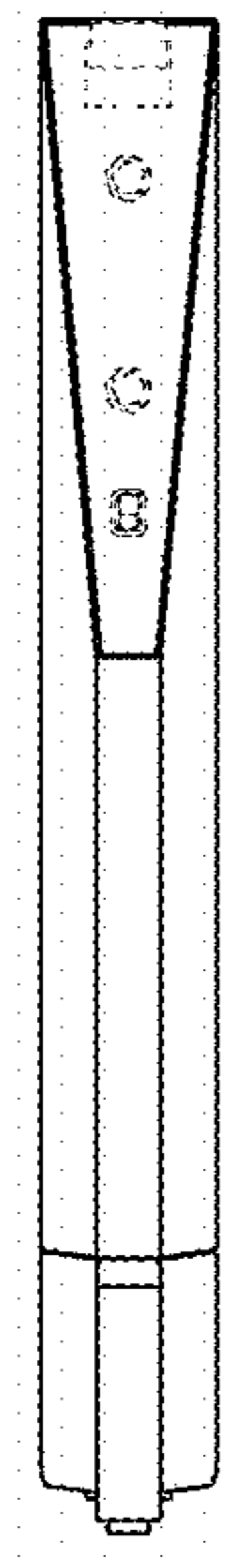
D897,324 S	*	9/2020	Lee	D14/239
D897,325 S	*	9/2020	Lee	D14/239
D914,661 S	*	3/2021	Kim	D14/239
D929,408 S	*	8/2021	Seo	D14/451
D929,409 S	*	8/2021	Seo	D14/451

* cited by examiner

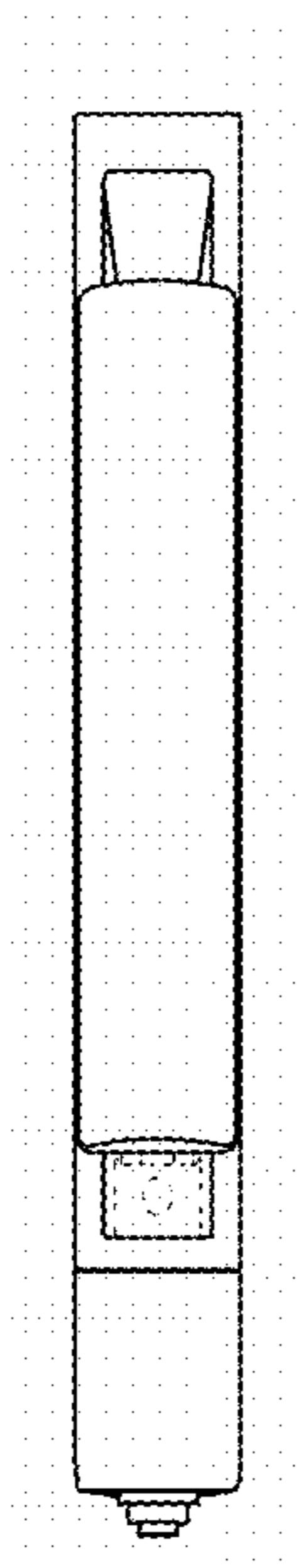
1.1



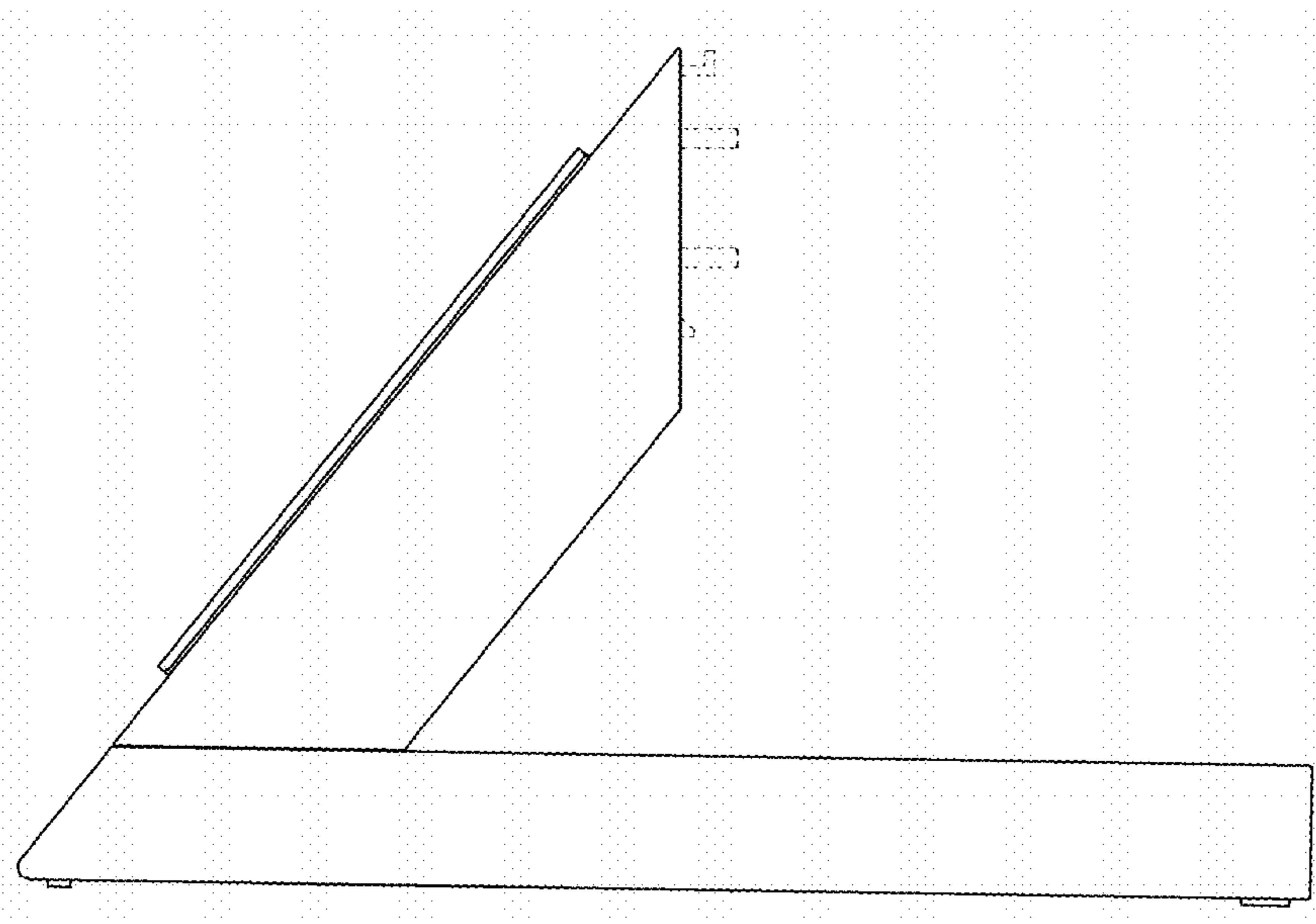
1.2



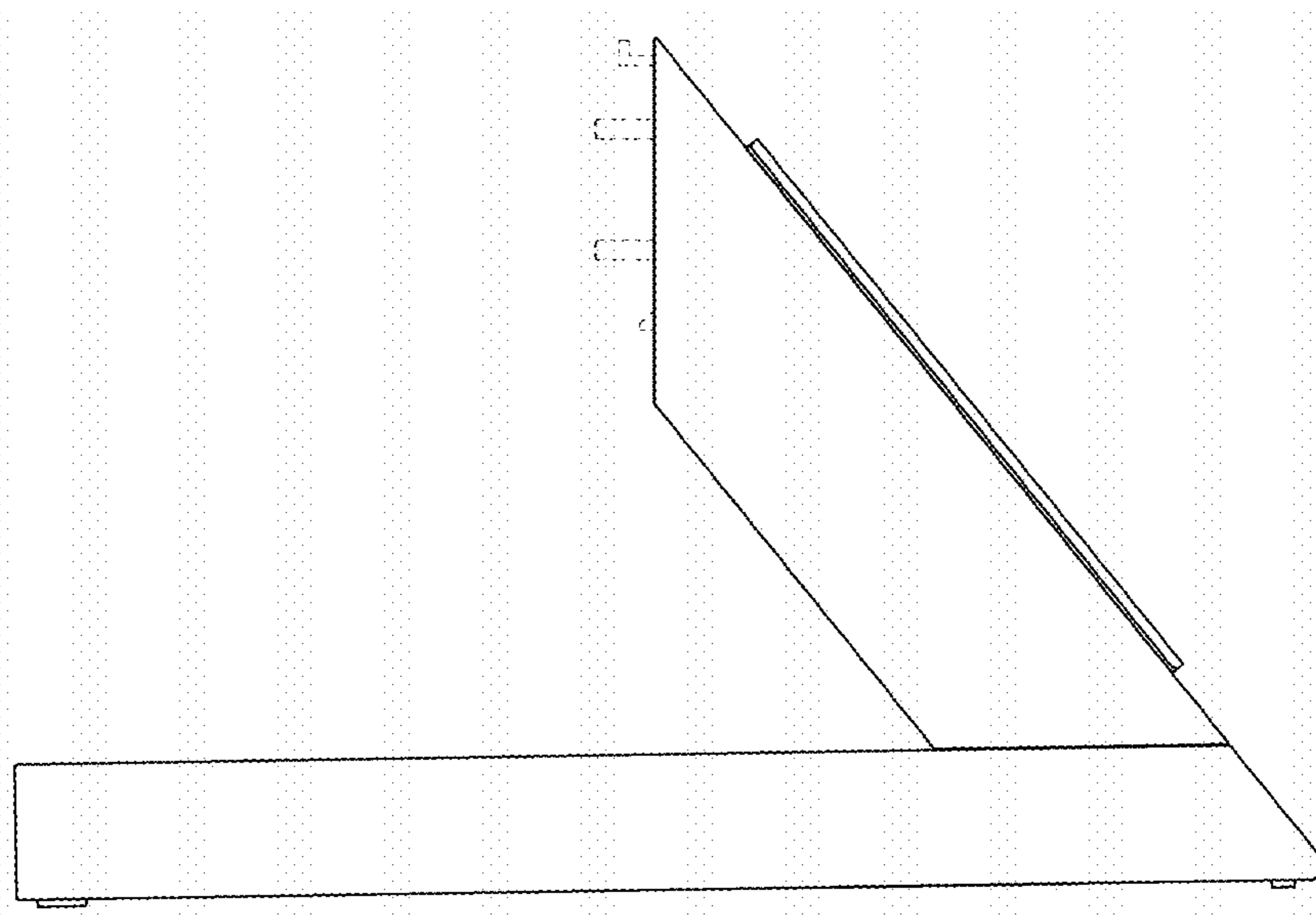
1.3



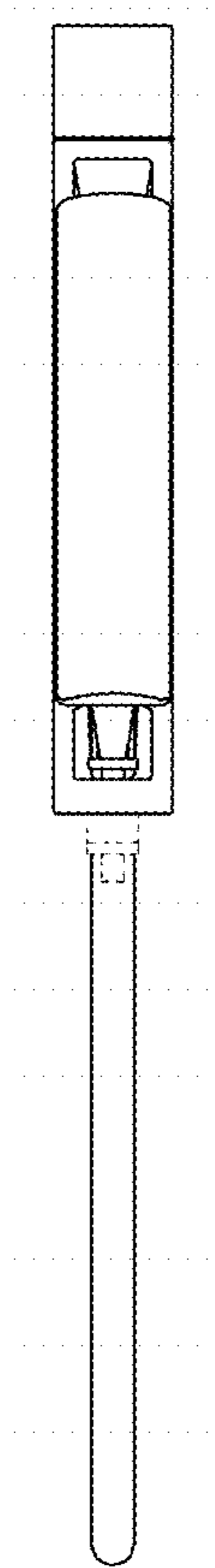
1.4



1.5



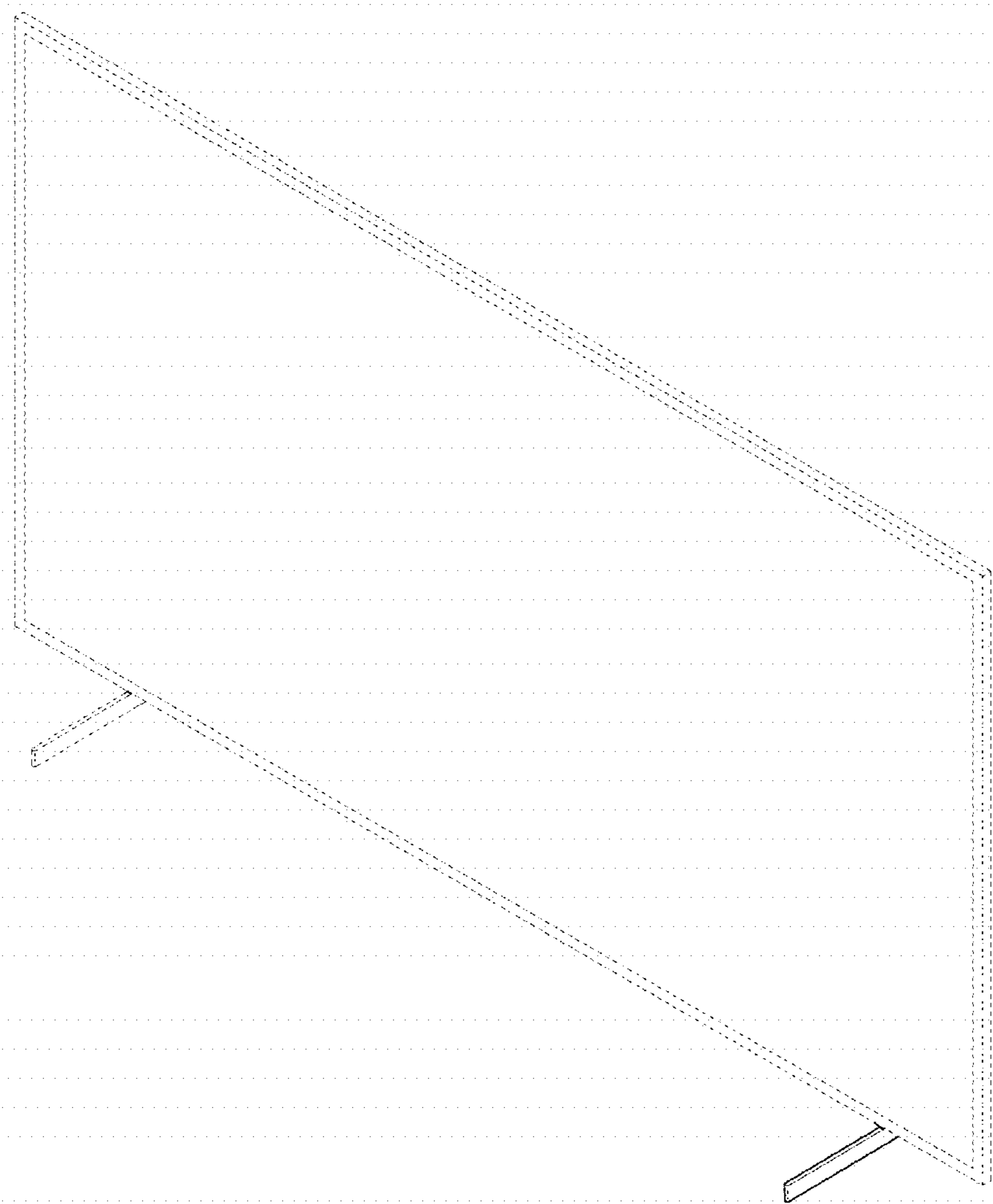
1.6



1.7



1.8



1.9

