



US00D954064S

(12) **United States Design Patent** (10) **Patent No.:** **US D954,064 S**  
**Li** (45) **Date of Patent:** **\*\* Jun. 7, 2022**

(54) **SCREEN PROTECTOR INSTALLATION FRAME**  
(71) Applicant: **Shenzhen Baisheng Industrial Co., Ltd, Shenzhen (CN)**  
(72) Inventor: **Ziqiang Li, Shenzhen (CN)**  
(\*\*) Term: **15 Years**  
(21) Appl. No.: **29/815,752**  
(22) Filed: **Nov. 16, 2021**  
(51) **LOC (13) Cl.** ..... **14-02**  
(52) **U.S. Cl.**  
USPC ..... **D14/440**  
(58) **Field of Classification Search**  
USPC ..... D14/440, 447, 432; 206/45.23, 320, 206/45.2; 361/679.55; 294/25; 224/218  
CPC ... G06F 1/1628; G06F 1/1626; A47B 23/044; H04B 1/3888; H05K 5/0217  
See application file for complete search history.

(56) **References Cited**

U.S. PATENT DOCUMENTS

8,044,942 B1 \* 10/2011 Leonhard ..... G06F 1/1637 345/173  
8,517,367 B1 \* 8/2013 Napier ..... B32B 37/0046 269/289 R  
D781,861 S \* 3/2017 Lane ..... D14/432  
D783,024 S \* 4/2017 Conley ..... D14/432  
D800,126 S \* 10/2017 Wadsworth ..... D14/432  
D800,127 S \* 10/2017 Beaupre ..... D14/432  
D800,128 S \* 10/2017 Beaupre ..... D14/432  
D800,129 S \* 10/2017 Wadsworth ..... D14/432  
D800,130 S \* 10/2017 Beaupre ..... D14/432  
D800,131 S \* 10/2017 Wadsworth ..... D14/432  
D802,594 S \* 11/2017 Beaupre ..... D14/432  
D811,404 S \* 2/2018 Wadsworth ..... D14/432  
D811,405 S \* 2/2018 Wadsworth ..... D14/432  
D811,407 S \* 2/2018 Wadsworth ..... D14/432

D811,408 S \* 2/2018 Wadsworth ..... D14/432  
D812,062 S \* 3/2018 MacDonald ..... D14/432  
D812,063 S \* 3/2018 Lane ..... D14/432  
D836,115 S \* 12/2018 Beaupre ..... D14/432  
10,155,370 B2 \* 12/2018 Wadsworth ..... B32B 38/1833  
D844,011 S \* 3/2019 Lin ..... D14/440  
D904,840 S 12/2020 Liu  
D937,834 S \* 12/2021 Hyun ..... D14/432  
2004/0109096 A1 \* 6/2004 Anderson ..... C09J 7/38 348/832  
2010/0270189 A1 \* 10/2010 Pedersen, II ..... G06F 1/1626 206/320  
2015/0041069 A1 \* 2/2015 Wadsworth ..... B29C 63/024 156/535  
2015/0107767 A1 \* 4/2015 Wadsworth ..... B29C 66/861 156/324  
2015/0362736 A1 \* 12/2015 Kowasic ..... G02B 27/027 359/478

(Continued)

*Primary Examiner* — Cynthia R Underwood  
(74) *Attorney, Agent, or Firm* — Che-Yang Chen; Law Office of Michael Chen

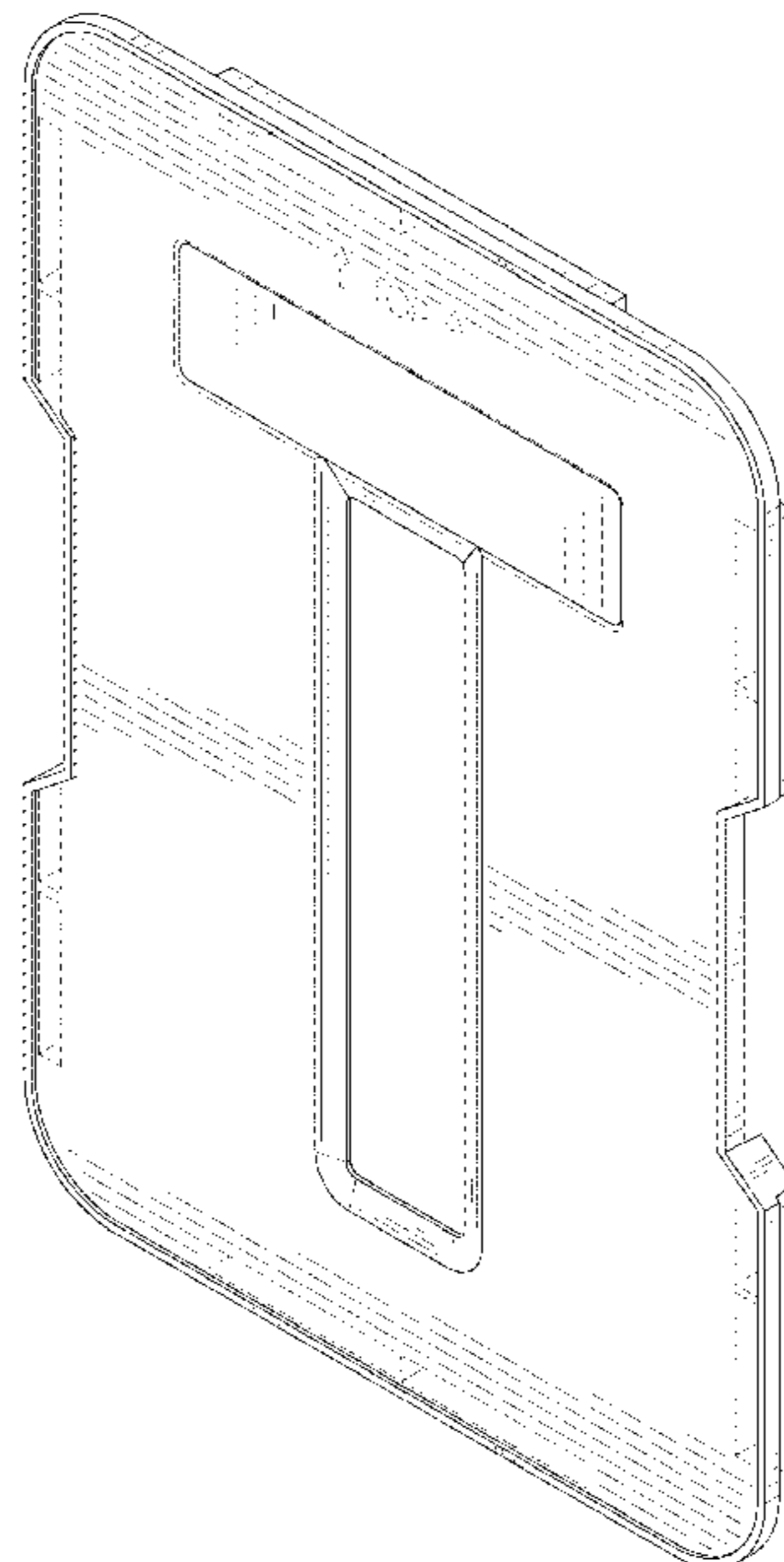
(57) **CLAIM**

The ornamental design for a screen protector installation frame, as shown and described.

**DESCRIPTION**

FIG. 1 is a perspective view of the screen protector installation frame showing my new design;  
FIG. 2 is a perspective view thereof from another angle;  
FIG. 3 is a front elevational view thereof;  
FIG. 4 is a rear elevational view thereof;  
FIG. 5 is a left side elevational view thereof;  
FIG. 6 is a right side elevational view thereof;  
FIG. 7 is a top plan view thereof; and,  
FIG. 8 is a bottom plan view thereof.  
The broken lines depict portions of the structure that form no part of the claim

**1 Claim, 8 Drawing Sheets**



(56)

**References Cited**

U.S. PATENT DOCUMENTS

2017/0001364 A1\* 1/2017 MacDonald ..... B32B 7/06  
2017/0297268 A1\* 10/2017 Witham ..... H04B 1/3888

\* cited by examiner

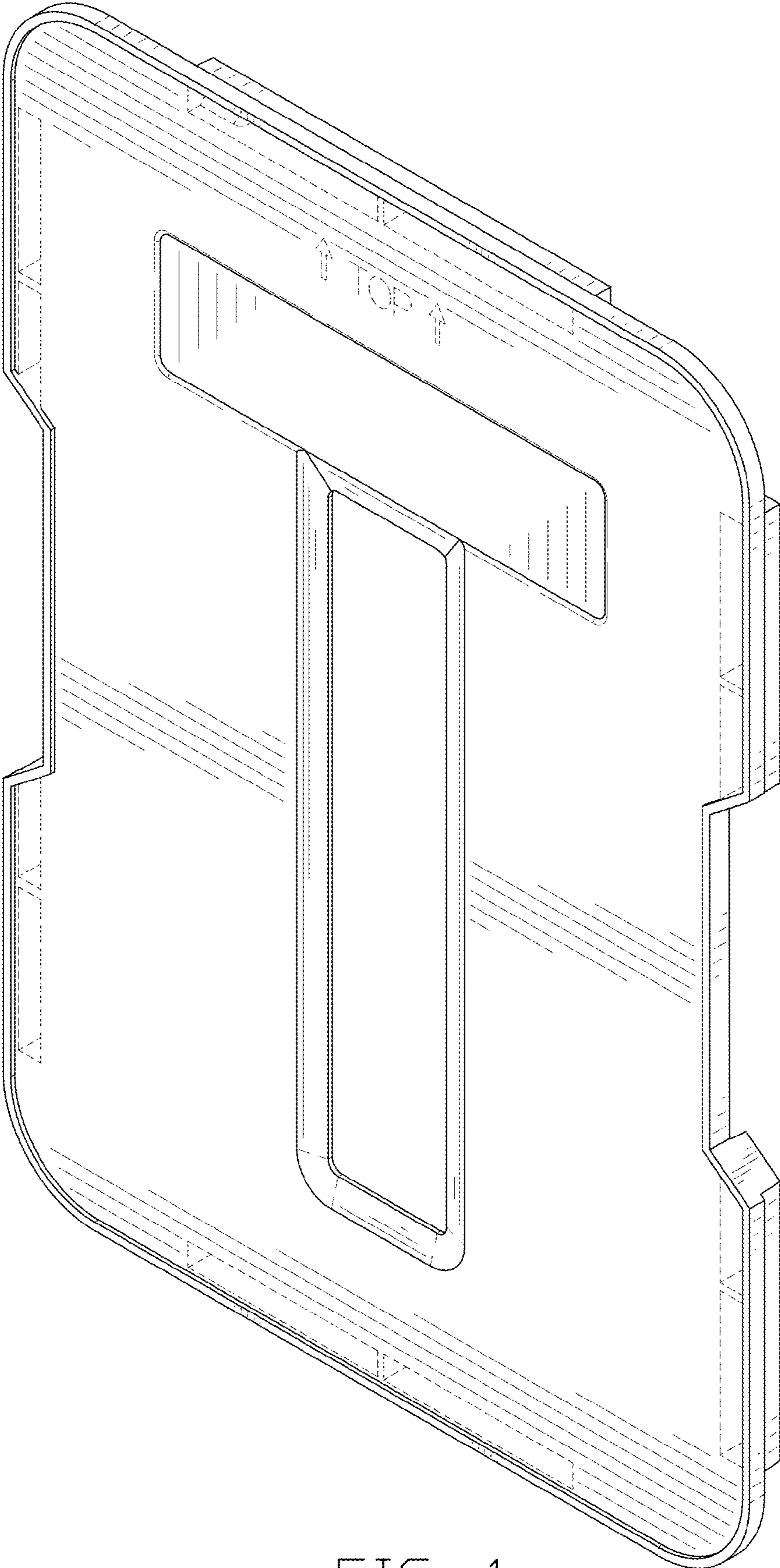


FIG. 1

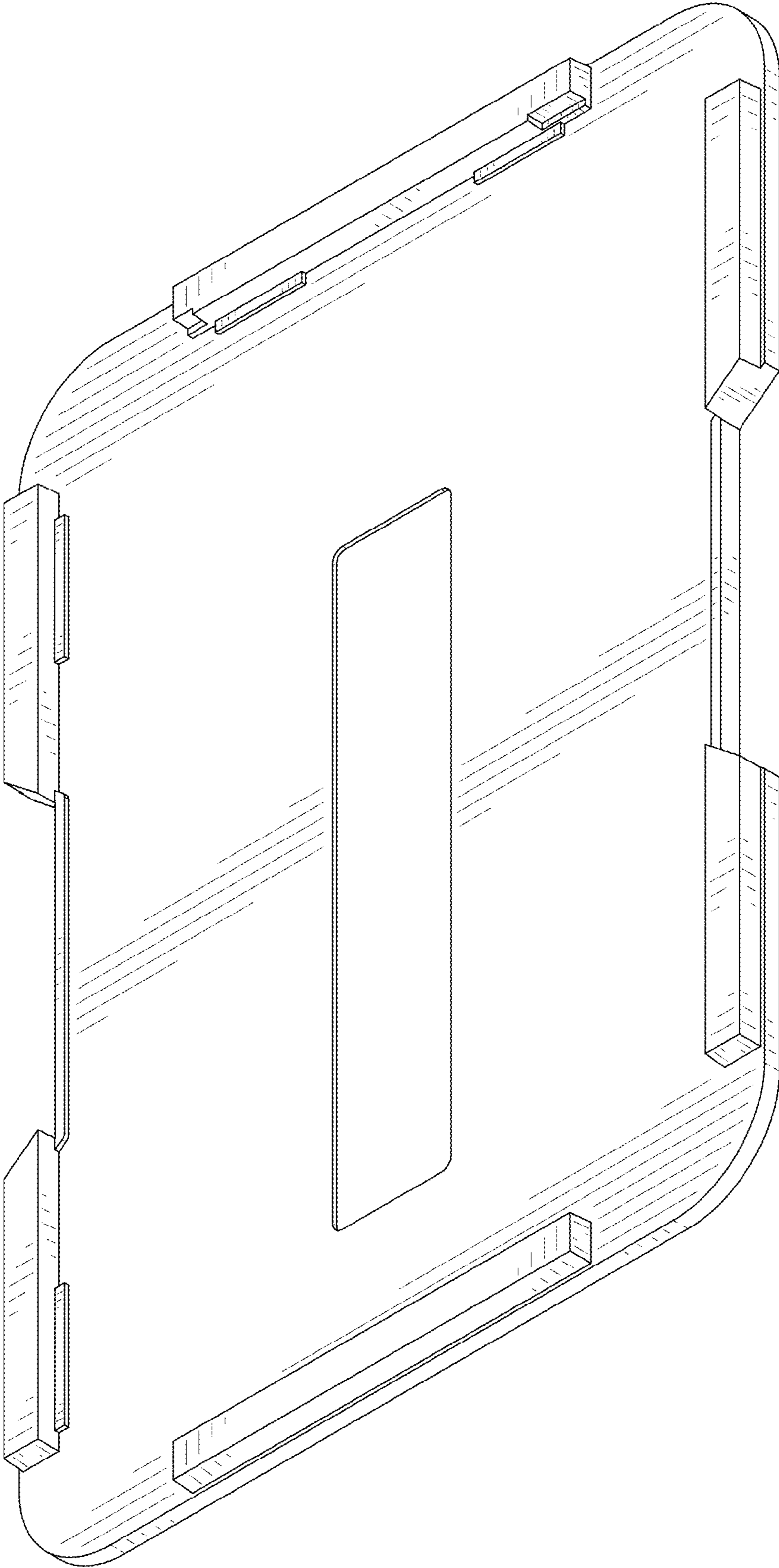


FIG. 2

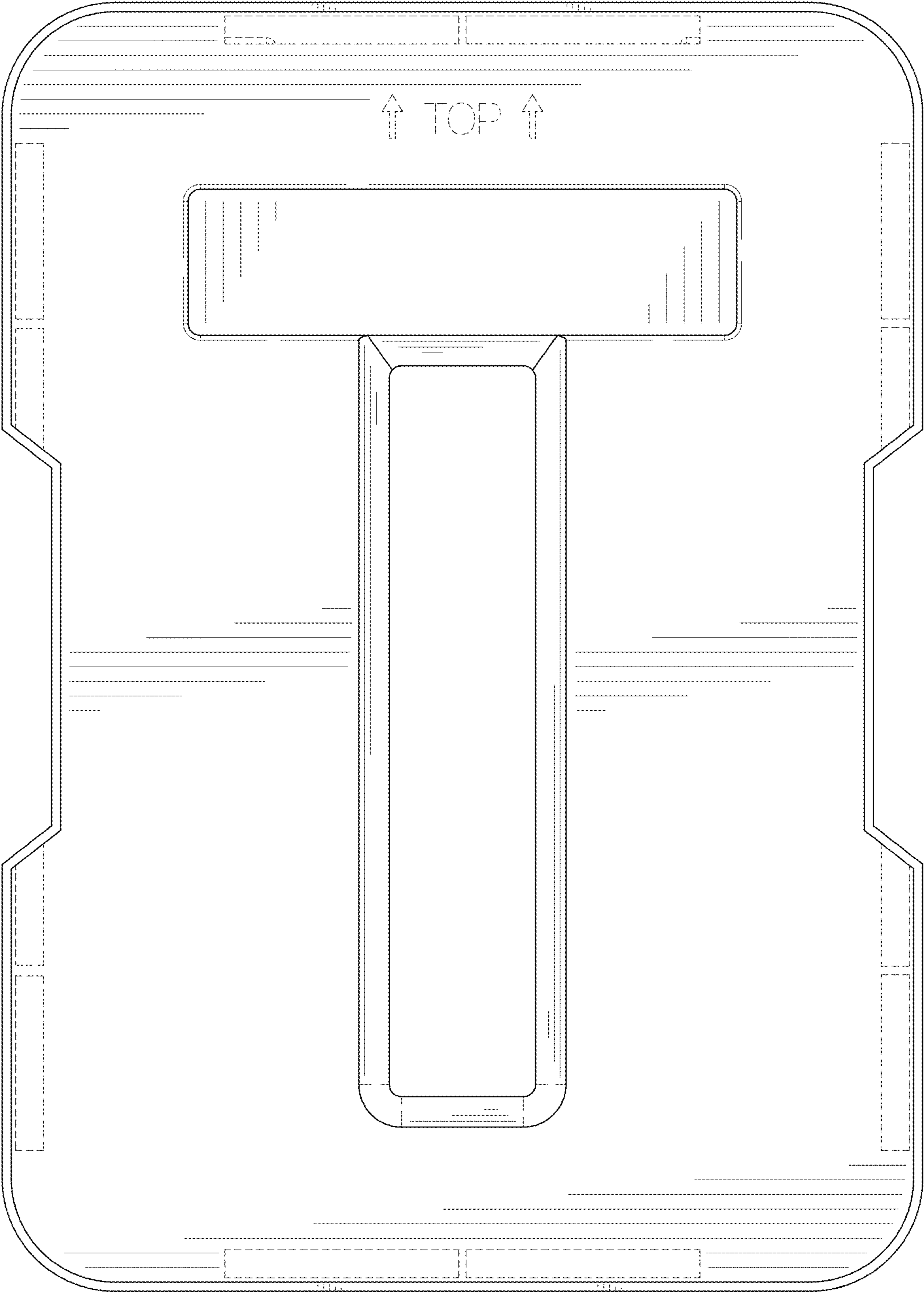


FIG. 3

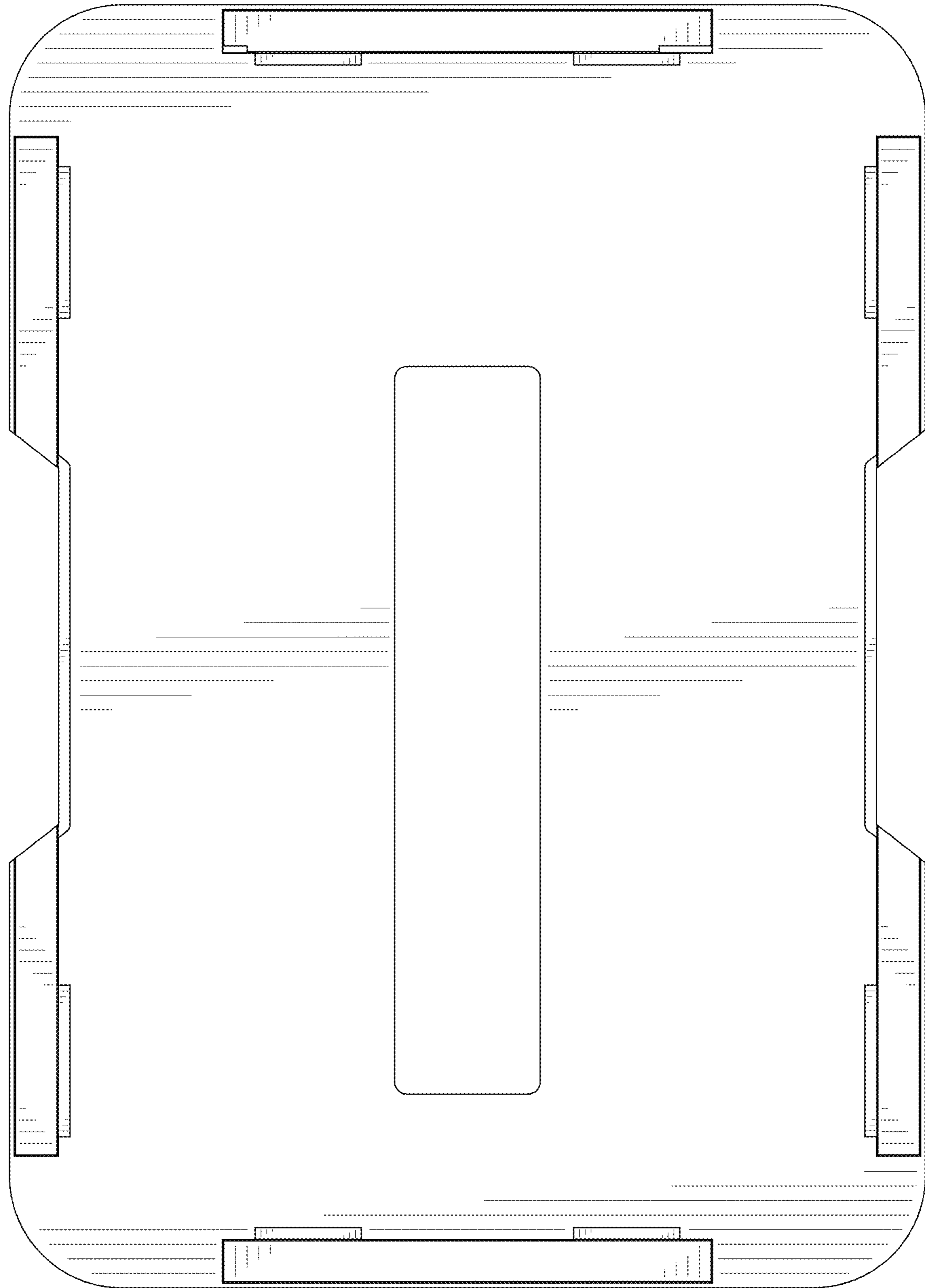


FIG. 4

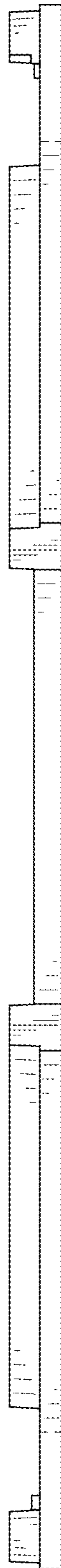


FIG. 5

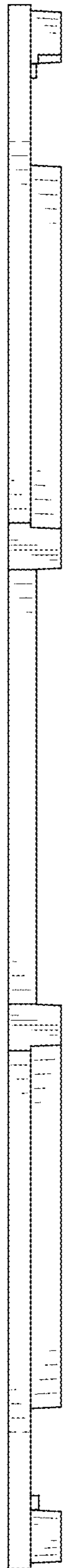


FIG. 6





FIG. 7

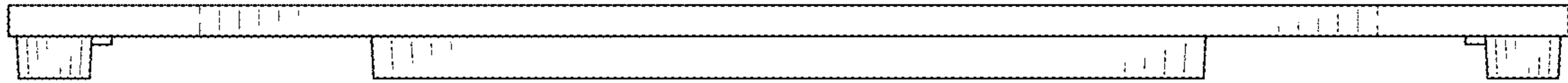


FIG. 8