

US00D954061S

(12) **United States Design Patent**  
**Chen**

(10) **Patent No.:** **US D954,061 S**

(45) **Date of Patent:** **\*\* Jun. 7, 2022**

(54) **DOUBLE-DATA-RATE SDRAM CARD**

(71) Applicant: **Sung-Yu Chen**, Hsinchu (TW)

(72) Inventor: **Sung-Yu Chen**, Hsinchu (TW)

(\*\*) Term: **15 Years**

(21) Appl. No.: **29/672,636**

(22) Filed: **Dec. 7, 2018**

(51) **LOC (13) Cl.** ..... **14-02**

(52) **U.S. Cl.**

USPC ..... **D14/435**; D14/436

(58) **Field of Classification Search**

USPC ..... D14/435, 356, 242, 436, 433, 474, 240,  
D14/496, 385, 358, 480.1-480.7;  
360/97.01, 685, 686, 752, 737, 732, 784,  
360/803; 439/135, 144, 139-141, 147,  
439/136, 638, 518, 131, 625; 365/51, 63,  
365/131, 149, 150, 191; 710/52, 300,  
710/313; 711/115, 103, 154, 161-162;  
70/58; 323/210; 713/186, 1; 382/124;  
235/492; D13/147, 179, 182; D19/72,  
D19/108, 101, 110, 111; D8/90-92, 94,  
D8/95, 97-107, 70, 70.1, 19, 20, 6, 7;  
D21/332; 361/679.31, 679.46;  
340/815.55, 686.1

CPC ..... G06K 19/06196; G06K 19/072; G06K  
19/0721-0728; G06K 19/073; G06K  
19/07309; G06K 19/077; G06K  
19/07701; G06K 19/07715; G06K  
19/0772; G06K 19/07724; G06K  
19/07726; G06K 19/07728; G06K  
7/0021; G06F 21/86-88; G06F 21/77-80;  
G06F 21/85-88; G06F 21/00; G06Q  
20/3229; G06Q 20/34; G06Q 20/341;  
G06Q 20/346; G06Q 20/349; G06Q  
20/3563; G06Q 20/3567; G06Q 20/357;  
G06Q 20/3576; H05K 5/026; H05K  
5/0256; H05K 5/0265; H05K 5/0269;  
H05K 5/0273; H05K 5/0278; H05K  
5/0282; H05K 5/0286; H05K 5/0291;

H05K 5/0295; H05K 5/03; H05K 5/04;  
H05K 5/06; H05K 5/061-069; H05K  
7/00; H05K 7/005; H05K 7/02; H05K  
7/023; H05K 7/026; H05K 7/04; H05K  
7/10; H05K 7/1418; H05K 7/142; H05K  
7/1405; H05K 7/1424; H05K  
7/1427-1439; H05K 7/1461; H05K  
7/1464-1474; H05K 7/1479; H05K  
(Continued)

(56) **References Cited**

U.S. PATENT DOCUMENTS

3,396,461 A \* 8/1968 Spooner ..... H05K 3/3405  
29/827

D261,644 S \* 11/1981 McKinsey ..... D14/435  
(Continued)

*Primary Examiner* — Susan Moon Lee

(74) *Attorney, Agent, or Firm* — Li & Cai Intellectual  
Property (USA) Office

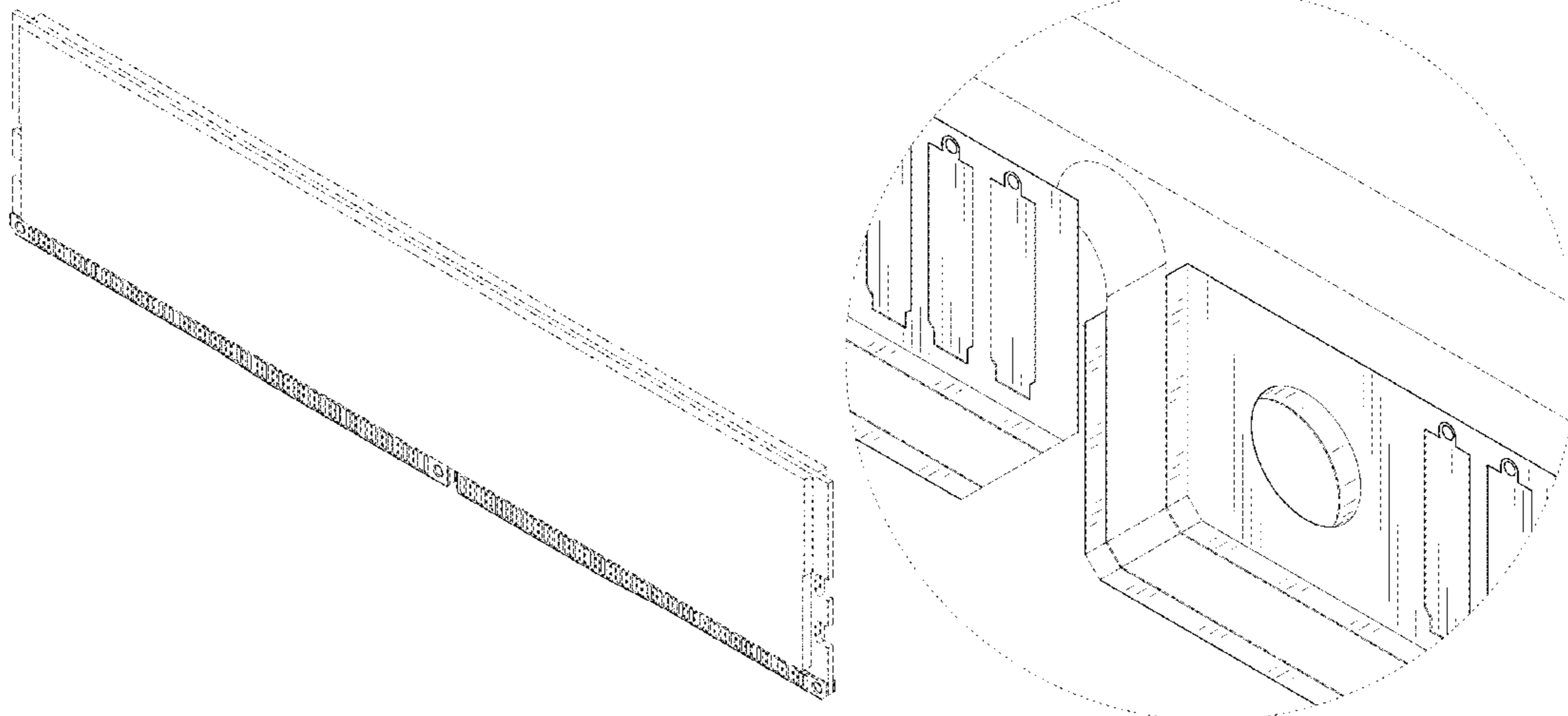
(57) **CLAIM**

The ornamental design for a double-data-rate SDRAM card,  
as shown and described.

**DESCRIPTION**

FIG. 1 is a front perspective view of a double-data-rate  
SDRAM card showing my new design;  
FIG. 2 is a front elevational view thereof;  
FIG. 3 is a rear elevational view thereof;  
FIG. 4 is a left side elevational view thereof;  
FIG. 5 is a right side elevational view thereof;  
FIG. 6 is a top plan view thereof;  
FIG. 7 is a bottom plan view thereof;  
FIG. 8 is a rear perspective view thereof; and  
FIG. 9 is an enlarged view of IX part in FIG. 8; and,  
FIG. 10 is an enlarged view of X part in FIG. 8.  
The broken lines depict portions of the double-data-rate  
SDRAM card in which the design is embodied that form no  
part of the claimed design.

**1 Claim, 8 Drawing Sheets**



(58) **Field of Classification Search**

CPC ..... 7/1481; H05K 7/1485-1488; H05K  
 2201/09745; H05K 2201/09763; H05K  
 2201/10106; H05K 2201/10159; H05K  
 2201/09063; H05K 2201/0108; H05K  
 2201/09145; H05K 2201/09772; H05K  
 2201/098; H05K 2201/09818; H05K  
 2201/10; H05K 2201/10007; H05K  
 1/181; H05K 1/0274; H05K 1/117; H05K  
 1/09; H05K 3/06; H04N 2201/216; H01R  
 13/62933; H01R 13/62905; H01R  
 13/6275; H01R 13/6395; H01R 13/62938;  
 H01R 13/64; H01R 13/645; H01R  
 13/6456; H01R 13/635; H01R 13/633;  
 H01R 23/7005; H01R 23/682; H01R  
 23/684; H01R 23/70; H01R 23/7068;  
 H01R 23/7026; H01R 31/065; H01R  
 27/02; H01R 2103/00; Y02P 70/611

See application file for complete search history.

(56) **References Cited**

U.S. PATENT DOCUMENTS

6,049,975 A \* 4/2000 Clayton ..... H01L 23/13  
 257/668  
 D432,096 S \* 10/2000 Jeon ..... D13/182  
 6,304,456 B1 \* 10/2001 Wortman ..... G06F 1/181  
 361/730  
 6,347,039 B1 \* 2/2002 Lee ..... H05K 7/1431  
 361/760  
 D520,015 S \* 5/2006 Peddle ..... D14/435  
 7,221,569 B2 \* 5/2007 Tsai ..... H01L 23/4093  
 257/719  
 7,269,765 B1 \* 9/2007 Charlton ..... G11C 5/04  
 365/201  
 7,312,996 B2 \* 12/2007 Chang ..... H01L 23/3672  
 165/185  
 7,391,613 B2 \* 6/2008 Lai ..... H01L 23/3672  
 165/104.26  
 7,447,024 B1 \* 11/2008 Chou ..... H01L 23/467  
 165/122  
 7,547,213 B2 \* 6/2009 Pax ..... H05K 1/117  
 174/250  
 D597,966 S \* 8/2009 Shih ..... D13/179  
 7,602,613 B2 \* 10/2009 Goodwin ..... G11C 5/04  
 174/254  
 7,661,974 B1 \* 2/2010 Sun ..... H05K 7/1431  
 439/328  
 D617,162 S \* 6/2010 Tom ..... D8/20  
 7,738,252 B2 \* 6/2010 Schuette ..... G06F 1/206  
 361/704  
 7,768,785 B2 \* 8/2010 Ni ..... H01L 23/42  
 361/715  
 7,922,506 B1 \* 4/2011 Harlan ..... H01R 12/7005  
 439/160  
 8,023,304 B2 \* 9/2011 Choi ..... G11C 5/063  
 365/64  
 8,075,330 B1 \* 12/2011 Deng ..... H01R 12/7005  
 439/328  
 8,087,950 B1 \* 1/2012 Deng ..... H01R 12/737  
 439/328  
 8,092,257 B2 \* 1/2012 Hubert ..... H05K 5/0282  
 439/638  
 8,140,942 B2 \* 3/2012 Dell ..... G11C 5/04  
 714/769  
 D663,293 S \* 7/2012 MacManus ..... D14/240  
 8,337,230 B1 \* 12/2012 Kurachi ..... H01R 12/79  
 439/328  
 D673,921 S \* 1/2013 Ozawa ..... D13/182  
 8,399,301 B2 \* 3/2013 Park ..... H05K 1/0246  
 438/122  
 8,411,443 B2 \* 4/2013 Chen ..... G06F 1/20  
 361/719

D689,829 S \* 9/2013 Chen ..... D13/179  
 8,550,836 B2 \* 10/2013 Ma ..... G06F 1/185  
 439/328  
 8,576,569 B2 \* 11/2013 Malek ..... H05K 9/0032  
 361/730  
 D698,792 S \* 2/2014 Lin ..... D14/435  
 D702,689 S \* 4/2014 Lin ..... D14/435  
 D702,690 S \* 4/2014 Lin ..... D14/435  
 8,753,138 B2 \* 6/2014 Foster, Sr. .... H01R 12/7088  
 439/326  
 D717,251 S \* 11/2014 Mueller ..... D13/179  
 D717,744 S \* 11/2014 Mueller ..... D13/179  
 8,951,048 B2 \* 2/2015 Seok ..... H05K 1/117  
 439/59  
 8,968,019 B2 \* 3/2015 Hack ..... H05K 7/1408  
 439/326  
 D733,145 S \* 6/2015 Chen ..... D14/435  
 D735,201 S \* 7/2015 Lin ..... D14/435  
 D761,744 S \* 7/2016 Mueller ..... D13/179  
 D793,400 S \* 8/2017 Lin ..... D14/435  
 10,098,230 B2 \* 10/2018 Hung ..... H05K 1/181  
 D842,304 S \* 3/2019 Depay ..... D14/435  
 10,285,273 B1 \* 5/2019 Hung ..... H05K 1/0274  
 D863,311 S \* 10/2019 Depay ..... D14/435  
 10,433,430 B2 \* 10/2019 Chen ..... H01L 24/26  
 D868,069 S \* 11/2019 Hung ..... D14/435  
 10,492,298 B1 \* 11/2019 Chen ..... H01R 12/737  
 10,506,721 B2 \* 12/2019 Chen ..... G11C 11/407  
 10,522,926 B2 \* 12/2019 Chen ..... H01R 13/6456  
 D897,345 S \* 9/2020 Chen ..... D14/435  
 2001/0001085 A1 \* 5/2001 Hassanzadeh .... H01R 12/7005  
 439/633  
 2001/0024389 A1 \* 9/2001 Funaba ..... G11C 5/063  
 365/200  
 2002/0022405 A1 \* 2/2002 Jung ..... G11C 5/04  
 439/625  
 2003/0026076 A1 \* 2/2003 Wei ..... H01L 23/4093  
 361/704  
 2006/0049512 A1 \* 3/2006 Goodwin ..... H01L 25/0652  
 257/707  
 2006/0067054 A1 \* 3/2006 Wang ..... H01L 23/42  
 361/704  
 2006/0090102 A1 \* 4/2006 Wehrly ..... H05K 1/189  
 714/42  
 2007/0053170 A1 \* 3/2007 Yu ..... H05K 7/1409  
 361/737  
 2007/0070607 A1 \* 3/2007 Goodwin ..... H01L 23/367  
 361/719  
 2007/0128891 A1 \* 6/2007 Ling ..... H05K 1/117  
 439/55  
 2007/0159789 A1 \* 7/2007 Schuette ..... G06F 1/206  
 361/679.31  
 2007/0212920 A1 \* 9/2007 Clayton ..... H01R 12/721  
 439/326  
 2007/0238323 A1 \* 10/2007 Mathews ..... H01R 13/6275  
 439/65  
 2008/0013290 A1 \* 1/2008 Creasy ..... H05K 7/1418  
 361/737  
 2008/0157389 A1 \* 7/2008 Park ..... H05K 3/3452  
 257/773  
 2008/0176432 A1 \* 7/2008 Scherer ..... H01R 12/7005  
 439/159  
 2008/0179731 A1 \* 7/2008 Fan ..... H05K 1/0271  
 257/690  
 2008/0186685 A1 \* 8/2008 Cho ..... H05K 1/0207  
 361/737  
 2008/0220642 A1 \* 9/2008 Guan ..... H01R 12/721  
 439/325  
 2008/0261433 A1 \* 10/2008 Pipho ..... H05K 3/366  
 439/326  
 2009/0017666 A1 \* 1/2009 Lim ..... H01R 12/7005  
 439/328  
 2009/0023308 A1 \* 1/2009 Guan ..... H01R 12/7005  
 439/62  
 2009/0026599 A1 \* 1/2009 Fan ..... H05K 1/0271  
 257/685



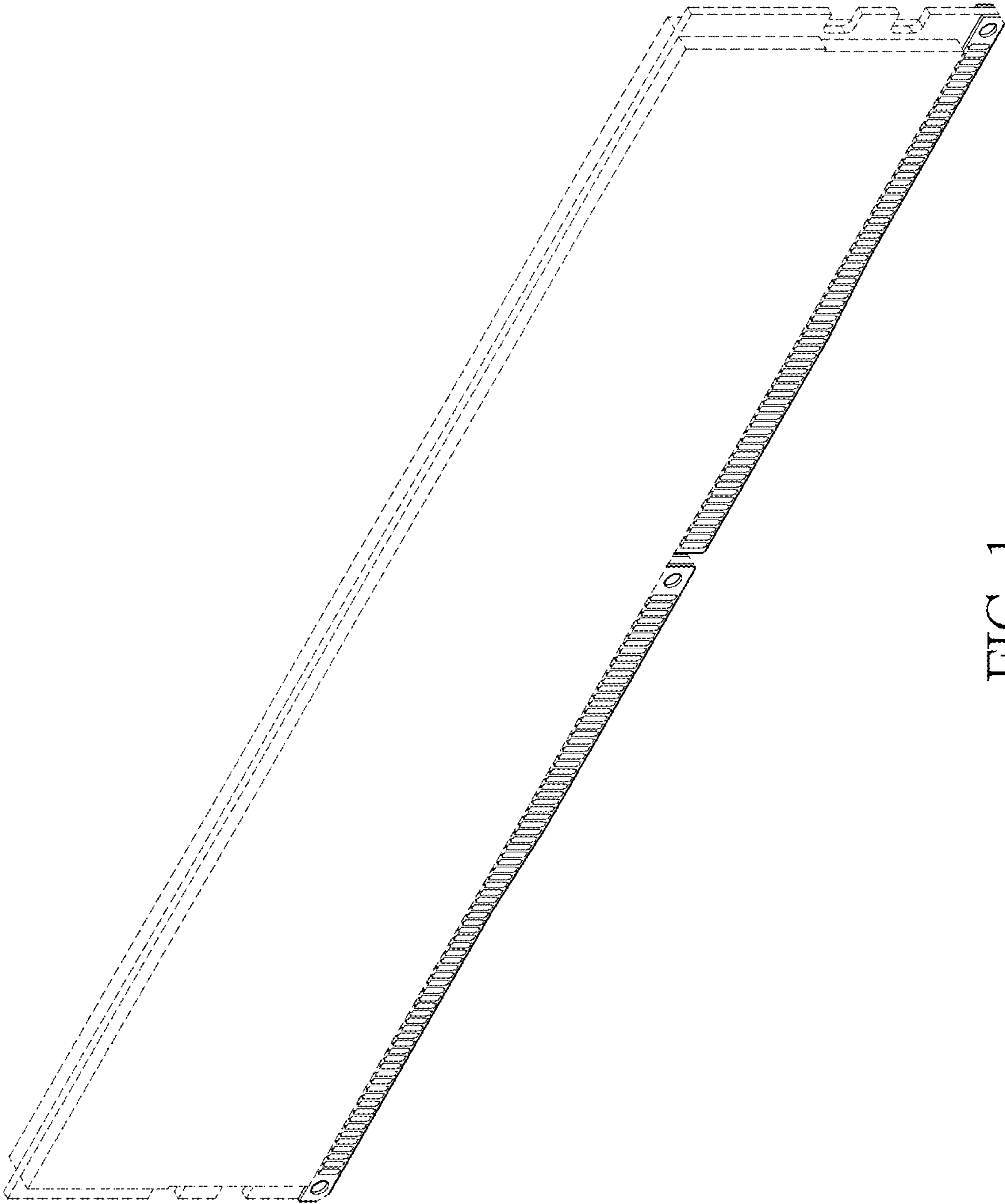


FIG. 1

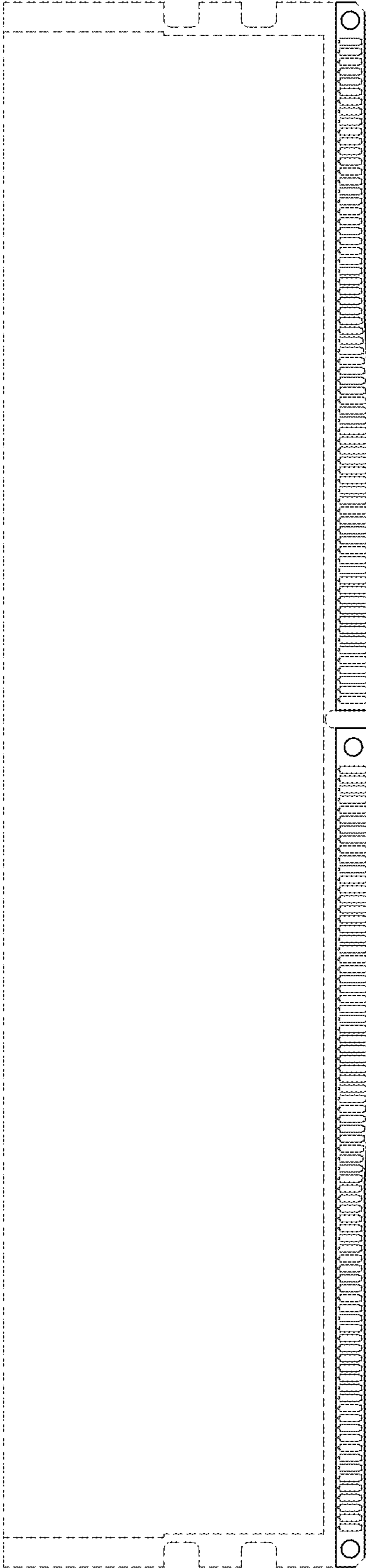


FIG. 2

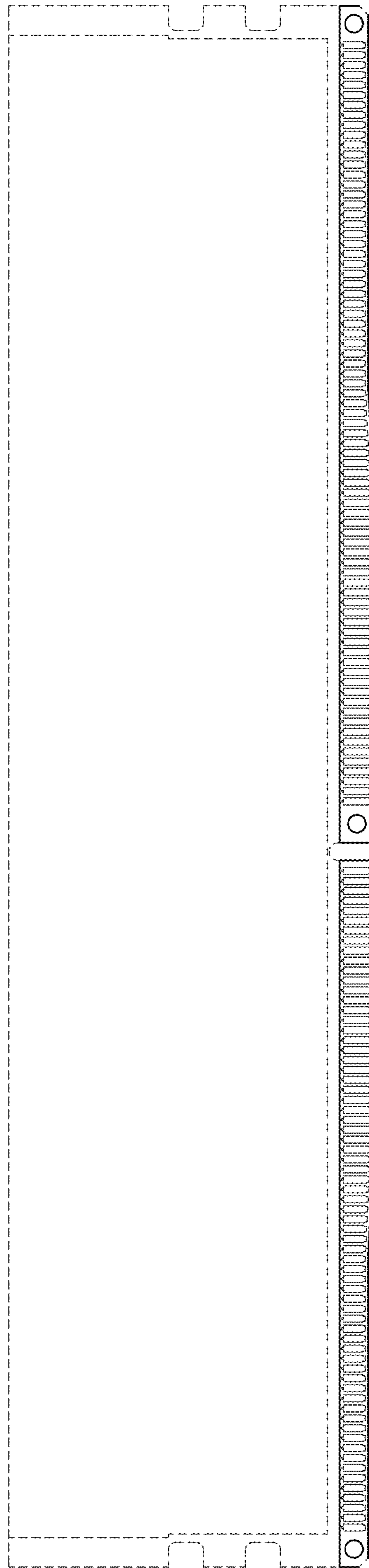


FIG. 3

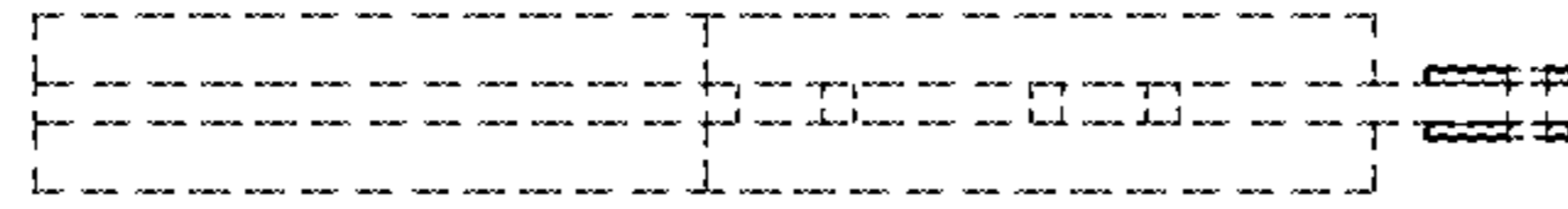


FIG. 5

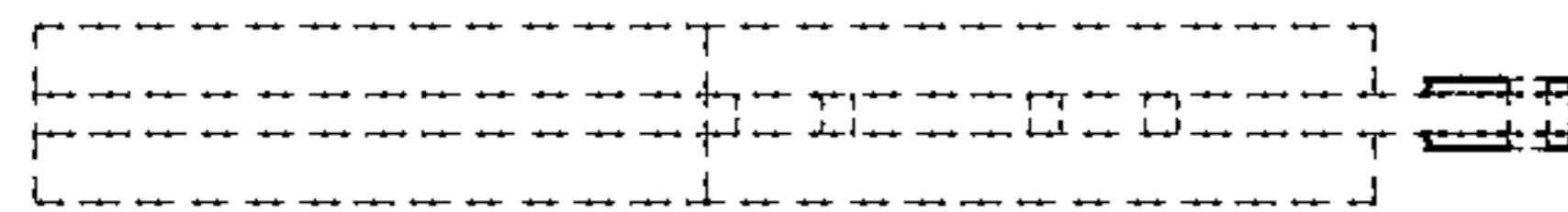


FIG. 4

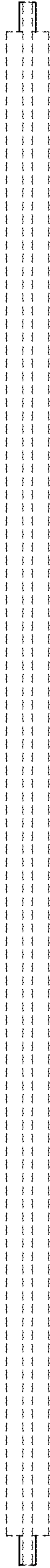


FIG. 6

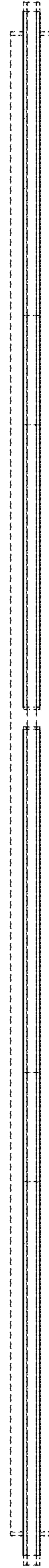


FIG. 7



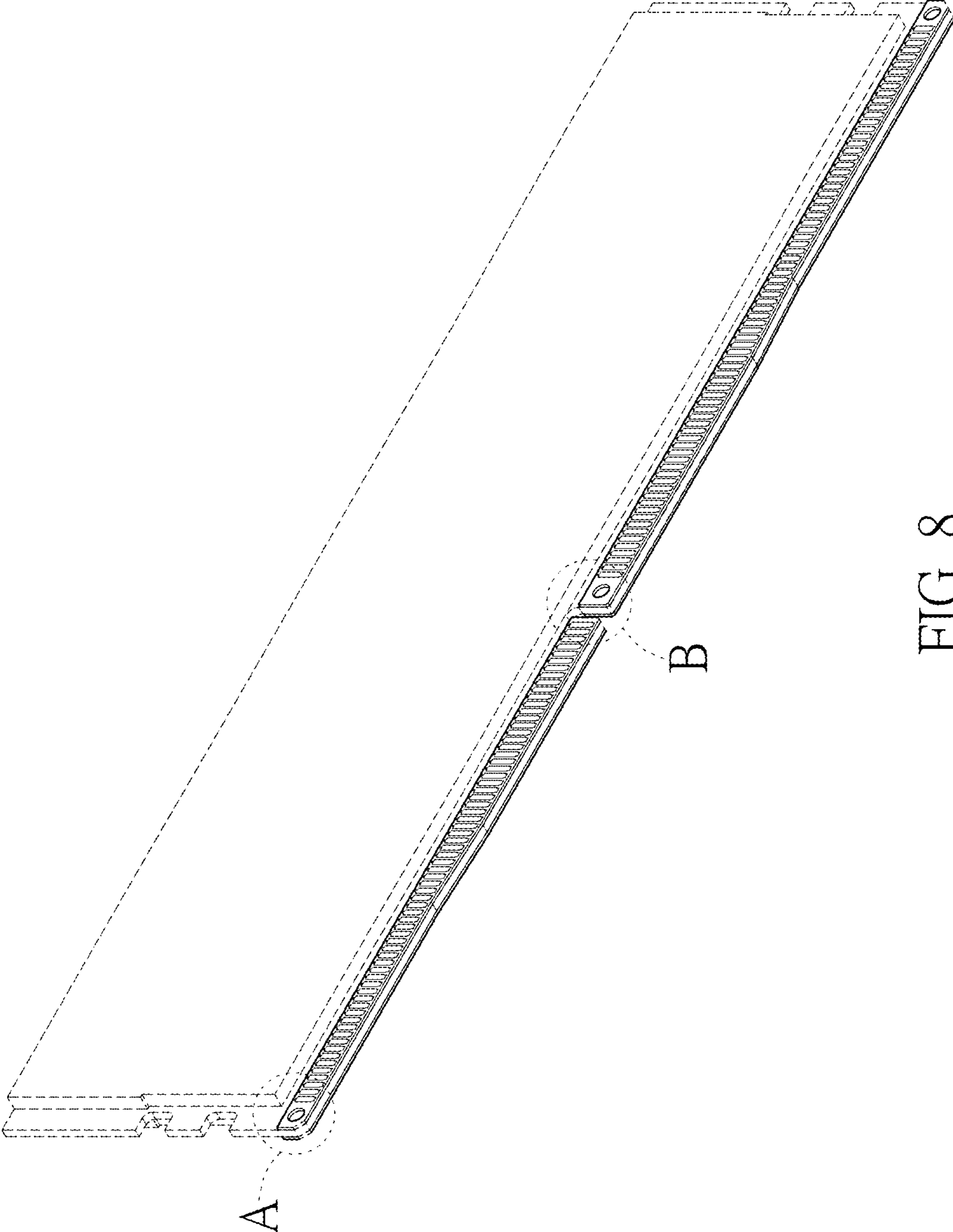


FIG. 8

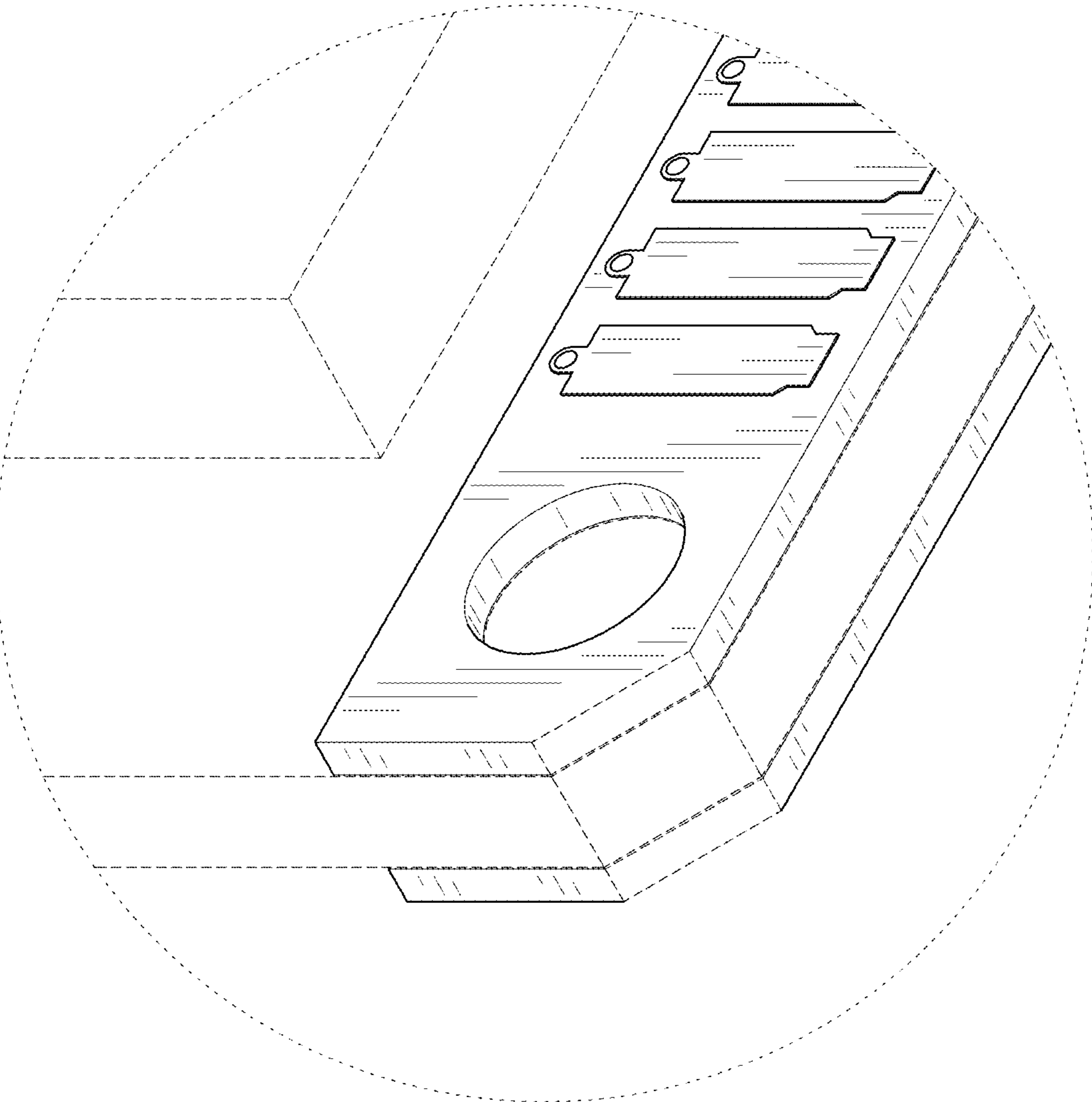


FIG. 9

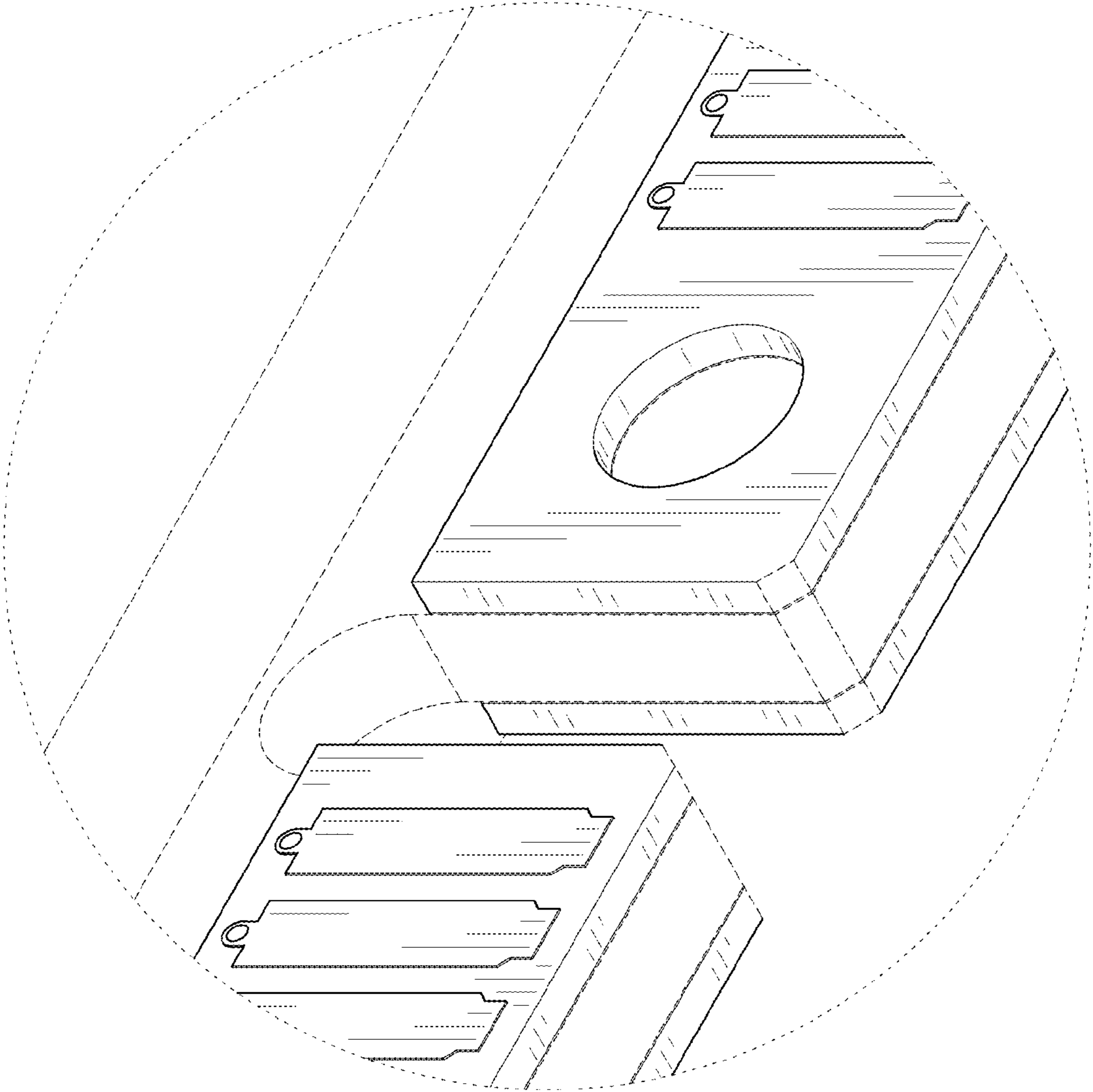


FIG. 10