



US00D954059S

(12) **United States Design Patent**
Zhang

(10) **Patent No.:** **US D954,059 S**

(45) **Date of Patent:** **** Jun. 7, 2022**

(54) **DATA CABLE**

(71) Applicant: **Dongguan Aikede Electronic Technology Co., Ltd, Dongguan (CN)**

(72) Inventor: **Dehui Zhang, Dongguan (CN)**

(73) Assignee: **DONGGUAN AIKEDE ELECTRONIC TECHNOLOGY CO., LTD, Dongguan (CN)**

(**) Term: **15 Years**

(21) Appl. No.: **29/753,110**

(22) Filed: **Sep. 30, 2020**

(30) **Foreign Application Priority Data**

Sep. 16, 2020 (CN) 202030552308.3

(51) **LOC (13) Cl.** **14-02**

(52) **U.S. Cl.**
USPC **D14/433**

(58) **Field of Classification Search**
USPC D14/356, 432-434, 453, 454, 511, 203.8, D14/209.1, 238.1, 240, 125; 439/638, 439/928, 105, 502; 710/303, 304; 361/679.41, 679.55, 679.56; D13/110, D13/133, 146
CPC H01R 24/64; H01R 24/62; H01R 12/714; H01R 13/506; H01R 13/6658
See application file for complete search history.

(56) **References Cited**

U.S. PATENT DOCUMENTS

D448,734 S * 10/2001 Nakashima D13/153
D449,582 S * 10/2001 Nakashima D13/153

D705,178 S * 5/2014 Olsson D13/153
D727,907 S * 4/2015 Higashi D14/433
D739,824 S * 9/2015 Lin D13/146
D753,060 S * 4/2016 Miller D13/110
D832,849 S * 11/2018 Kim D14/433
D887,990 S * 6/2020 Wang D14/433
D908,095 S * 1/2021 Turksu D14/433
D910,578 S * 2/2021 Turksu D14/433
D924,151 S * 7/2021 Chen D13/133

* cited by examiner

Primary Examiner — Austin Murphy

(74) *Attorney, Agent, or Firm* — Andrew C. Cheng

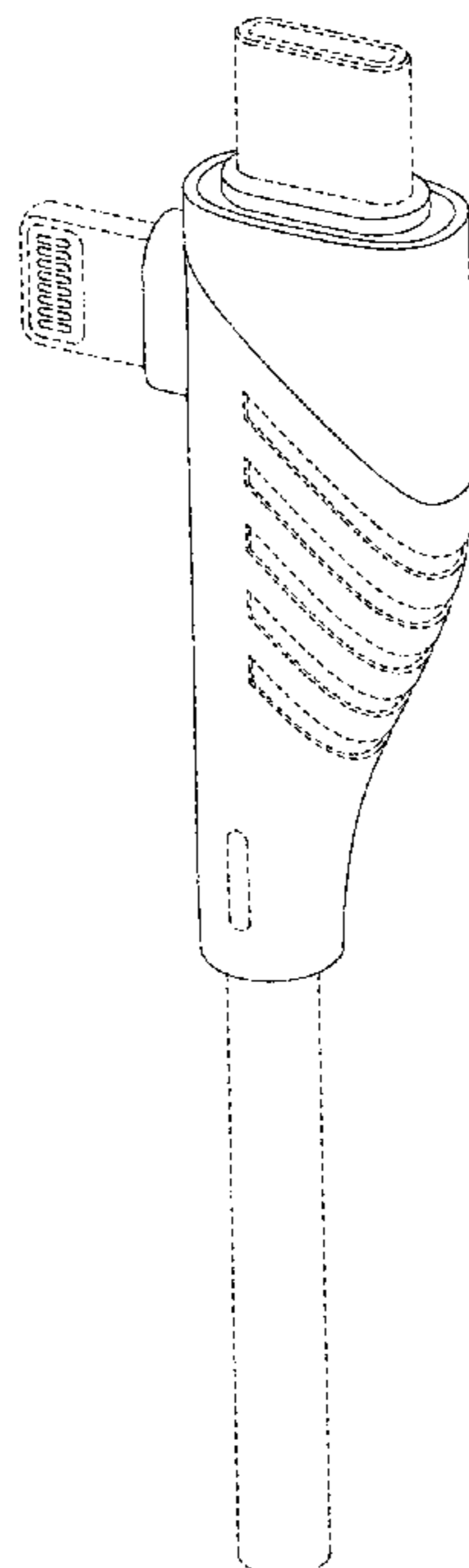
(57) **CLAIM**

I claim the ornamental design for a data cable, as shown and described.

DESCRIPTION

FIG. 1 is a perspective view of a data cable showing my new design according to a first embodiment;
FIG. 2 is a perspective view of FIG. 1, viewed in another aspect;
FIG. 3 is a front view thereof;
FIG. 4 is a rear view thereof;
FIG. 5 is a left side view thereof;
FIG. 6 is a right side view thereof;
FIG. 7 is a top view thereof; and,
FIG. 8 is a bottom view thereof.
The broken line showing of the environment is for illustrative purposes only and forms no part of the claimed design.

1 Claim, 8 Drawing Sheets



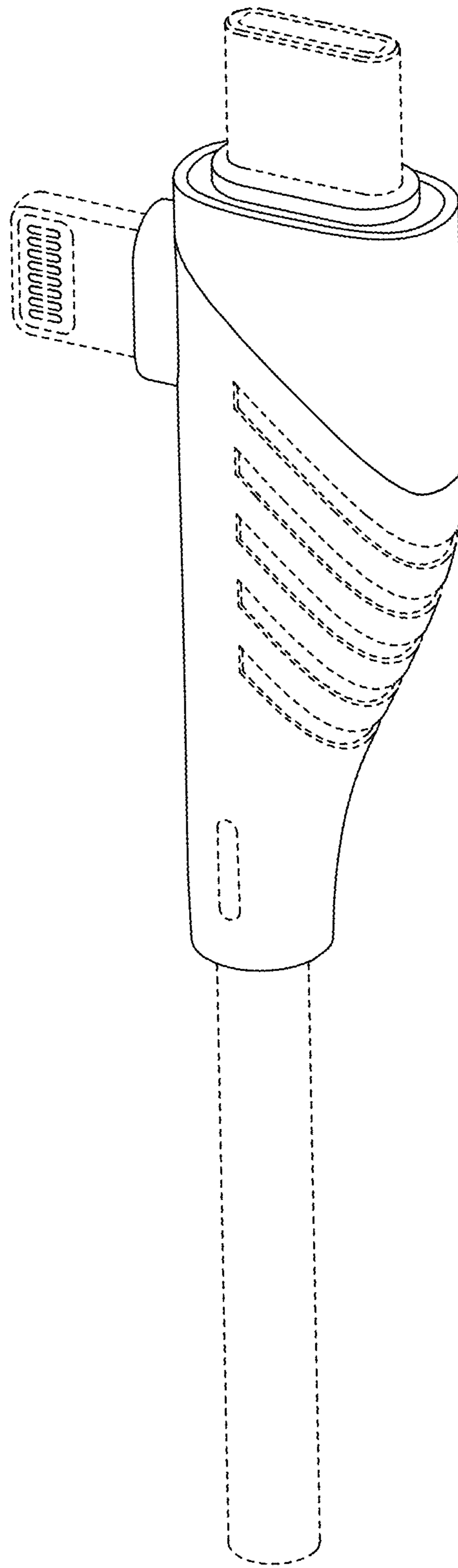


FIG. 1

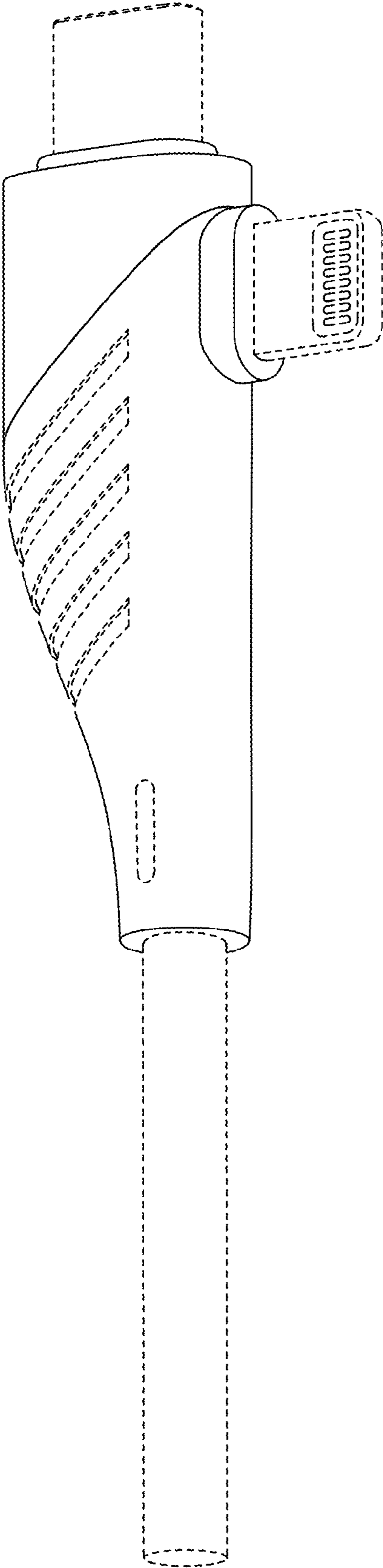


FIG. 2

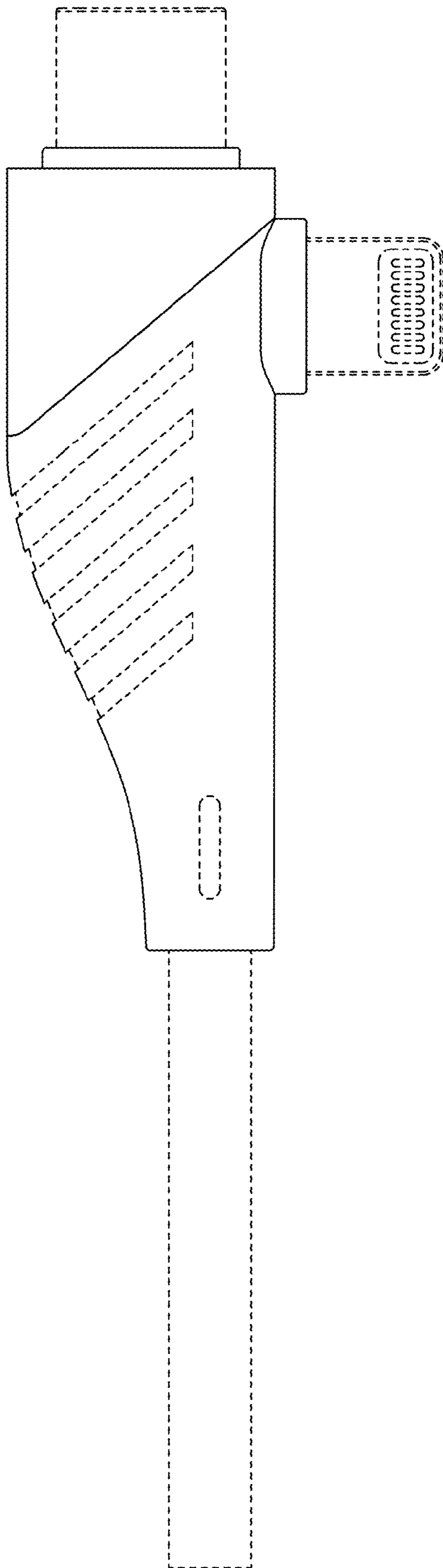


FIG. 3

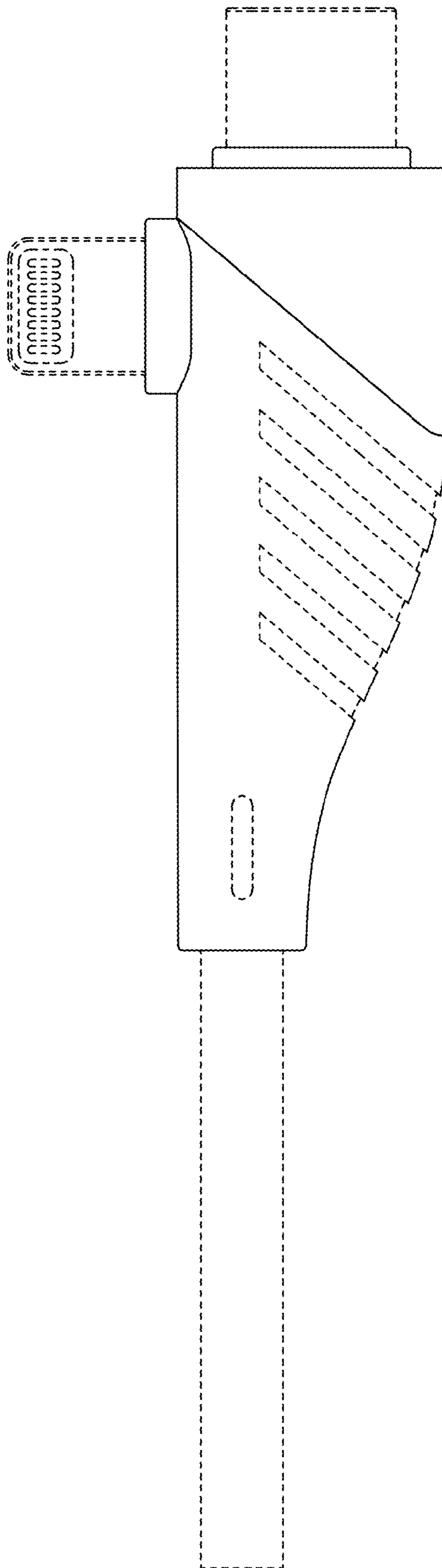


FIG. 4

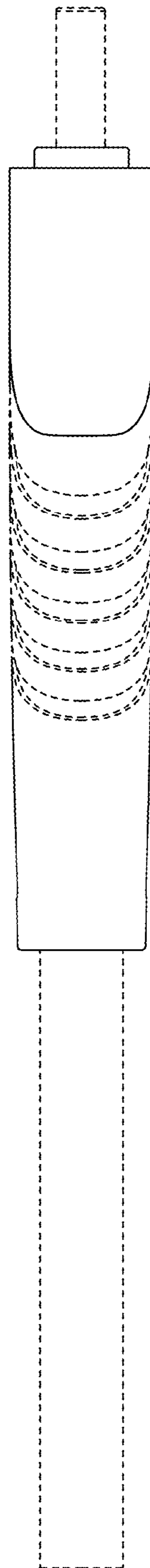


FIG. 5

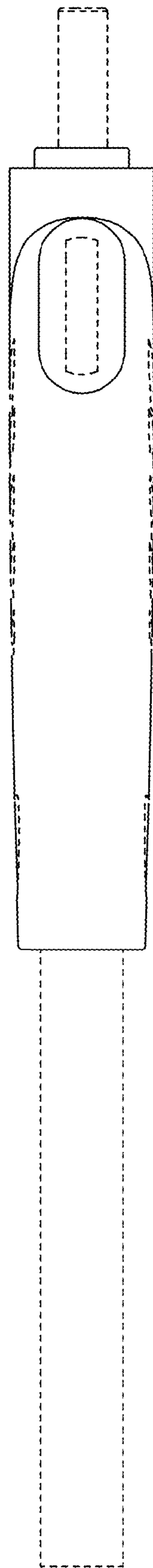


FIG. 6

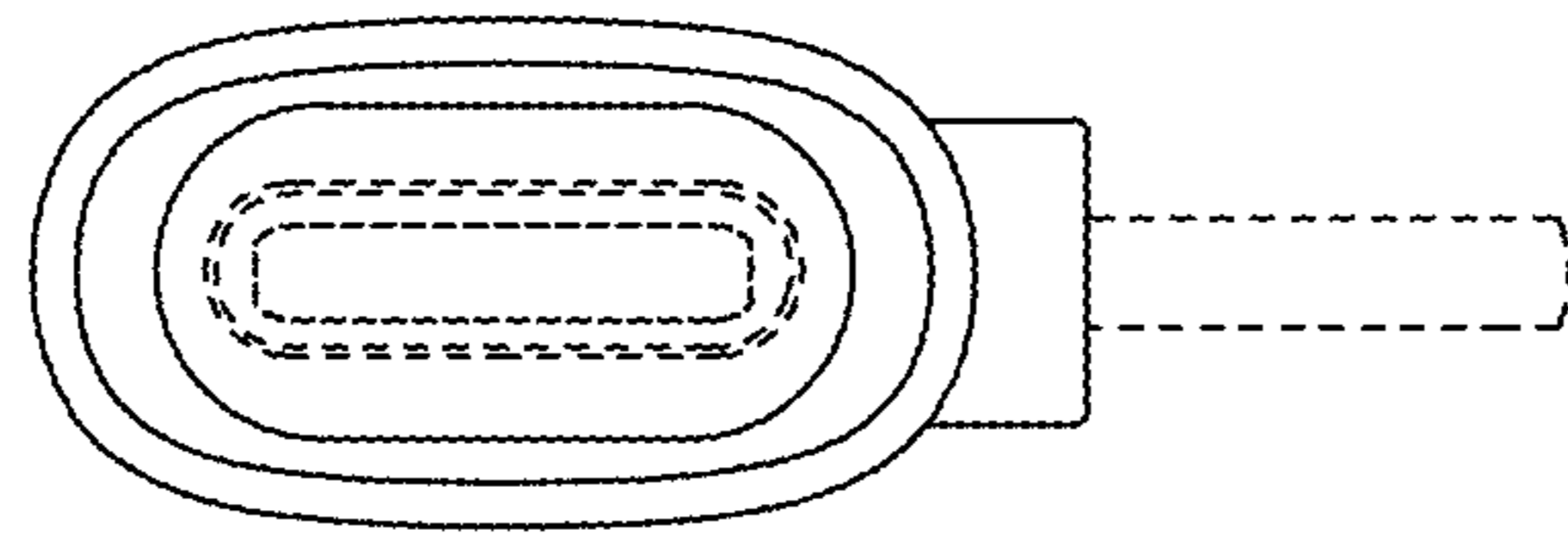


FIG. 7

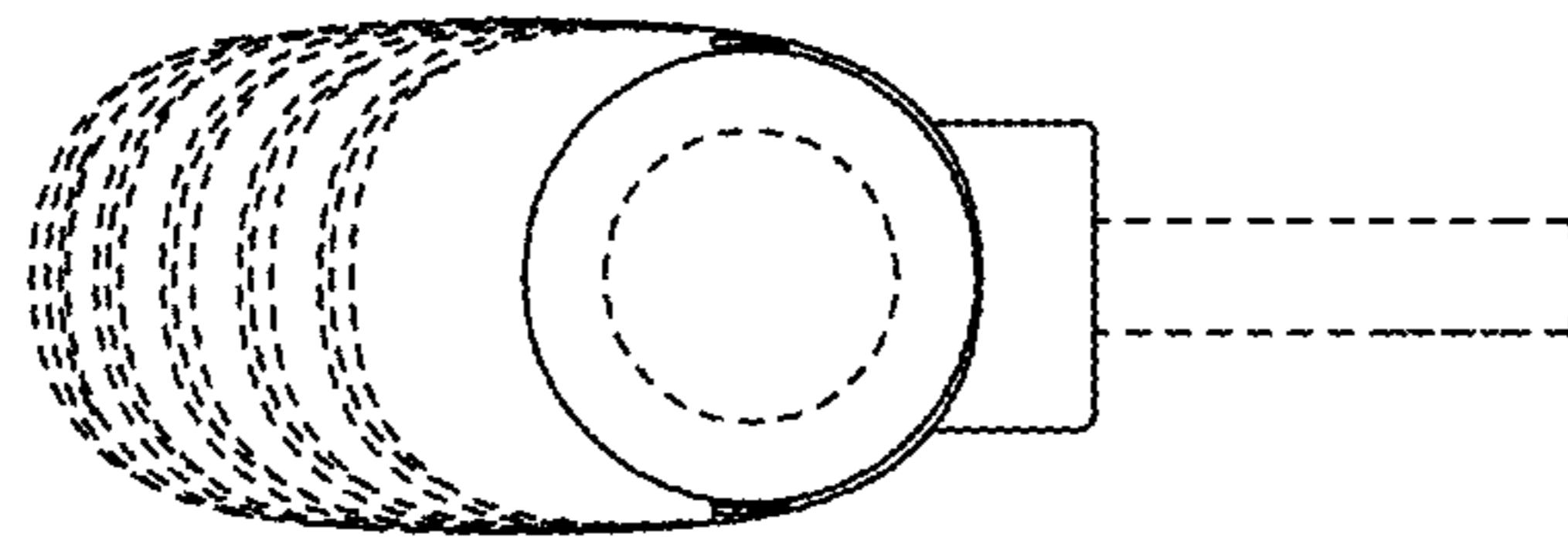


FIG. 8