



US00D954057S

(12) **United States Design Patent**  
**Zhang et al.**

(10) **Patent No.:** **US D954,057 S**  
(45) **Date of Patent:** **\*\* Jun. 7, 2022**

- (54) **HARD DISK CASE**
- (71) Applicant: **UGREEN GROUP LIMITED**,  
Shenzhen (CN)
- (72) Inventors: **Qingsen Zhang**, Shenzhen (CN);  
**Junling Chen**, Shenzhen (CN);  
**Jianqiang Liang**, Shenzhen (CN)
- (\*\*) Term: **15 Years**
- (21) Appl. No.: **29/752,099**
- (22) Filed: **Sep. 24, 2020**
- (51) **LOC (13) Cl.** ..... **14-02**
- (52) **U.S. Cl.**  
USPC ..... **D14/433**
- (58) **Field of Classification Search**  
USPC ..... D14/240, 242, 356, 358, 363, 365, 367,  
D14/370, 432-437, 439, 498, 125, 366,  
D14/168, 496; D13/147, 164, 123, 133,  
D13/146, 110, 199, 103, 162, 159, 160,  
D13/184; 361/683, 684, 686, 724, 735,  
361/737, 752; D18/40  
CPC .... H01R 25/006; H01R 27/02; H01R 31/005;  
G06F 13/4022; G06F 13/382; G06F  
1/1632; G06F 1/1684; G06F 1/20; G06F  
1/1607  
See application file for complete search history.

4,534,467 A *	8/1985	Rathbun	.....	A61J 3/071
				426/138
D317,526 S *	6/1991	Lapham	.....	D3/265
D419,978 S *	2/2000	Mah	.....	D14/299
D711,891 S *	8/2014	Emami	.....	D14/480.5
D757,734 S *	5/2016	Emami	.....	D14/480.7
D786,264 S *	5/2017	Lin	.....	D14/480.1
D793,995 S *	8/2017	Nakagawa	.....	D14/218
D842,307 S *	3/2019	Lin	.....	D14/480.5
D864,213 S *	10/2019	Yang	.....	D14/480.5
D911,950 S *	3/2021	Zhang	.....	D13/103
D930,646 S *	9/2021	Zhang	.....	D14/348
D942,452 S *	2/2022	Zhang	.....	D14/385
D943,572 S *	2/2022	Zhang	.....	D14/348

\* cited by examiner

*Primary Examiner* — Austin Murphy

(57) **CLAIM**

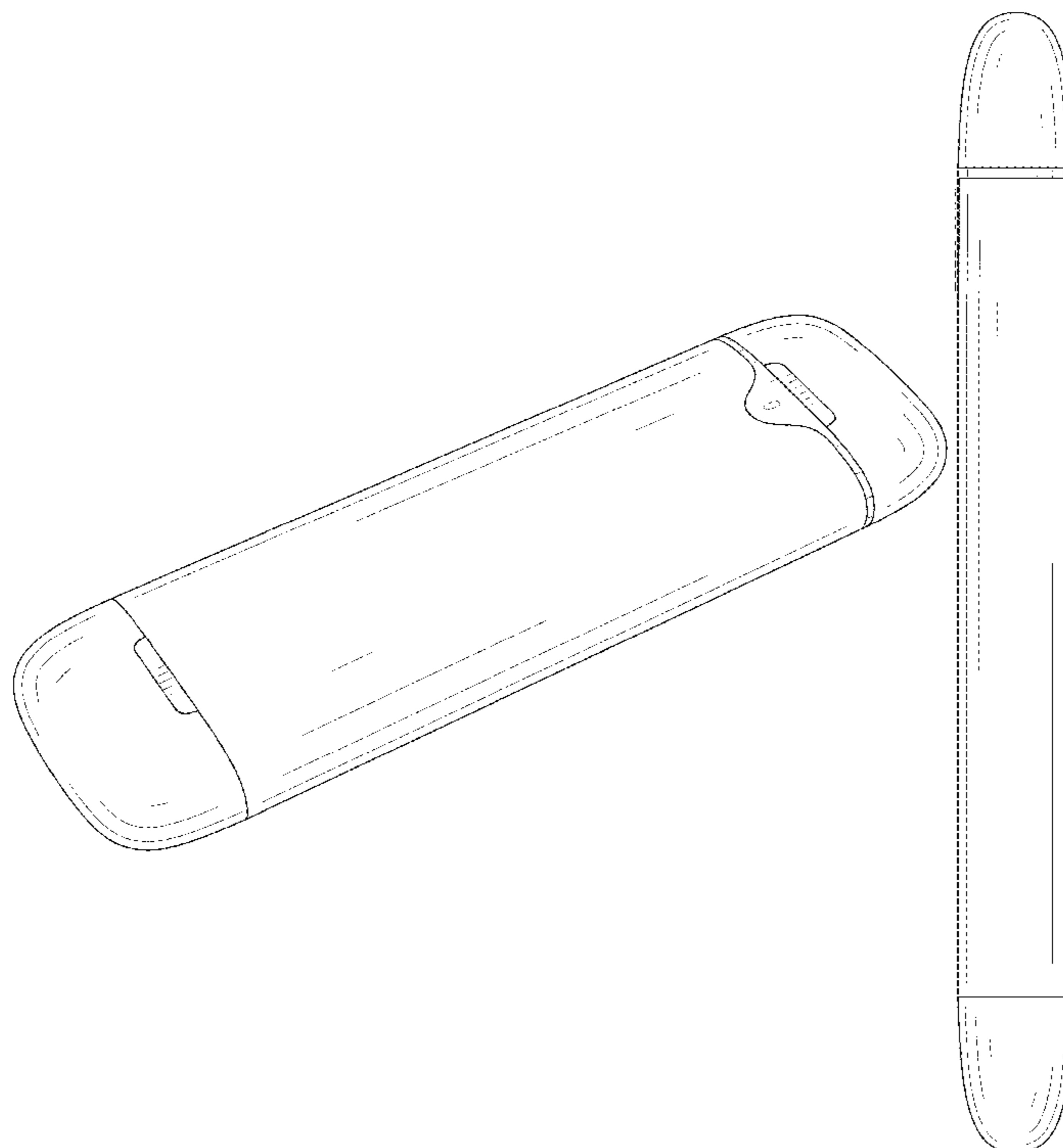
The ornamental design for a hard disk case, as shown and described.

**DESCRIPTION**

FIG. 1 is a front perspective view of a hard disk case, showing our new design;  
 FIG. 2 is a front elevational view thereof;  
 FIG. 3 is a rear elevational view thereof;  
 FIG. 4 is a left side elevational view thereof;  
 FIG. 5 is a right side elevational view thereof;  
 FIG. 6 is a top plan view thereof;  
 FIG. 7 is a bottom plan view thereof; and,  
 FIG. 8 is an exploded view thereof.  
 The broken lines in the figures illustrate portions of the article that form no part of the claimed design.

**1 Claim, 8 Drawing Sheets**

- (56) **References Cited**  
U.S. PATENT DOCUMENTS  
D243,975 S \* 4/1977 Persson ..... D9/504  
D262,497 S \* 1/1982 Chan ..... D3/229



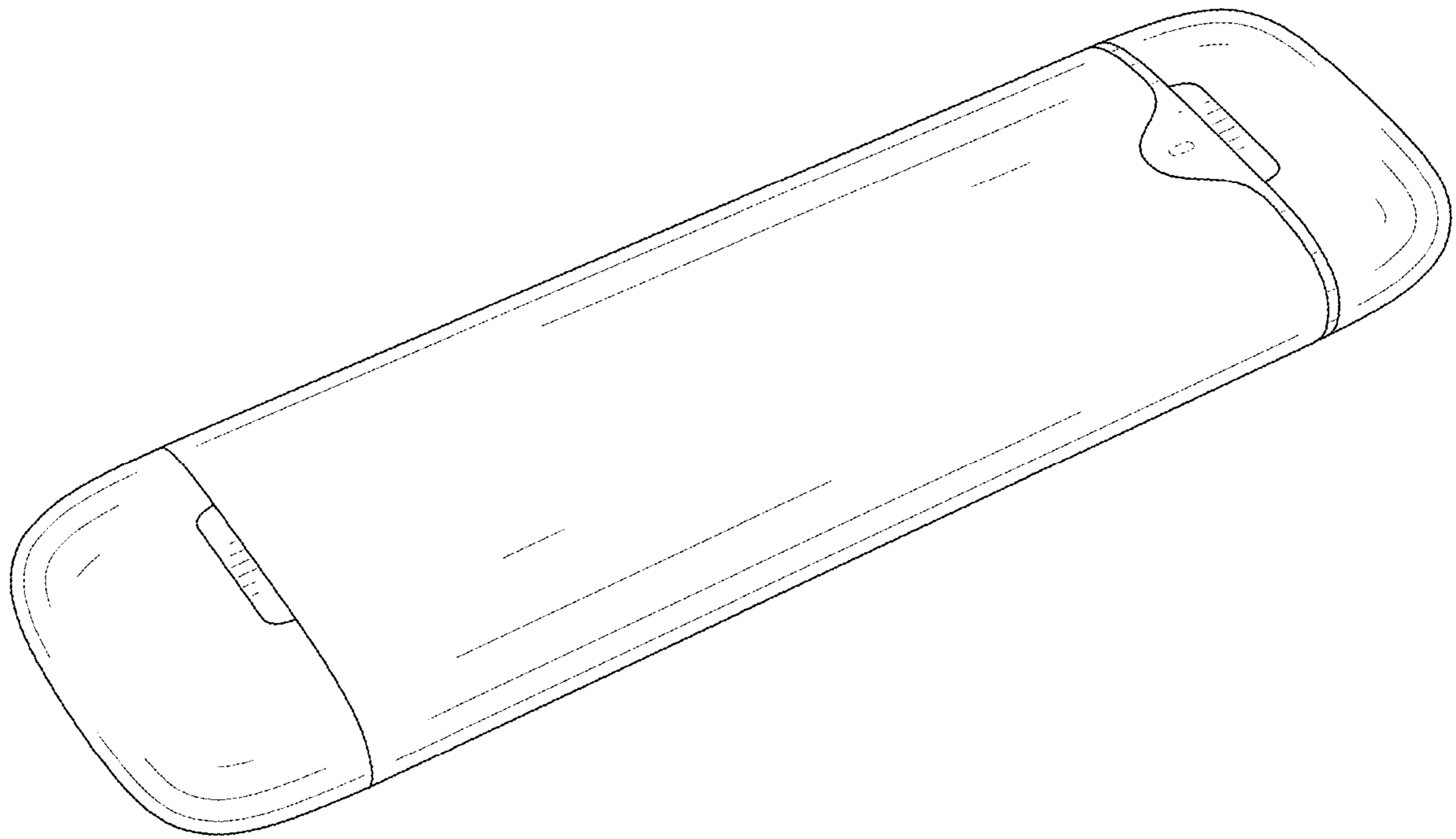


FIG. 1

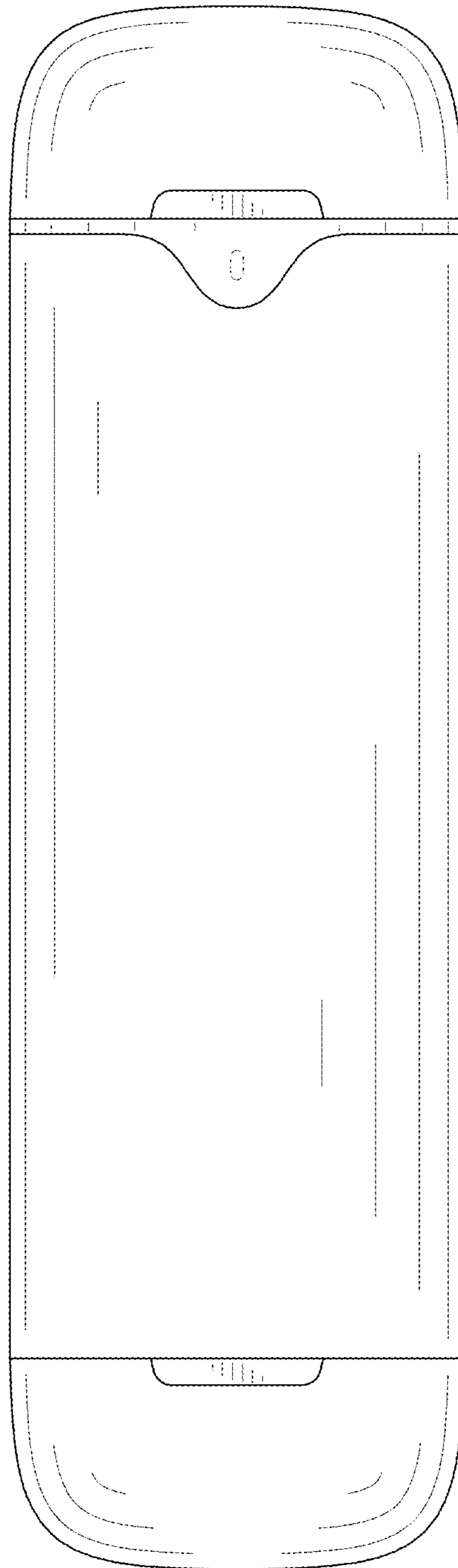


FIG. 2

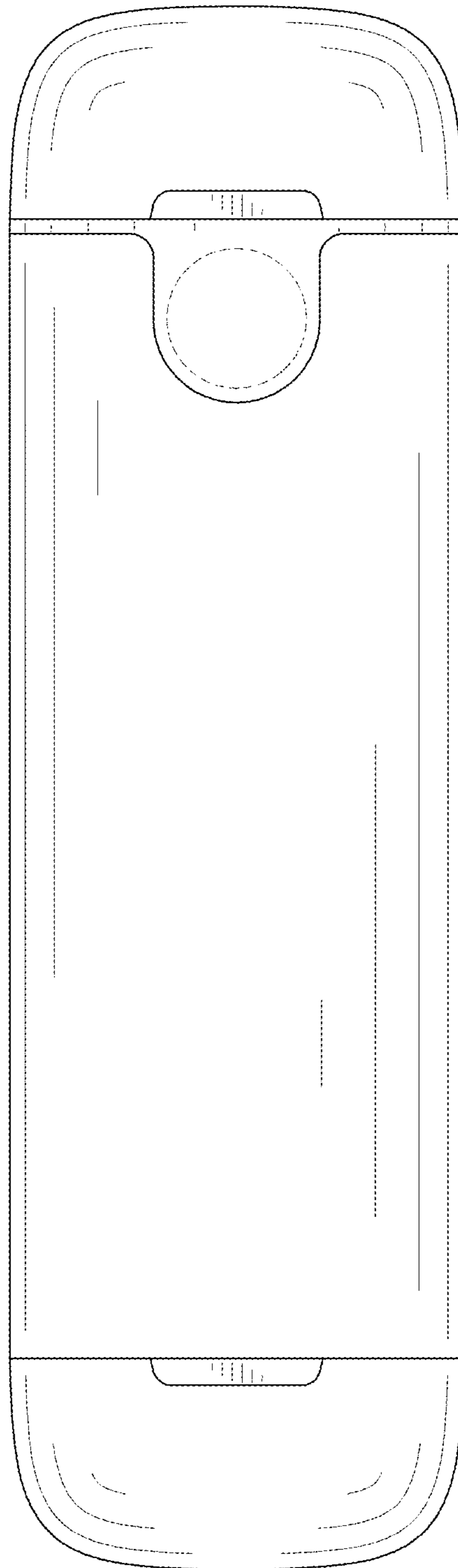


FIG. 3

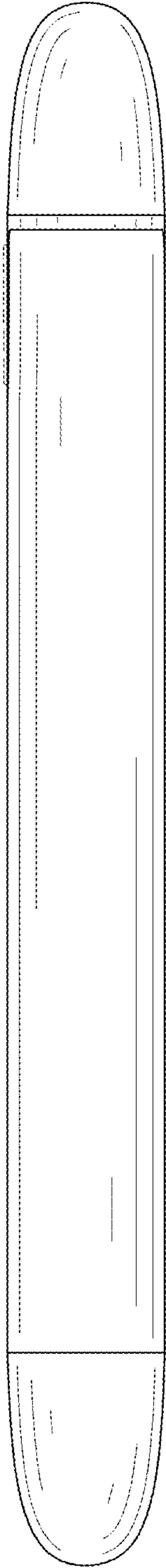


FIG. 4

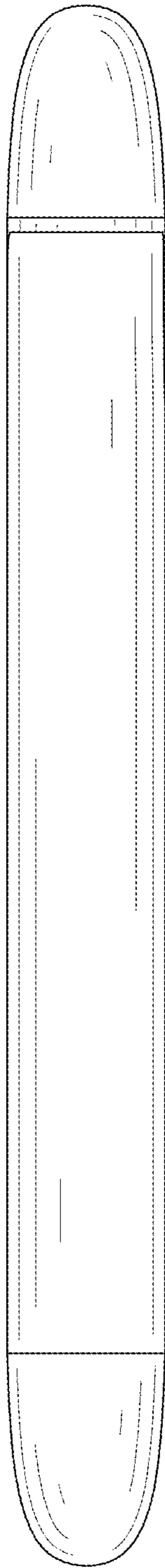


FIG. 5

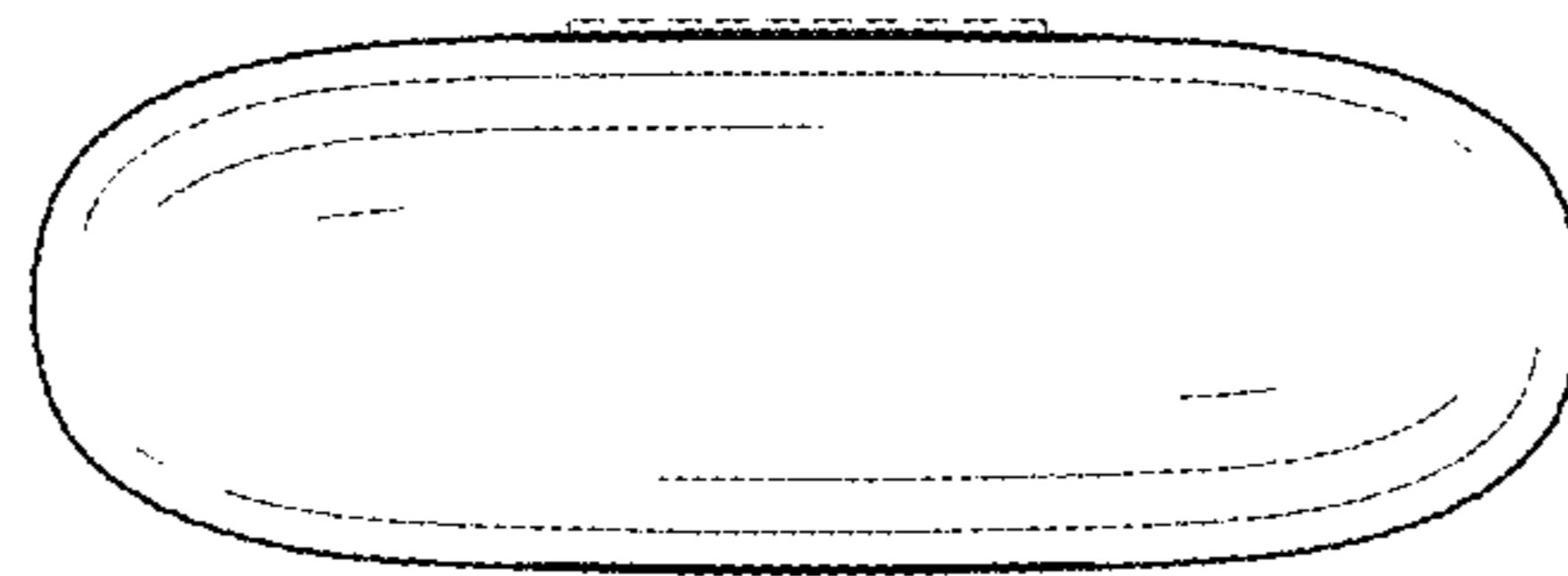


FIG. 6

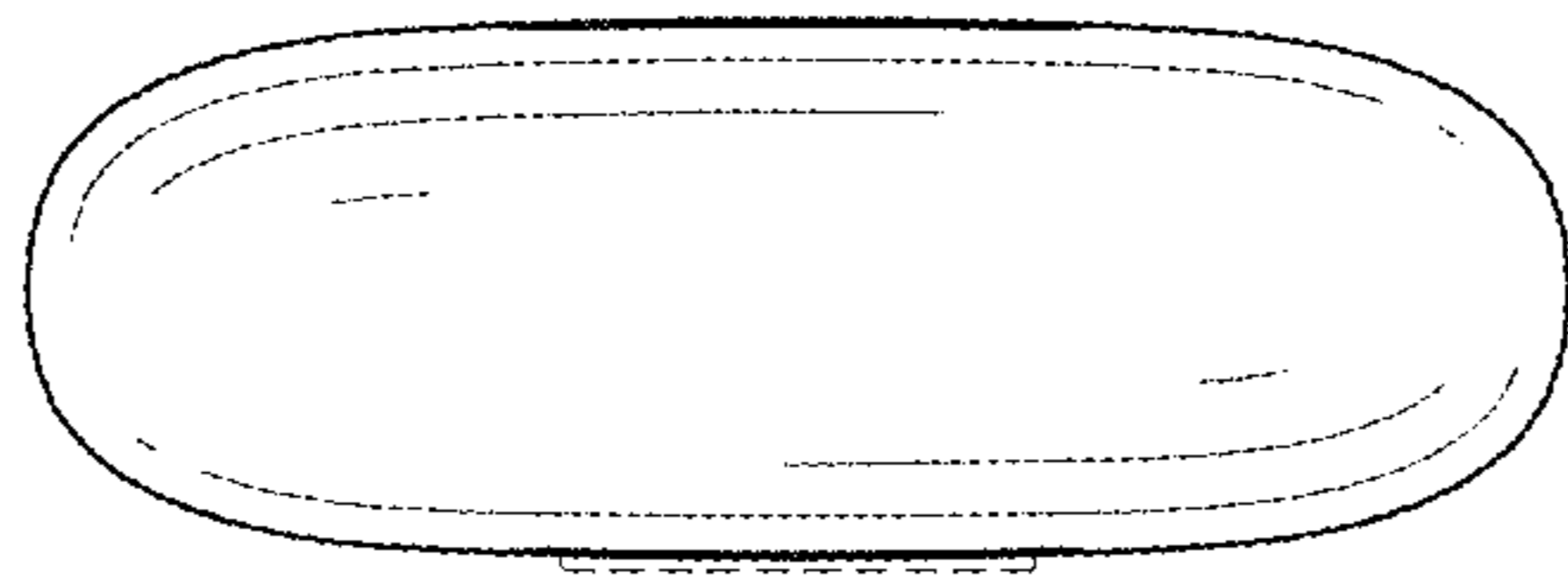


FIG. 7



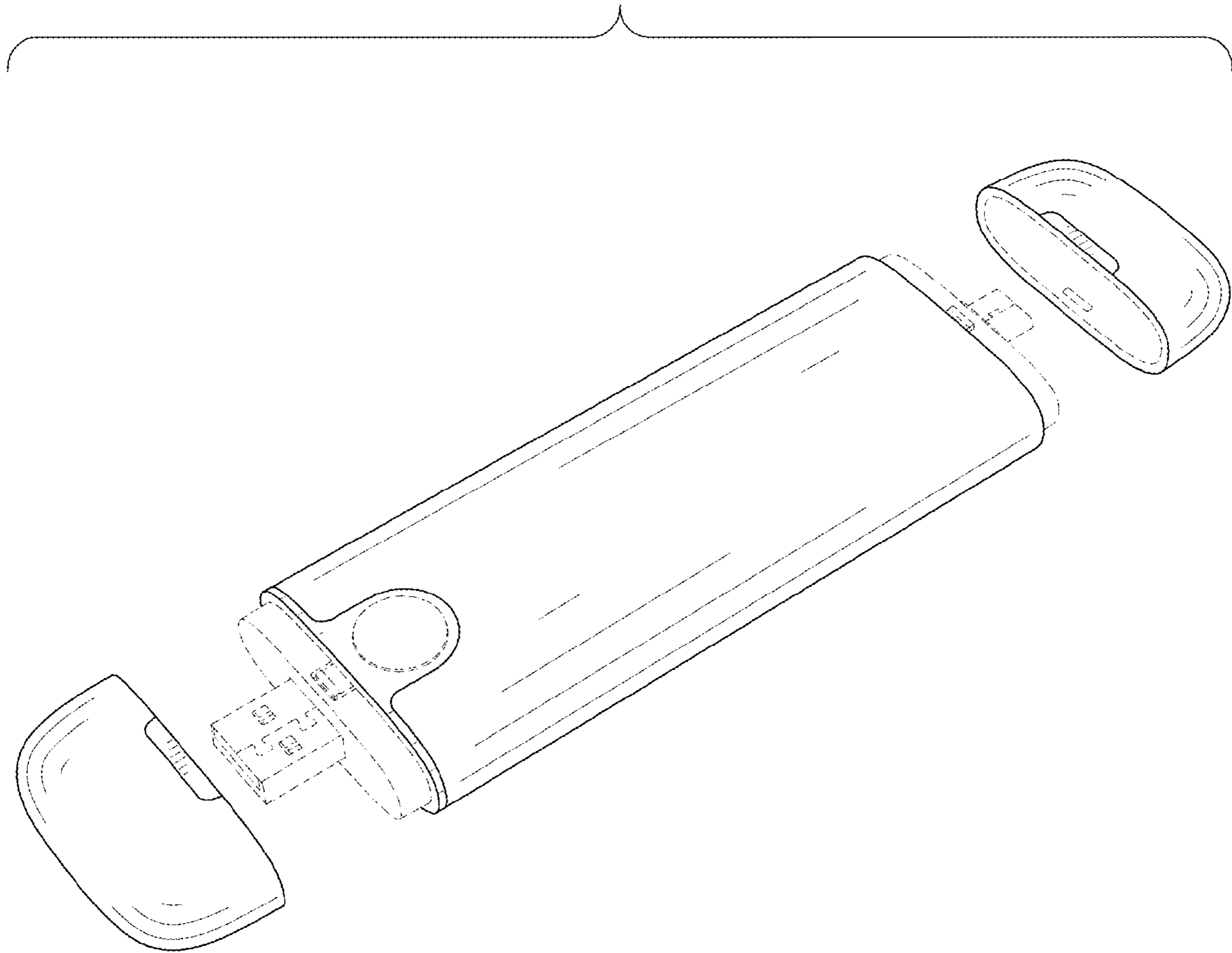


FIG. 8