



US00D954053S

(12) **United States Design Patent**
Chen

(10) **Patent No.:** **US D954,053 S**

(45) **Date of Patent:** **** Jun. 7, 2022**

(54) **MOUSE**

(71) Applicant: **Shenzhen Shenggao Network Technology Co., Ltd., Shenzhen (CN)**

(72) Inventor: **Xiongbin Chen, Shenzhen (CN)**

(**) Term: **15 Years**

(21) Appl. No.: **29/796,402**

(22) Filed: **Jun. 24, 2021**

(51) **LOC (13) Cl.** **14-02**

(52) **U.S. Cl.**
USPC **D14/409; D14/406**

(58) **Field of Classification Search**
USPC D14/402-411, 356, 388, 389, 383-385,
D14/417, 426; 345/156-167; 463/36-38;
358/471, 473; 273/148 B
CPC G06F 3/03543; G06F 2203/0333; G06F
3/039; G06F 3/038; G06F 2203/0384
See application file for complete search history.

(56) **References Cited**

U.S. PATENT DOCUMENTS

D630,216 S	1/2011	Ng	
D630,217 S	1/2011	Ng	
D663,730 S	7/2012	Kim et al.	
D739,406 S *	9/2015	Jost	D14/409
D745,870 S *	12/2015	Jost	D14/409
D762,646 S	8/2016	Chong	
D813,869 S	3/2018	Hu	
D821,400 S *	6/2018	Pang	D14/409
D884,699 S	5/2020	Mohammad	
D890,179 S *	7/2020	Xu	D14/409

D903,673 S *	12/2020	Xu	D14/409
D903,675 S *	12/2020	Xu	D14/409
D903,676 S *	12/2020	Xu	D14/409
D903,677 S *	12/2020	Xu	D14/409
D911,340 S *	2/2021	Lee	D14/409
D920,333 S *	5/2021	Chong	D14/409
D920,978 S *	6/2021	Chong	D14/409
D923,007 S *	6/2021	Depay	D14/409
D924,238 S *	7/2021	Chong	D14/409
D925,536 S *	7/2021	Carey	D14/409
D928,155 S *	8/2021	Chong	D14/409
D940,140 S *	1/2022	Carey	D14/409
D943,581 S *	2/2022	Zhan	D14/409

* cited by examiner

Primary Examiner — Austin Murphy

(74) *Attorney, Agent, or Firm* — Rumit R. Kanakia

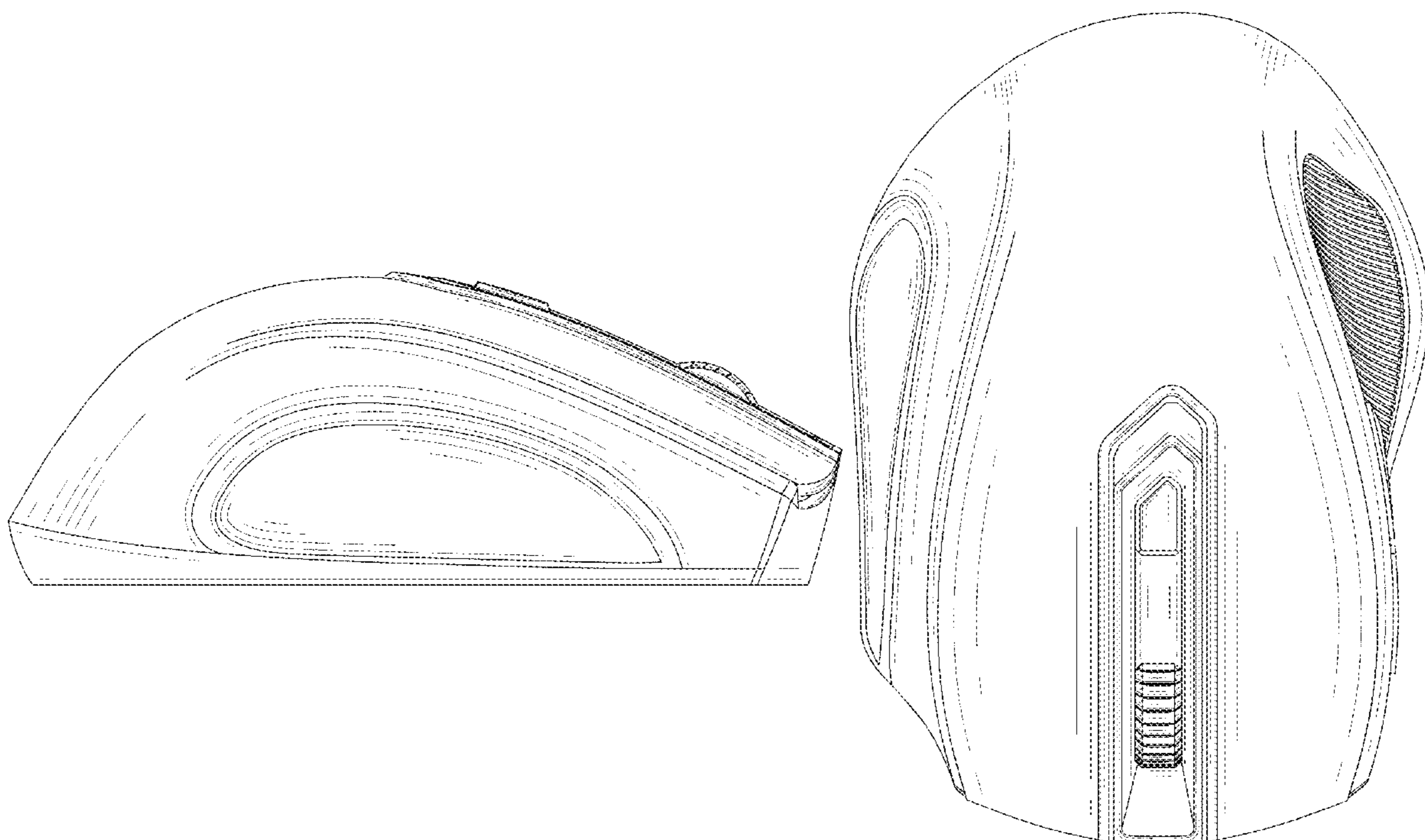
(57) **CLAIM**

I claim the ornamental design for a mouse, as shown and described.

DESCRIPTION

FIG. 1 is a Perspective view of a mouse showing my new design;
FIG. 2 is a Bottom Perspective view thereof;
FIG. 3 is a Front view thereof;
FIG. 4 is a Back view thereof;
FIG. 5 is a Left-side view thereof;
FIG. 6 is a Right-side view thereof;
FIG. 7 is a Top view thereof;
FIG. 8 is a Bottom view thereof; and,
FIG. 9 is a Zoom view of right side of FIG. 6.

1 Claim, 9 Drawing Sheets



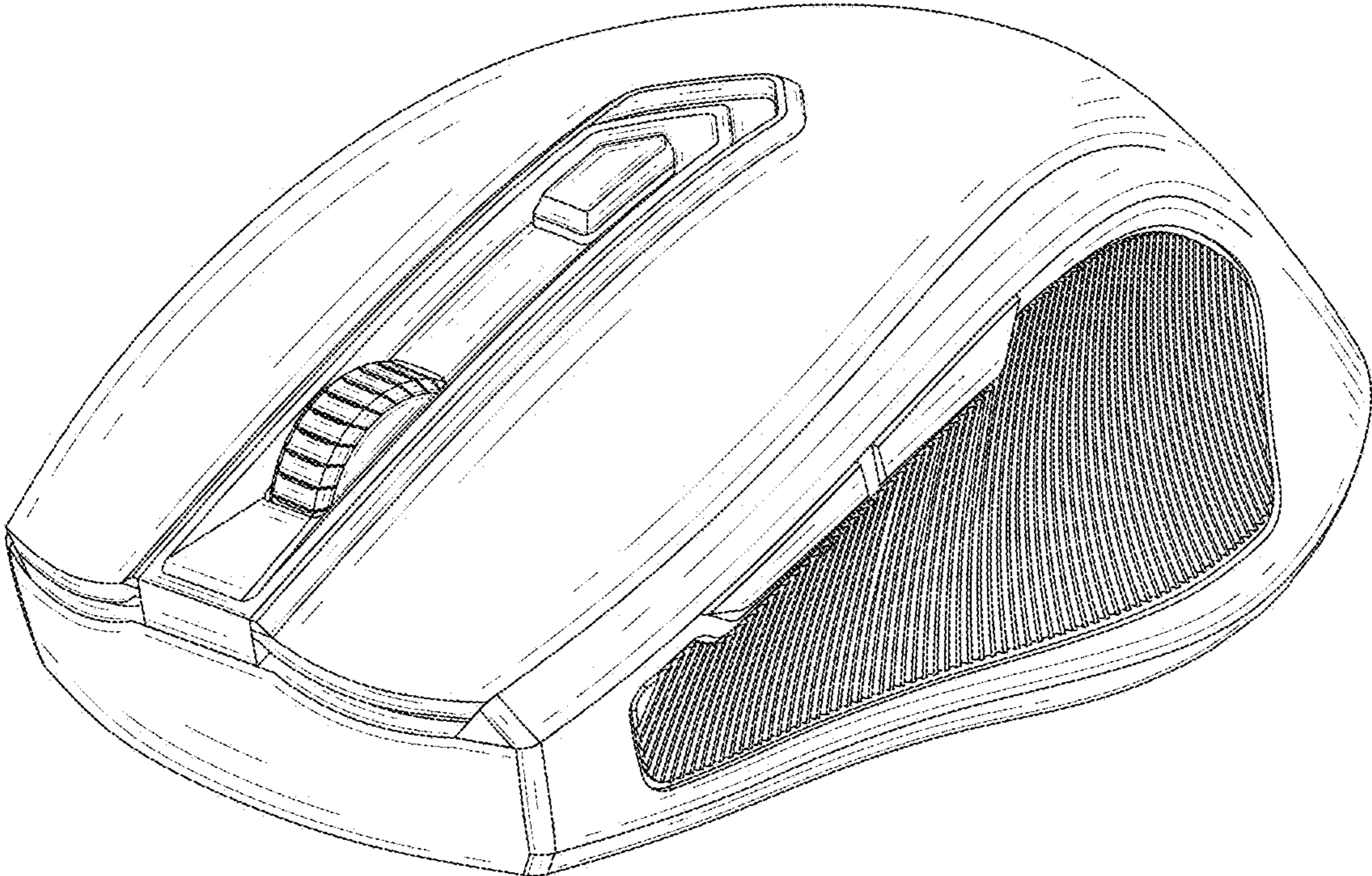


FIG. 1

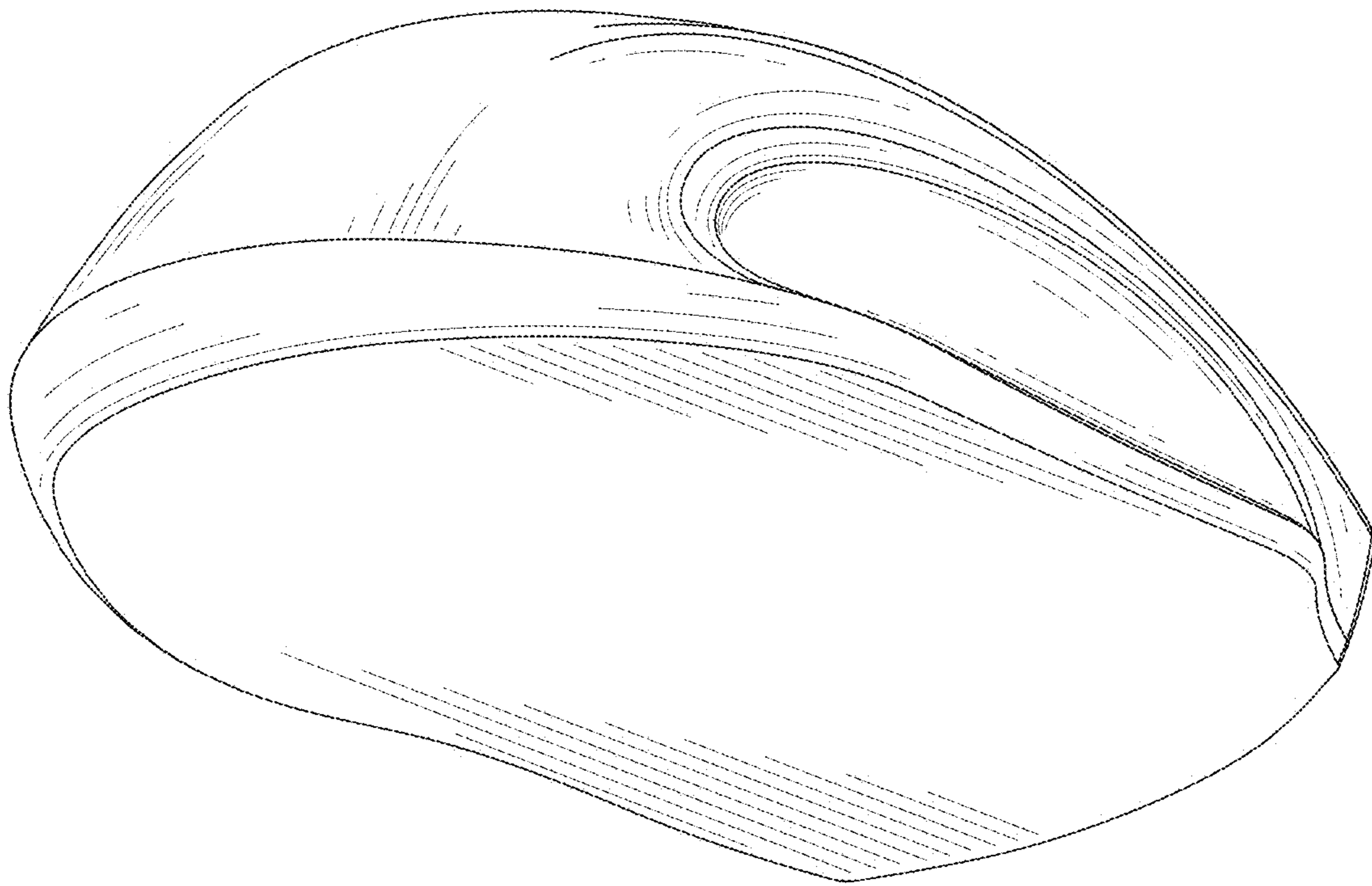


FIG. 2

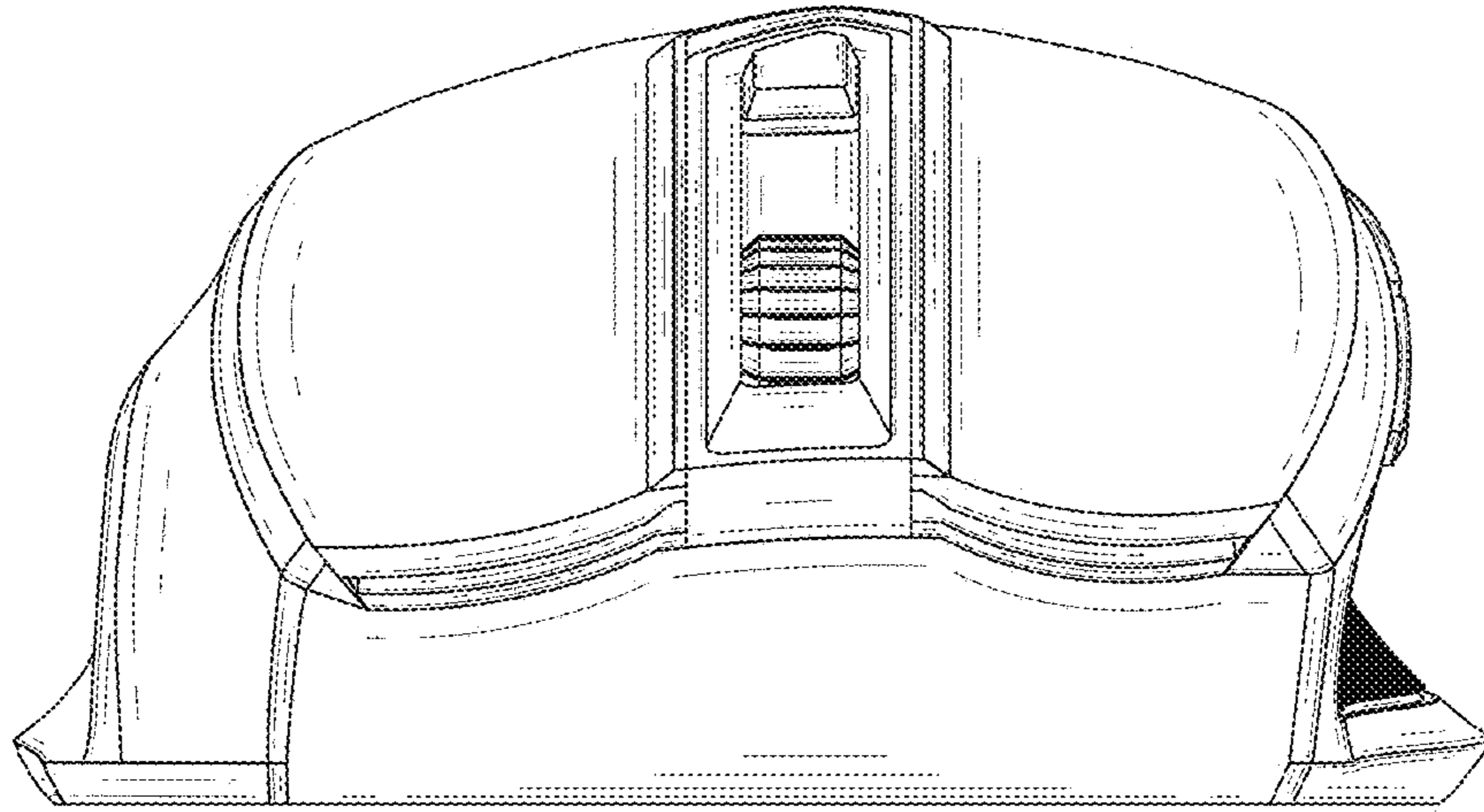


FIG. 3

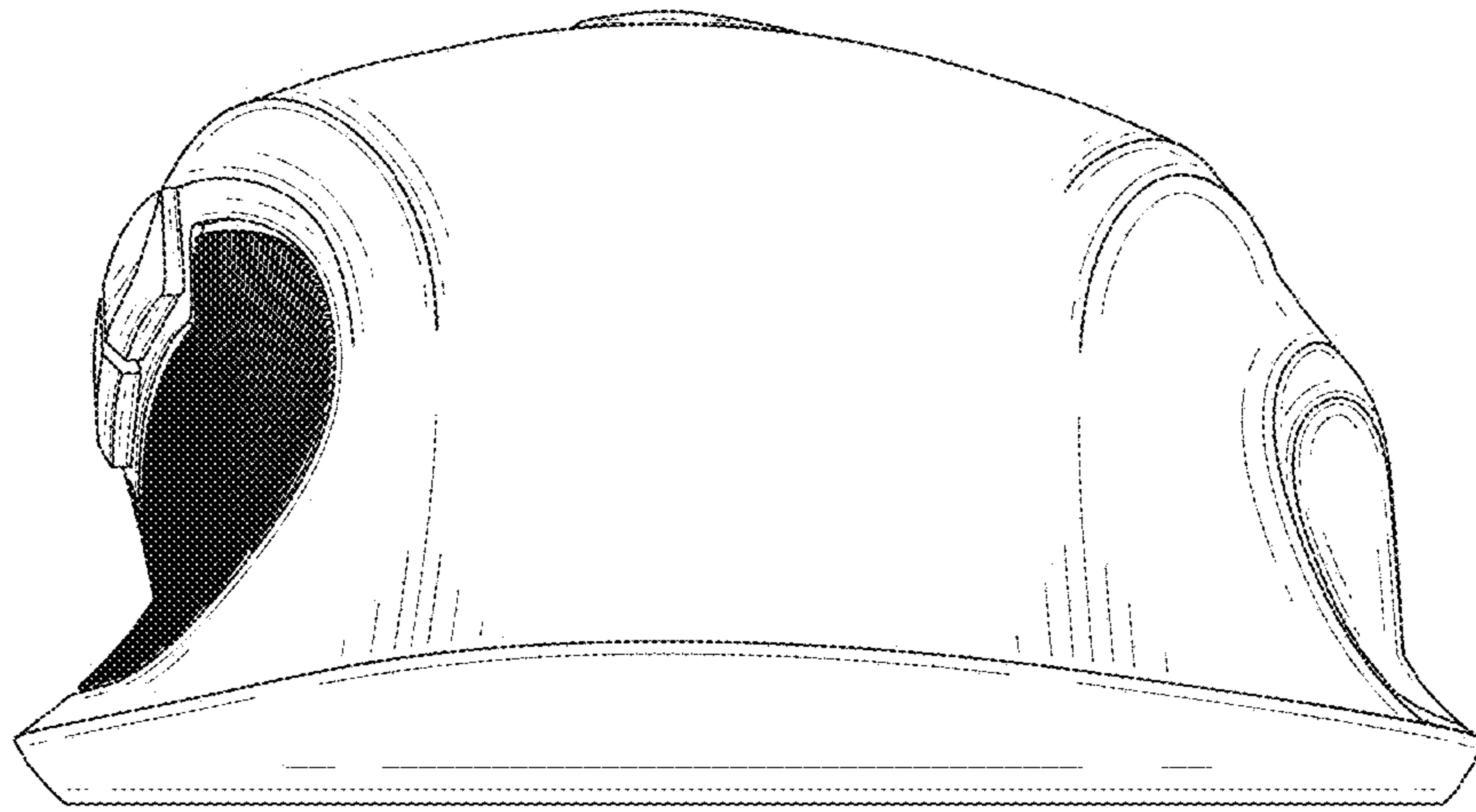


FIG. 4

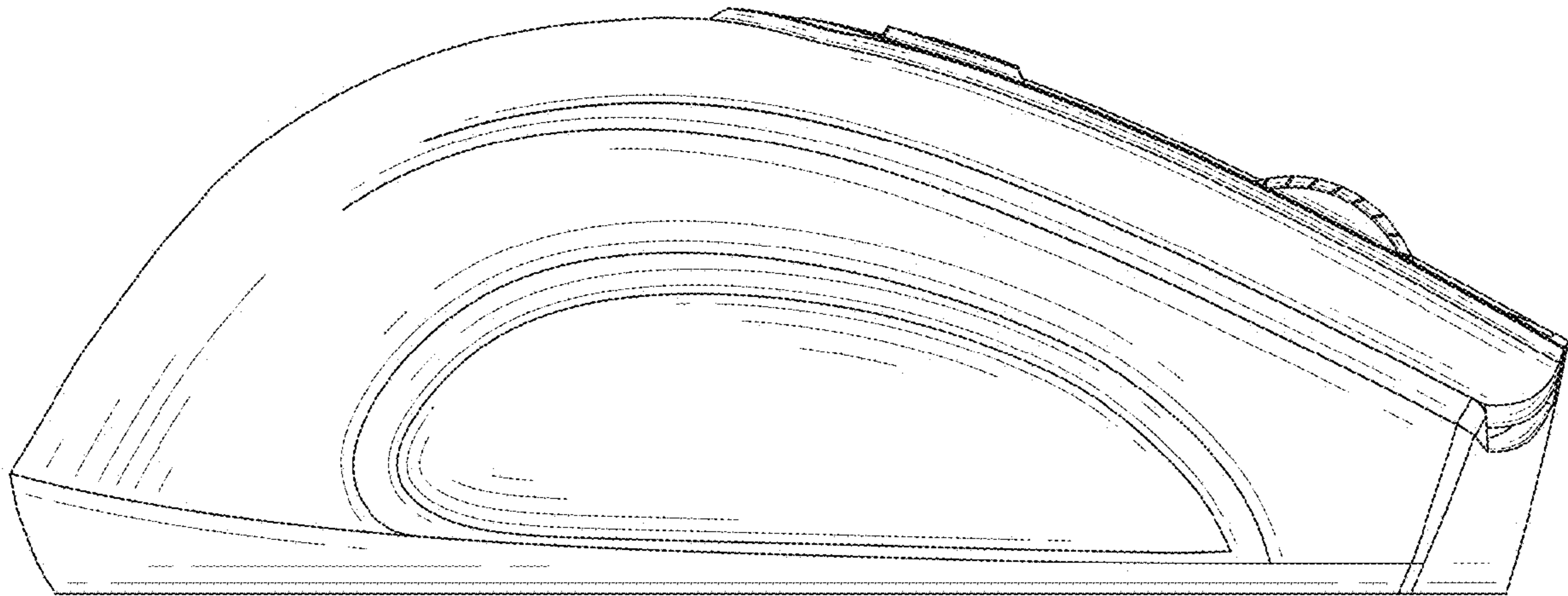


FIG. 5

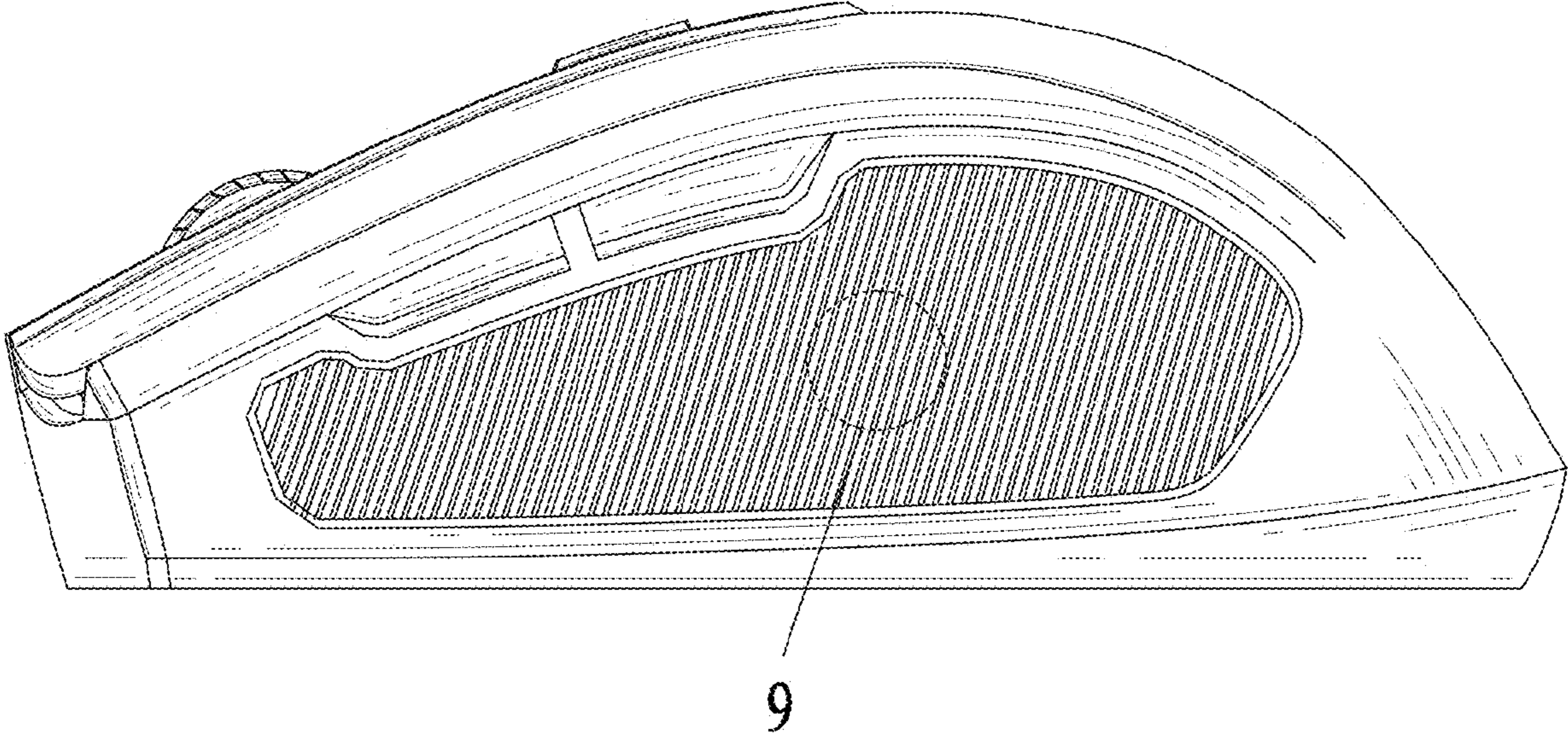


FIG. 6

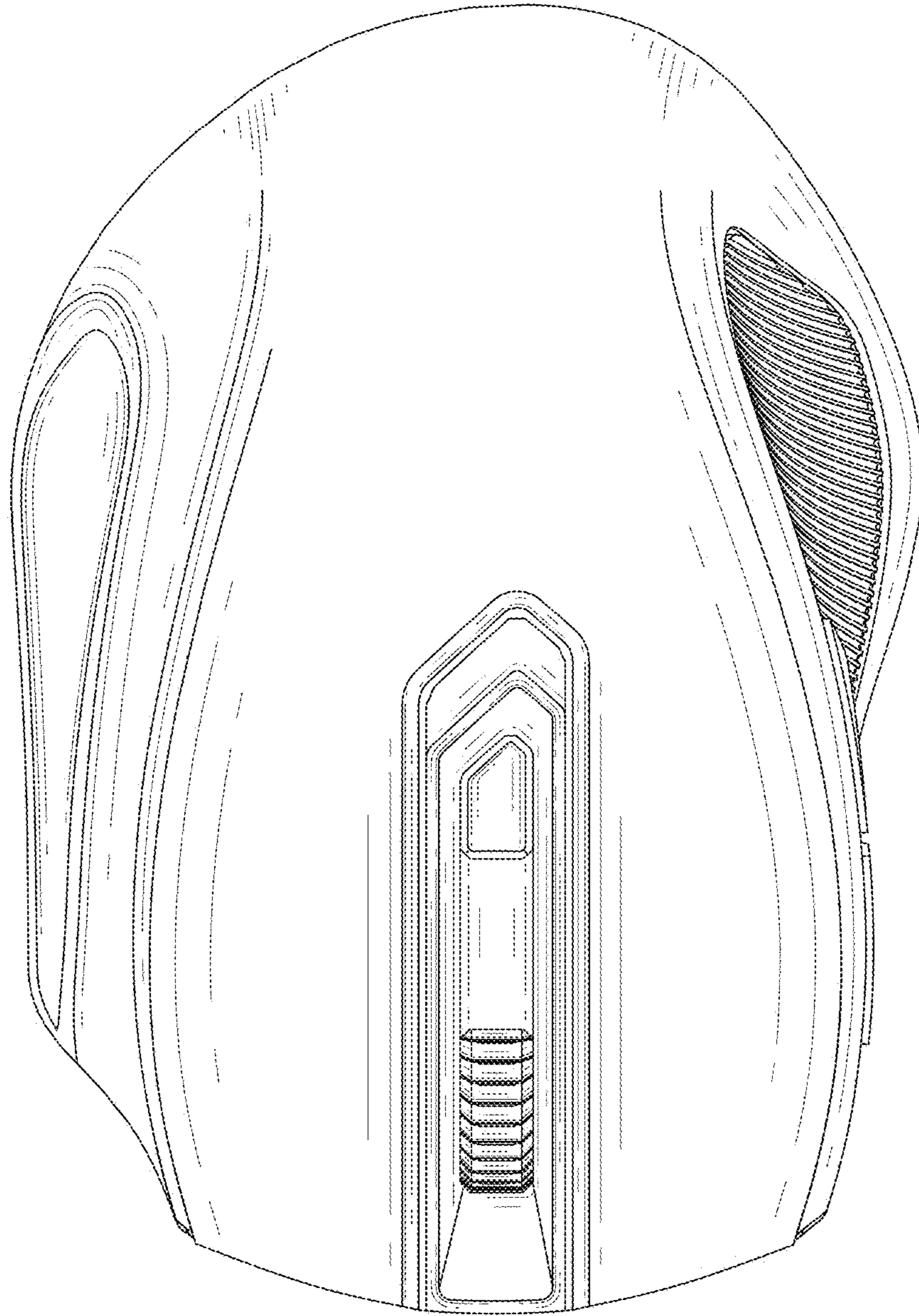


FIG. 7

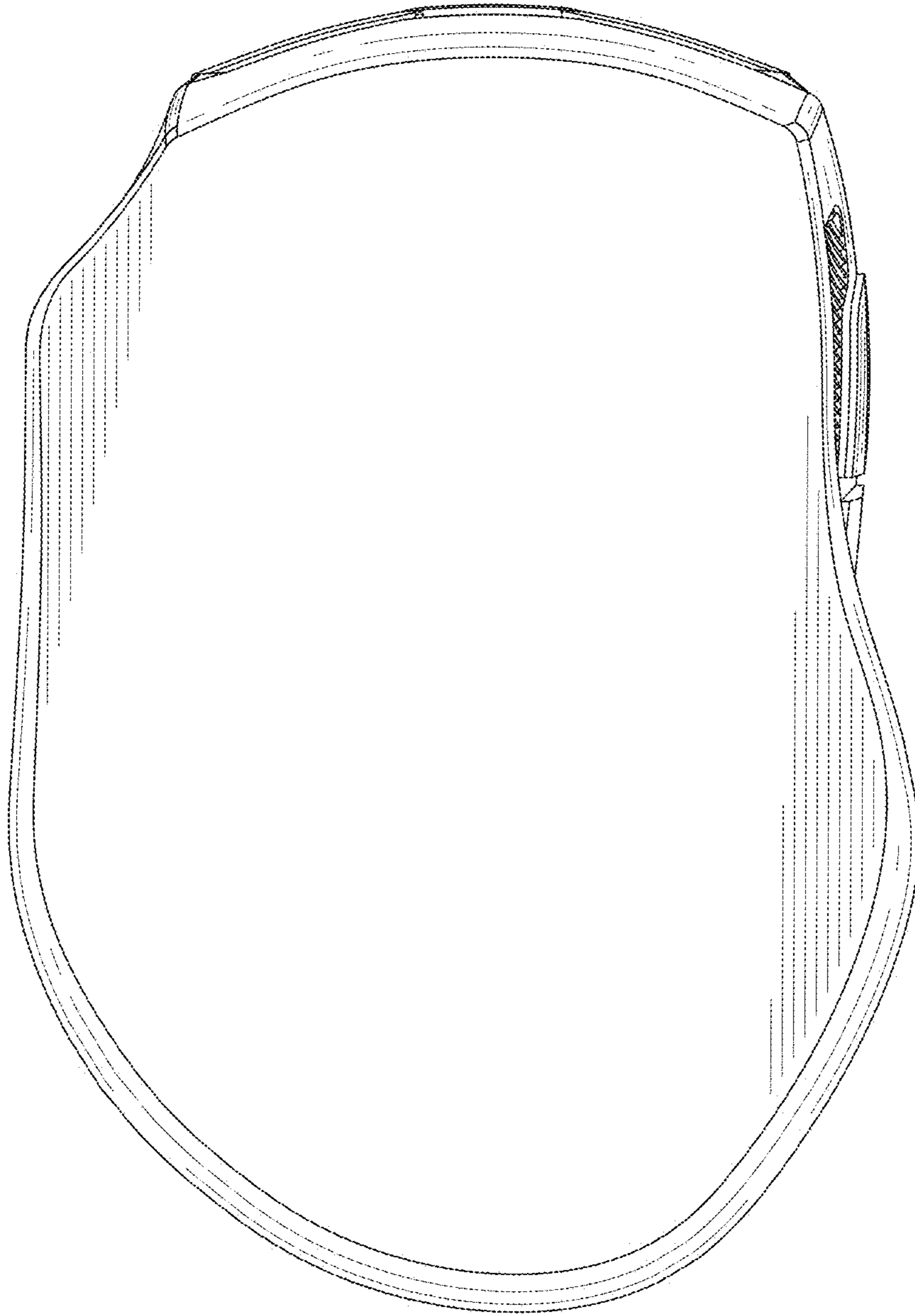


FIG. 8

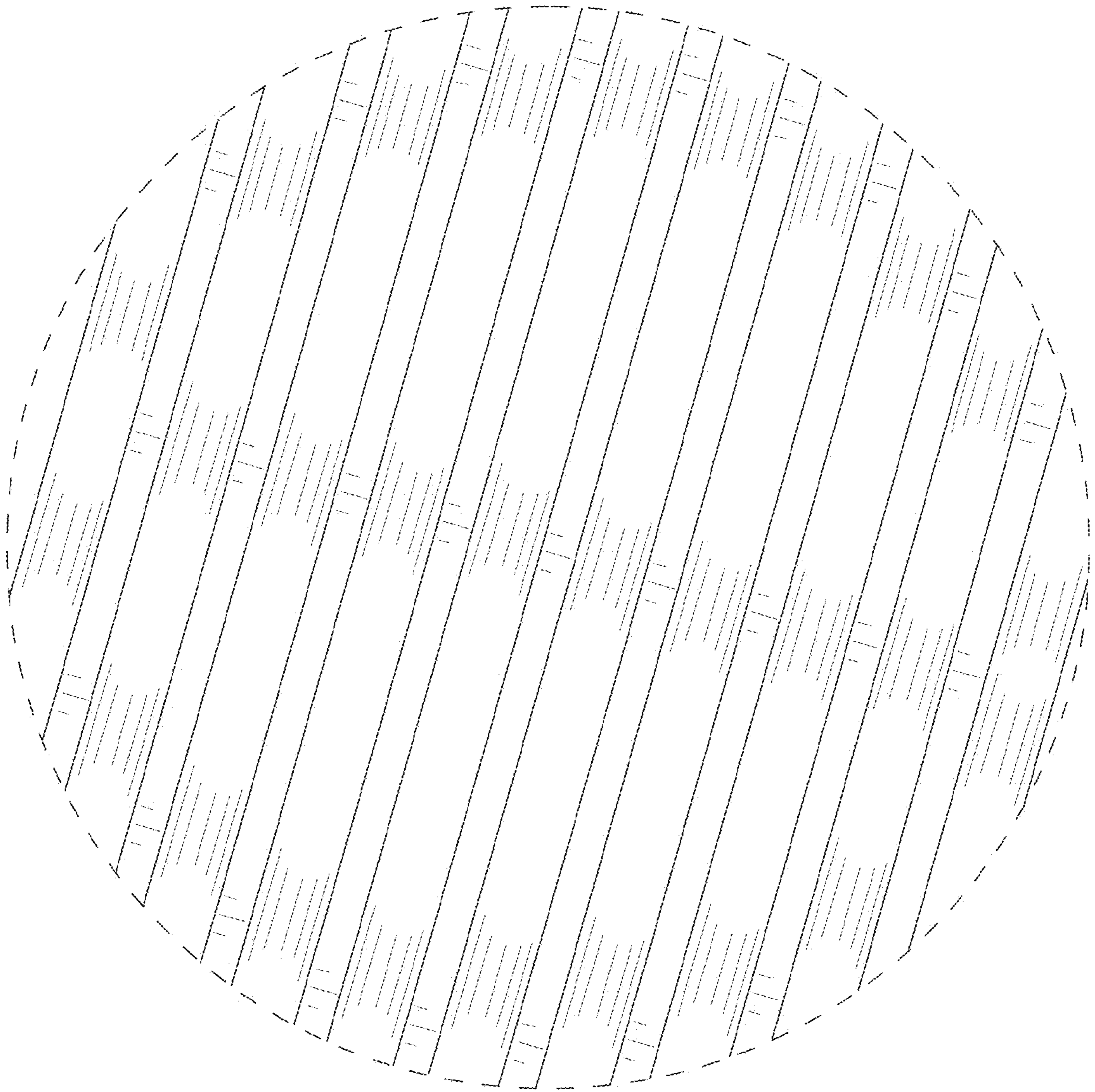


FIG. 9