



US00D954050S

(12) **United States Design Patent**
Spring et al.

(10) **Patent No.:** **US D954,050 S**
(45) **Date of Patent:** **** *Jun. 7, 2022**

(54) **WEARABLE DEVICE**

(71) Applicant: **ReliefBand Technologies, LLC**,
Horsham, PA (US)

(72) Inventors: **Nicholas Spring**, Jenkintown, PA (US);
Jacqueline Simon, New Hope, PA (US)

(73) Assignee: **ReliefBand Technologies, LLC**,
Horsham, PA (US)

(*) Notice: This patent is subject to a terminal disclaimer.

(**) Term: **15 Years**

(21) Appl. No.: **29/632,279**

(22) Filed: **Jan. 5, 2018**

(51) **LOC (13) Cl.** **14-02**

(52) **U.S. Cl.**
USPC **D14/344**

(58) **Field of Classification Search**

USPC .. D14/138 R, 144, 341, 344, 358, 388, 218;
D10/30-39, 70, 98; D11/3, 4, 26, 93-94,
D11/78.1, 79, 86; D24/167, 169,
D24/186-187, 164

CPC A41D 1/002; A41D 19/0034; G06F 1/04;
G06F 1/08; G06F 1/10; G06F 1/14; G06F
1/1626; G06F 1/1628; G06F 1/163; G06F
1/1635; G06F 1/3203; G06Q 20/10;
G06Q 20/12; G06Q 20/108; G06Q
20/145; H04B 1/3833; H04B 1/385;
H04B 1/3888; H04M 1/02; H04M 1/03;
H04M 1/04; H04M 1/05; H04M 1/667;
H04M 1/6058; Y02B 60/1217

See application file for complete search history.

(56) **References Cited**

U.S. PATENT DOCUMENTS

D456,724 S * 5/2002 Wilson D10/30
D460,430 S * 7/2002 Wada D10/31

D466,488 S * 12/2002 Wada D10/31
D513,997 S * 1/2006 Wilson D10/30
D548,112 S * 8/2007 Wunderman D10/32
D552,572 S * 10/2007 Kim D10/31
D727,194 S * 4/2015 Wilson D11/3
D747,714 S * 1/2016 Erbeus D10/32
D787,960 S * 5/2017 Park D10/39
D800,111 S * 10/2017 Rochat D14/344

(Continued)

OTHER PUBLICATIONS

Reliefband 2.0 Motion Sickness Wristband, posted as early as May 28, 2018, [retrieved Oct. 28, 2019], Retrieved from Internet, <URL: <https://www.amazon.com/Reliefband-Motion-Sickness-Band-Easy/dp/B07B84TZ6Z>>.*

(Continued)

Primary Examiner — Joseph Kukella

(74) *Attorney, Agent, or Firm* — Trontman Pepper
Hamilton Sanders LLP

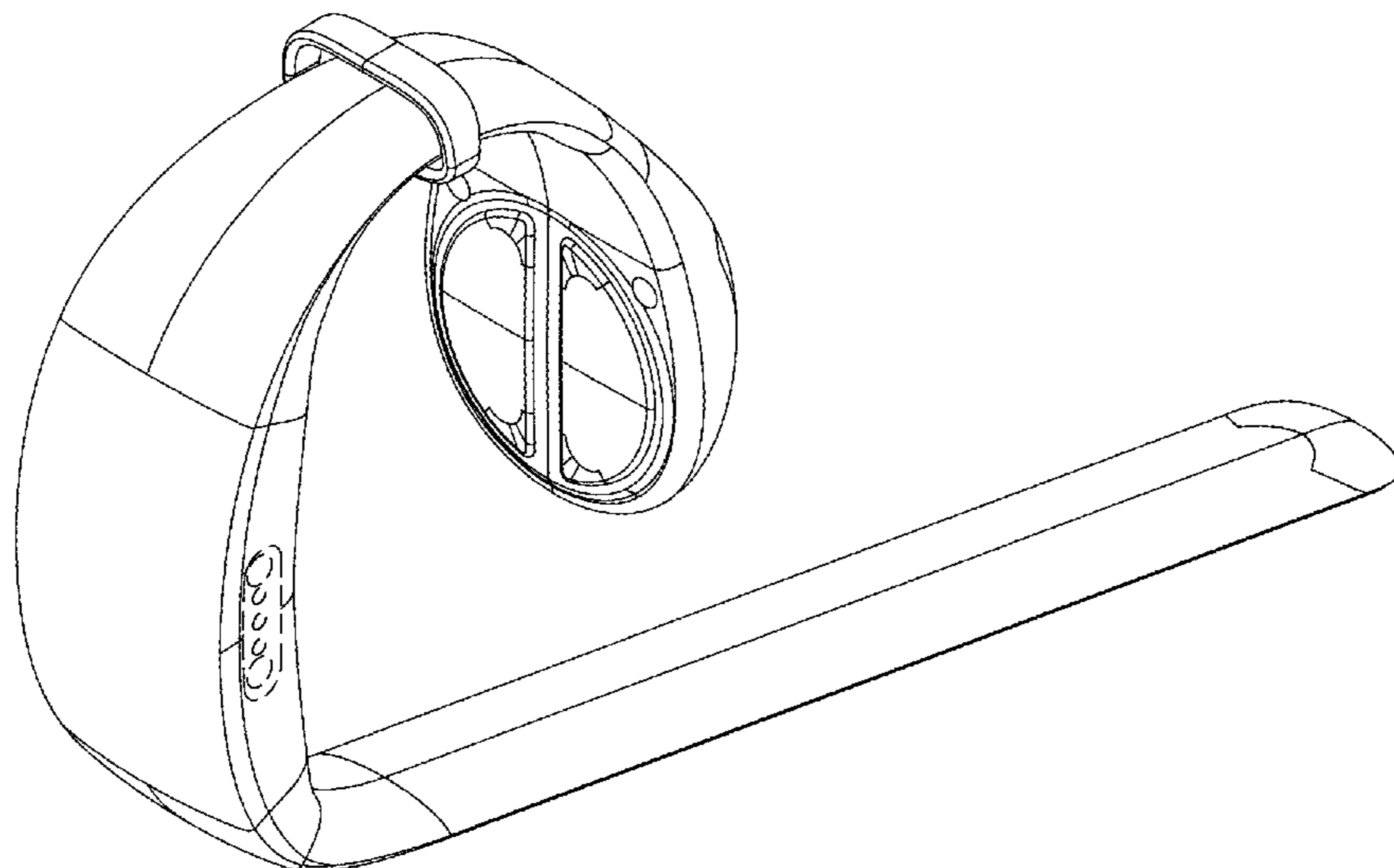
(57) **CLAIM**

The ornamental design for a wearable device, as shown and described.

DESCRIPTION

FIG. 1 is a front right perspective view of the wearable device;
FIG. 2 is a rear left perspective view of the wearable device;
FIG. 3 is a right side view of the wearable device;
FIG. 4 is a left side view of the wearable device;
FIG. 5 is a front view of the wearable device;
FIG. 6 is a rear view of the wearable device;
FIG. 7 is a top view of the wearable device; and,
FIG. 8 is a bottom view of the wearable device.
In the drawings, the broken lines depict portions of the article that form no part of the claimed design.

1 Claim, 8 Drawing Sheets



(56)

References Cited

U.S. PATENT DOCUMENTS

D801,331 S * 10/2017 Bosveld D14/344
9,787,676 B2 * 10/2017 Wang A61B 5/021
D810,478 S * 2/2018 Akana D6/682
D881,876 S * 4/2020 Xiao D14/344
D903,663 S * 12/2020 Jones D14/344
D910,618 S * 2/2021 Kozlovskaya D14/344
D911,330 S * 2/2021 Kozlovskaya D14/344
D917,471 S * 4/2021 Yan D14/344
D920,327 S * 5/2021 Wu D14/344
D920,328 S * 5/2021 Wu D14/344
D926,756 S * 8/2021 Yi D14/344
D927,999 S * 8/2021 Paschke D10/70
D931,852 S * 9/2021 Zheng D14/344
D933,649 S * 10/2021 Yu D14/344

OTHER PUBLICATIONS

Reliefband 2.0: Kill Your Nausea Before It Kills You, posted Jan. 26, 2018, [retrieved Oct. 28, 2019], Retrieved from Internet, <URL: <https://geardiary.com/2018/01/26/reliefband-2-0-kill-nausea/> >.*

Barf Alert: Tackling My Motion Sickness With Reliefband, posted Mar. 21, 2017, [retrieved Oct. 28, 2019], Retrieved from Internet, <URL: <https://www.pcmag.com/article/352447/barf-alert-tackling-my-motion-sickness-with-reliefband> >.*

* cited by examiner

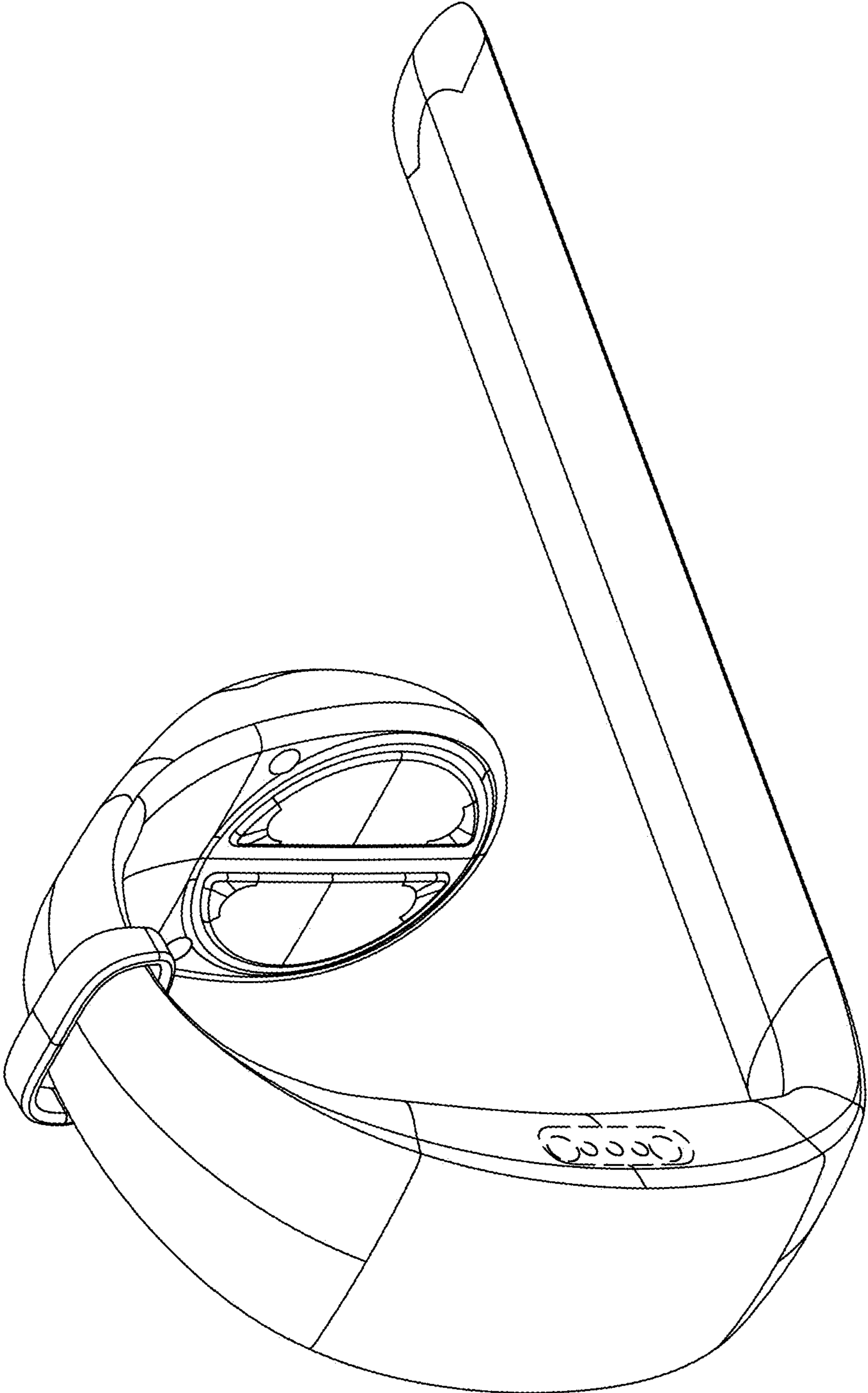


FIG. 1

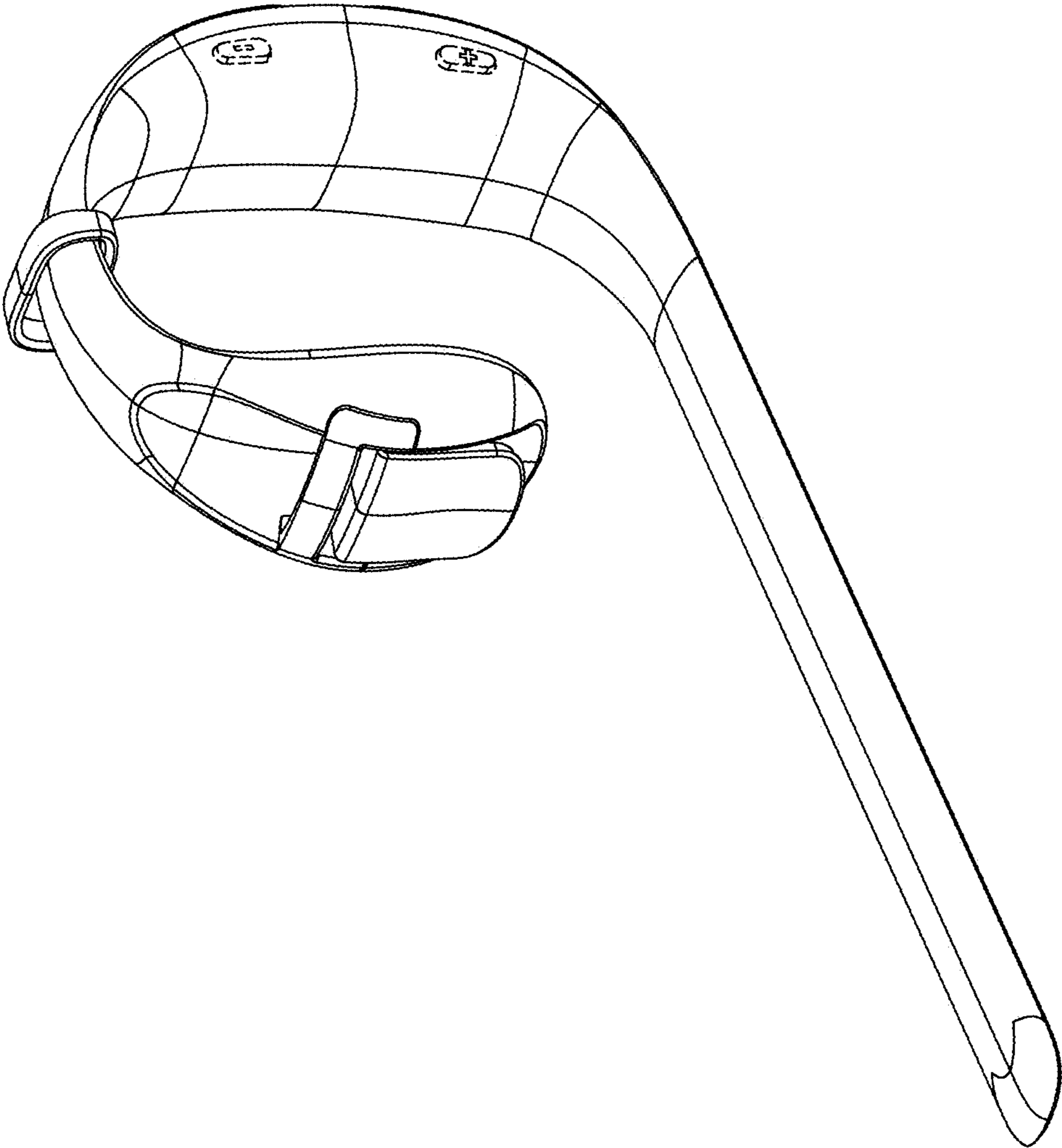


FIG. 2

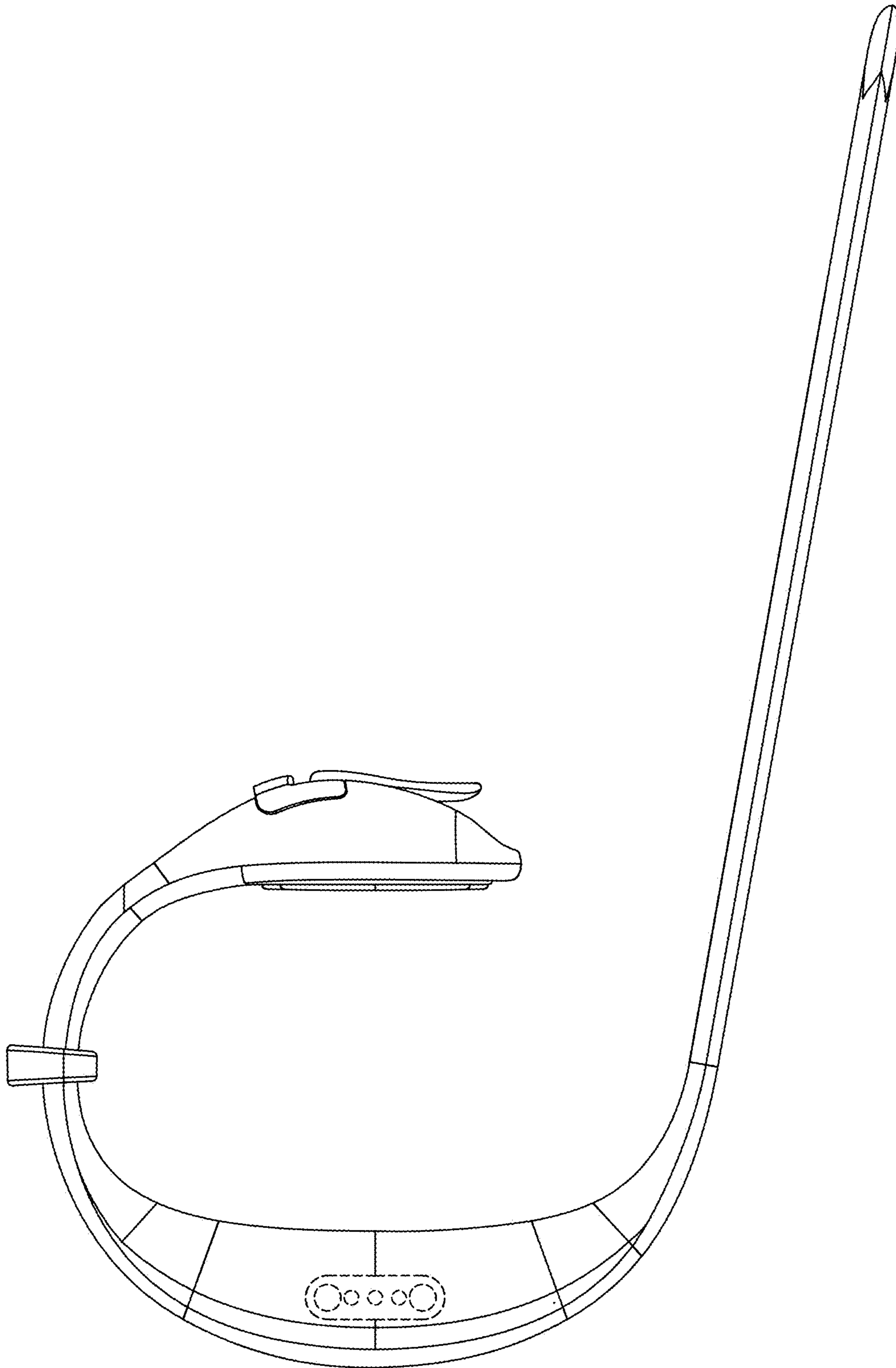


FIG. 3

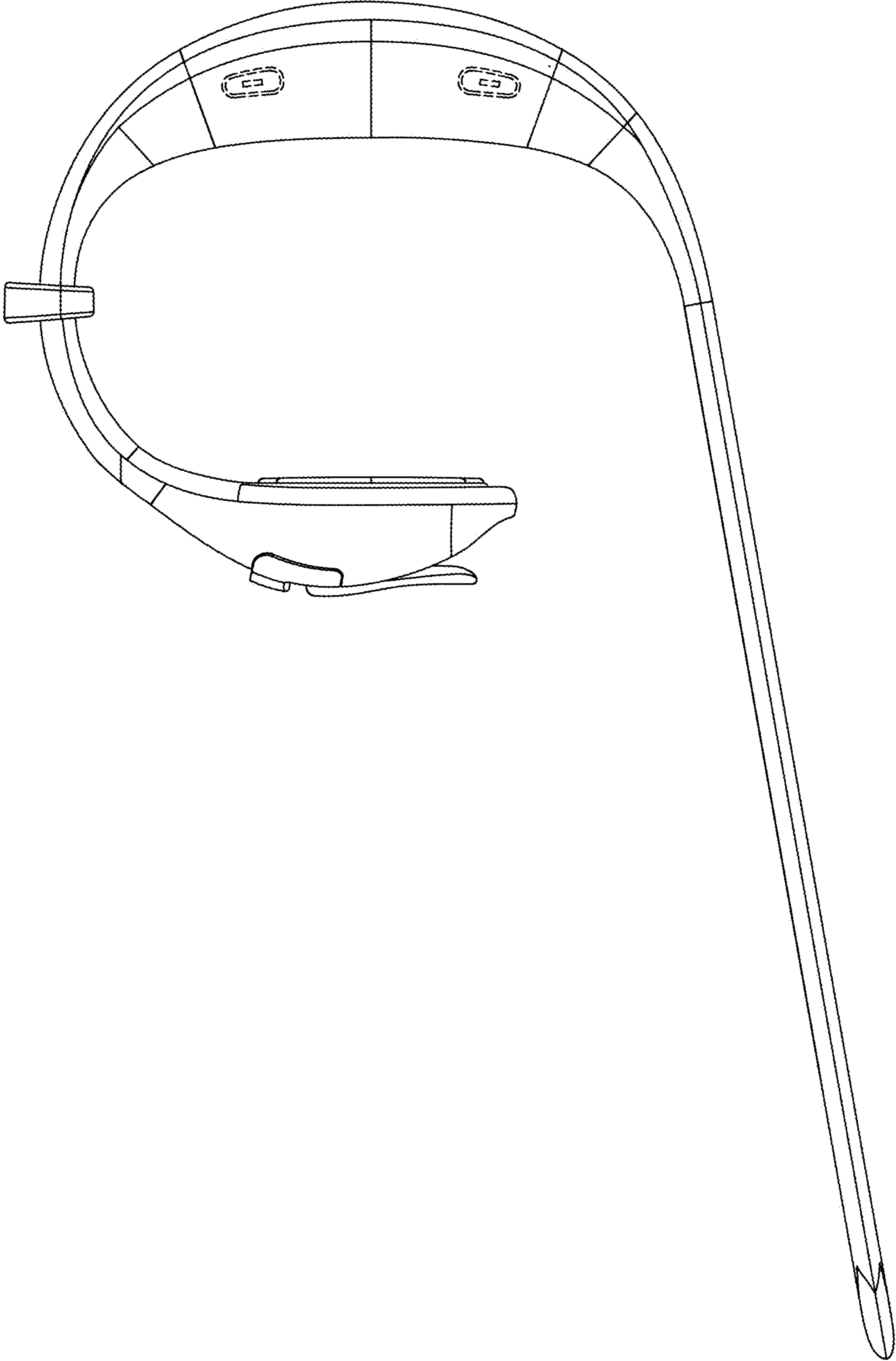


FIG. 4

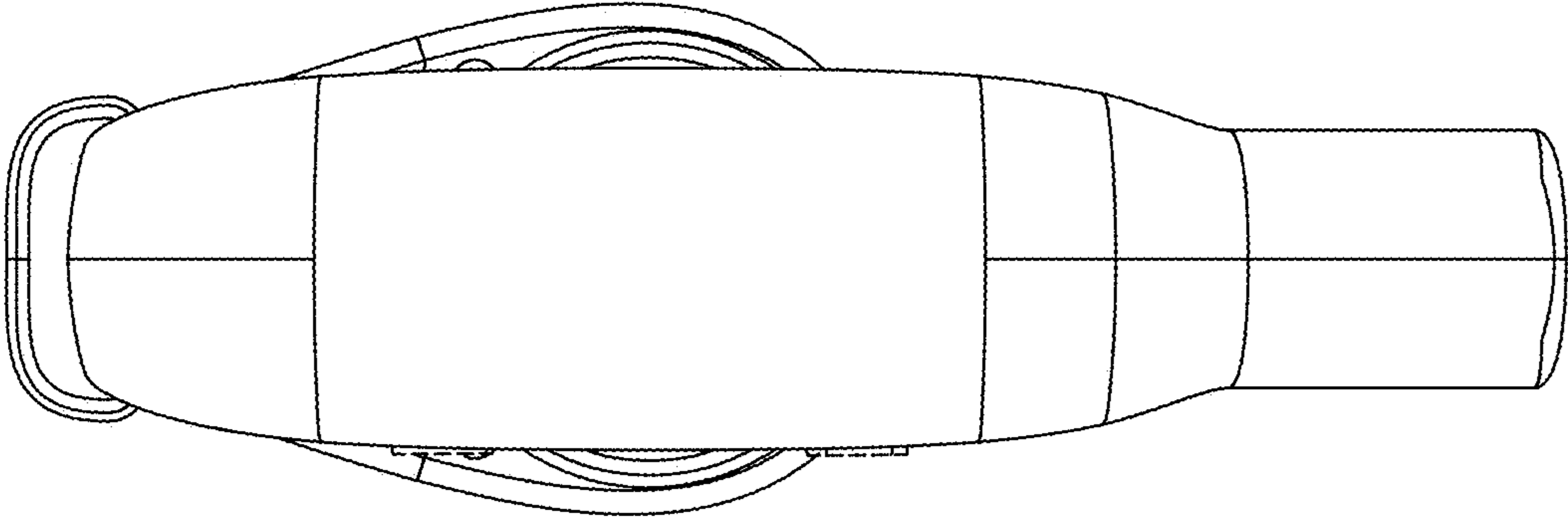


FIG. 5

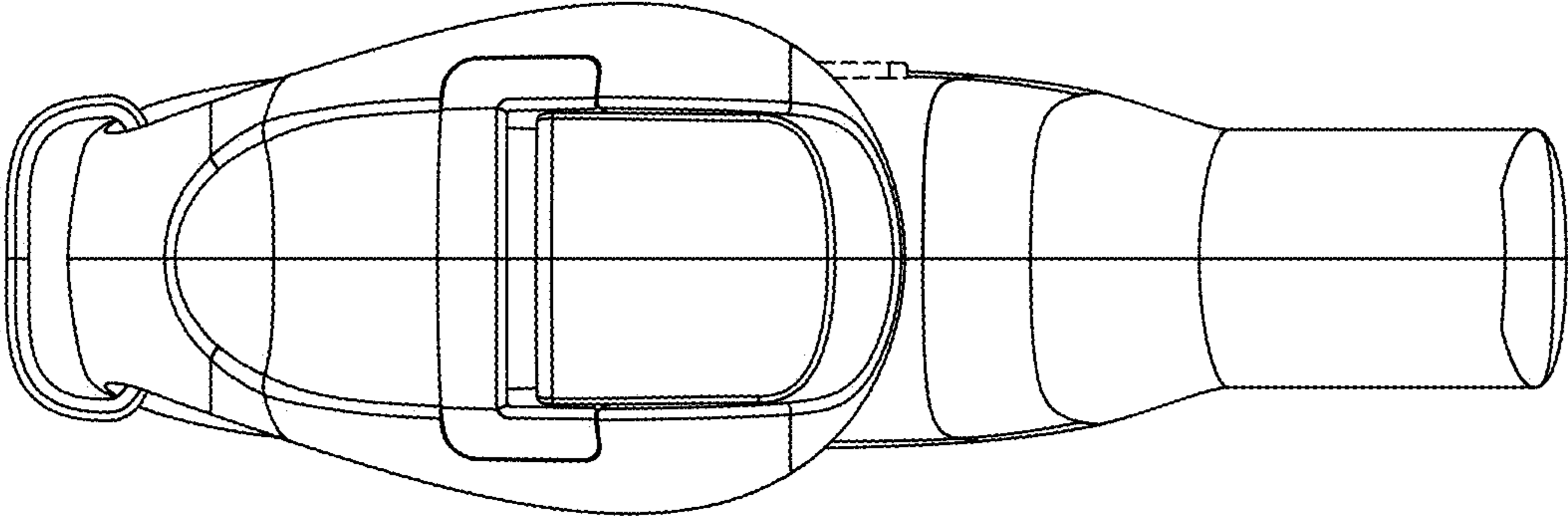


FIG. 6

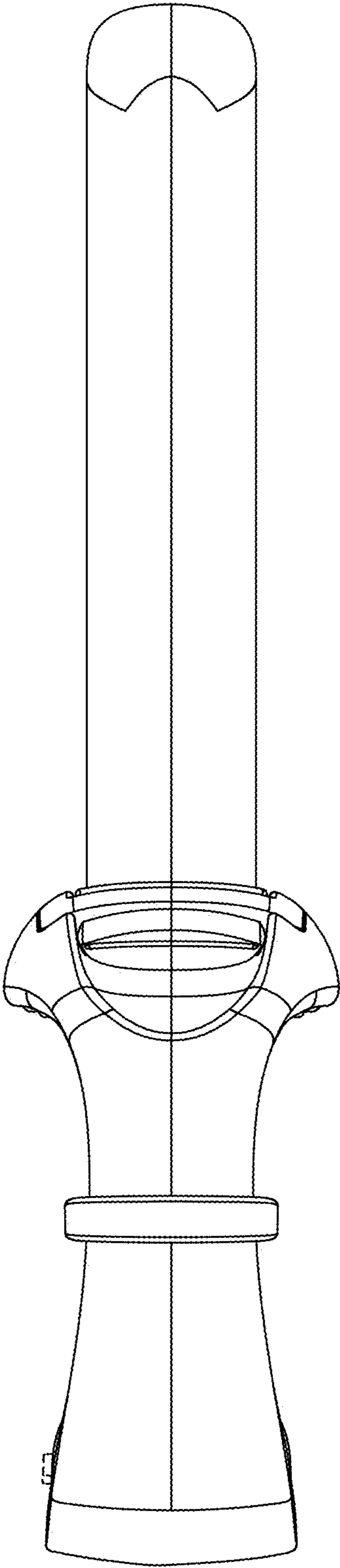


FIG. 7

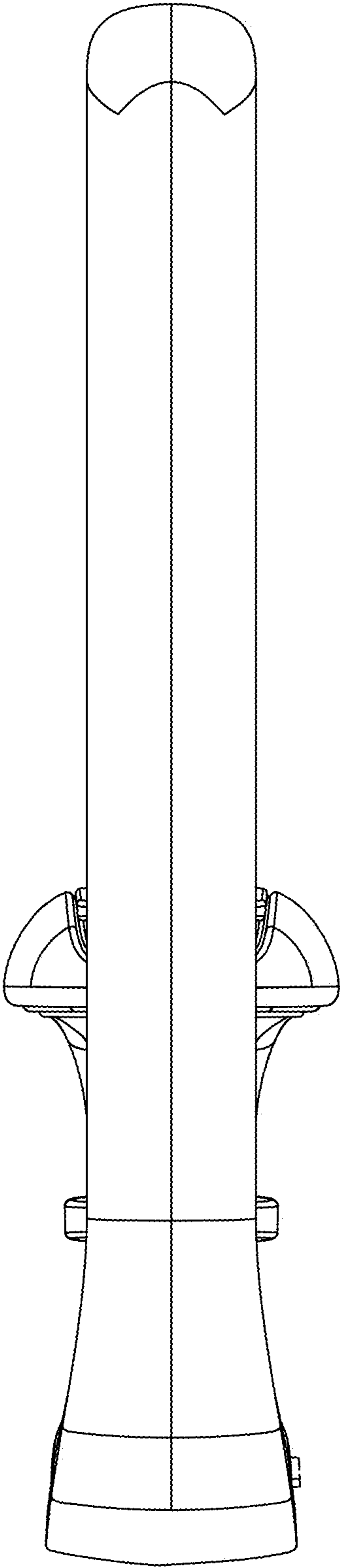


FIG. 8