



US00D954048S

(12) **United States Design Patent** (10) **Patent No.:** **US D954,048 S**
DeMaio (45) **Date of Patent:** **** Jun. 7, 2022**

(54) **CONNECTIBLE SMARTPHONE**

(56) **References Cited**

(71) Applicant: **Robert Charles DeMaio**, Incline Village, NV (US)

U.S. PATENT DOCUMENTS

(72) Inventor: **Robert Charles DeMaio**, Incline Village, NV (US)

| | | | | | | |
|------------|----|---|---------|----------|-------|-------------|
| D499,095 | S | * | 11/2004 | Balarezo | | D14/345 |
| D680,531 | S | * | 4/2013 | Honda | | D14/345 |
| D741,856 | S | * | 10/2015 | Yamazaki | | D14/345 |
| D760,219 | S | * | 6/2016 | Yamazaki | | D14/341 |
| 10,831,244 | B1 | * | 11/2020 | DeMaio | | G06F 1/1656 |
| D934,855 | S | * | 11/2021 | Hallar | | D14/315 |

(**) Term: **15 Years**

(Continued)

(21) Appl. No.: **29/788,981**

(22) Filed: **Aug. 23, 2021**

OTHER PUBLICATIONS

Related U.S. Application Data

Microsoft Surface Duo, first available 2020, bestbuy.com, [online], [site visited Dec. 15, 2021], Available from internet URL: <https://www.bestbuy.com/site/microsoft-surface-duo-128gb-unlocked-glacier/6419335.p?skuId=6419335&contractId=unactivated&ref=212&loc=1&glid%E2%80%A6> (Year: 2020).*

(62) Division of application No. 29/769,530, filed on Feb. 5, 2021, now Pat. No. Des. 928,778, which is a division of application No. 29/706,209, filed on Sep. 18, 2019, now Pat. No. Des. 918,898.

(Continued)

(51) **LOC (13) Cl.** **14-02**

Primary Examiner — Samantha Q Lawrence

(52) **U.S. Cl.**

Assistant Examiner — Holly M Rodriguez

USPC **D14/341**; D14/138 AB

(74) *Attorney, Agent, or Firm* — Tatonetti IP

(58) **Field of Classification Search**

(57) **CLAIM**

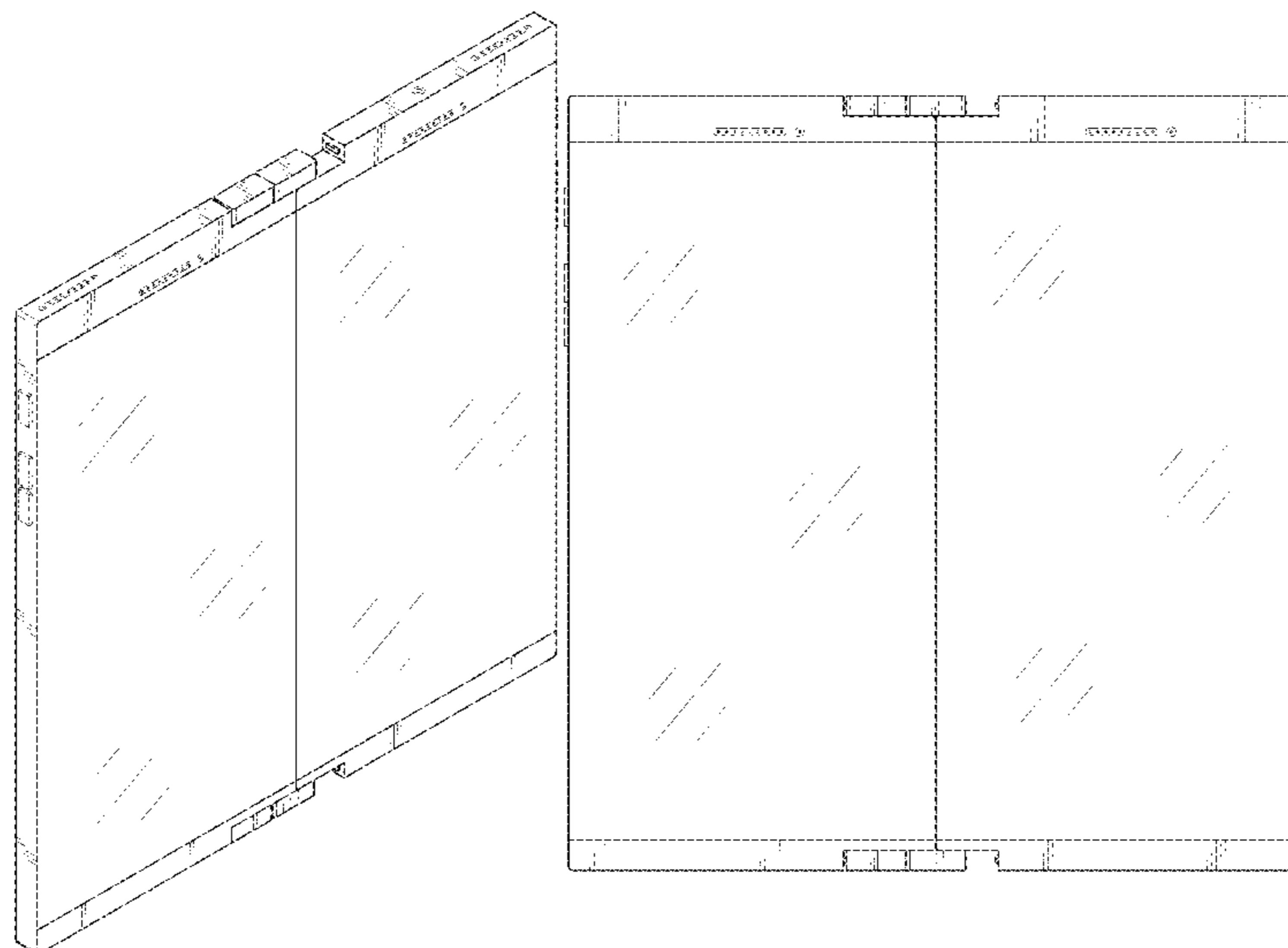
USPC D14/341, 315–318, 371, 374, 388–389, D14/138 G, 138 R, 138 AD, 138 C, D14/138 AA, 496, 203, 129–130, 137, D14/138 AB, 138 AC, 147, 155, 168, D14/203.1–203.8, 218, 240, 247–248, D14/299, 342–347, 356–358, 400–401, D14/420–421, 426, 429, 432, 453–454; D21/330, 324, 329, 332; D13/103; D10/104.1, 50, 65; D18/6–7; D19/25; D20/11, 22; D3/212, 247; D6/308, 310
CPC G06F 1/1613; G06F 1/1626; G06F 3/0488; G06F 3/041; G06F 3/0412; G06F 3/0416; G06F 3/04886; G06F 1/1616; G06F 1/1643; G06F 1/1647; G06F 1/1652; G06Q 10/10; G09F 9/301; H04M 1/0202; H04M 1/0266; H04M 1/725; H04M 1/0268; H04M 1/0235; A61B 2560/0271; A61B 2560/0431; H01R 24/68
See application file for complete search history.

The ornamental design for connectible smartphone, as shown and described.

DESCRIPTION

FIG. 1 is a front, left, top perspective view of connectible smartphone, showing my new design; FIG. 2 is a front elevation view thereof; FIG. 3 is a rear elevation view thereof; FIG. 4 is a left elevation view thereof; FIG. 5 is a right elevation view thereof; FIG. 6 is a top plan view thereof; and, FIG. 7 is a bottom plan view thereof. The broken lines illustrate portions of the connectible smartphone that form no part of the claimed design.

1 Claim, 6 Drawing Sheets



(56)

References Cited

U.S. PATENT DOCUMENTS

2010/0259494 A1* 10/2010 Kii G06F 3/0416
345/173
2012/0299813 A1* 11/2012 Kang G06F 3/0485
345/156
2012/0306782 A1* 12/2012 Seo G06F 1/1647
345/173
2015/0277496 A1* 10/2015 Reeves G06F 3/1438
345/1.2
2017/0357294 A1* 12/2017 Siddiqui G06F 1/1647
2017/0357473 A1* 12/2017 Kim G06F 3/04883
2019/0032380 A1* 1/2019 Wu E05D 3/02
2019/0075669 A1* 3/2019 Heng G06F 1/1681
2019/0341006 A1* 11/2019 Mori G06F 1/1641
2019/0387084 A1* 12/2019 Lee H04R 3/00
2020/0137207 A1* 4/2020 Cao H04M 1/725
2020/0175897 A1* 6/2020 Choi G09F 9/301
2021/0011527 A1* 1/2021 Alva G06F 1/1647
2021/0263560 A1* 8/2021 Tsuchihashi G06F 3/0202
2021/0357001 A1* 11/2021 DeMaio G06F 1/1681

OTHER PUBLICATIONS

The Light Phone II Minimalistic Cell Phone | Gray, sportique.com,
[online], [site visited Dec. 15, 2021], Available from internet URL:
[https://www.sportique.com/products/the-light-phone-gray?currency=](https://www.sportique.com/products/the-light-phone-gray?currency=USD&variant=31426984411159)
USD&variant=31426984411159 (Year: 2021).*

* cited by examiner

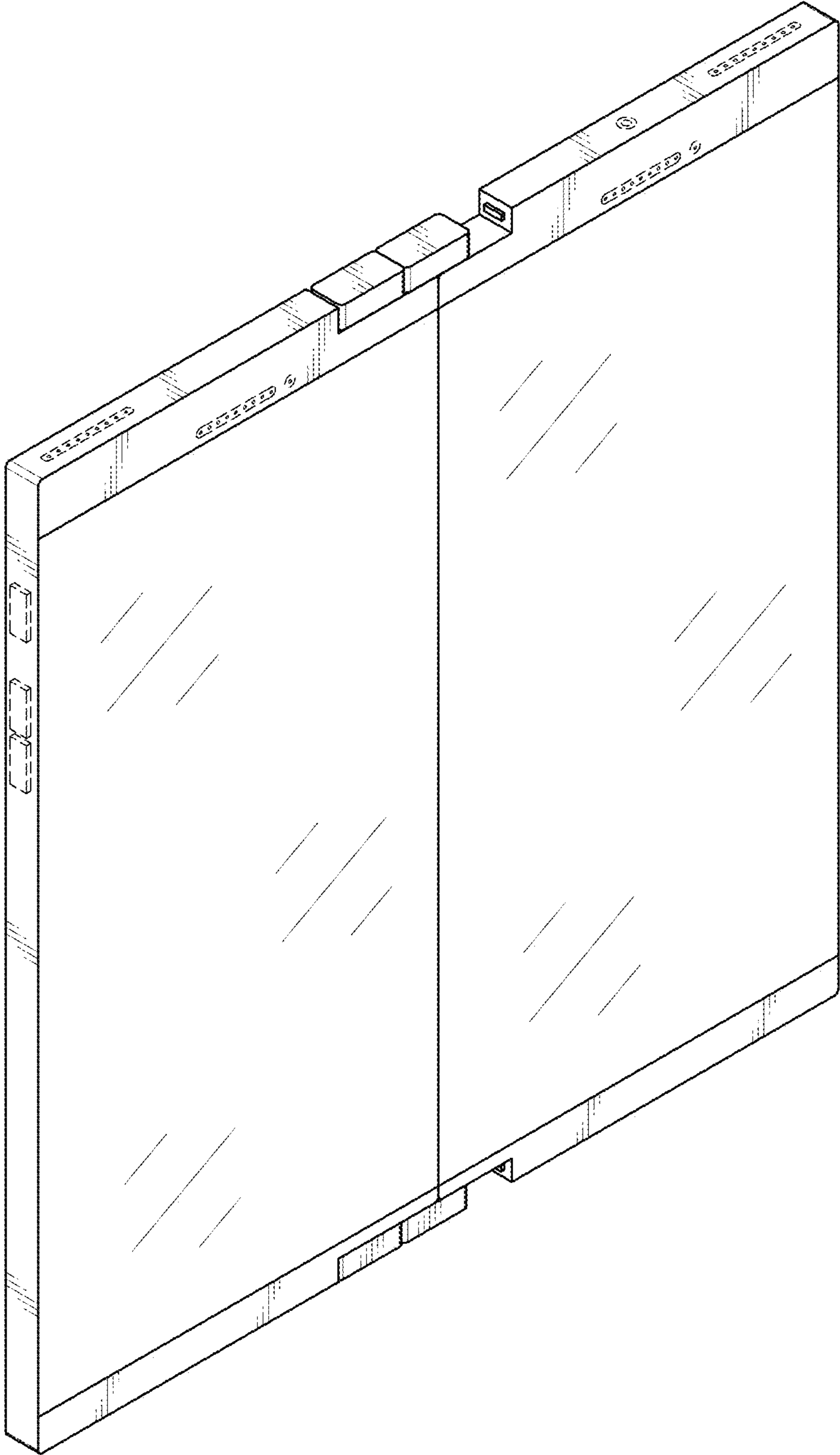


FIG. 1

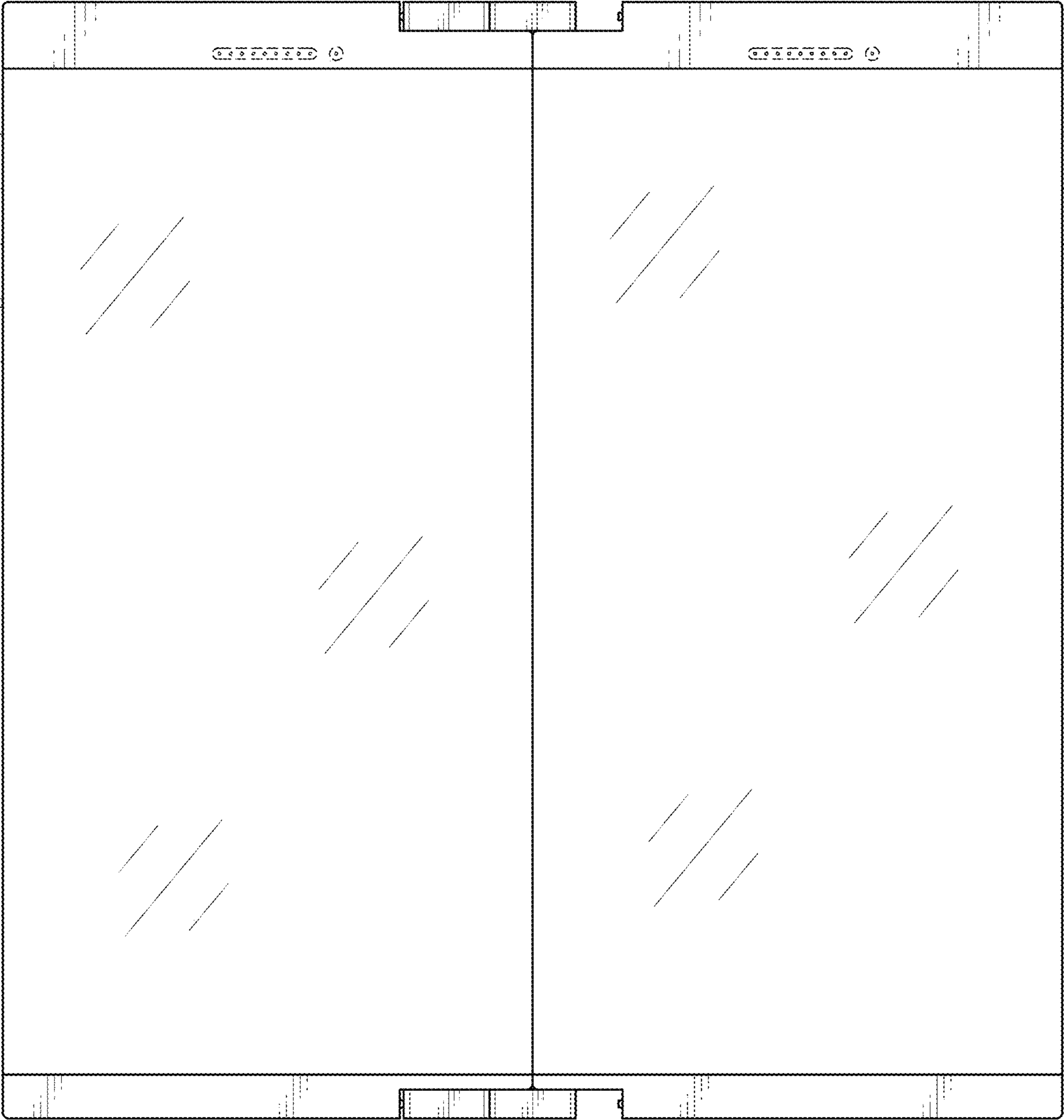


FIG. 2

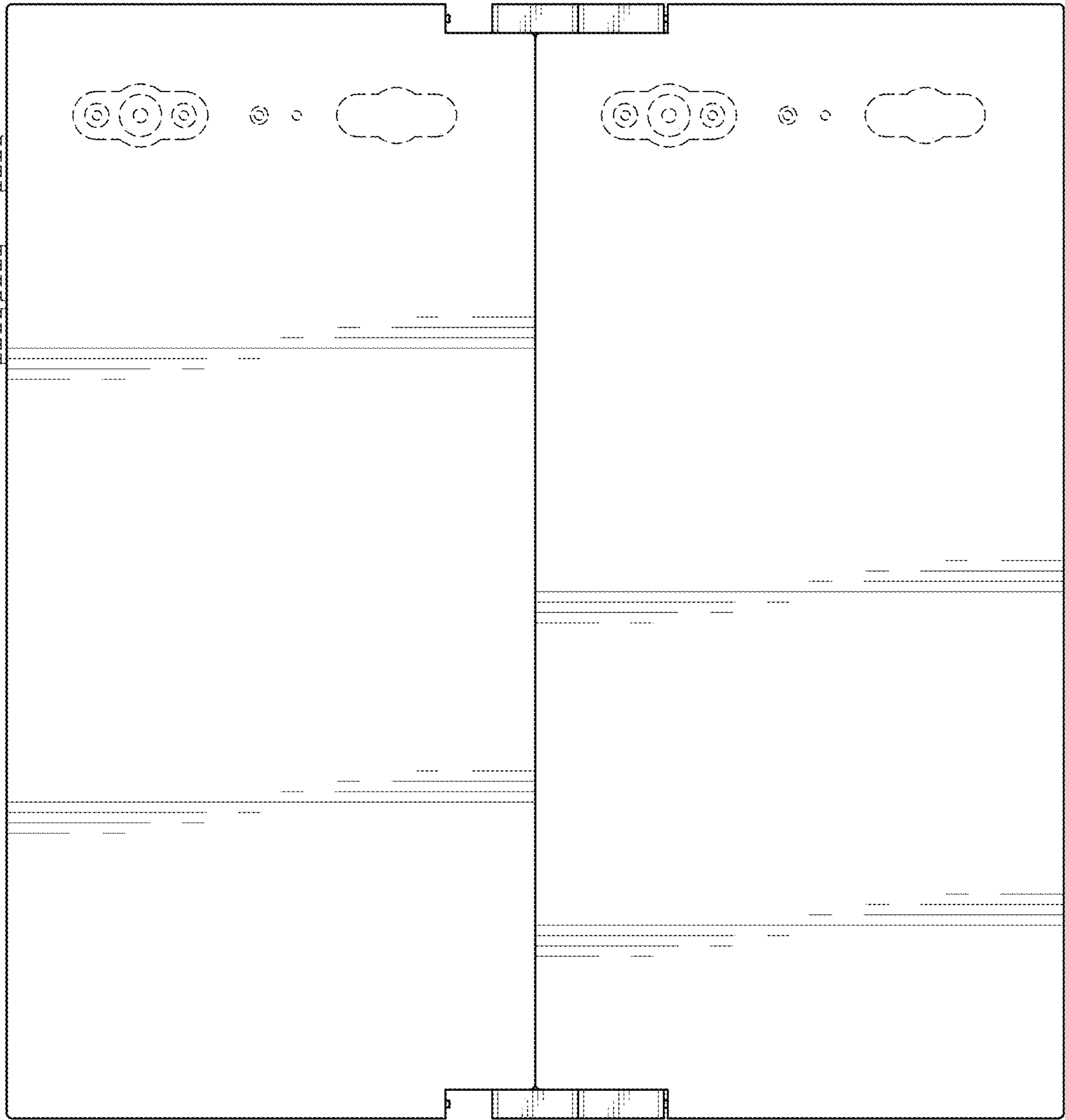


FIG. 3



FIG. 4



FIG. 5



FIG. 6

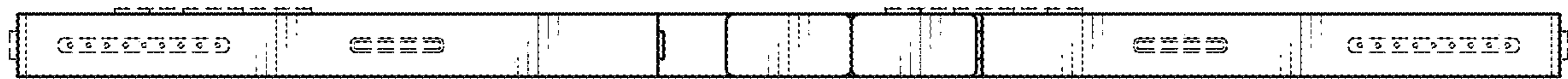


FIG. 7