



US00D954046S

(12) **United States Design Patent** (10) **Patent No.:** **US D954,046 S**
Boucard et al. (45) **Date of Patent:** **** Jun. 7, 2022**

(54) **BADGE**

(71) Applicant: **Tesseract Ventures, LLC**, Overland Park, KS (US)
(72) Inventors: **John Boucard**, Overland Park, KS (US); **Jason Harrell**, Overland Park, KS (US); **David Starr**, Leawood, KS (US); **Jeffrey Chiu**, Chicago, IL (US)
(73) Assignee: **Tesseract Ventures, LLC**, Overland Park, KS (US)

(**) Term: **15 Years**

(21) Appl. No.: **29/736,382**

(22) Filed: **May 29, 2020**

(51) **LOC (13) Cl.** **14-02**

(52) **U.S. Cl.**
USPC **D14/341**; D20/27

(58) **Field of Classification Search**
USPC D14/341, 315-318, 371, 374, 388-389, D14/138 G, 138 R, 138 AD, 138 C, D14/138 AA, 496, 203, 129-130, 137, D14/138 AB, 138 AC, 147, 155, 168, D14/203.1-203.8, 218, 240, 247-248, D14/299, 342-347, 356-358, 400-401, D14/420-421, 426, 429, 432, 453-454; D21/330, 324, 329, 332; D13/103; D10/104.1, 50, 65; D18/6-7; D19/25; D20/11, 22, 27; D3/212, 247; D6/308, D6/310

CPC G06F 1/1613; G06F 1/1626; G06F 3/0488; G06F 3/041; G06F 3/0412; G06F 3/0416; G06F 3/04886; G06F 1/1616; G06F 1/1643; G06F 1/1647; G06F 1/1652; G06Q 10/10; G09F 9/301; H04M 1/0202; H04M 1/0266; H04M 1/725; H04M 1/0268; H04M 1/0235; A61B 2560/0271; A61B 2560/0431; H01R 24/68

See application file for complete search history.

(56) **References Cited**

U.S. PATENT DOCUMENTS

D256,028 S * 7/1980 Lawrence D18/7
D433,007 S * 10/2000 Boucard D14/160
D494,166 S * 8/2004 Kumagai D14/345
D600,457 S * 9/2009 Ji D14/371
D675,204 S * 1/2013 Hofer D14/341
D720,346 S * 12/2014 Davis D14/341
D744,482 S * 12/2015 Davis D14/341
D814,785 S * 4/2018 Wang D3/227
D825,553 S * 8/2018 Nagai D14/315

(Continued)

OTHER PUBLICATIONS

Prism, tesseractventures.io, [online], [site visited Jan. 11, 2022], Available from internet URL: https://tesseractventures.io/ts_products/prism/ (Year: 2022).*

(Continued)

Primary Examiner — Samantha Q Lawrence
Assistant Examiner — Holly M Rodriguez
(74) *Attorney, Agent, or Firm* — Polsinelli PC

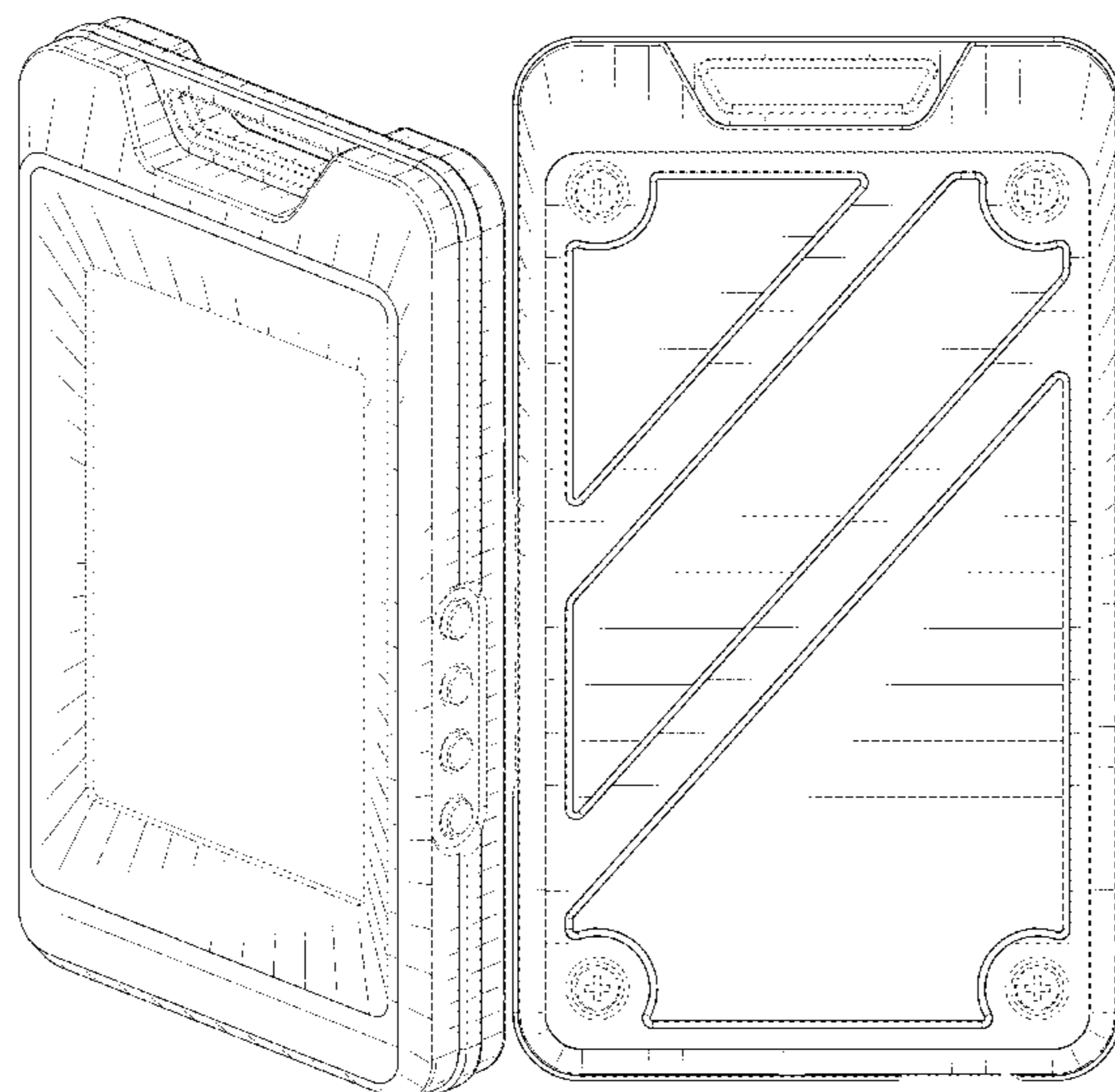
(57) **CLAIM**

We claim the ornamental design for a badge, as shown and described.

DESCRIPTION

FIG. 1 is a perspective view of a badge, showing our new design;
FIG. 2 is a front elevational view thereof;
FIG. 3 is a rear elevational view thereof;
FIG. 4 is a left side elevational view thereof;
FIG. 5 is a right side elevational view thereof;
FIG. 6 is a top plan view thereof; and,
FIG. 7 is a bottom plan view thereof.
The broken lines illustrate portions of the badge that forms no part of the claimed design.

1 Claim, 5 Drawing Sheets



(56)

References Cited

U.S. PATENT DOCUMENTS

D866,177 S * 11/2019 Leh D3/247
D917,473 S * 4/2021 Niizawa D14/348
D927,489 S * 8/2021 Xu D14/426
D931,275 S * 9/2021 Huff D14/341
D934,237 S * 10/2021 Yoshida D14/341

OTHER PUBLICATIONS

Keyshot 10 and Tesseract Ventures AR demos, first available Dec. 7, 2020, youtube.com, [online], [site visited Jan. 11, 2022], Available from internet URL: <https://www.youtube.com/watch?v=O337FKNaxcY> (Year: 2020).*

Smart Display Badge Reference Design, first available Apr. 1, 2021, eetimes.eu, [online], [site visited Jan. 11, 2022], Available from internet URL: <https://www.eetimes.eu/smart-display-badge-reference-design/> (Year: 2021).*

Gizmos & Gadgets: Badges, Badges, We Don't Need No Stinking Badges!, first available Dec. 5, 2013, 21stcentech.com, [online], [site visited Jan. 11, 2022], Available from internet URL: <https://www.21stcentech.com/gizmos-gadgets-badges-badges-stinking-badges/> (Year: 2013).*

* cited by examiner

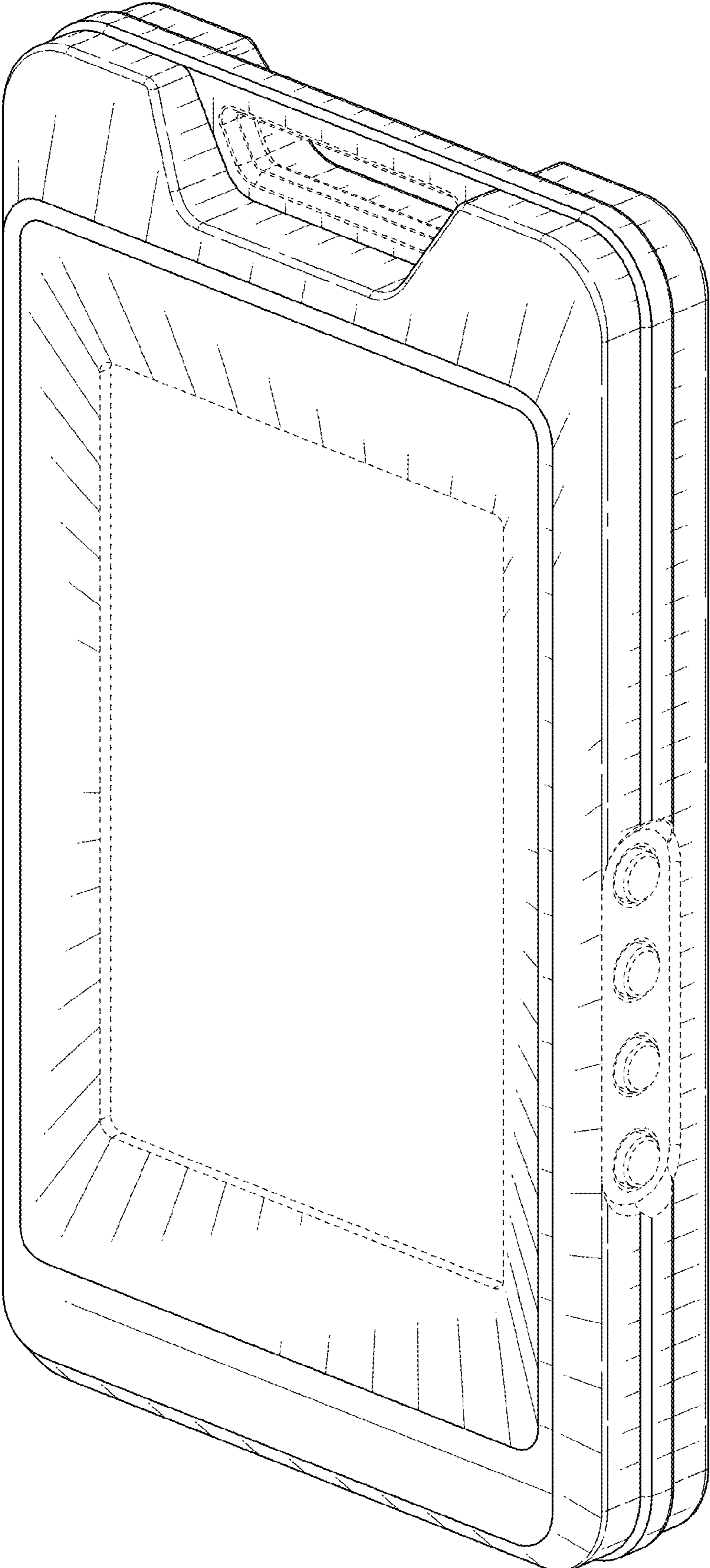


FIG. 1

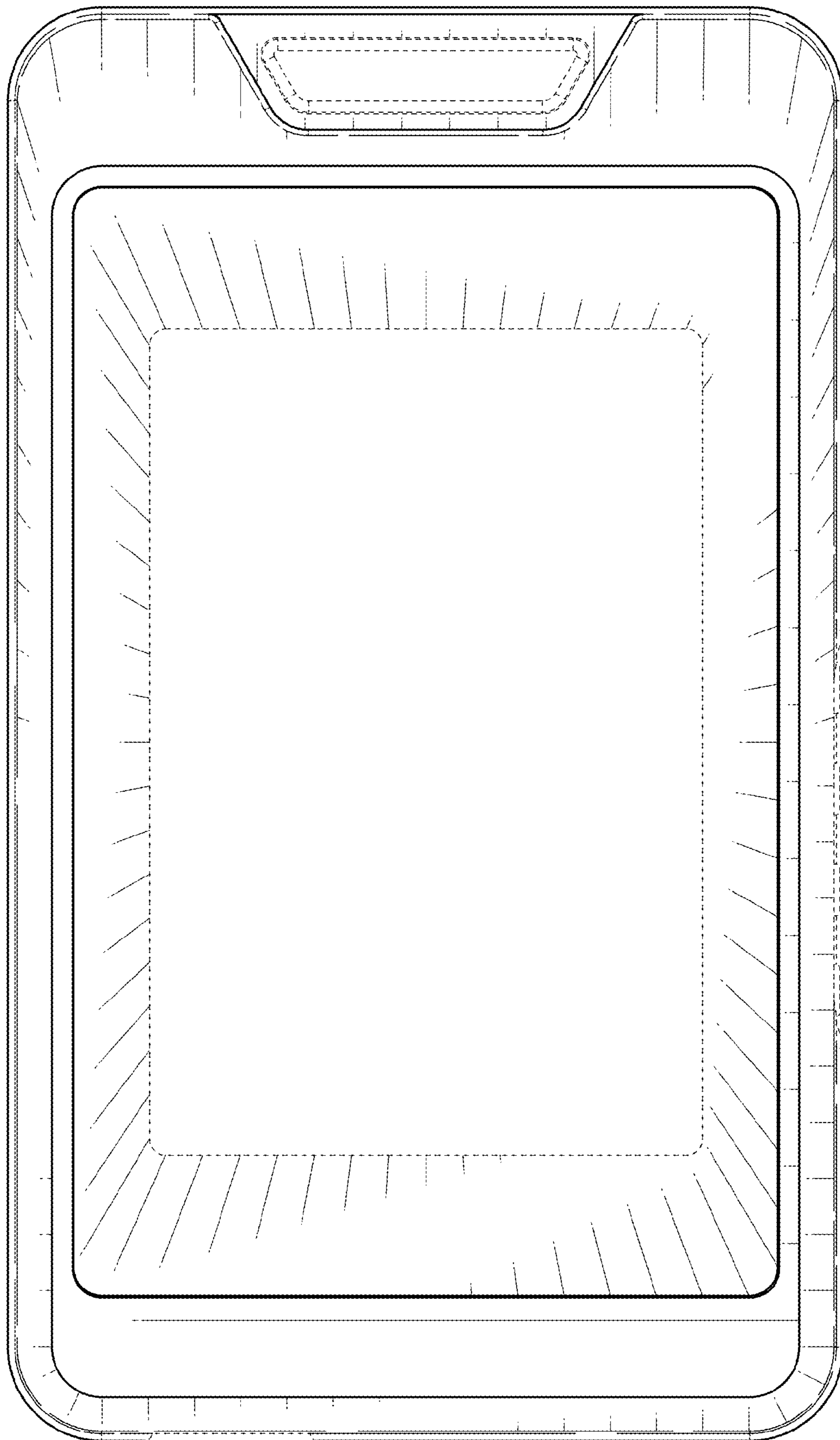


FIG. 2

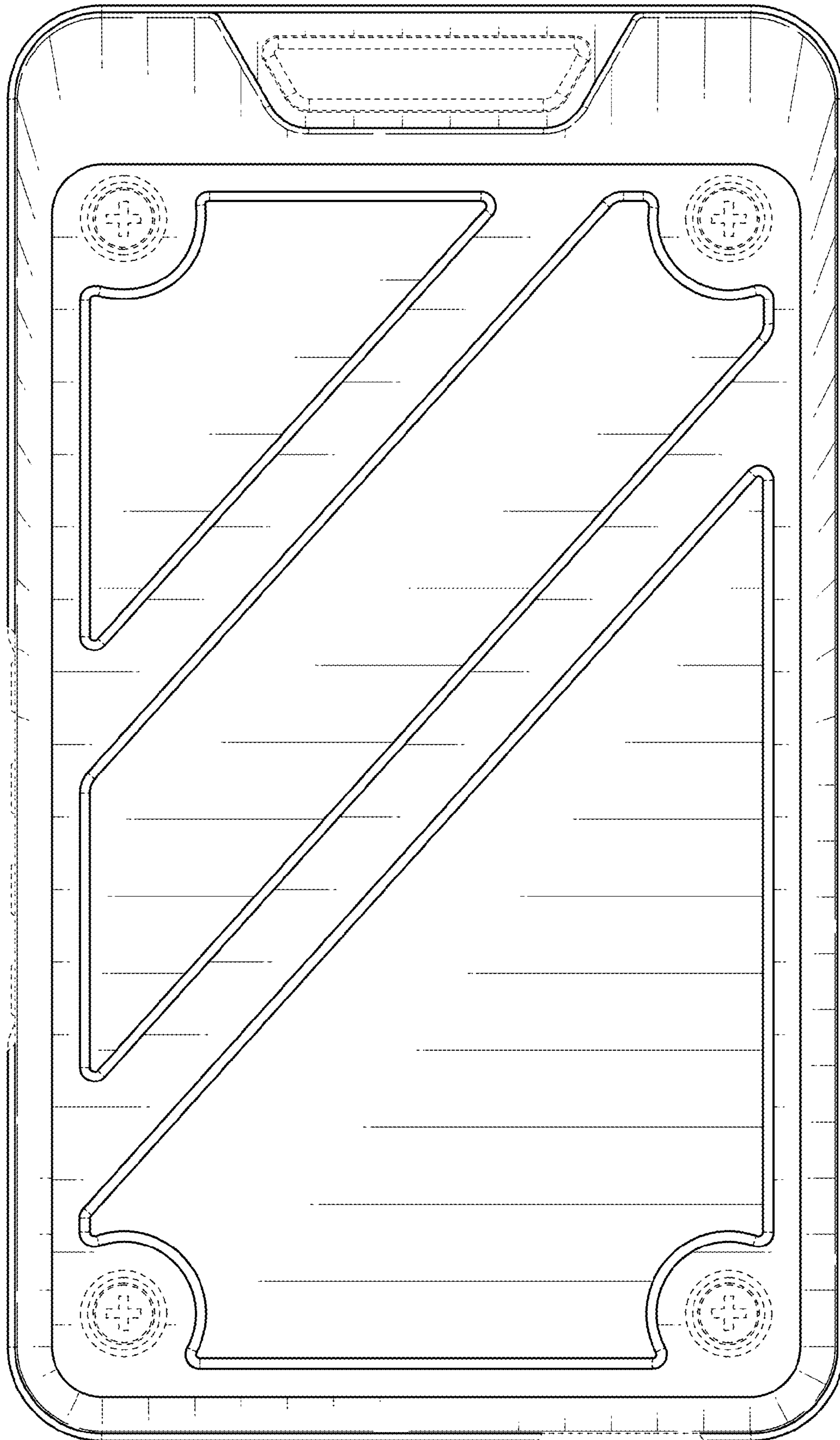


FIG. 3

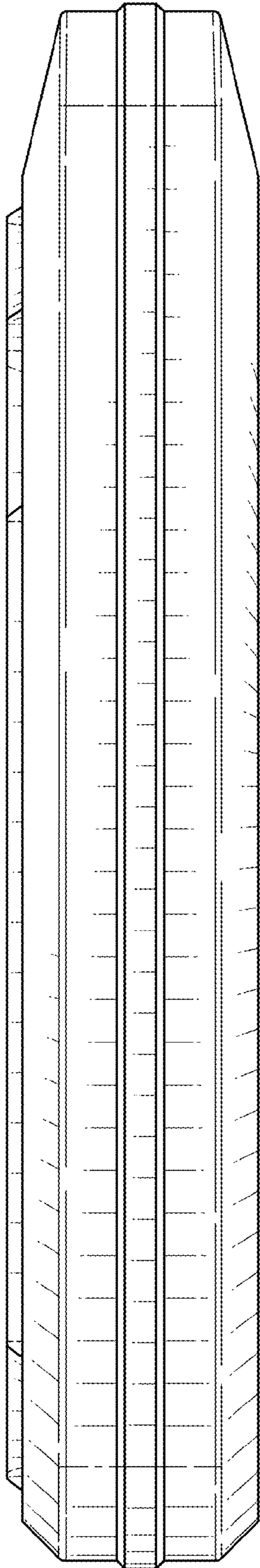


FIG. 4

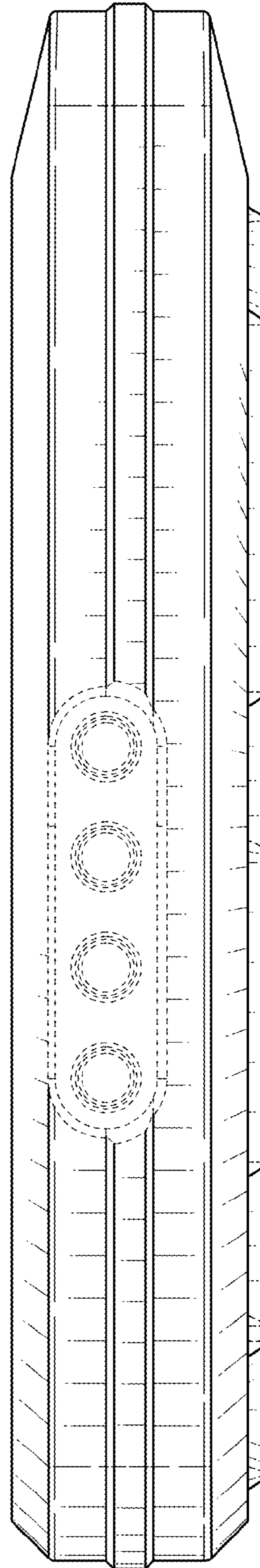


FIG. 5

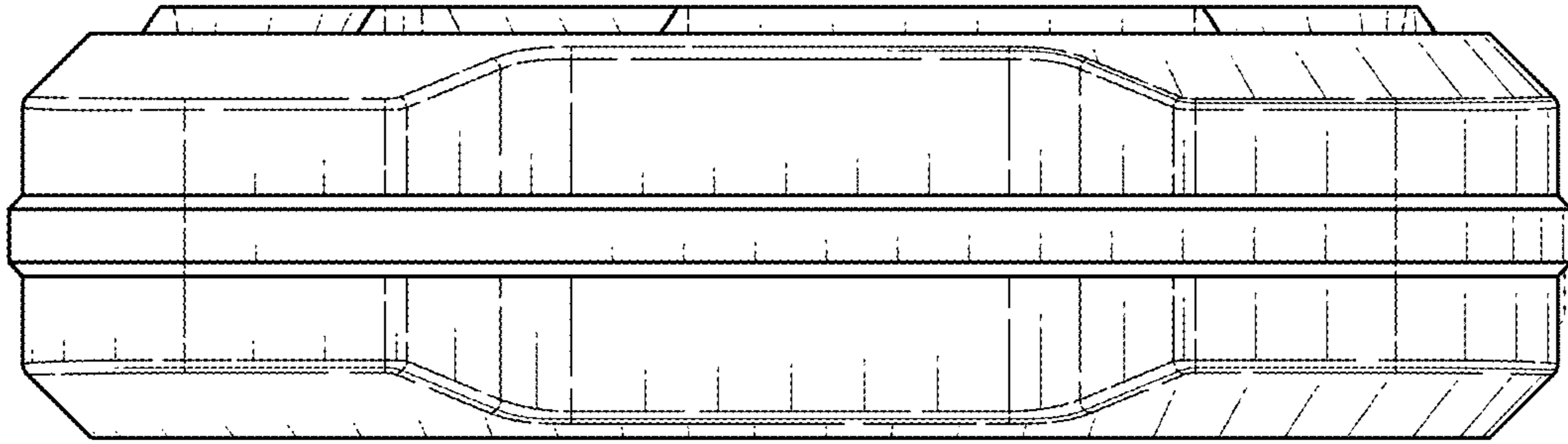


FIG. 6

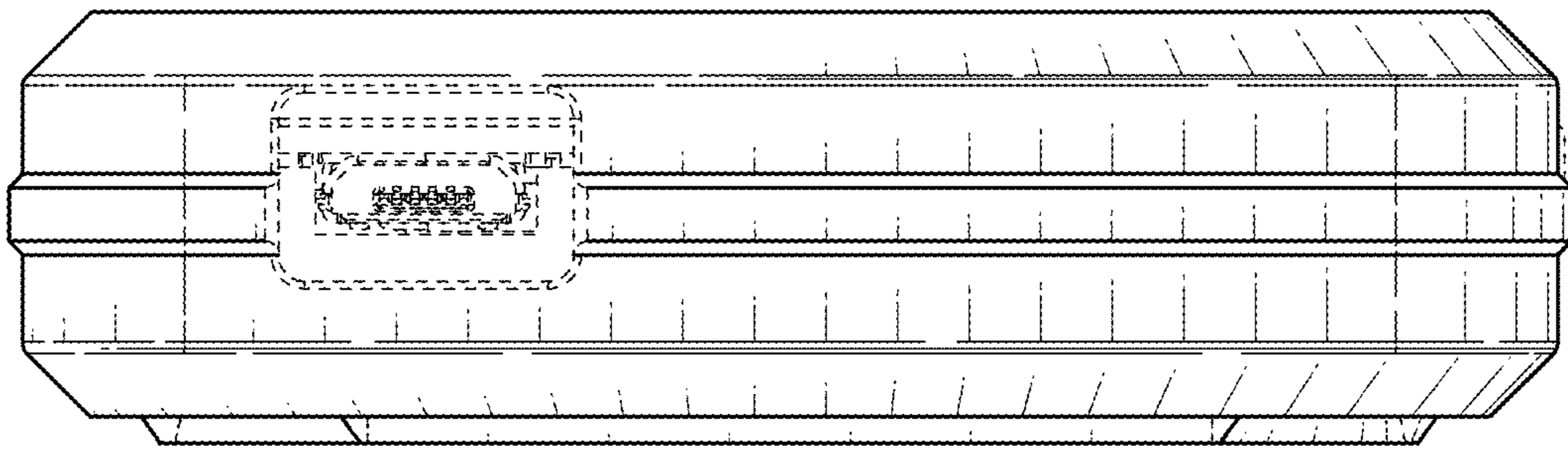


FIG. 7