



US00D954043S

(12) **United States Design Patent**  
**Kwon**

(10) **Patent No.:** **US D954,043 S**  
(45) **Date of Patent:** **\*\* Jun. 7, 2022**

(54) **FLEXIBLE ELECTRONIC DEVICE**

(71) Applicant: **Lenovo (Beijing) Co., Ltd.**, Beijing (CN)

(72) Inventor: **Jincherl Kwon**, Beijing (CN)

(73) Assignee: **Lenovo (Beijing) Co., Ltd.**, Beijing (CN)

(\*\*) Term: **15 Years**

(21) Appl. No.: **29/652,032**

(22) Filed: **Jan. 5, 2020**

**Related U.S. Application Data**

(62) Division of application No. 29/639,203, filed on Mar. 5, 2018, now Pat. No. Des. 875,091, which is a (Continued)

(30) **Foreign Application Priority Data**

Oct. 26, 2015 (CN) ..... 201530416847.3

(51) **LOC (13) Cl.** ..... **14-03**

(52) **U.S. Cl.**  
USPC ..... **D14/341; D14/138 AB**

(58) **Field of Classification Search**

USPC ..... D14/138 G, 138 AB, 138 AD, 138 C, D14/138 AC, 138 R, 138 AA, 203.7, D14/203.3, 203.1, 248, 250, 341, 496  
CPC .... G06F 1/1626; G06F 1/1652; H04M 1/027; H04M 1/0202; H04M 1/0279; H04M 1/0235; H04M 1/0237; H04M 1/0239;

(Continued)

(56) **References Cited**

**U.S. PATENT DOCUMENTS**

D468,279 S 1/2003 Kim  
D576,601 S 9/2008 Yasuda

(Continued)

*Primary Examiner* — Calvin E Vansant

(74) *Attorney, Agent, or Firm* — Oppedahl Patent Law Firm LLC

(57) **CLAIM**

The ornamental design for a flexible electronic device, as shown and described.

**DESCRIPTION**

FIG. 1 is a perspective view of a flexible electronic device showing our new design;

FIG. 2 is a left side view thereof;

FIG. 3 is a right side view thereof;

FIG. 4 is a top view thereof;

FIG. 5 is a bottom view thereof;

FIG. 6 is a perspective view thereof shown in first bending position;

FIG. 7 is a left side view thereof shown in second bending position;

FIG. 8 is a top view of FIG. 7;

FIG. 9 is a bottom view of FIG. 7;

FIG. 10 is a perspective view of FIG. 7

FIG. 11 is a perspective view thereof shown in third bending position;

FIG. 12 is a left side view thereof shown in fourth bending position;

FIG. 13 is a top view of FIG. 12;

FIG. 14 is a bottom view of FIG. 12;

FIG. 15 is a perspective view of FIG. 12;

FIG. 16 is a partial enlarged view of FIG. 1;

FIG. 17 is a partial enlarged view of FIG. 6; and,

FIG. 18 is a partial enlarged view of FIG. 7.

The broken lines shown in the drawings illustrate portions of the flexible electronic device that form no part of the claimed design.

The dot-dash broken lines shown in the drawings are for the purpose of illustrating partially enlarged views and form no part of the claimed design.

**1 Claim, 17 Drawing Sheets**

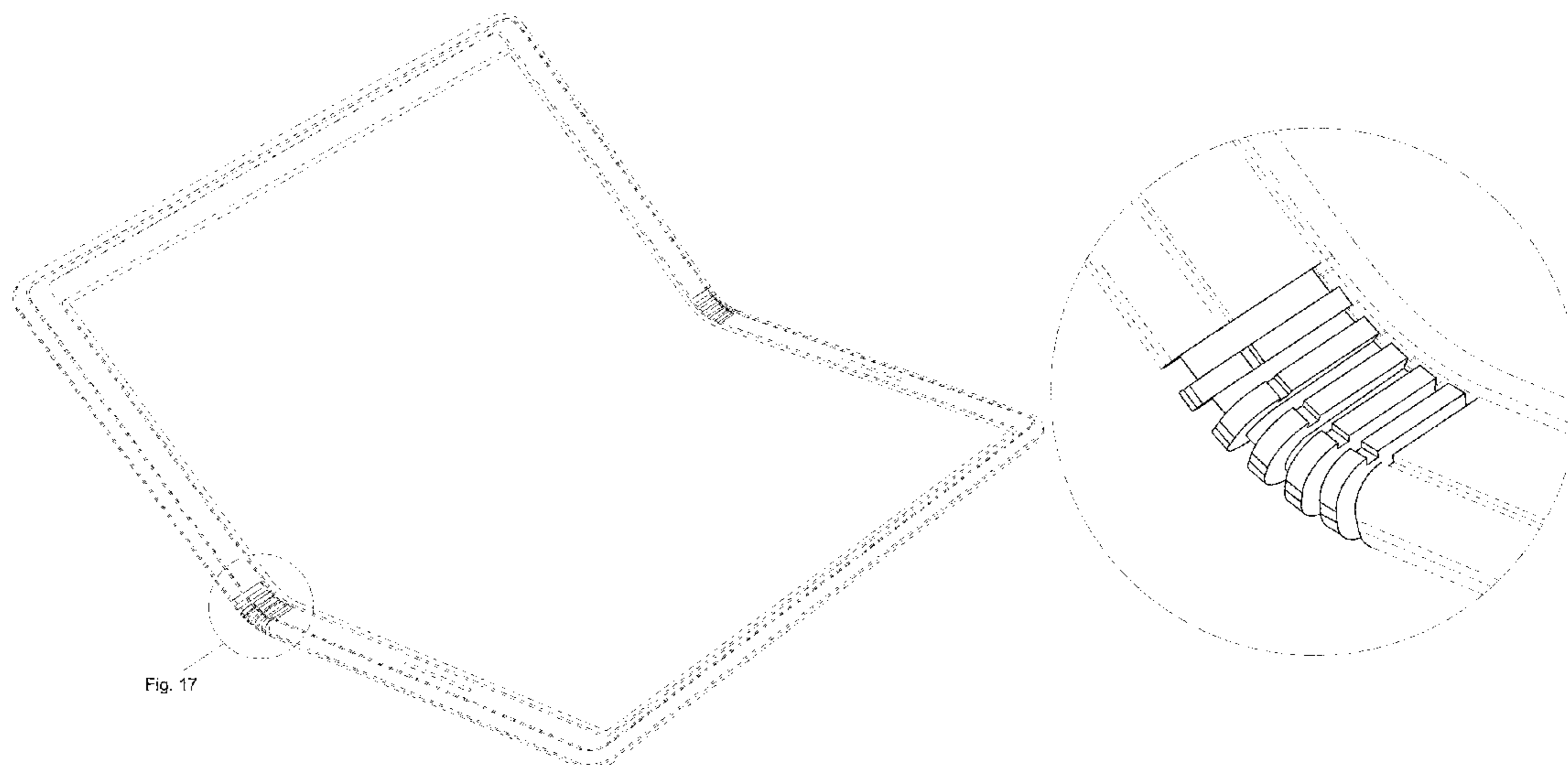


Fig. 17

**Related U.S. Application Data**

division of application No. 29/562,438, filed on Apr. 26, 2016, now Pat. No. Des. 814,455.

- (58) **Field of Classification Search**  
 CPC .. H04M 1/0266; H04M 1/0268; H04M 1/029;  
 H05K 5/0217  
 See application file for complete search history.

- (56) **References Cited**

U.S. PATENT DOCUMENTS

D588,126 S	3/2009	Chiang
D589,923 S	4/2009	Kim
D597,059 S	7/2009	Haspil
D603,363 S	11/2009	Choi
8,194,399 B2	6/2012	Ashcraft
8,306,575 B2	11/2012	Kubodera
D681,000 S	4/2013	Koh
D681,055 S	4/2013	Koh
D697,044 S	1/2014	Zhang et al.
D709,487 S	7/2014	Kang et al.
D713,841 S	9/2014	Lim et al.
8,837,126 B2	9/2014	Cho et al.
D715,758 S	10/2014	Yun
D715,759 S	10/2014	Choi et al.
D716,246 S	10/2014	Yun
D716,247 S	10/2014	Yun
D716,751 S	11/2014	Lee et al.
D719,540 S	12/2014	Lee et al.
D723,489 S	3/2015	Song
D726,673 S	4/2015	Lee et al.
9,013,864 B2	4/2015	Griffin et al.
9,069,521 B2	6/2015	Lee
9,173,287 B1	10/2015	Kim et al.
D744,448 S	12/2015	Im et al.
D744,992 S	12/2015	Lee et al.
D745,001 S	12/2015	Cho et al.
D746,285 S	12/2015	Okabe
D749,571 S	2/2016	Park et al.
D749,573 S	2/2016	Park et al.
D749,574 S	2/2016	Park et al.
D749,575 S	2/2016	Park et al.
D749,576 S	2/2016	Park et al.
D764,431 S	8/2016	Hibi
D767,526 S	9/2016	Lee et al.

D772,225 S	11/2016	Kim et al.
D775,095 S	12/2016	Kim et al.
D775,597 S	1/2017	Kim et al.
D776,073 S	1/2017	Kim et al.
D777,129 S	1/2017	Xu et al.
D778,862 S	2/2017	Hibi et al.
D788,726 S	6/2017	Lee et al.
D788,734 S	6/2017	Park et al.
D788,735 S	6/2017	Daniel
9,710,021 B2	7/2017	Kauhaniemi et al.
D800,112 S	10/2017	Park et al.
D814,435 S	4/2018	Kwon
D814,455 S	4/2018	Kwon
D828,321 S *	9/2018	Yeom ..... D14/138 AB
10,186,183 B2	1/2019	Lee
10,261,601 B2	4/2019	Kwon et al.
D859,347 S	9/2019	Kwon
D875,091 S *	2/2020	Kwon ..... D14/341
D884,664 S *	5/2020	Kwon ..... D14/138 AB
2006/0105824 A1	5/2006	Kim
2012/0314399 A1	12/2012	Bohn
2013/0216740 A1	8/2013	Russell-Clarke et al.
2013/0321340 A1	12/2013	Seo
2014/0198036 A1	7/2014	Kim et al.
2014/0226275 A1	8/2014	Ko et al.
2014/0255899 A1	9/2014	Poullain
2014/0285476 A1	9/2014	Cho et al.
2014/0319550 A1	10/2014	Yamazaki et al.
2014/0353613 A1	12/2014	Cheon
2015/0023030 A1	1/2015	Tsukamoto
2015/0055287 A1	2/2015	Seo
2015/0131222 A1	5/2015	Kauhaniemi et al.
2015/0153778 A1	6/2015	Jung
2015/0338888 A1	11/2015	Kim et al.
2015/0378397 A1	12/2015	Park et al.
2015/0378557 A1	12/2015	Jeong et al.
2016/0062408 A1	3/2016	Lee et al.
2016/0132074 A1	5/2016	Kim et al.
2016/0155967 A1	6/2016	Lee et al.
2016/0187935 A1	6/2016	Tazbaz et al.
2016/0187994 A1	6/2016	La et al.
2016/0195901 A1	7/2016	Kauhaniemi et al.
2016/0195938 A1	7/2016	Kim et al.
2016/0357222 A1	12/2016	Seo et al.
2017/0235343 A1	8/2017	Cho et al.
2018/0136700 A1	5/2018	Chen et al.
2018/0329460 A1	11/2018	Song

\* cited by examiner

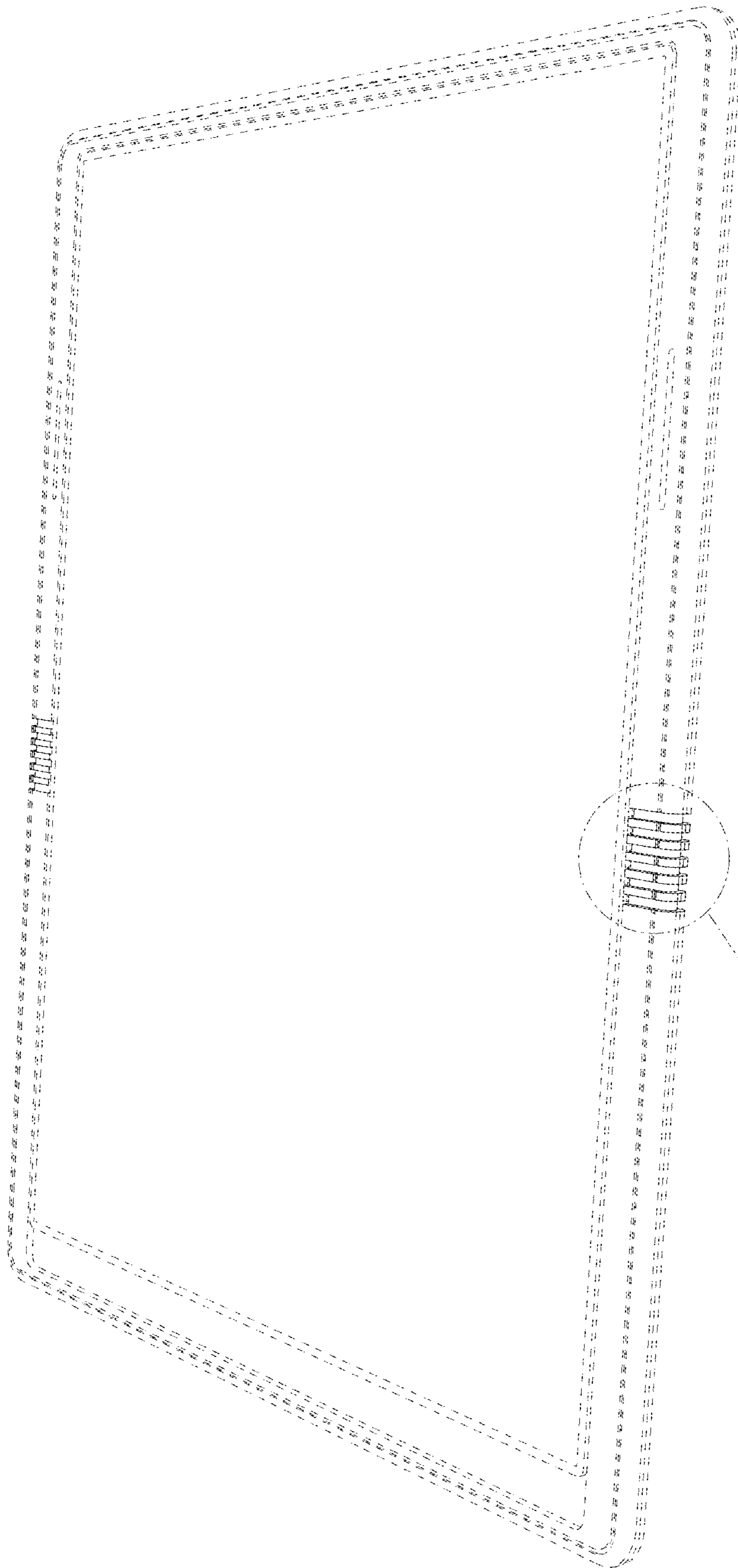


Fig. 1

Fig. 16

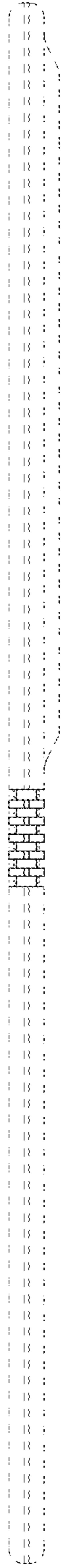


Fig. 2

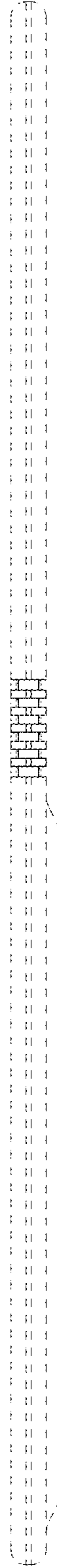


Fig. 3

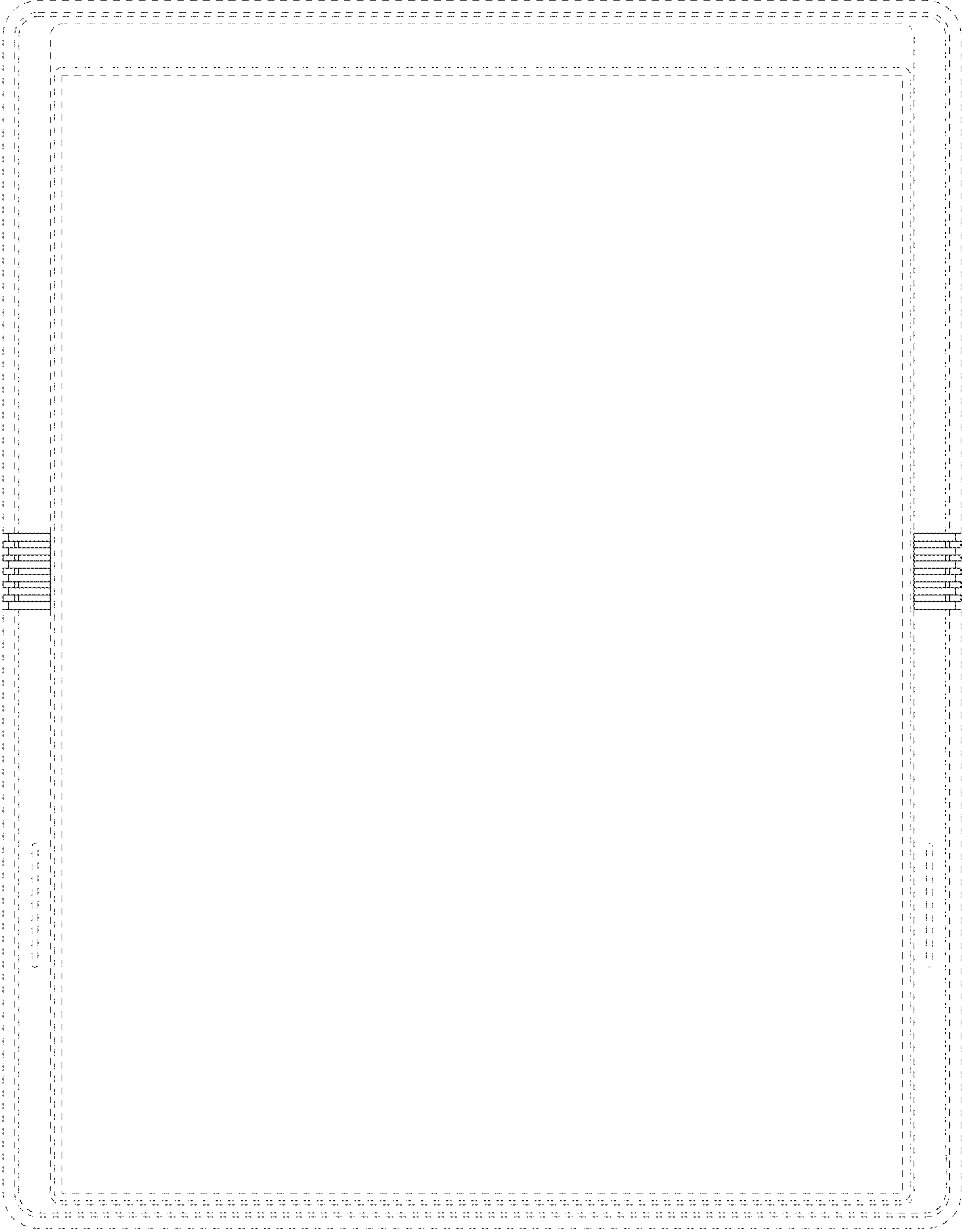


Fig. 4

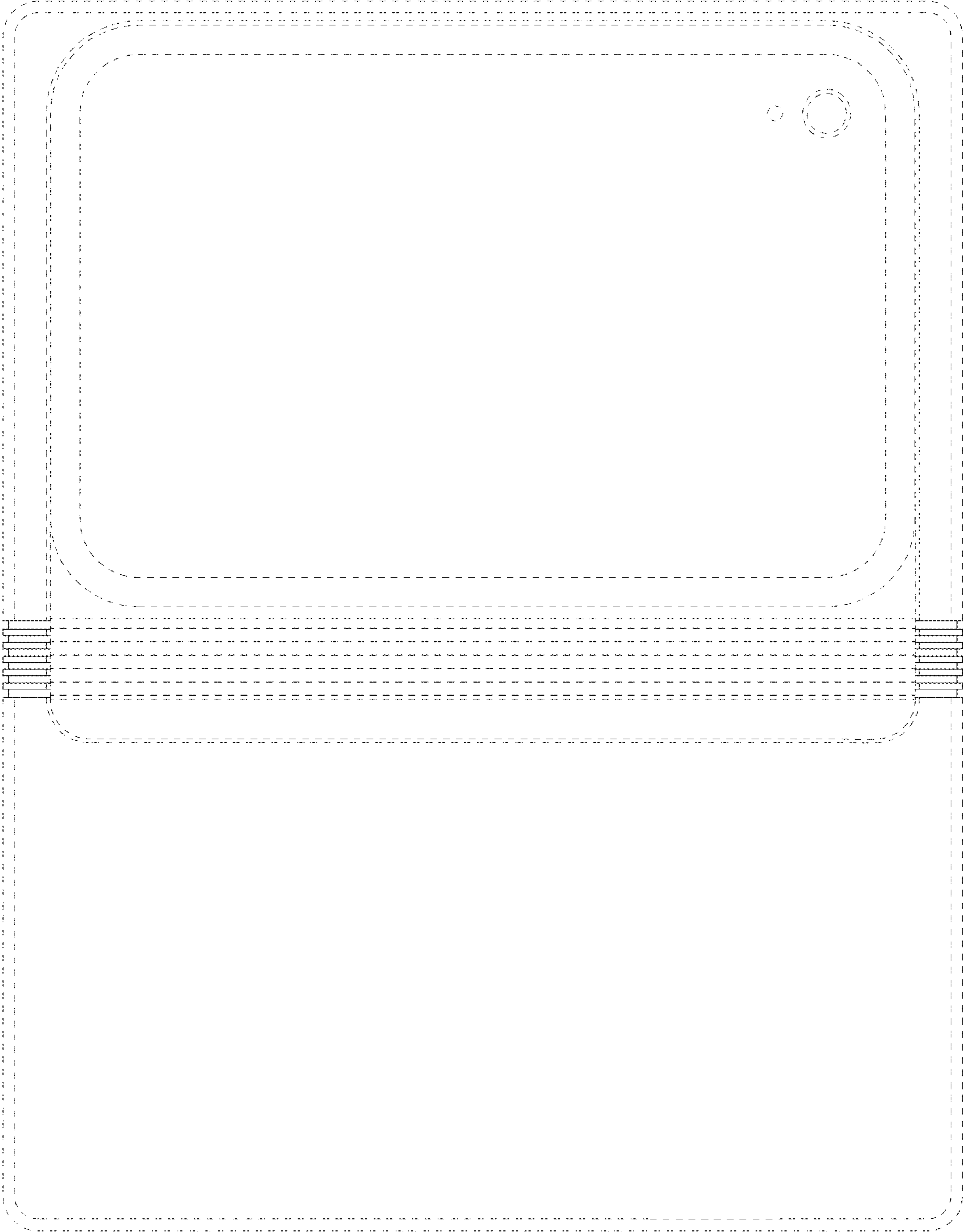


Fig. 5

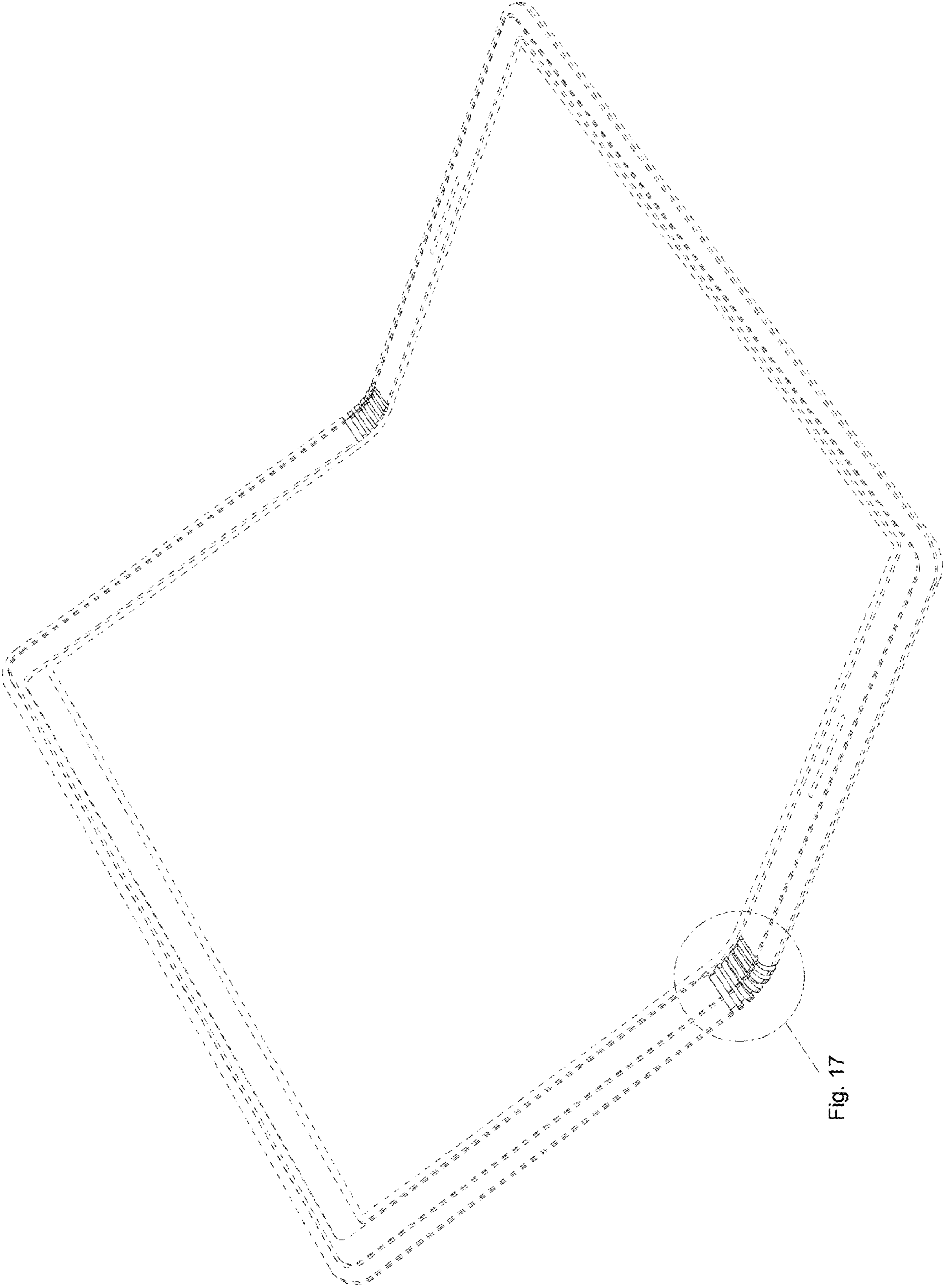


Fig. 6

Fig. 17

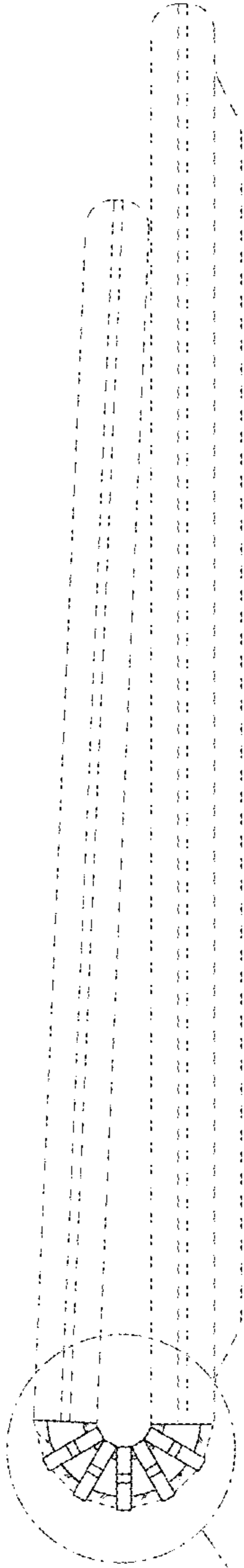


Fig. 18

Fig. 7





Fig. 8

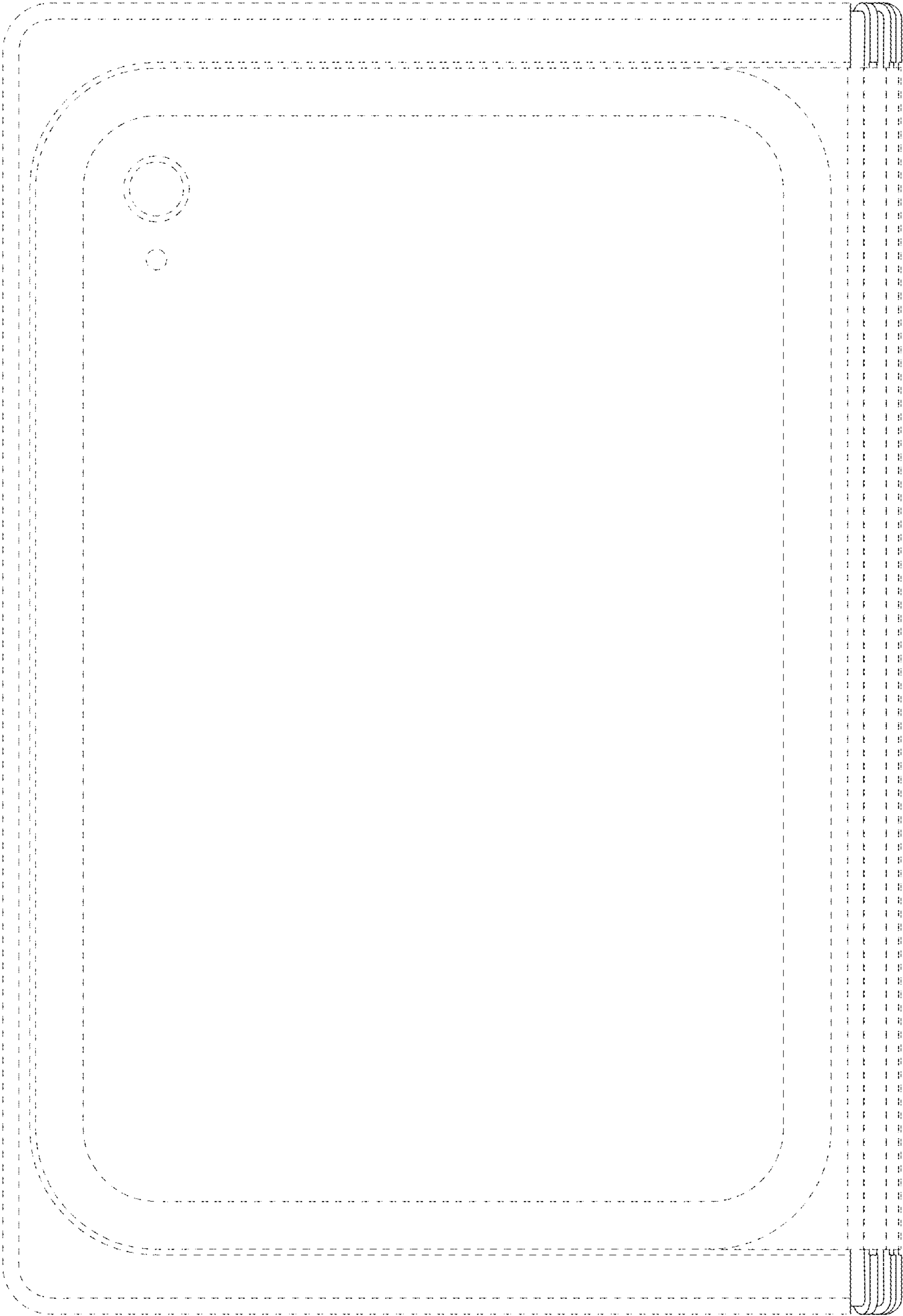


Fig. 9

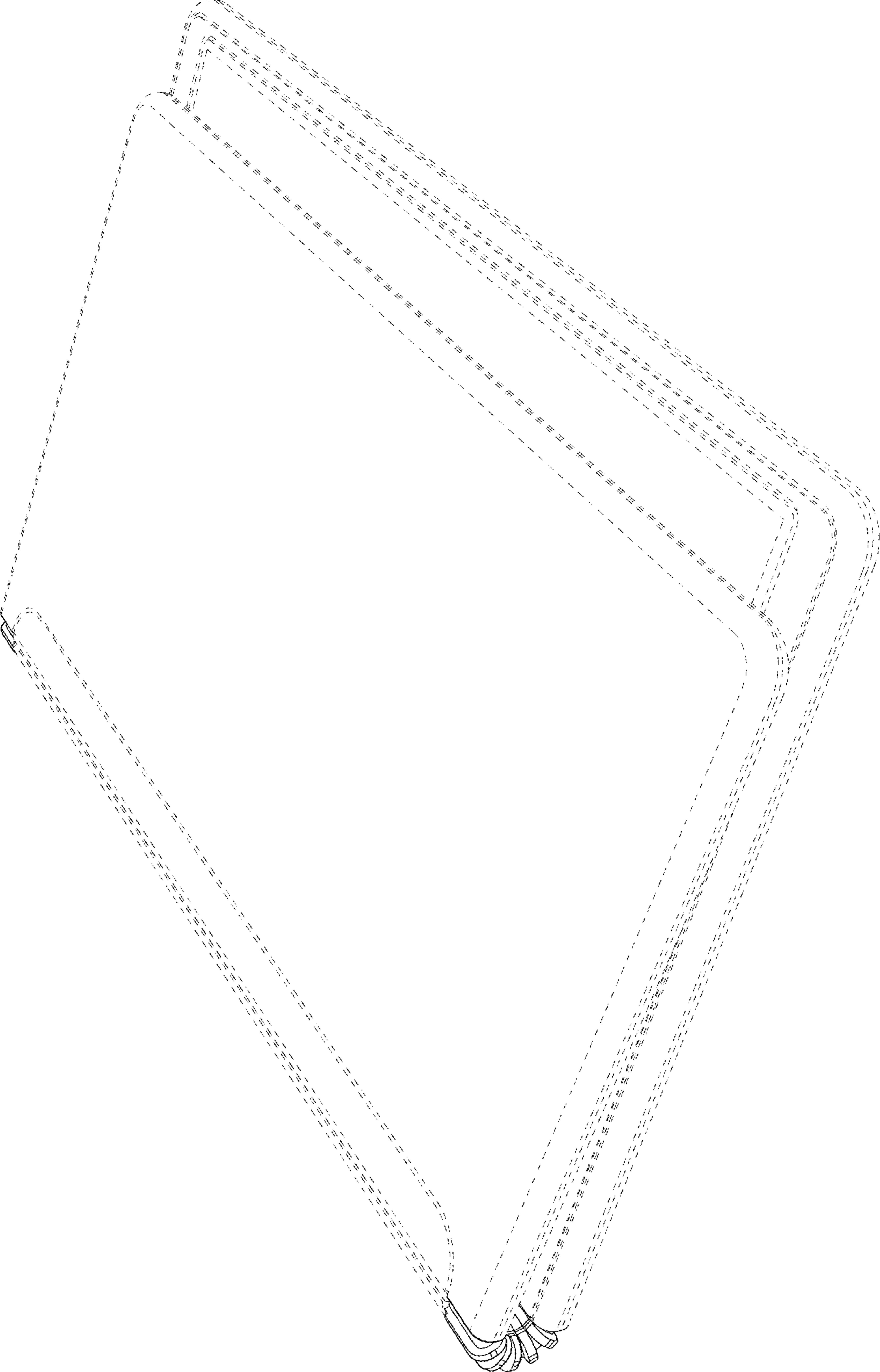


Fig. 10

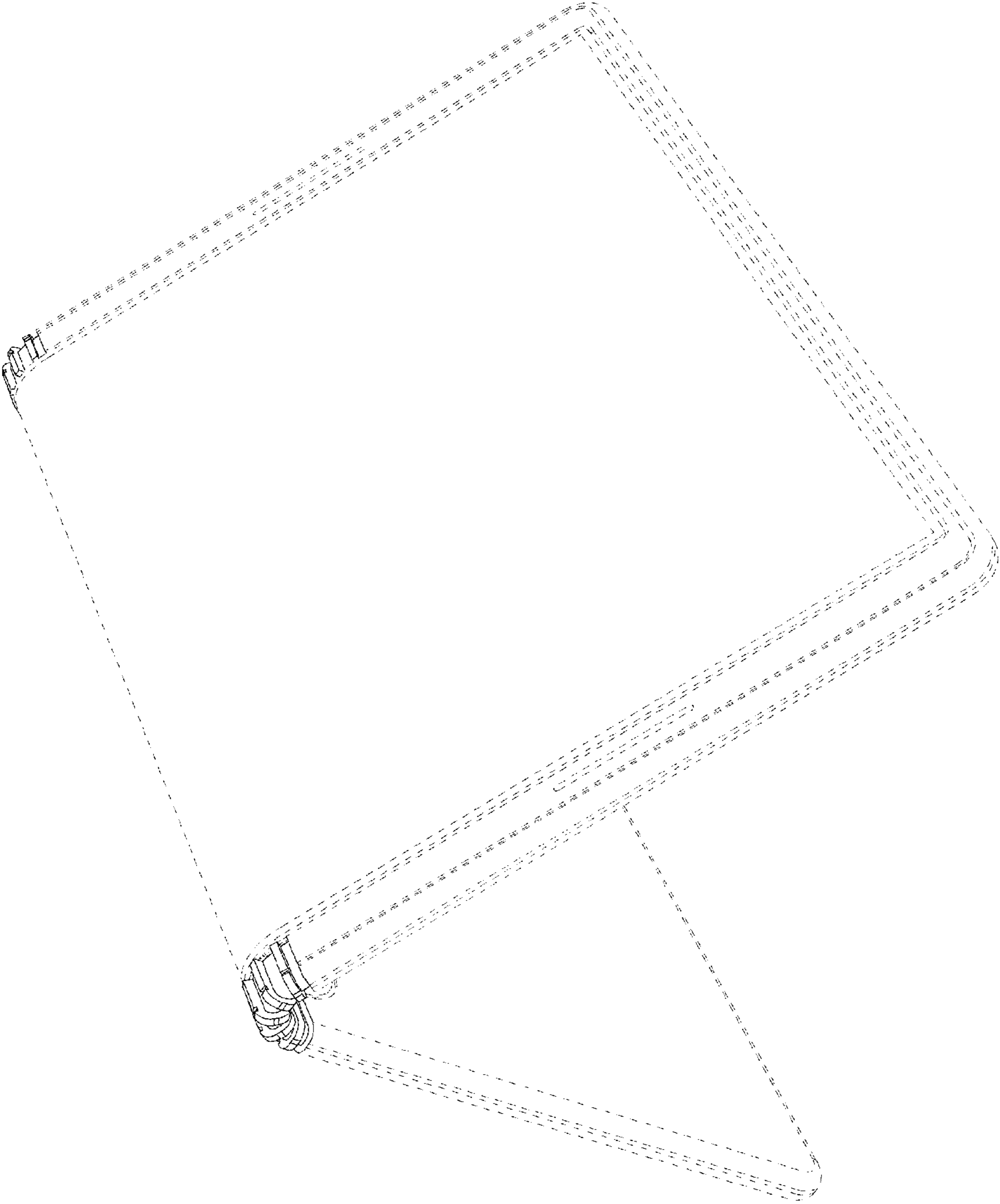


Fig. 11

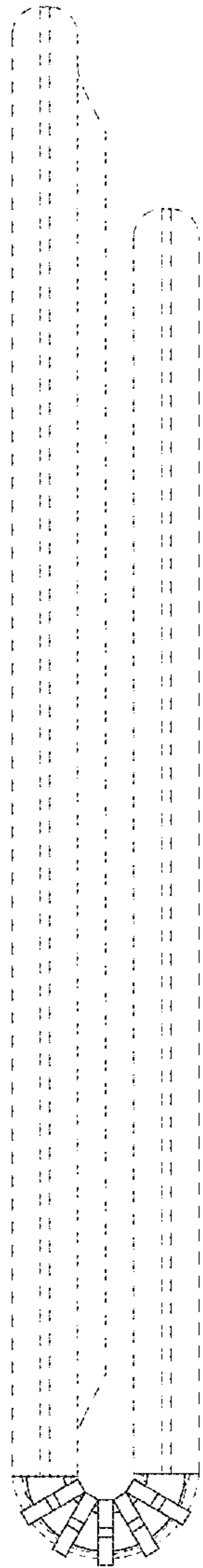


Fig. 12



Fig. 13

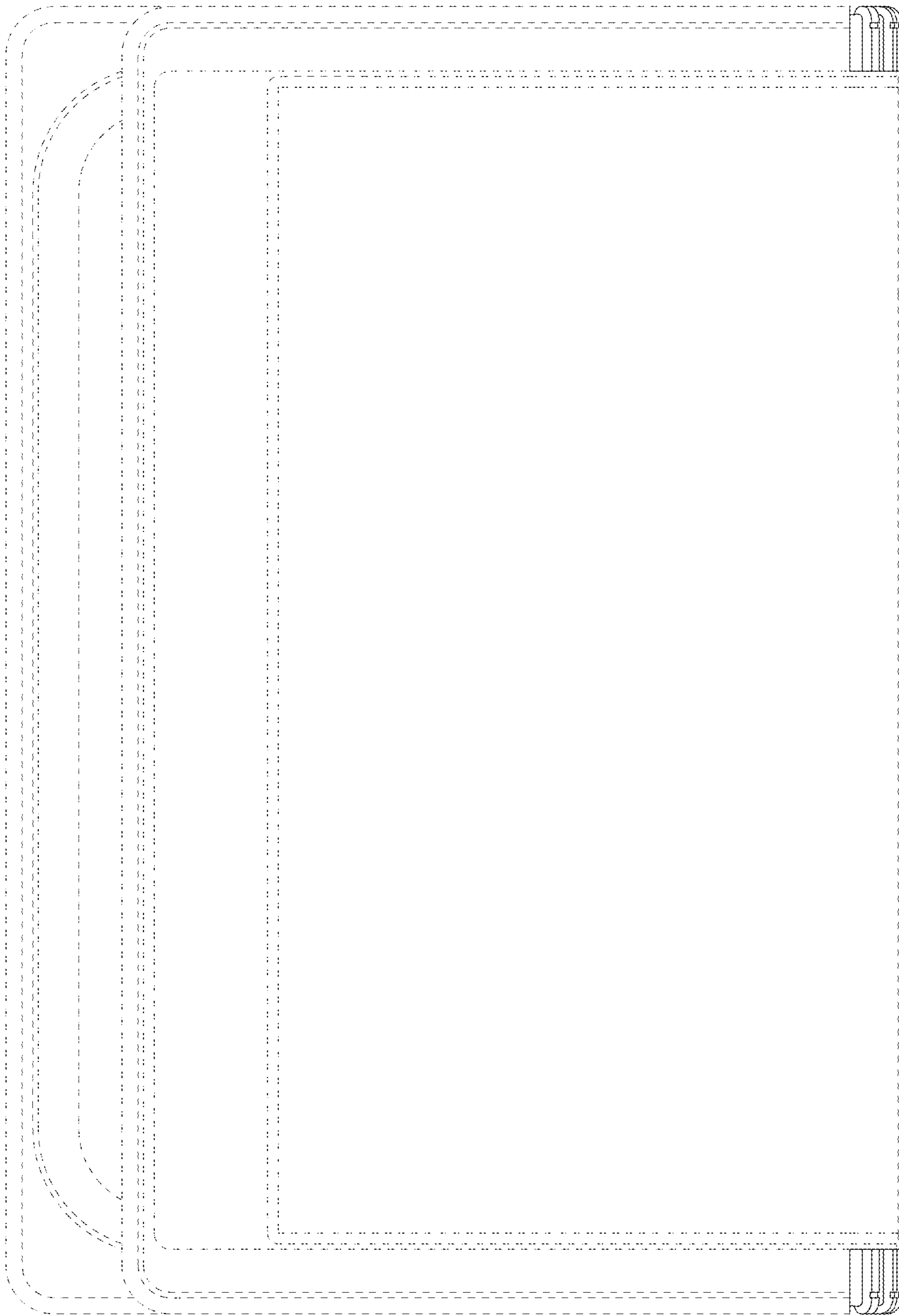


Fig. 14

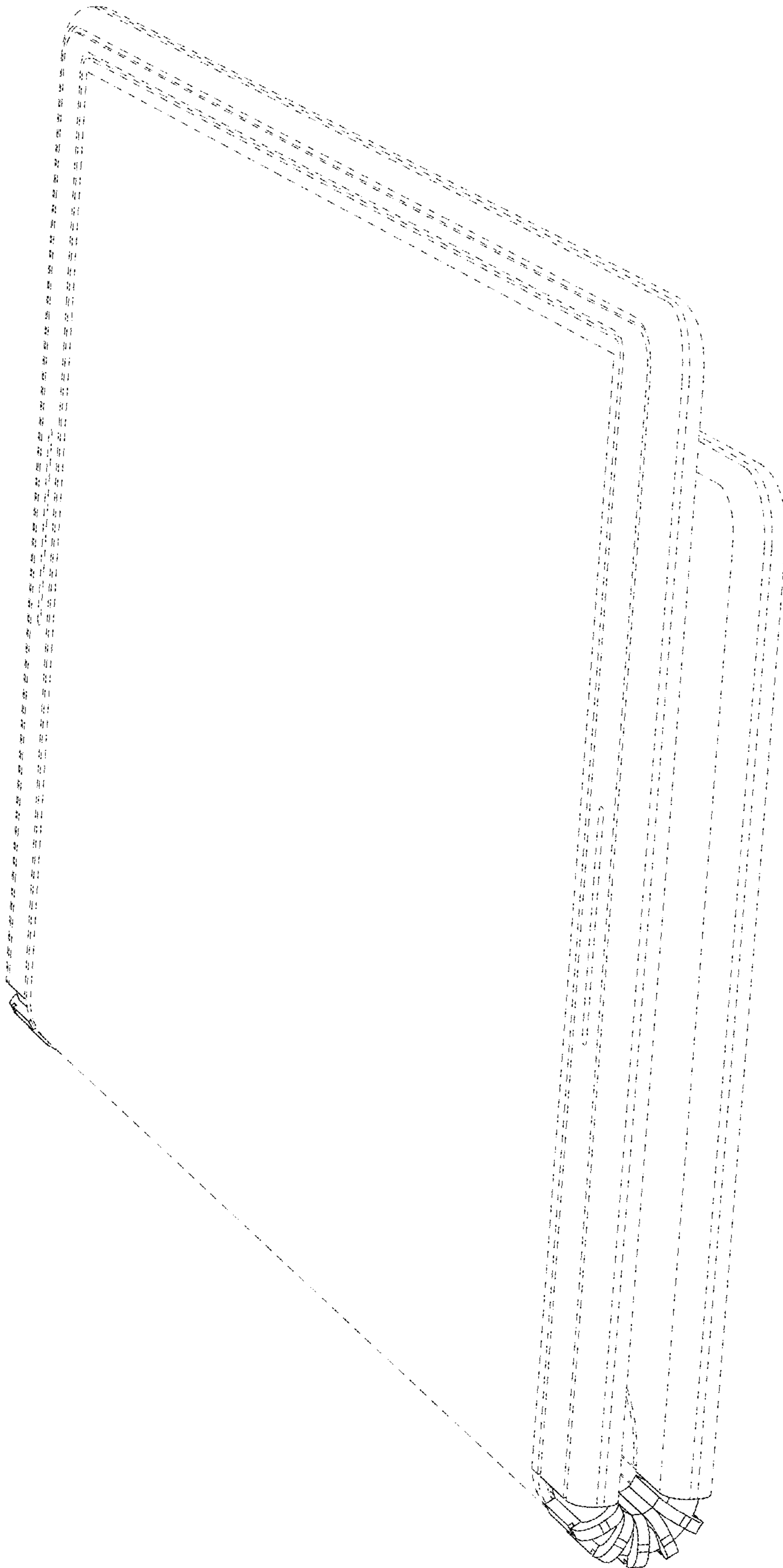


Fig. 15



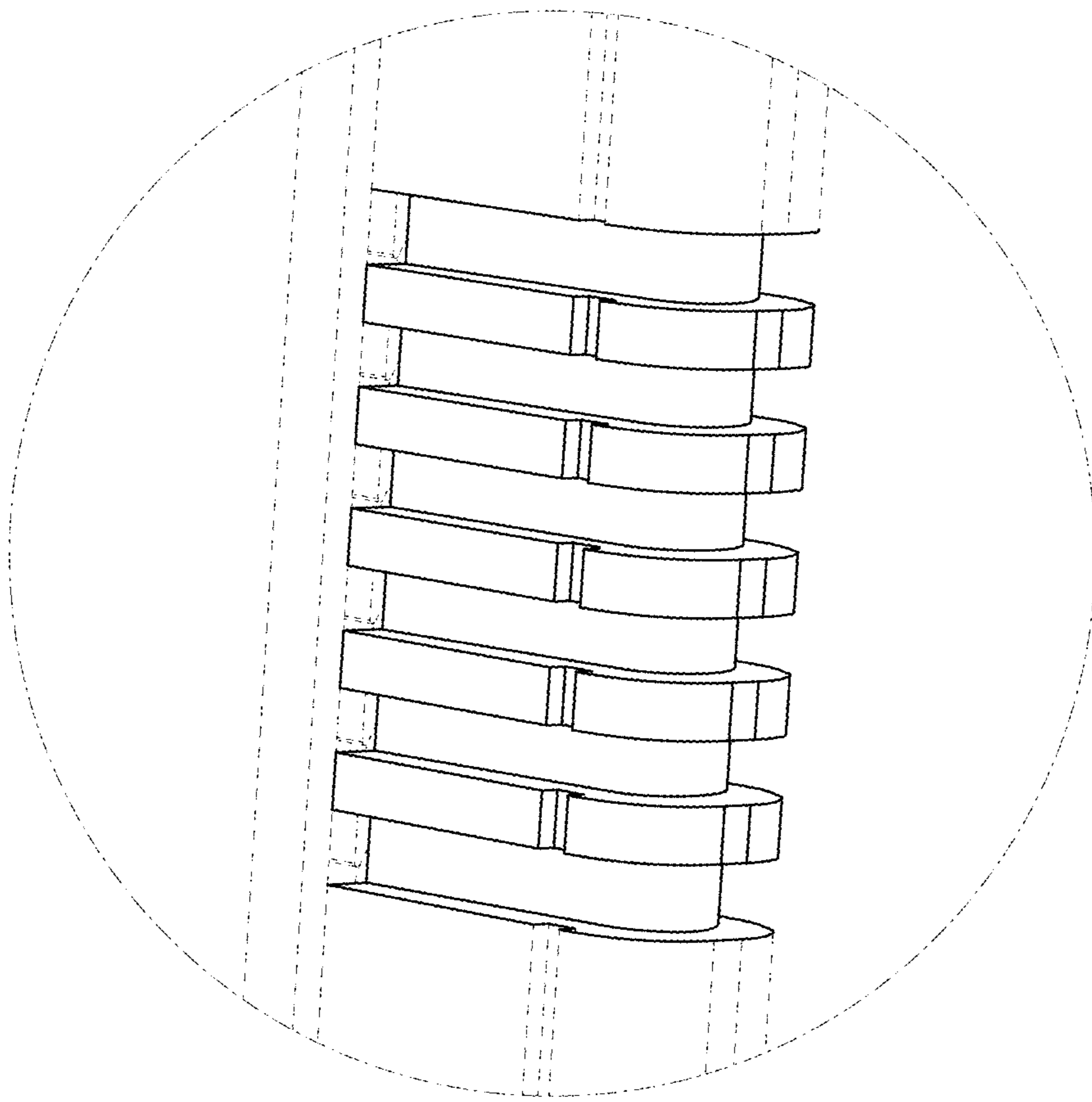


Fig. 16

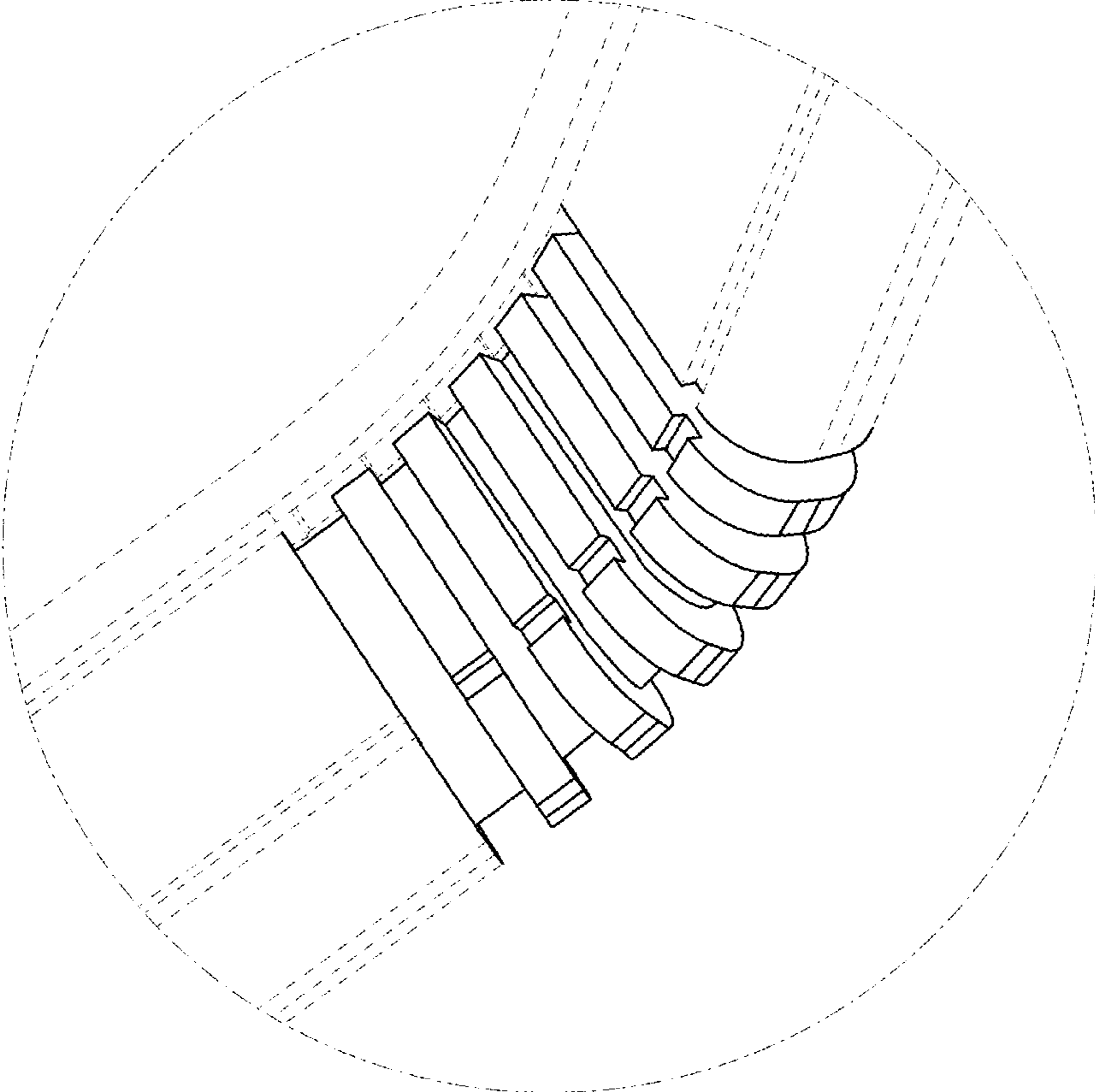


Fig. 17

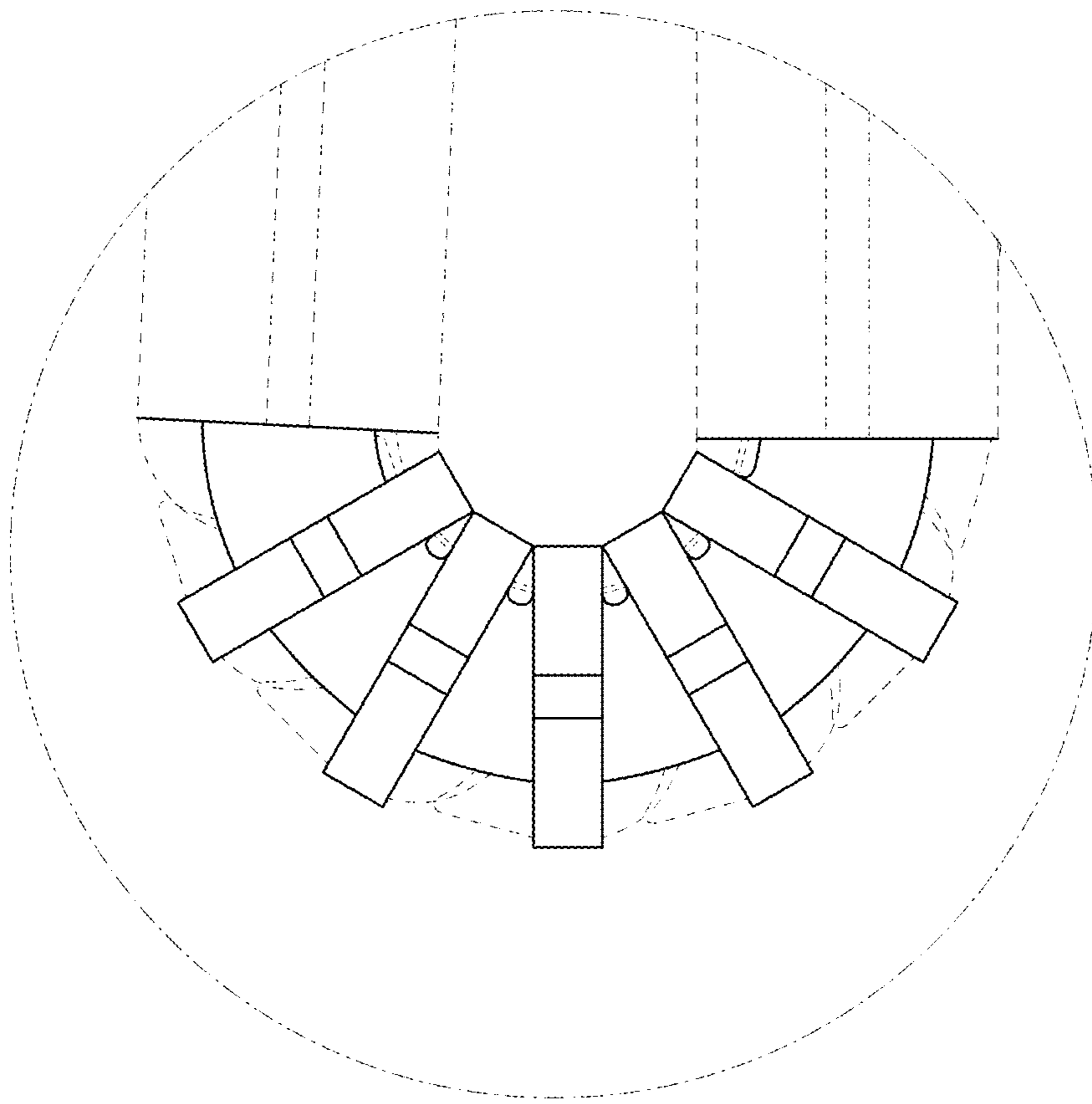


Fig. 18