



US00D954041S

(12) **United States Design Patent**  
**Lee et al.**

(10) **Patent No.: US D954,041 S**  
(45) **Date of Patent: \*\* Jun. 7, 2022**

(54) **LAPTOP COMPUTER**

(71) Applicant: **LG ELECTRONICS INC.**, Seoul (KR)

(72) Inventors: **Taejin Lee**, Seoul (KR); **Daihyung Ryu**, Seoul (KR); **Yoonyoung Cho**, Seoul (KR)

(73) Assignee: **LG ELECTRONICS INC.**, Seoul (KR)

(\*\*) Term: **15 Years**

(21) Appl. No.: **29/738,258**

(22) Filed: **Jun. 16, 2020**

(30) **Foreign Application Priority Data**

Dec. 19, 2019 (KR) ..... 30-2019-0061720

(51) **LOC (13) Cl.** ..... **14-02**

(52) **U.S. Cl.**  
USPC ..... **D14/318**; D14/390

(58) **Field of Classification Search**  
USPC ..... D14/315–328, 432, 331, 338–340, D14/388–390, 399, 439–441, 448, 450, D14/455; D18/1, 4.3, 7, 12.2–12.3  
CPC ..... G06F 1/1601; G06F 1/1605; G06F 1/165; G06F 1/166; G06F 1/169; G06F 1/1613; G06F 1/1615; G06F 1/1616; G06F 1/1618; G06F 1/162; G06F 1/1622; G06F 1/1624; G06F 1/1633; G06F 1/1637; G06F 1/181; G06F 1/1643; G06F 1/1647; G06F 1/1649; G06F 1/1652; G06F 1/1654; G06F 1/1656; G06F 1/1662; G06F 1/1671; G06F 1/1669; G06F 1/203; G06F 1/1688; G06F 1/1692;

(Continued)

(56) **References Cited**

U.S. PATENT DOCUMENTS

D494,190 S \* 8/2004 Hong ..... D14/319  
D502,496 S \* 3/2005 Yusef ..... D18/2

(Continued)

OTHER PUBLICATIONS

Lee et al., KR Design No. 300714878, published at Orbit, publication date Aug. 18, 2015. Site visited Nov. 5, 2021. Available from Internet. (Year: 2015).\*

(Continued)

*Primary Examiner* — Kathleen L Jones

(74) *Attorney, Agent, or Firm* — Birch, Stewart, Kolasch & Birch, LLP

(57) **CLAIM**

The ornamental design for a laptop computer, as shown and described.

**DESCRIPTION**

FIG. 1 is a front, right side, perspective view of a laptop computer showing our new design;  
FIG. 2 is a front view thereof;  
FIG. 3 is a rear view thereof;  
FIG. 4 is a left side view thereof;  
FIG. 5 is a right side view thereof;  
FIG. 6 is a top view thereof;  
FIG. 7 is a bottom view thereof;  
FIG. 8 is a front, right side, perspective view in an open state;  
FIG. 9 is a front view thereof;  
FIG. 10 is a rear view thereof;  
FIG. 11 is a left side view thereof;  
FIG. 12 is a right side view thereof;  
FIG. 13 is a top view thereof;  
FIG. 14 is a bottom view thereof; and,

(Continued)

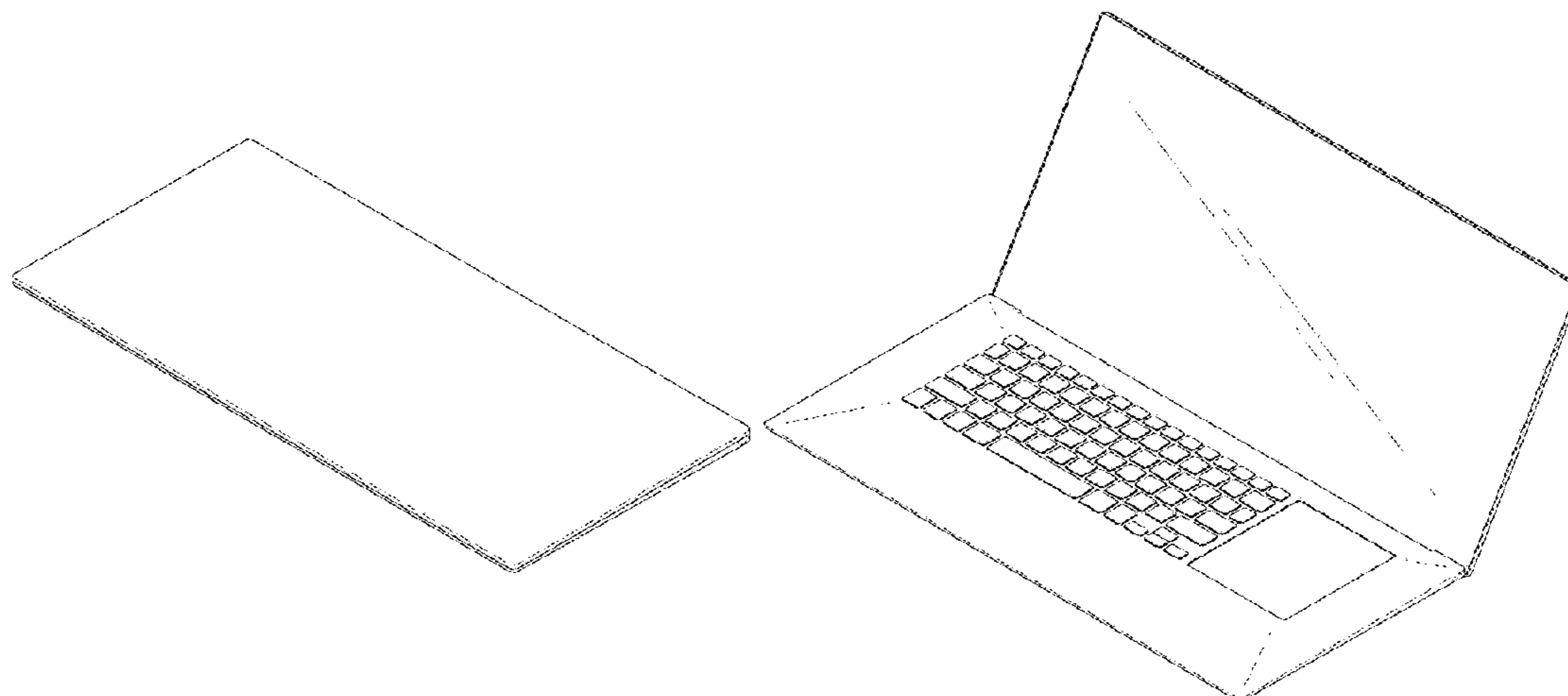


FIG. 15 is a perspective view thereof shown with additional broken line environmental features forming no part of the claimed design.

The broken lines indicate portions of the article that form no part of the claimed design.

**1 Claim, 9 Drawing Sheets**

(58) **Field of Classification Search**

CPC . G06F 15/0216; H05K 5/0047; H05K 5/0052  
See application file for complete search history.

(56) **References Cited**

U.S. PATENT DOCUMENTS

D538,279	S	*	3/2007	Mahan	.....	D14/329
D689,047	S	*	9/2013	Kinkeldey	.....	D14/331
D716,302	S	*	10/2014	Delgado	.....	D14/390
D726,724	S	*	4/2015	Wahlqvist	.....	D14/390
D729,792	S	*	5/2015	Kurimoto	.....	D14/320
D788,768	S	*	6/2017	Hsieh	.....	D14/315
D848,423	S	*	5/2019	Kujawski	.....	D14/401
D916,077	S	*	4/2021	Wang	.....	D14/315
D931,273	S	*	9/2021	Wang	.....	D14/315
D931,274	S	*	9/2021	Hwang	.....	D14/315
2007/0203963	A1	*	8/2007	Chen	.....	G06F 1/1616 708/100
2007/0206347	A1	*	9/2007	Kuo	.....	G06F 1/1656 361/679.28
2008/0094025	A1	*	4/2008	Rosenblatt	.....	G06F 1/1635 320/101
2008/0246731	A1	*	10/2008	Chechelniker	.....	G06F 3/03547 345/168
2013/0339985	A1	*	12/2013	Tseng	.....	G11B 17/0288 720/601
2014/0160654	A1	*	6/2014	Yoo	.....	G06F 1/1681 361/679.12

2014/0204520	A1	*	7/2014	Wu	.....	G06F 1/1669 361/679.17
2014/0218857	A1	*	8/2014	Liu	.....	G06F 1/1686 361/679.27
2015/0147513	A1	*	5/2015	Shiroishi	.....	B29D 99/006 428/58
2015/0177792	A1	*	6/2015	Vic	.....	G06F 1/1635 361/679.09
2016/0202778	A1	*	7/2016	Su	.....	G06F 3/03547 345/168
2018/0120985	A1	*	5/2018	Wallace	.....	G06F 1/169
2018/0217668	A1	*	8/2018	Ligtenberg	.....	G06F 3/0414
2019/0129480	A1	*	5/2019	Ku	.....	H05K 7/20145
2019/0258290	A1	*	8/2019	Song	.....	G06F 1/1616
2019/0361543	A1	*	11/2019	Zhang	.....	G06F 1/1684
2020/0249730	A1	*	8/2020	Lin	.....	G06F 1/1686
2021/0064085	A1	*	3/2021	Haworth	.....	G06F 1/1656

OTHER PUBLICATIONS

ASUS launches ZenBook Pro Duo dual-screen laptop to SL, posted at Daily News, posting date Jul. 9, 2020. Site visited Nov. 5, 2021. URL: <<https://www.dailynews.lk/2020/07/09/finance/222725/asus-launches-zenbook-pro-duo-dual-screen-laptop-sl>> (Year: 2020).\*

Fang, Paul, Asus, Bang & Olufsen collaborate on Asus NX90 hi-fi, dual-touchpad laptop, posted at SlashGear, posting date Jan. 5, 2010. Site visited Nov. 5, 2021. URL: <<https://www.slashgear.com/asus-bang-olufsen-team-for-asus-nx90-dual-touchpad-laptop-0567895/>> (Year: 2010).\*

HT Tech, Lenovo laptop dual screen with stylus support coming, reveals leak, posted at HindustanTimes, posting date Nov. 3, 2021. Site visited Nov. 5, 2021. URL: <<https://tech.hindustantimes.com/laptops-pc/news/lenovo-laptop-dual-screen-with-stylus-support-coming-reveals-leak-71635919436833.html>> (Year: 2021).\*

Reviews: Asus ZenBook Flip S UX371E, posted at TekDeeps, posting date Dec. 16, 2020. Site visited Nov. 5, 2021. URL: <<https://tekdeeps.com/reviews-asus-zenbook-flip-s-ux371e-intel-tiger-lake-and-lpddr4x-4266-attack-introducing-the-asus-zenbook-flip-s-ux371e/>> (Year: 2020).\*

\* cited by examiner

FIG. 1

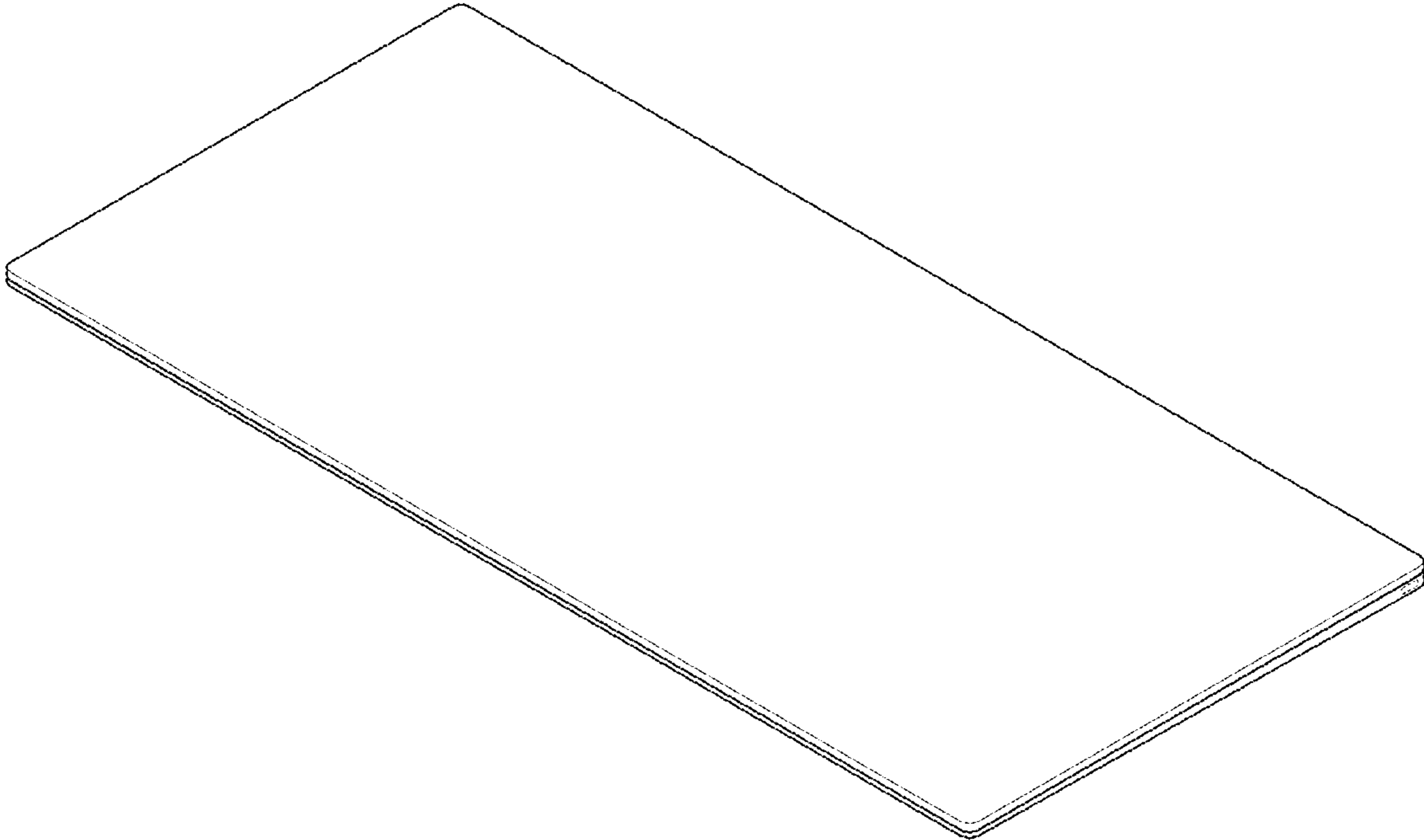


FIG. 2

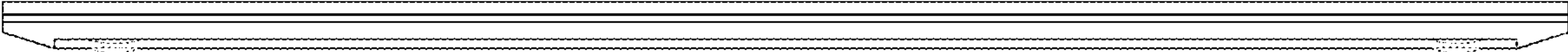


FIG. 3

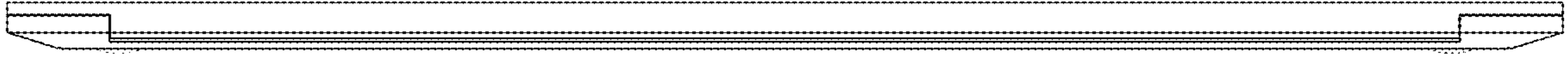


FIG. 4

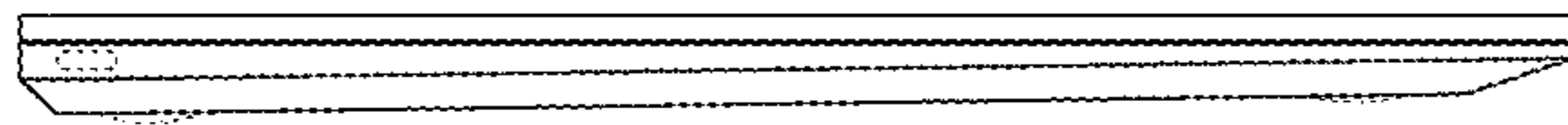


FIG. 5

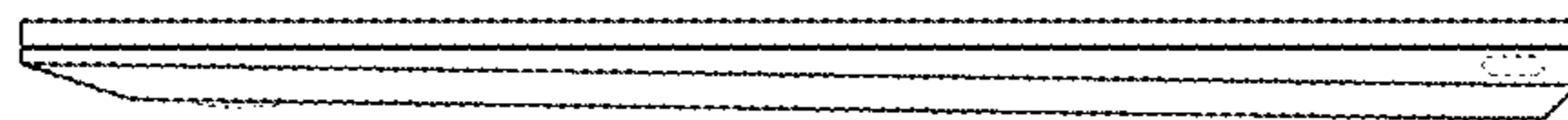


FIG. 6

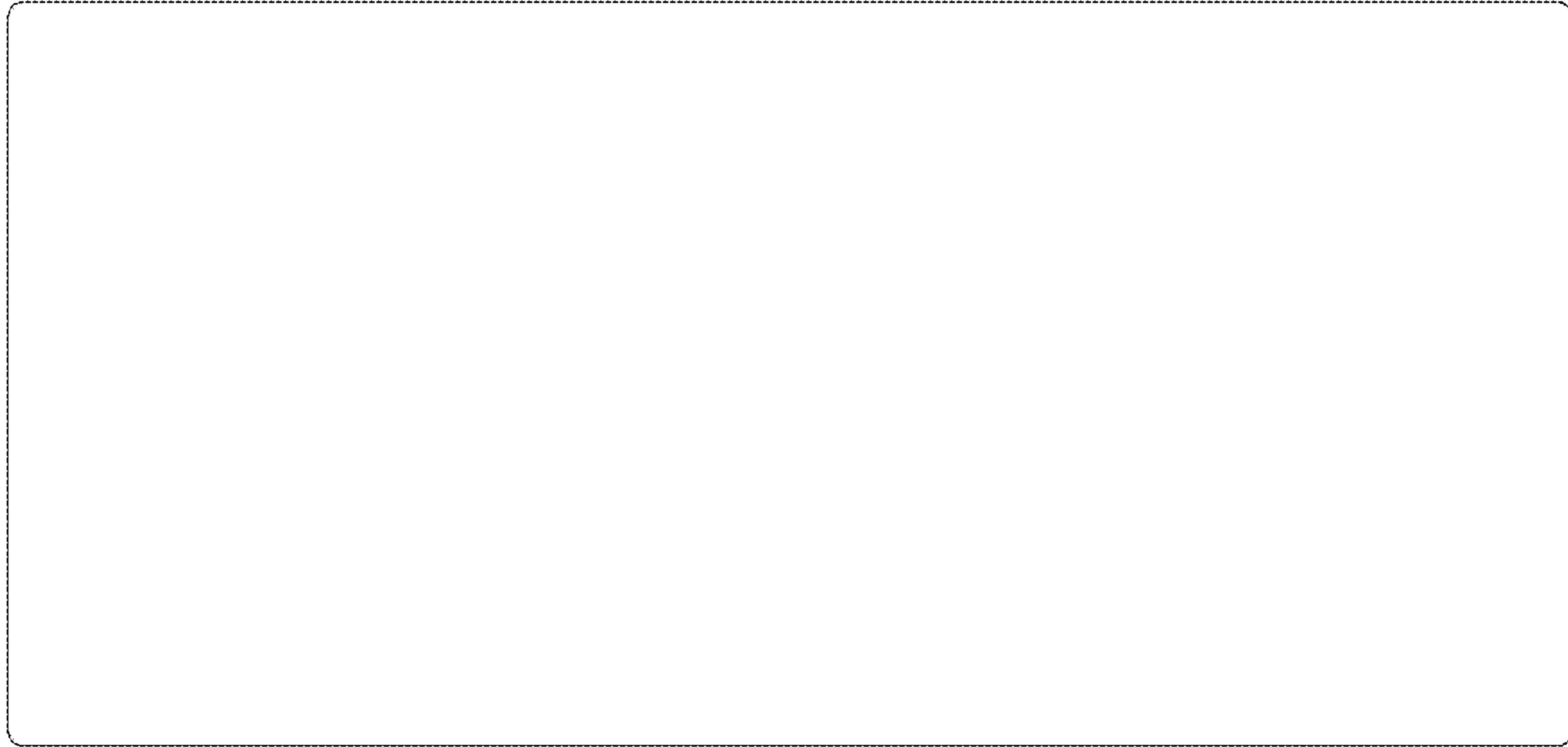


FIG. 7

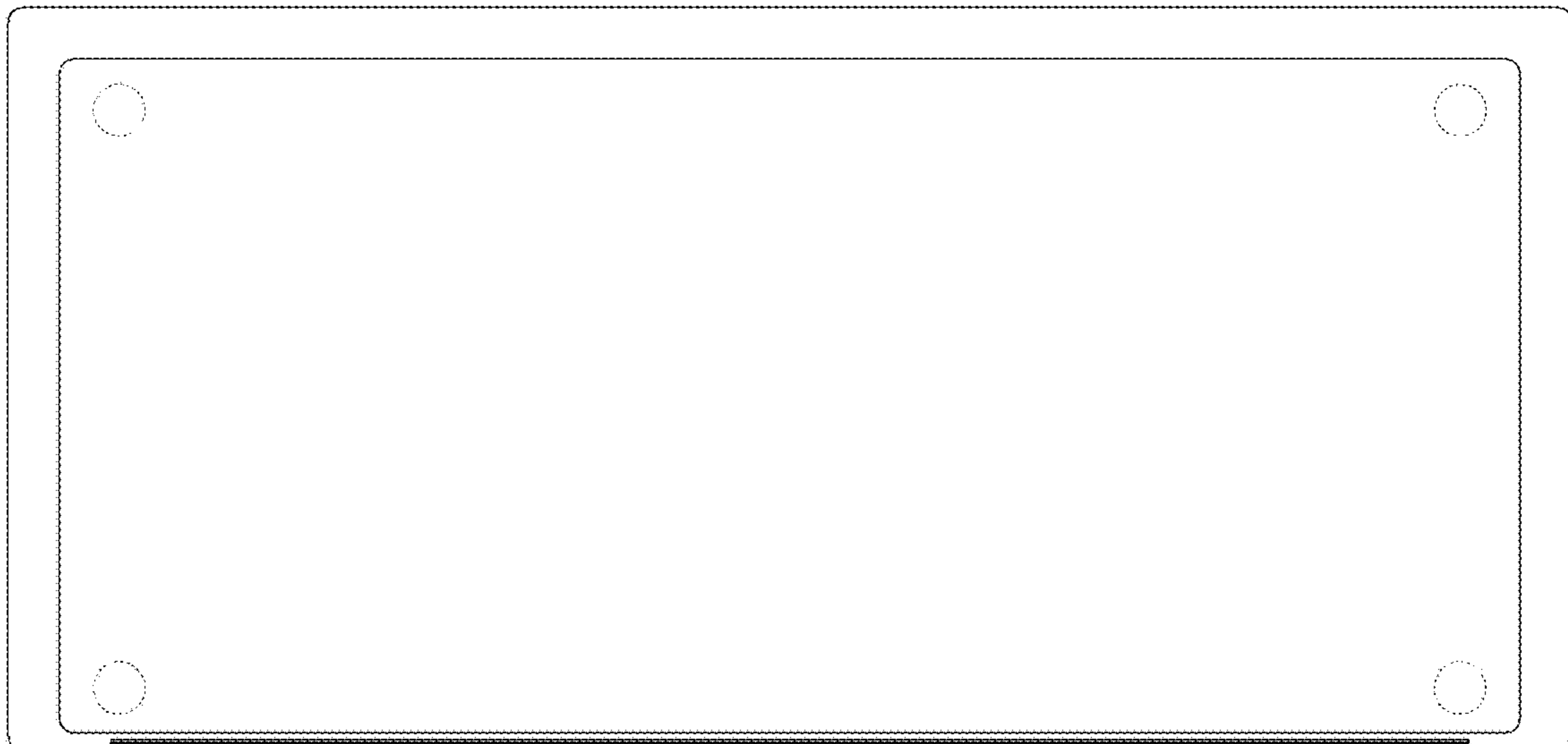


FIG. 8

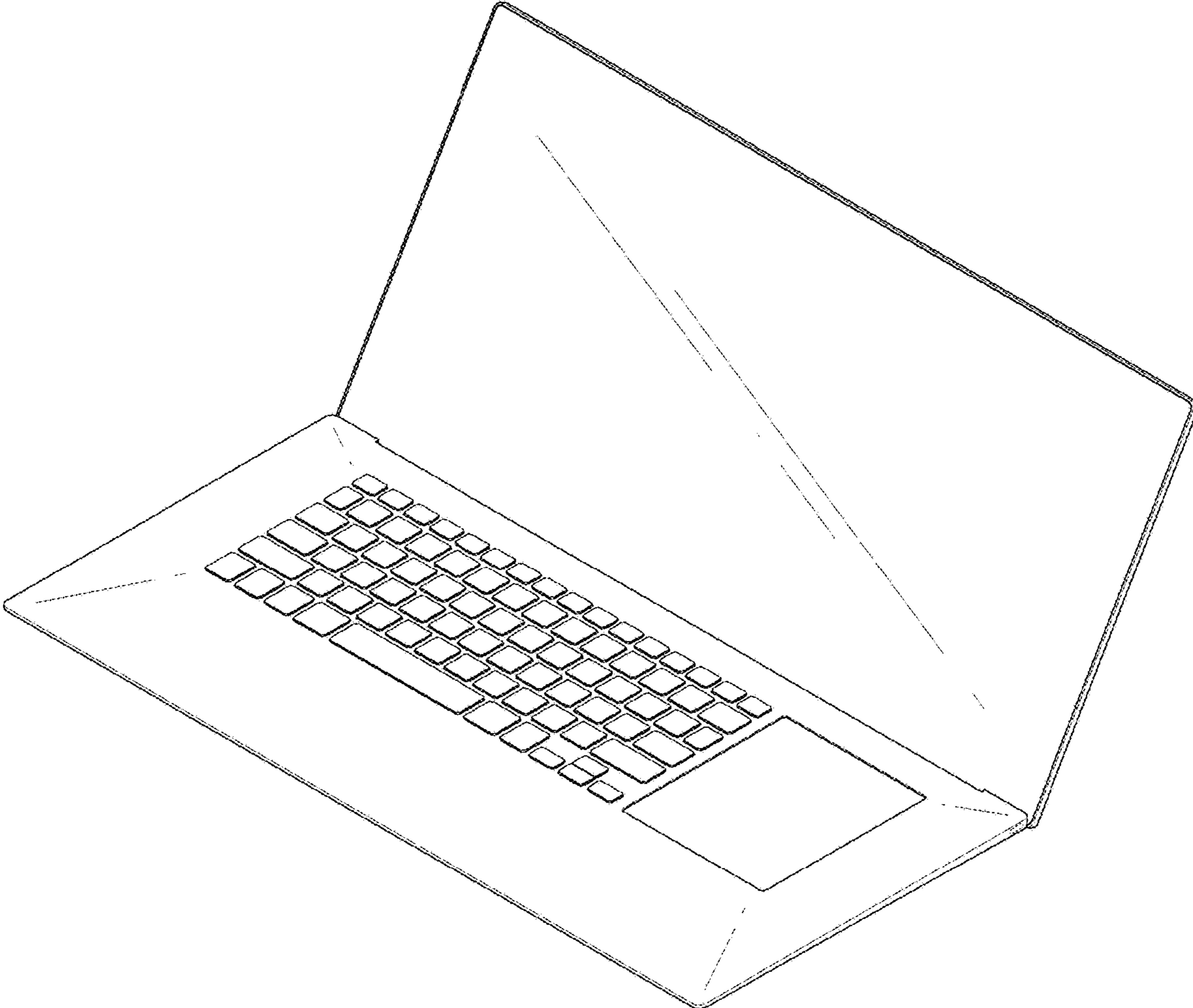


FIG. 9



FIG. 10



FIG. 11

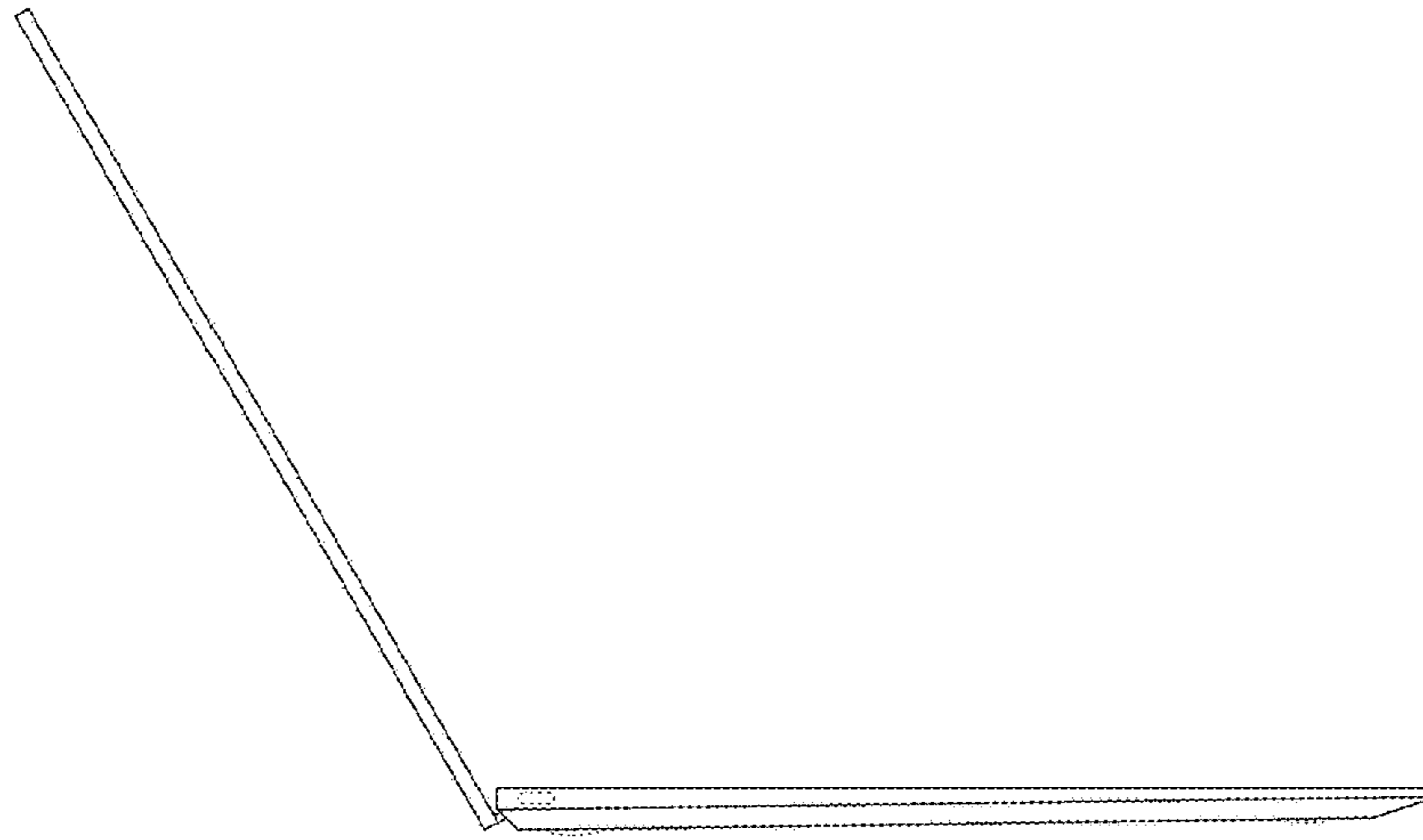


FIG. 12

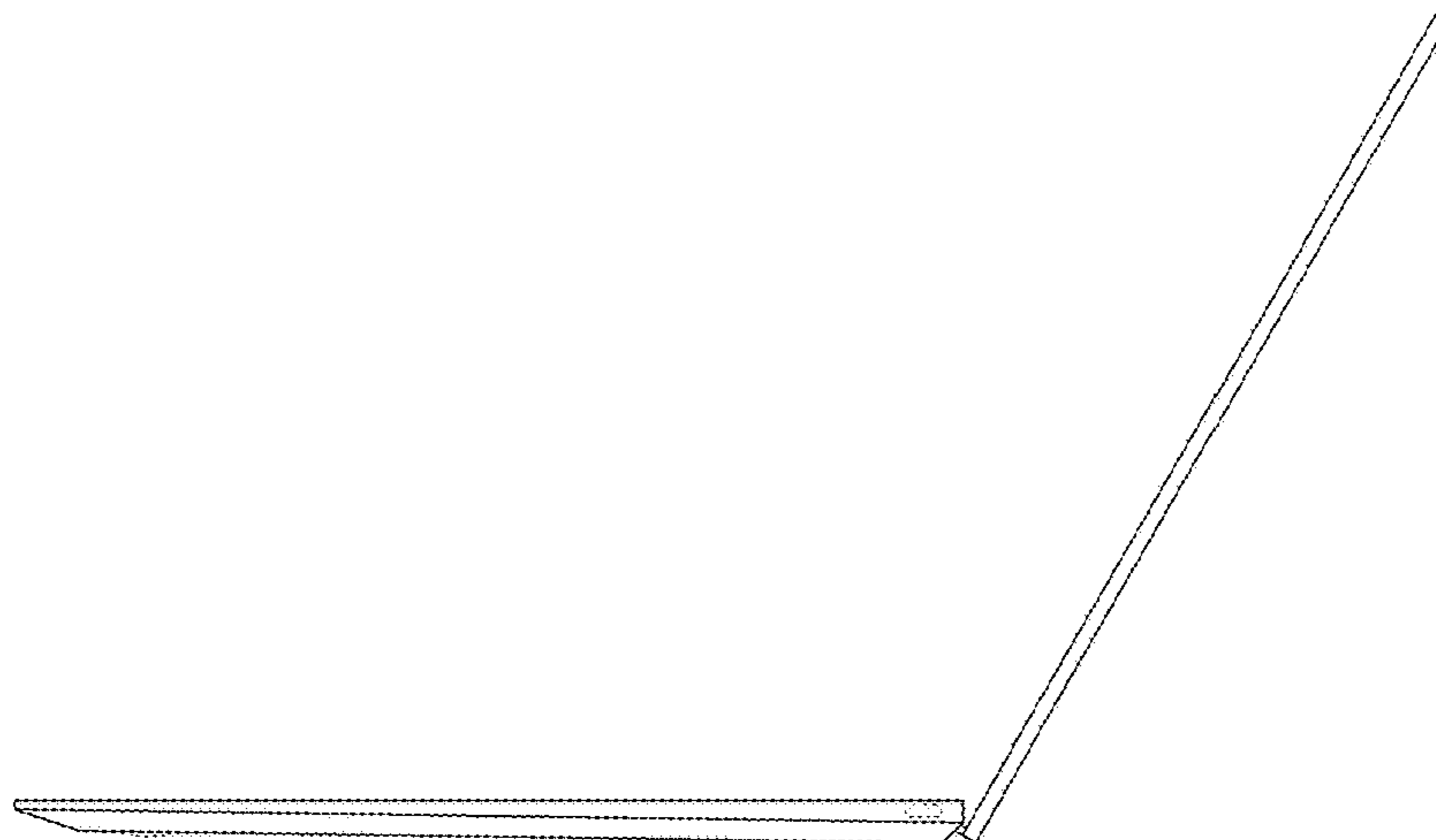




FIG. 13

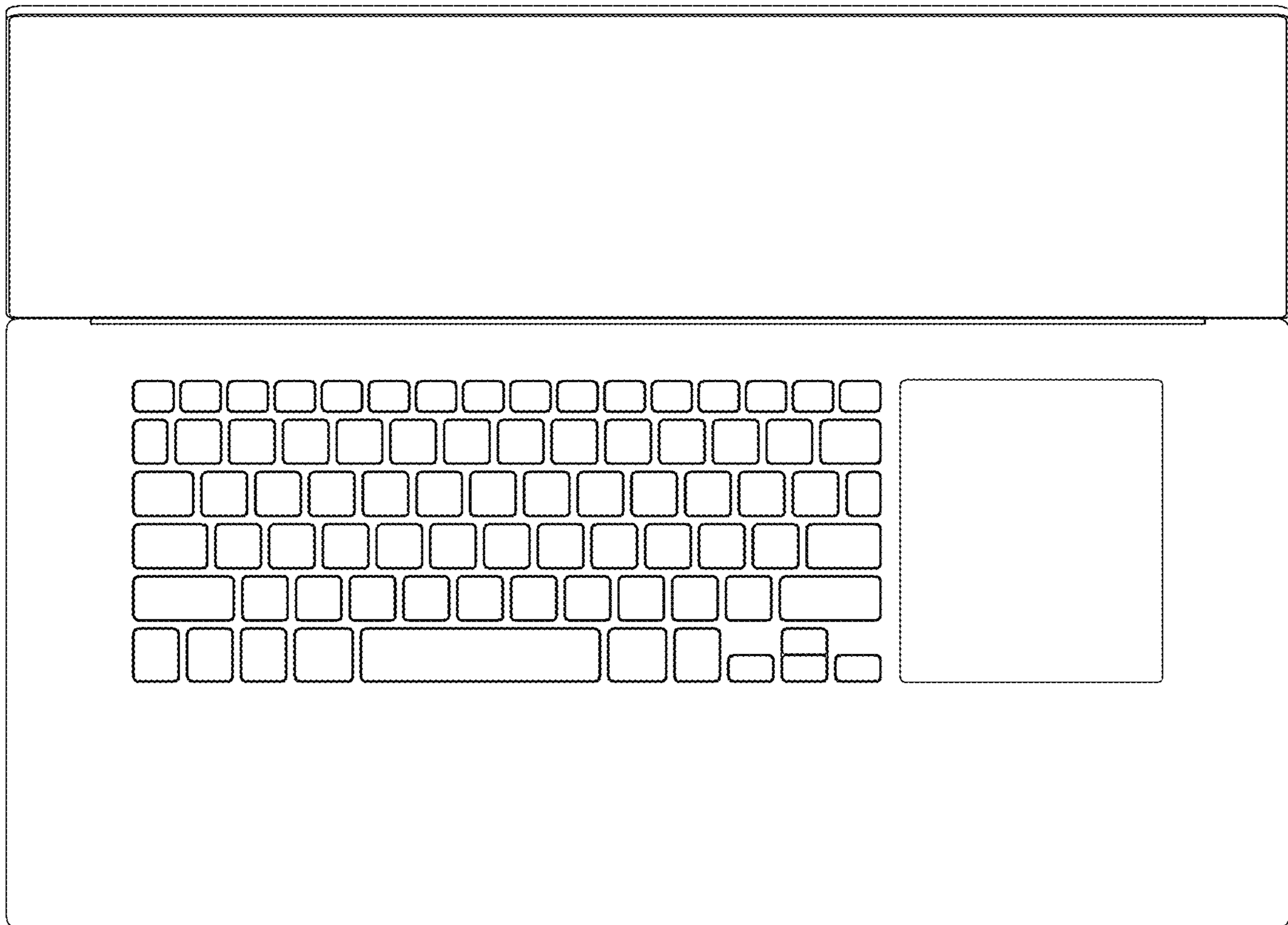


FIG. 14



FIG. 15

