

US00D954039S

(12) **United States Design Patent** (10) **Patent No.:** **US D954,039 S**
Liu et al. (45) **Date of Patent:** **** Jun. 7, 2022**

(54) **MOBILE PHONE SUPPORT**

(71) Applicant: **TALENT(TIANJIN)ELECTRONICS CO., LTD**, Tianjin (CN)

(72) Inventors: **Zhenping Liu**, Tianjin (CN); **Jing Chen**, Tianjin (CN); **Myungki Kim**, Tianjin (CN); **Yanxi Zong**, Tianjin (CN)

(73) Assignee: **TALENT (TIANJIN) ELECTRONICS CO., LTD**, Tianjin (CN)

(**) Term: **15 Years**

(21) Appl. No.: **29/718,959**

(22) Filed: **Dec. 30, 2019**

(51) **LOC (13) Cl.** **14-03**

(52) **U.S. Cl.**
USPC **D14/253**

(58) **Field of Classification Search**
USPC D14/251–253, 447, 452, 432–434, 440, D14/439, 254, 217, 224, 224.1, 238.1, D14/299, 451, 483, 250, 458; D12/415–426, 426.1, 114, 223; D3/218, D3/215, 201, 207, 208, 212, 247, 232; D16/242, 245, 208, 206, 218, 219, 243, D16/237; D8/349, 363, 306, 307, 352, D8/401; D2/624, 625, 627, 635, 632, D2/999; D7/620, 619.1, 602, 701; D6/553, 512

CPC ... A45C 11/00; A45F 5/00; A45F 5/10; A45F 2200/0516; A45F 2200/0525; A45F 2200/0533; A45F 2200/0508; A45F 2005/008; A47G 23/0216; B60R 11/00; B60R 11/02; B60R 11/0241; B60R 11/0252; B60R 2011/0005; B60R 2011/0008; F16B 2/06; F16M 11/00; F16M 11/04; F16M 11/06; F16M 11/2021; F16M 11/38; F16M 11/046; F16M 11/08; F16M 11/16; F16M 11/041; F16M 11/2014; F16M 13/00; G03B

17/561; G03B 17/563; H04M 1/02; H04M 1/04; H04M 1/11; H04M 1/15; H04M 1/026; H04M 1/0266; H04M 1/0281; H04M 1/0202; H04B 1/3877; H04B 1/3888; H04B 1/385; H01F 7/0252; H05K 5/0204; H04R 1/1033

See application file for complete search history.

(56) **References Cited**

U.S. PATENT DOCUMENTS

D386,610 S * 11/1997 Wright D3/207
D477,709 S * 7/2003 Natividad D3/215
8,950,715 B2 * 2/2015 Chiu F16M 11/041
248/126
D855,048 S * 7/2019 Kim D14/253

(Continued)

OTHER PUBLICATIONS

\$4.8 to Get a Wireless Charging-Free Finger Strap Ring Holder, announced Jan. 14, 2019, Lamicall.com , [online], [site visited Dec. 7, 2020], Available from internet URL: < https://www.lamicall.com/7-99-to-get-a-wireless-charging-free-finger-strap-ring-holder/ > (Year: 2019).*

Primary Examiner — Ramzi Almatrahi

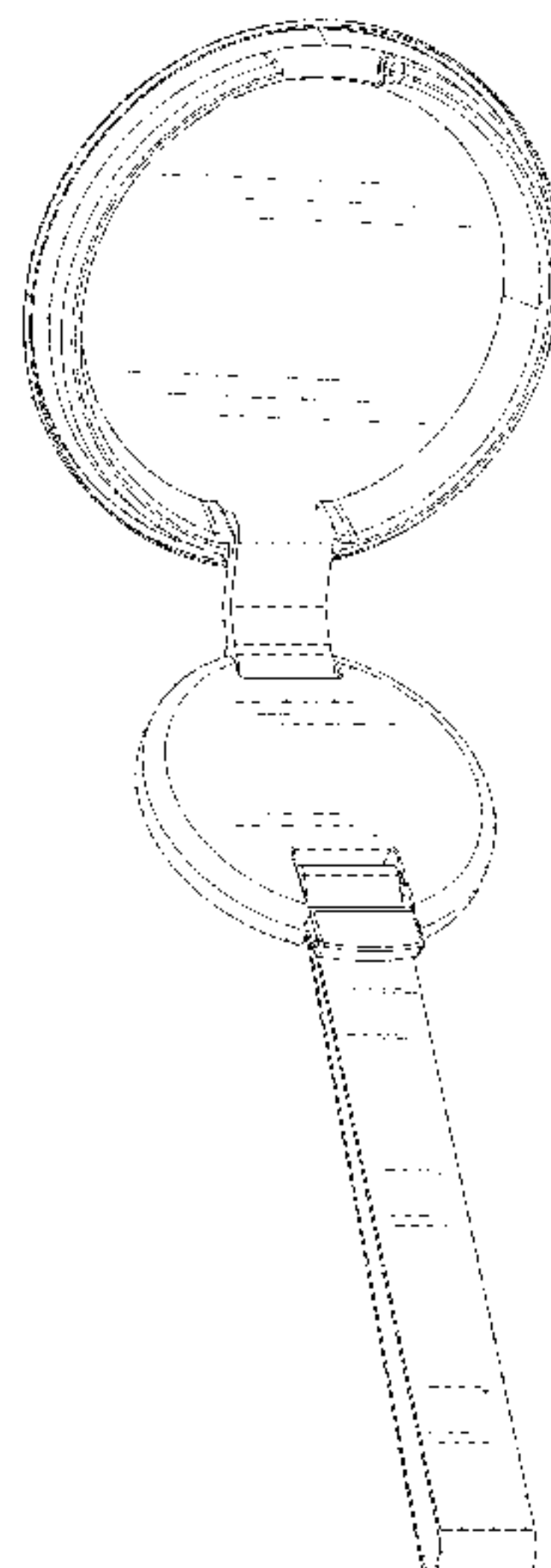
(57) **CLAIM**

The ornamental design for a mobile phone support, as shown and described.

DESCRIPTION

FIG. 1 is a perspective view of a mobile phone support, showing our new design;
FIG. 2 is a front elevation view thereof;
FIG. 3 is a rear elevation view thereof;
FIG. 4 is a left side elevation view thereof;
FIG. 5 is a right side elevation view thereof;
FIG. 6 is a top plan view thereof; and,
FIG. 7 is a bottom plan view thereof.

1 Claim, 6 Drawing Sheets



(56)

References Cited

U.S. PATENT DOCUMENTS

D866,546 S * 11/2019 Stillwell D14/253
D878,352 S * 3/2020 Yang D14/253
D885,376 S * 5/2020 He D14/253
2014/0364176 A1* 12/2014 Pintor H04B 1/385
455/575.6
2015/0257288 A1* 9/2015 Livernois H04B 1/3877
248/346.06
2016/0134733 A1* 5/2016 Murphy H04B 1/3888
455/575.6
2016/0353867 A1* 12/2016 Due A45F 5/00
2017/0055660 A1* 3/2017 Tien A45C 11/00
2019/0357661 A1* 11/2019 Walters, Jr. A45F 5/00

* cited by examiner

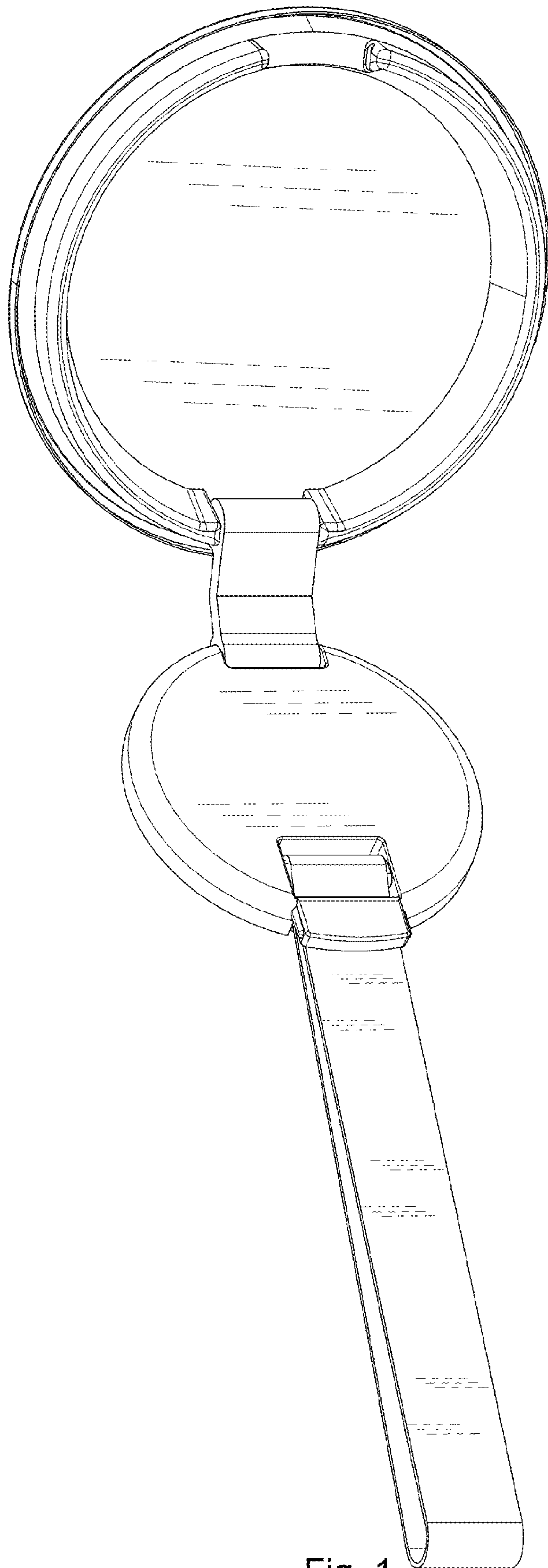


Fig. 1

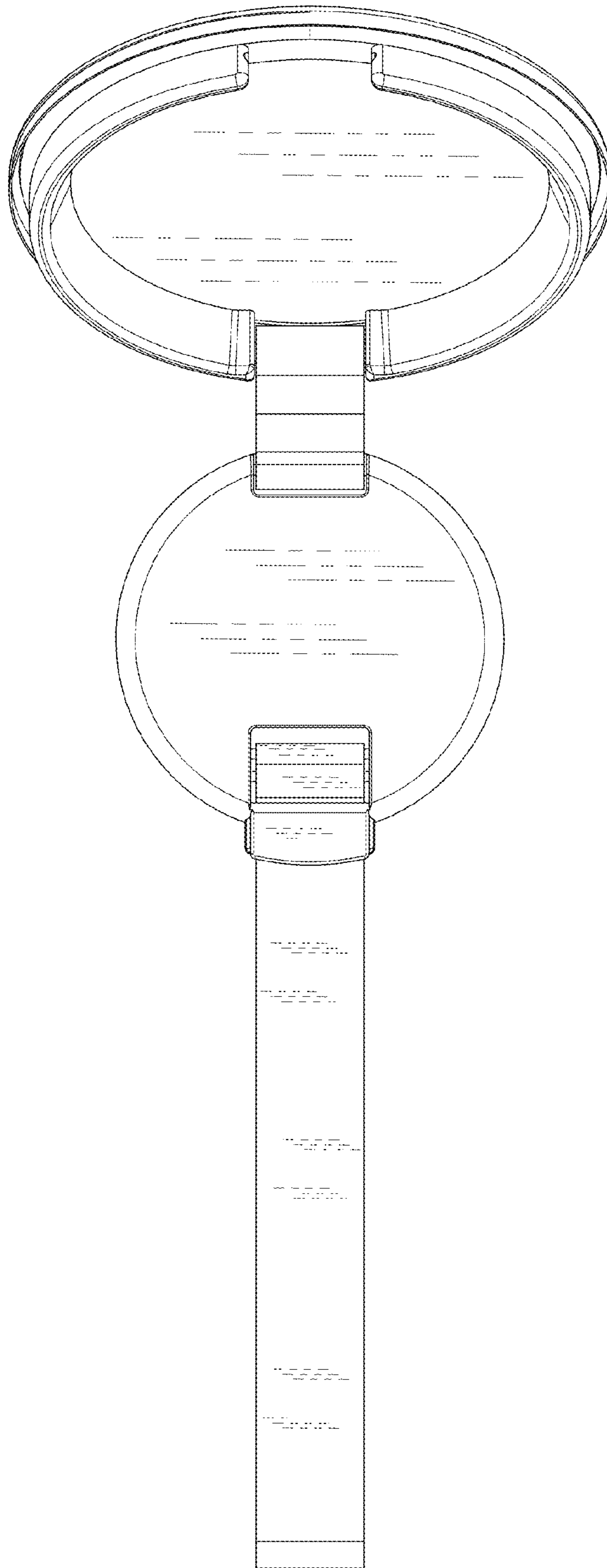


Fig. 2

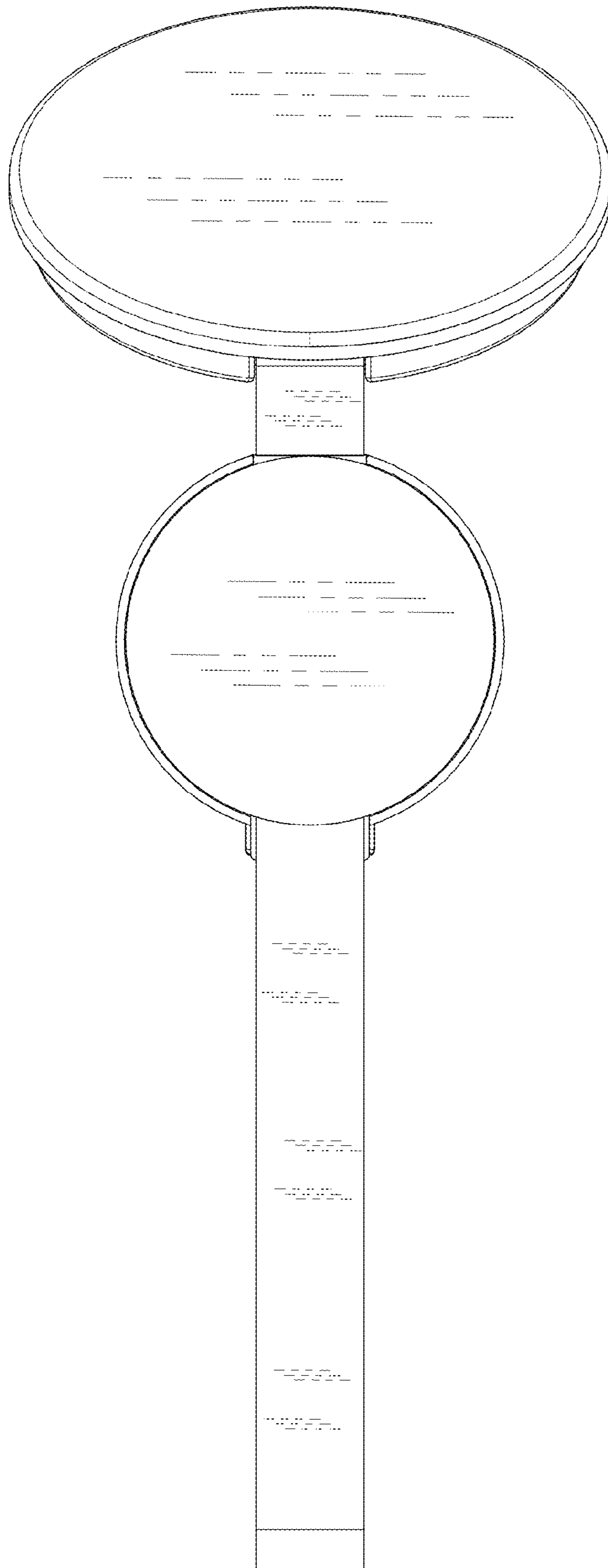


Fig. 3

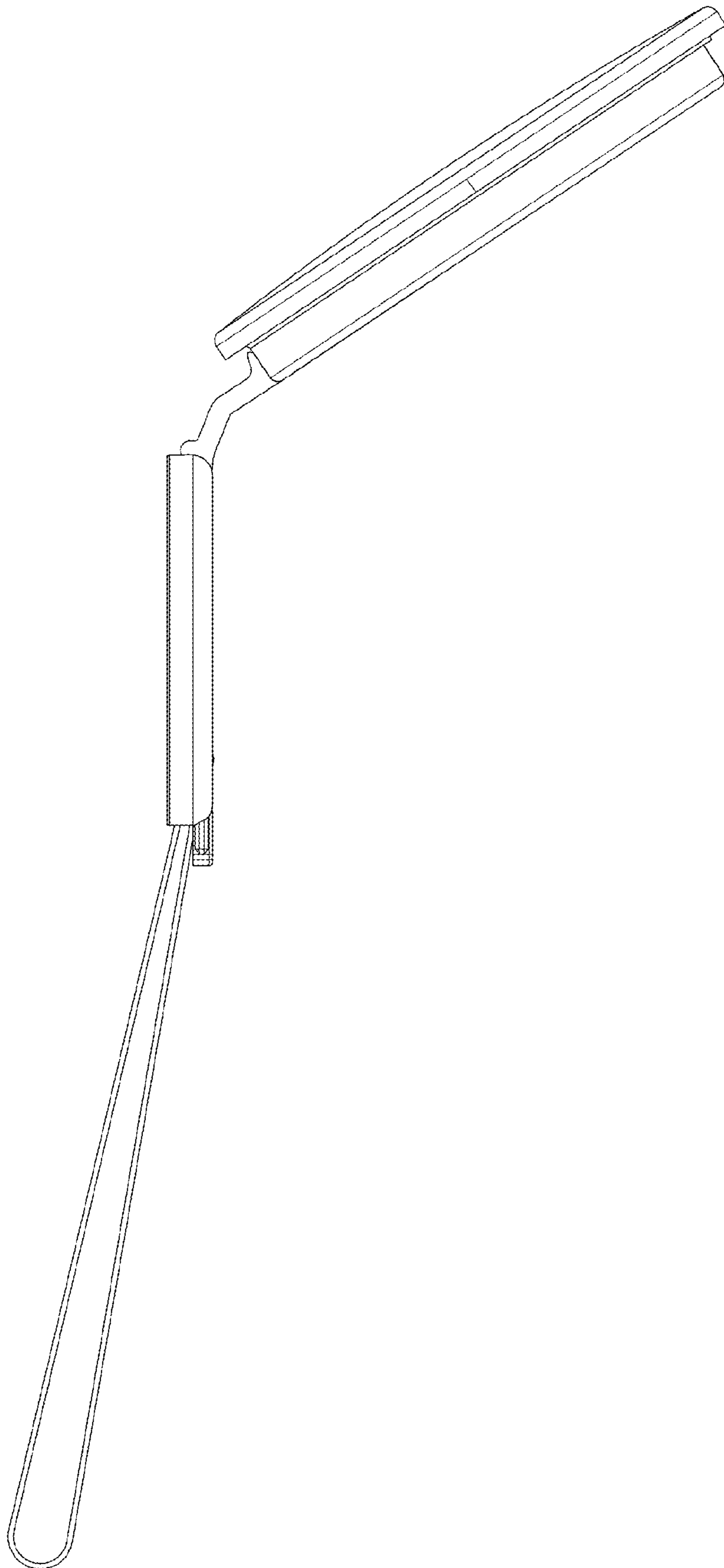


Fig. 4

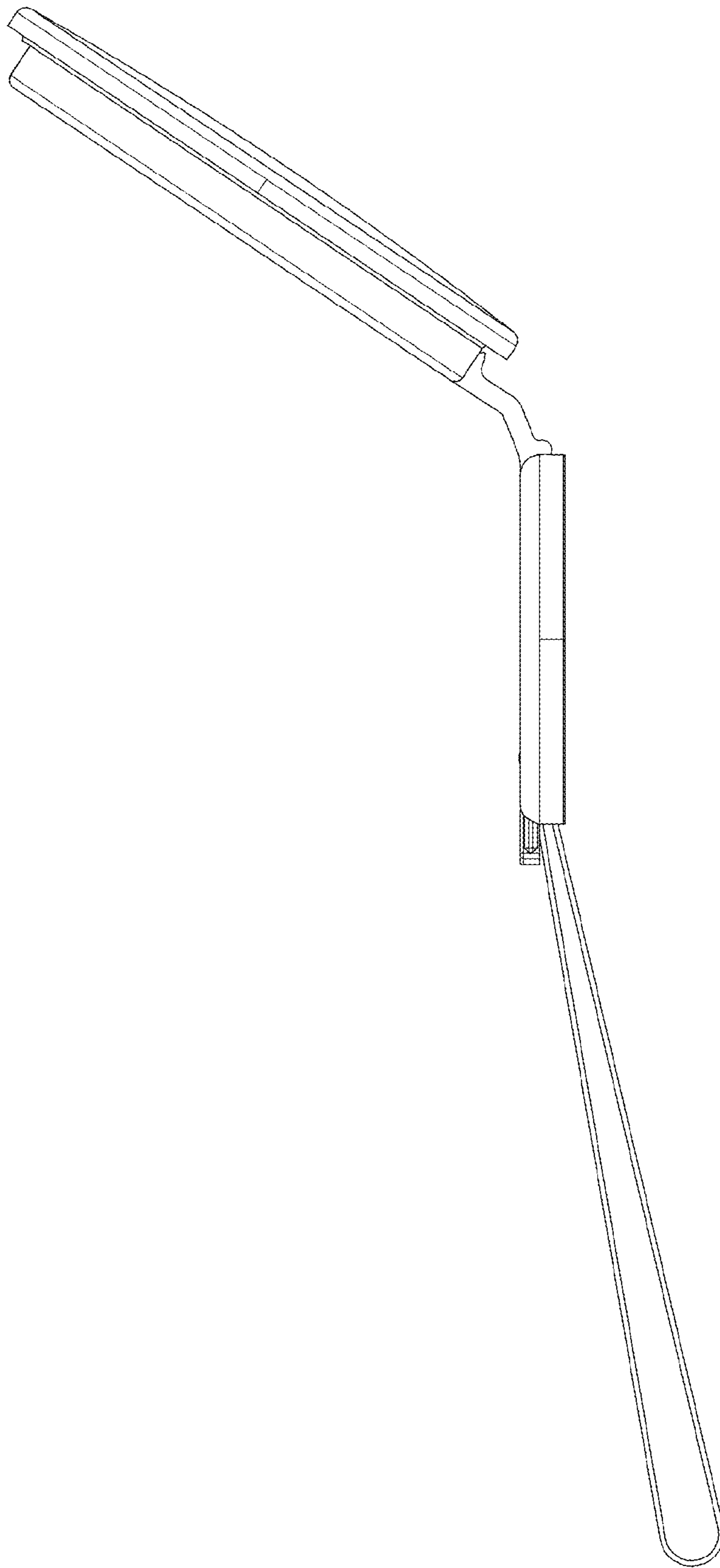


Fig. 5

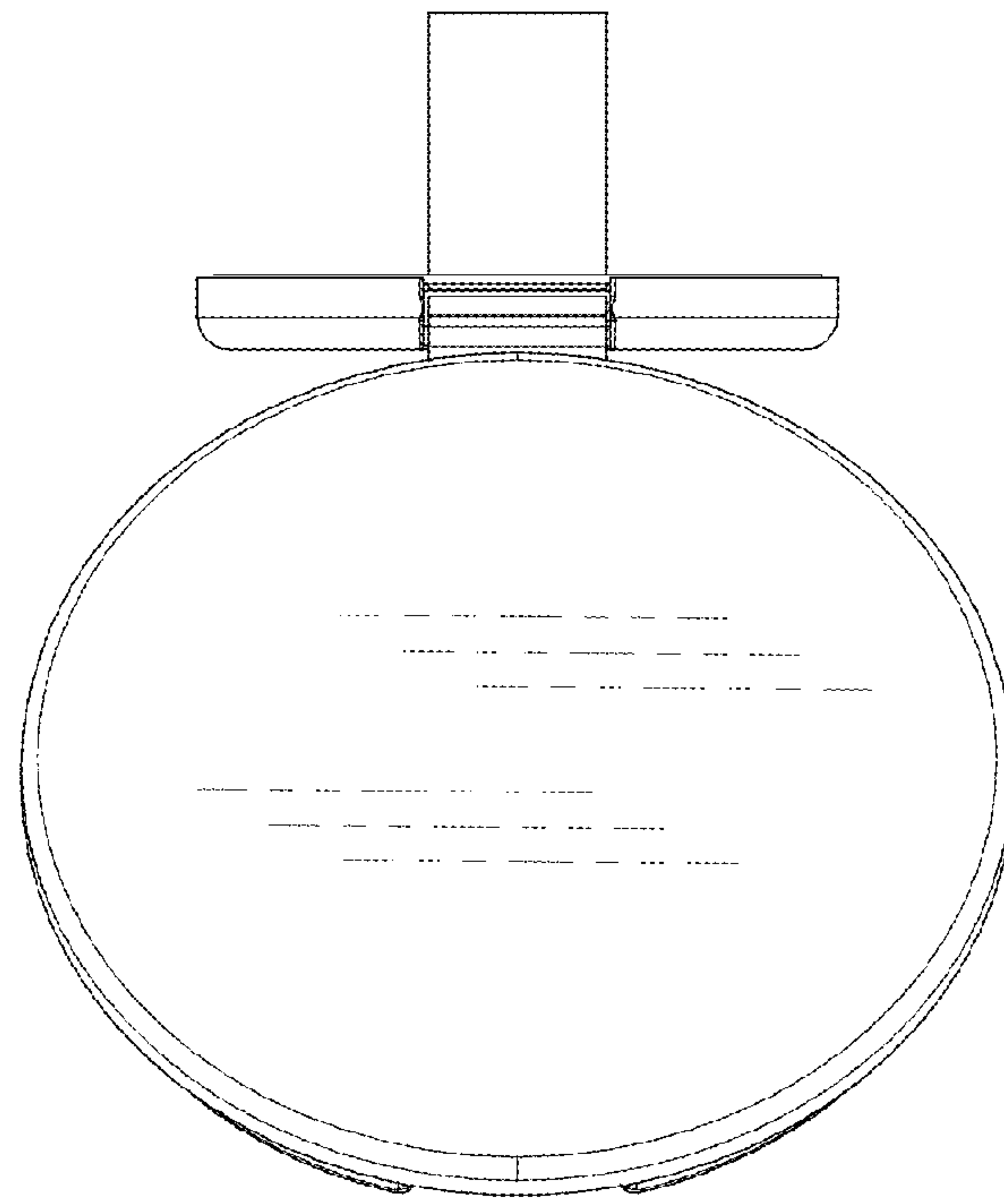


Fig. 6

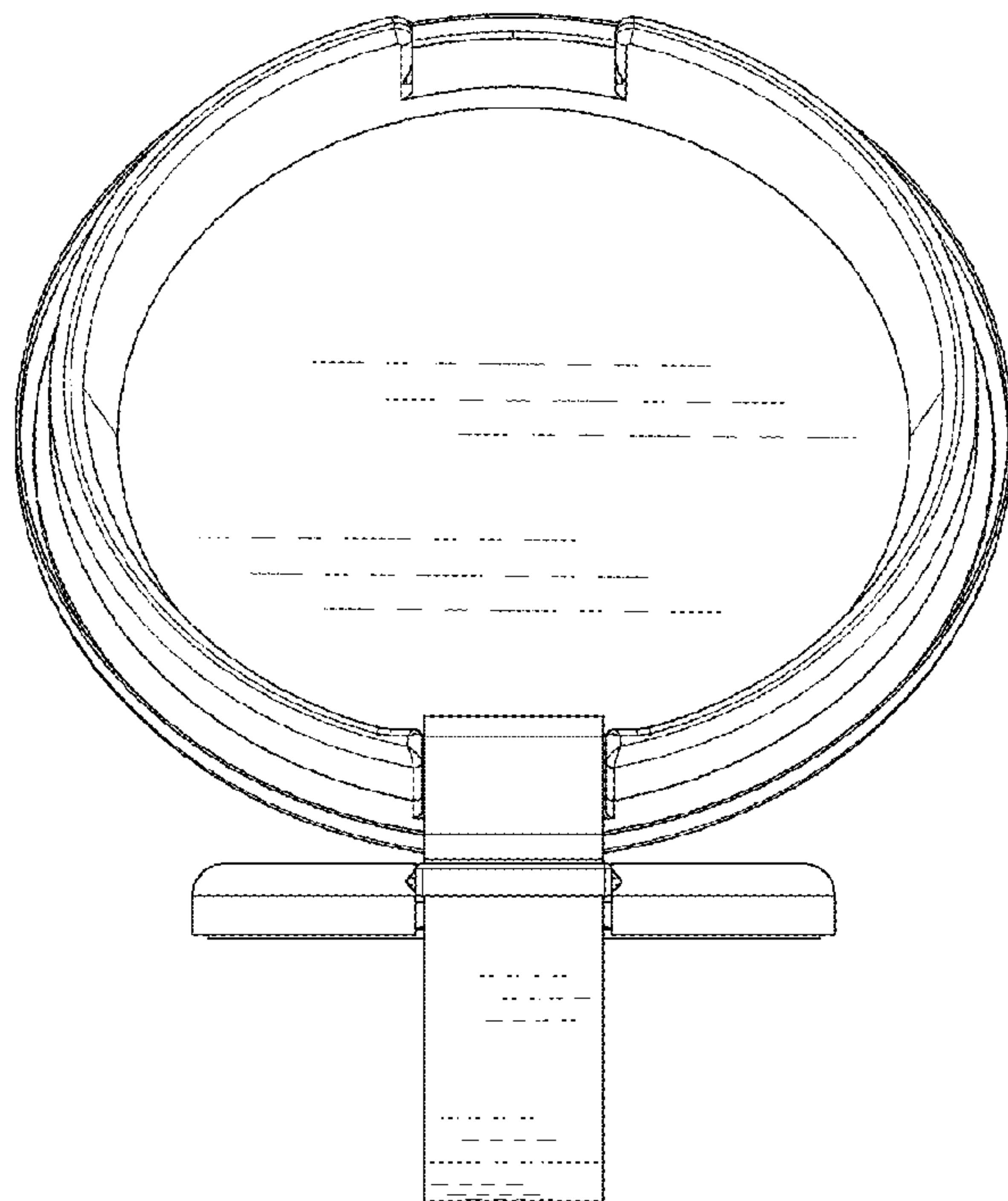


Fig. 7