



US00D954038S

(12) **United States Design Patent**
Zhong

(10) **Patent No.:** **US D954,038 S**

(45) **Date of Patent:** **** Jun. 7, 2022**

(54) **PHONE CASE**

(71) Applicant: **Yan Zhong**, Shenzhen (CN)

(72) Inventor: **Yan Zhong**, Shenzhen (CN)

(**) Term: **15 Years**

(21) Appl. No.: **29/800,172**

(22) Filed: **Jul. 19, 2021**

(51) **LOC (13) Cl.** **14-03**

(52) **U.S. Cl.**

USPC **D14/250**

(58) **Field of Classification Search**

USPC D14/203.3–203.7, 439, 251–253, 447,
D14/217, 240, 238.1, 440, 248, 250;
D13/103, 107–108, 119; D3/201, 218,
D3/247, 249, 269, 273, 301, 303

CPC H04B 1/3888; A45C 11/00; A45C 13/02;
A45C 2011/002; A45C 1/06; A45F
2200/0525; A45F 2005/026; A45F
2200/0516; H04M 1/0283; H04M 1/0202

See application file for complete search history.

(56) **References Cited**

U.S. PATENT DOCUMENTS

D589,953 S *	4/2009	Turner	D14/248
D647,518 S *	10/2011	Fathollahi	D14/250
D712,386 S *	9/2014	Lu	D14/250
D714,274 S *	9/2014	Jung	D14/250
D727,843 S *	4/2015	Miller	D13/103
D737,263 S *	8/2015	Armstrong	D14/250
D785,612 S *	5/2017	Kim	D14/248
D786,225 S *	5/2017	Kim	D14/248
D816,650 S *	5/2018	Jia	D14/250
D831,030 S *	10/2018	Gao	D14/440
D831,636 S *	10/2018	Zhu	D14/250
D835,089 S *	12/2018	Nelson	D14/250
D841,639 S *	2/2019	Liao	D14/250
D841,640 S *	2/2019	Huang	D14/250

D845,293 S *	4/2019	Barfoot	D14/250
D849,734 S *	5/2019	Wu	D14/250
D850,451 S *	6/2019	Chen	D14/440
D850,457 S *	6/2019	Jin	G06F 1/1626 D14/440
D852,203 S *	6/2019	Rui	D14/447
D858,503 S *	9/2019	Qi	D14/250
D892,100 S	8/2020	Kim		
D902,216 S *	11/2020	Xu	D14/440

(Continued)

Primary Examiner — Carla J Wright

(57) **CLAIM**

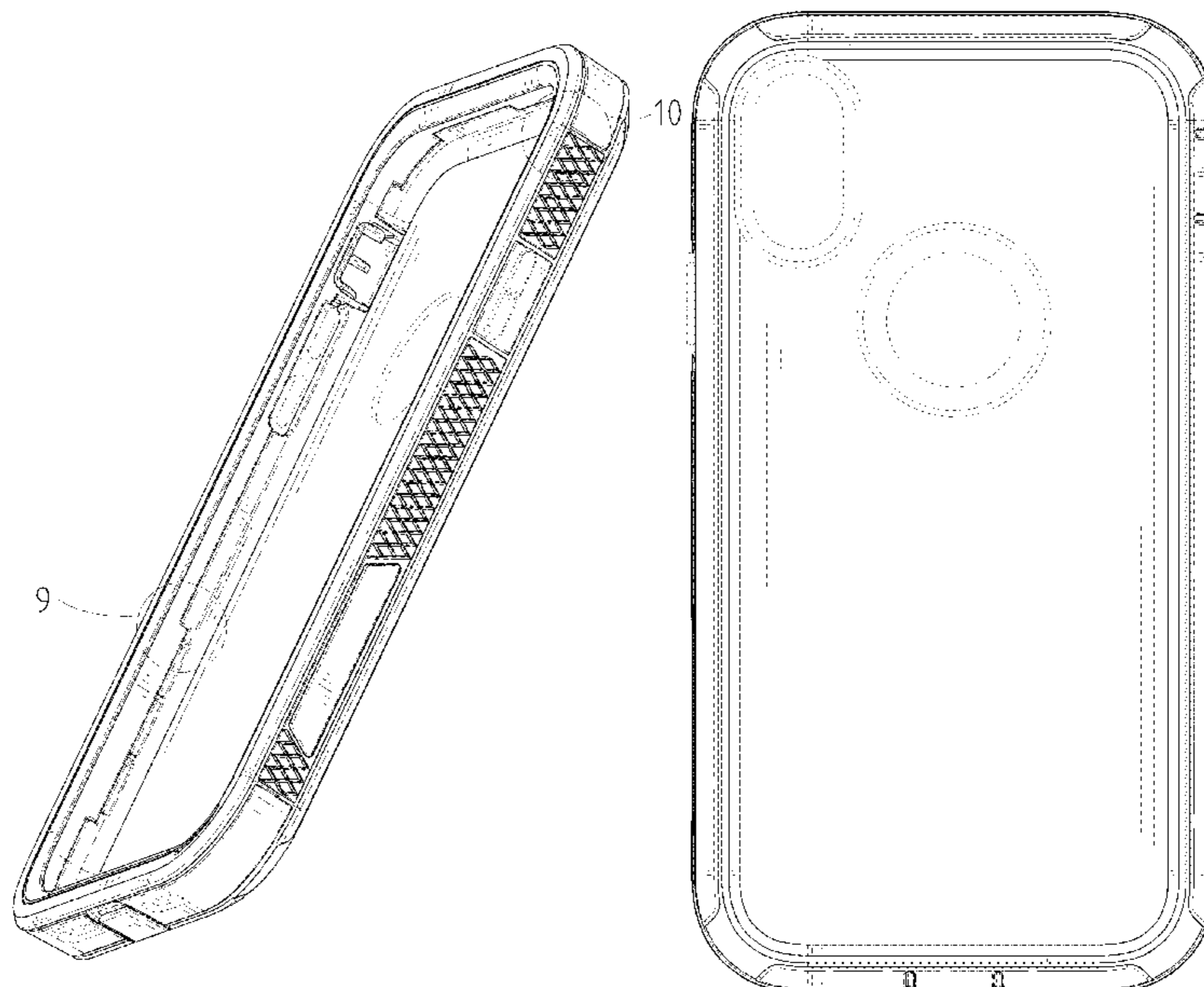
The ornamental design for a phone case, as shown and described.

DESCRIPTION

FIG. 1 is a front, right-side, and bottom perspective view of a phone case showing my new design;
 FIG. 2 is a back, left-side, and top perspective view thereof;
 FIG. 3 is a front view thereof;
 FIG. 4 is a back view thereof;
 FIG. 5 is a left side view thereof;
 FIG. 6 is a right side view thereof;
 FIG. 7 is a top view thereof;
 FIG. 8 is a bottom view thereof;
 FIG. 9 is an enlarged view of the selected portion in FIG. 1;
 FIG. 10 is an enlarged view of the selected portion in FIG. 1; and,
 FIG. 11 is an enlarged view of the selected portion in FIG. 2.

The dot-dash broken lines in FIGS. 1-2 and 9-11 form no part of the claimed design and delineate portions of the phone case that are part of the claimed design and that are shown on an enlarged scale in FIGS. 9-11. The dashed broken lines throughout the drawing figures form no part of the claimed design and depict portions of the phone case that form no part of the claimed design.

1 Claim, 11 Drawing Sheets



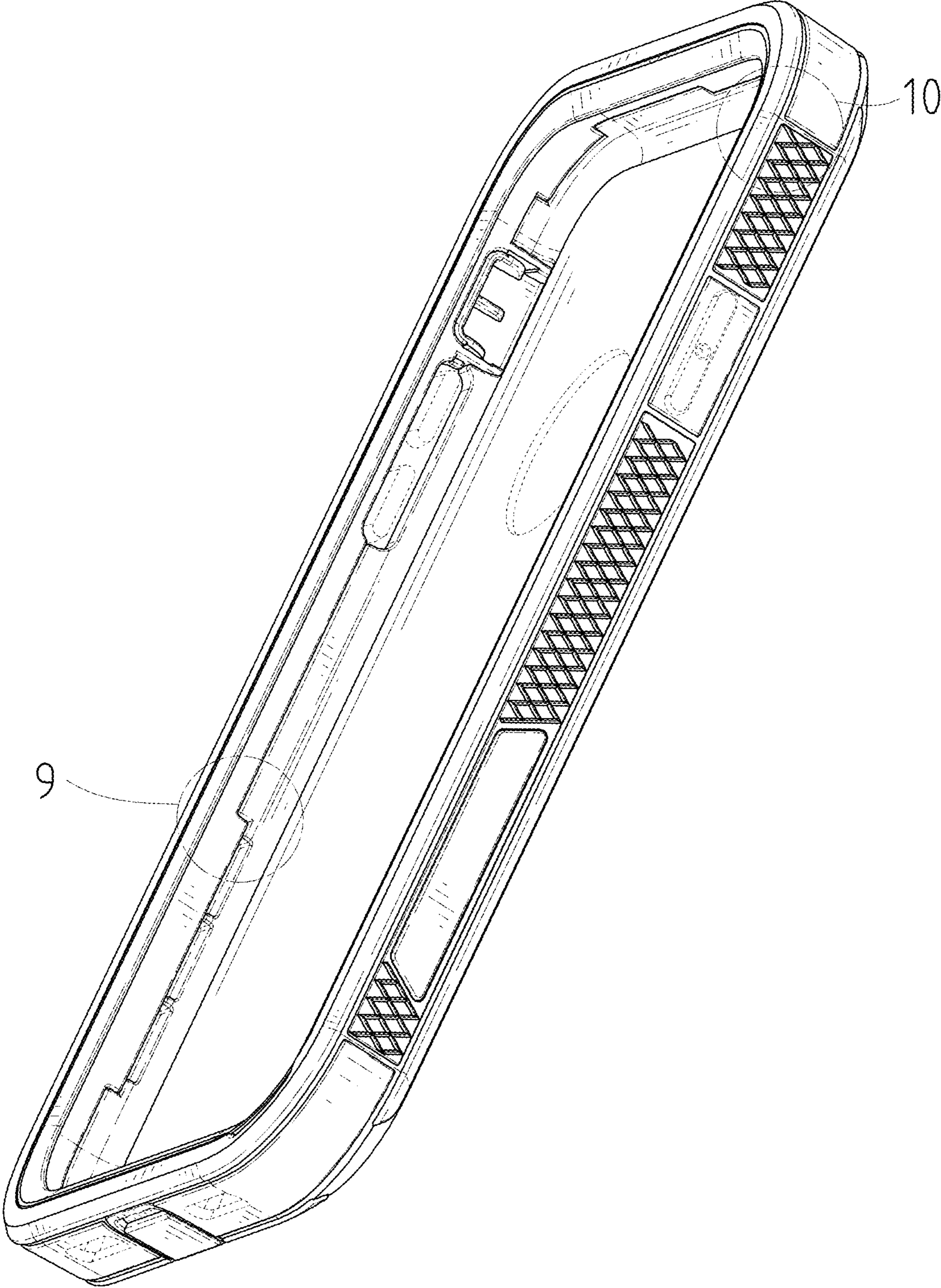
(56)

References Cited

U.S. PATENT DOCUMENTS

D903,650	S	12/2020	Huang	
D904,385	S *	12/2020	Weng	D14/250
D906,308	S *	12/2020	Selden	D14/250
D917,451	S	4/2021	Ng	
D927,475	S *	8/2021	Zhang	D14/250
D930,002	S *	9/2021	Zhou	D14/440
2015/0188210	A1 *	7/2015	Asrani	H01Q 9/145 455/575.7

* cited by examiner



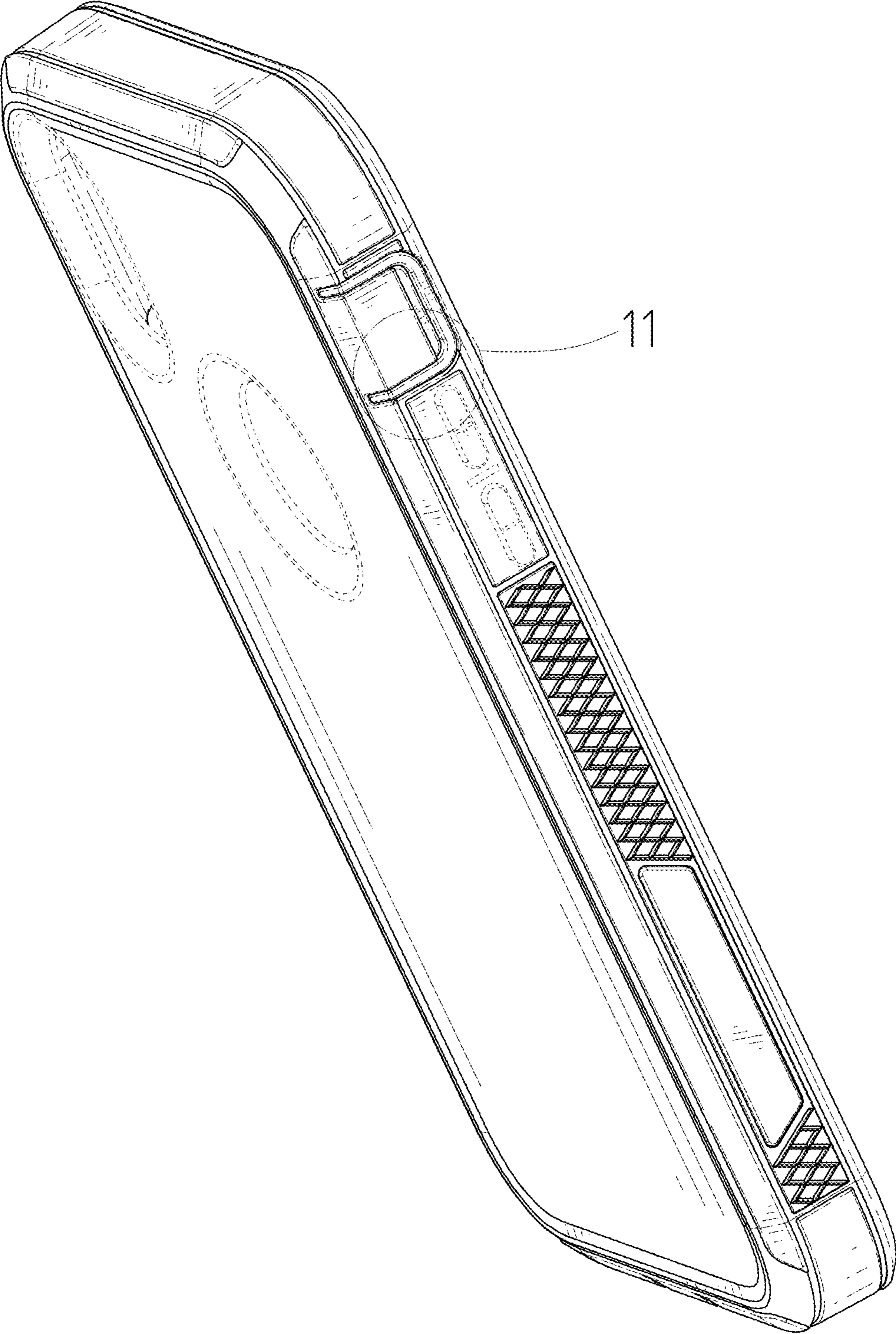


FIG. 2

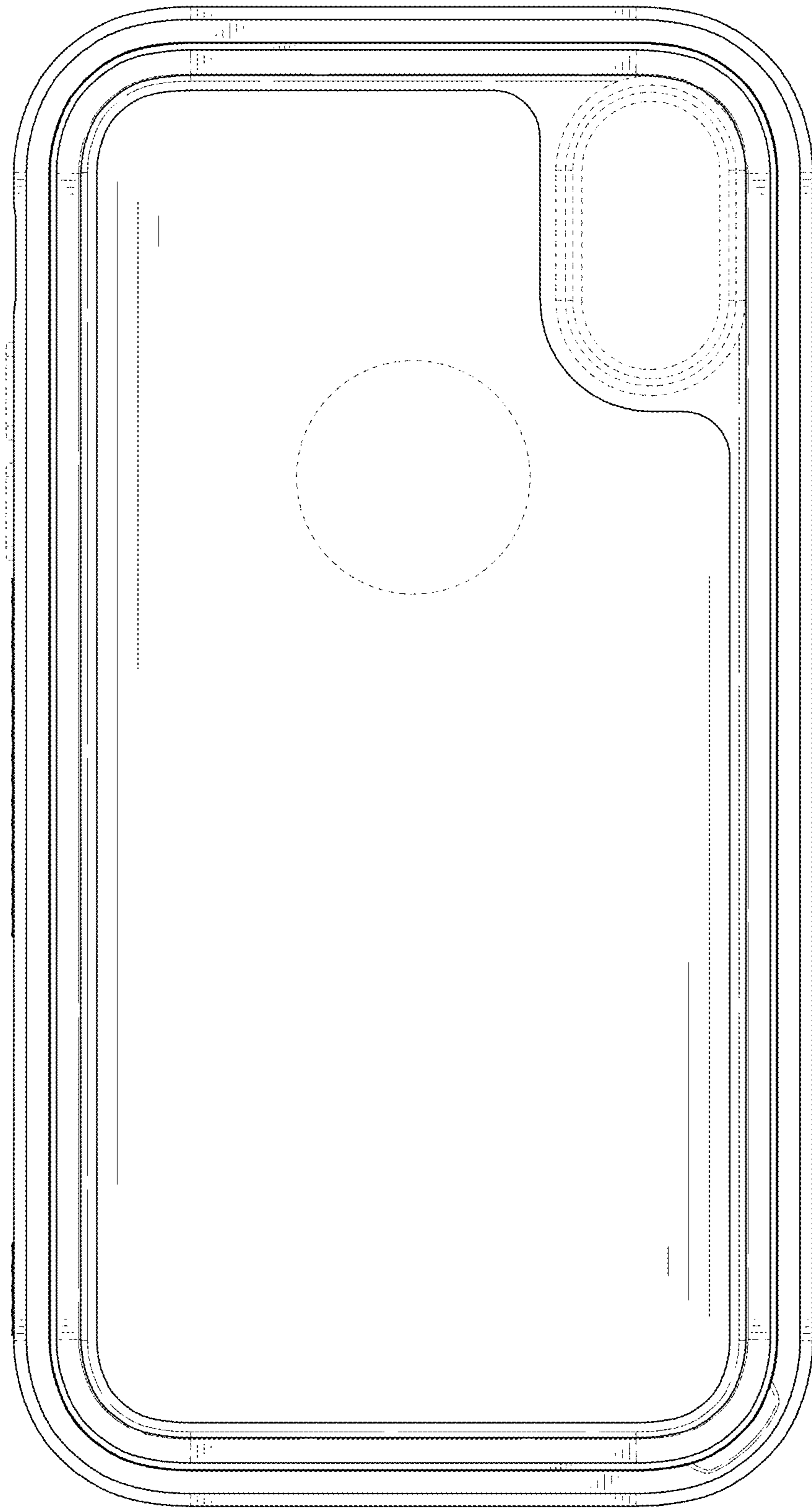


FIG. 3

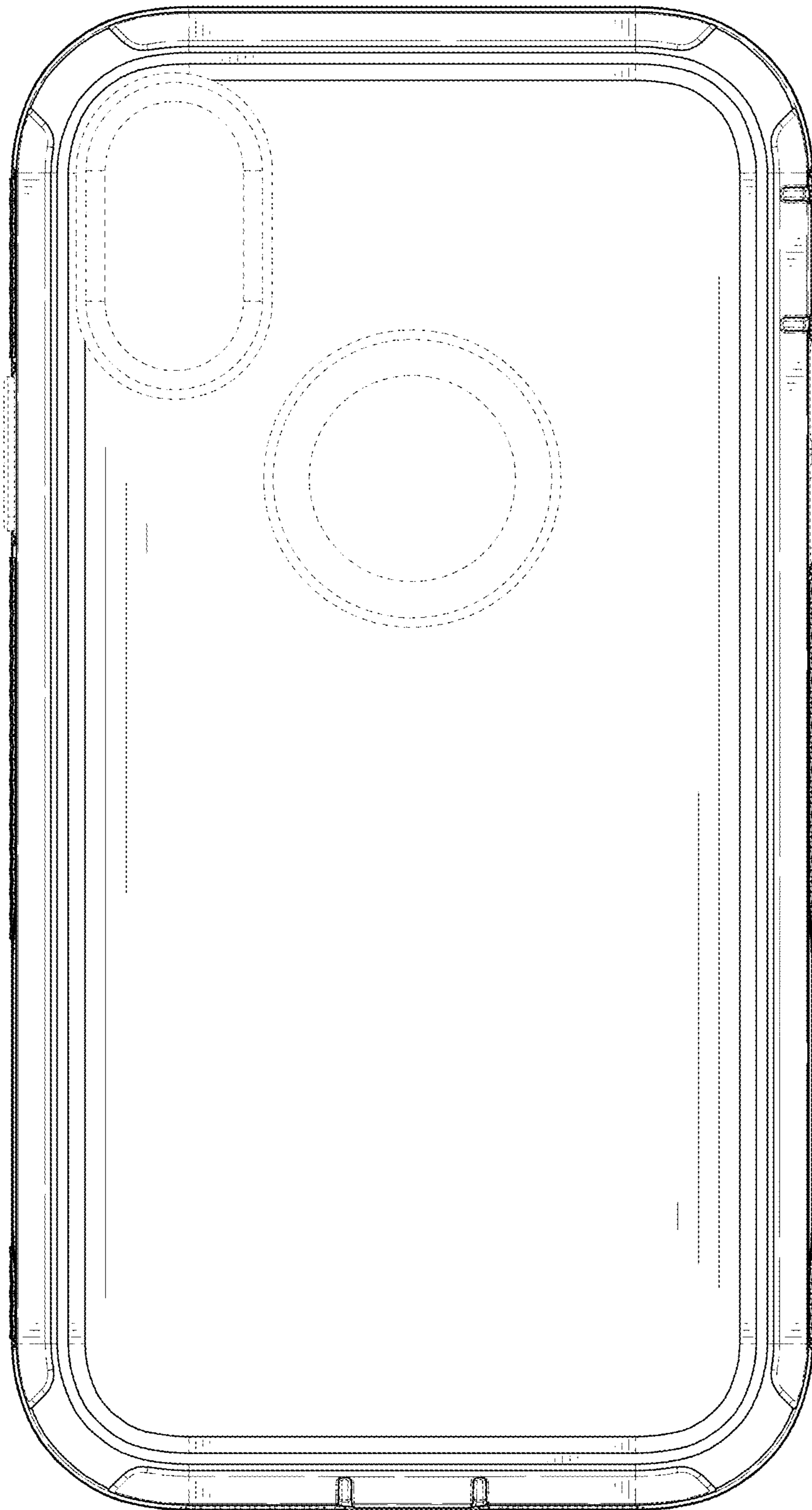


FIG. 4

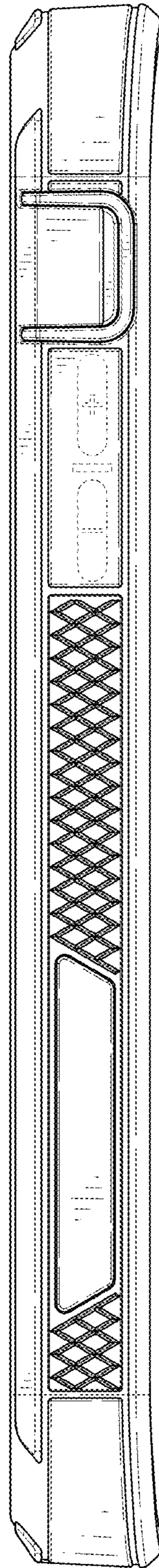


FIG. 5

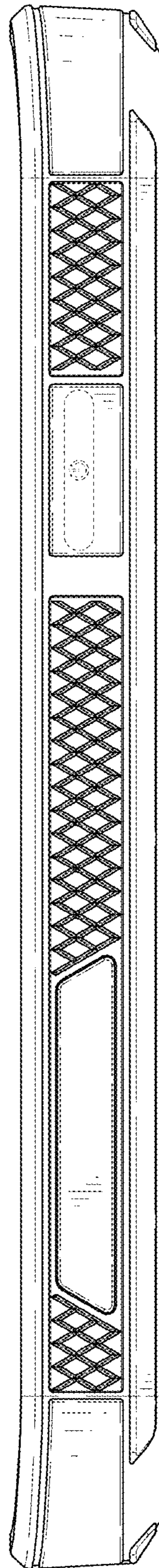


FIG. 6

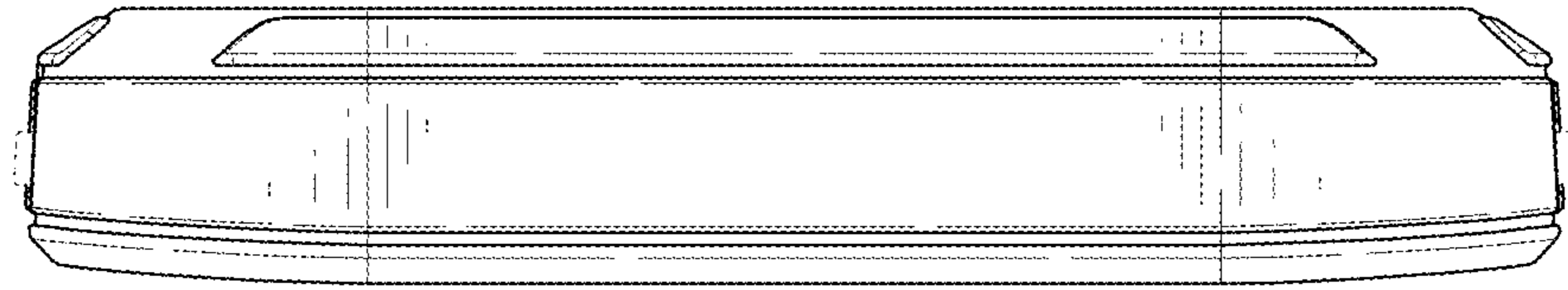


FIG. 7

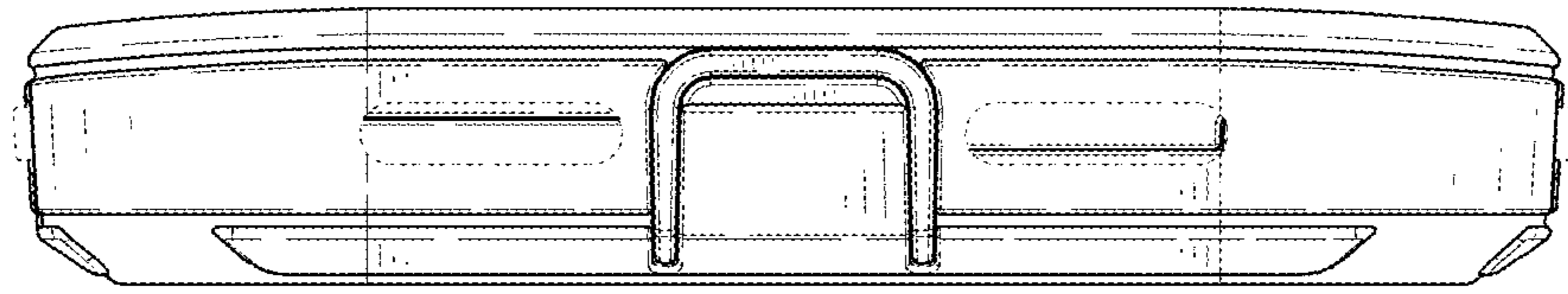


FIG. 8

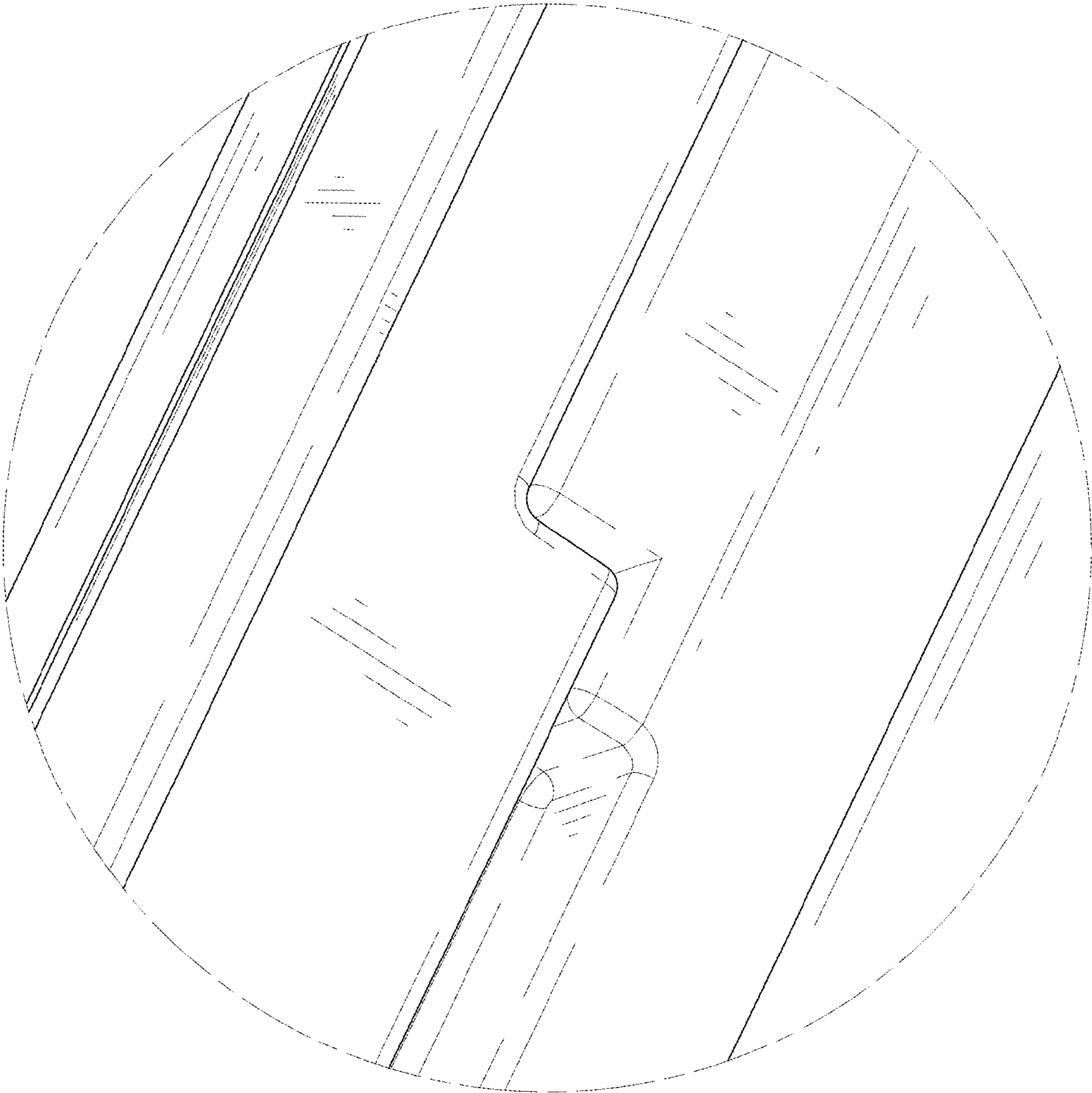


FIG. 9

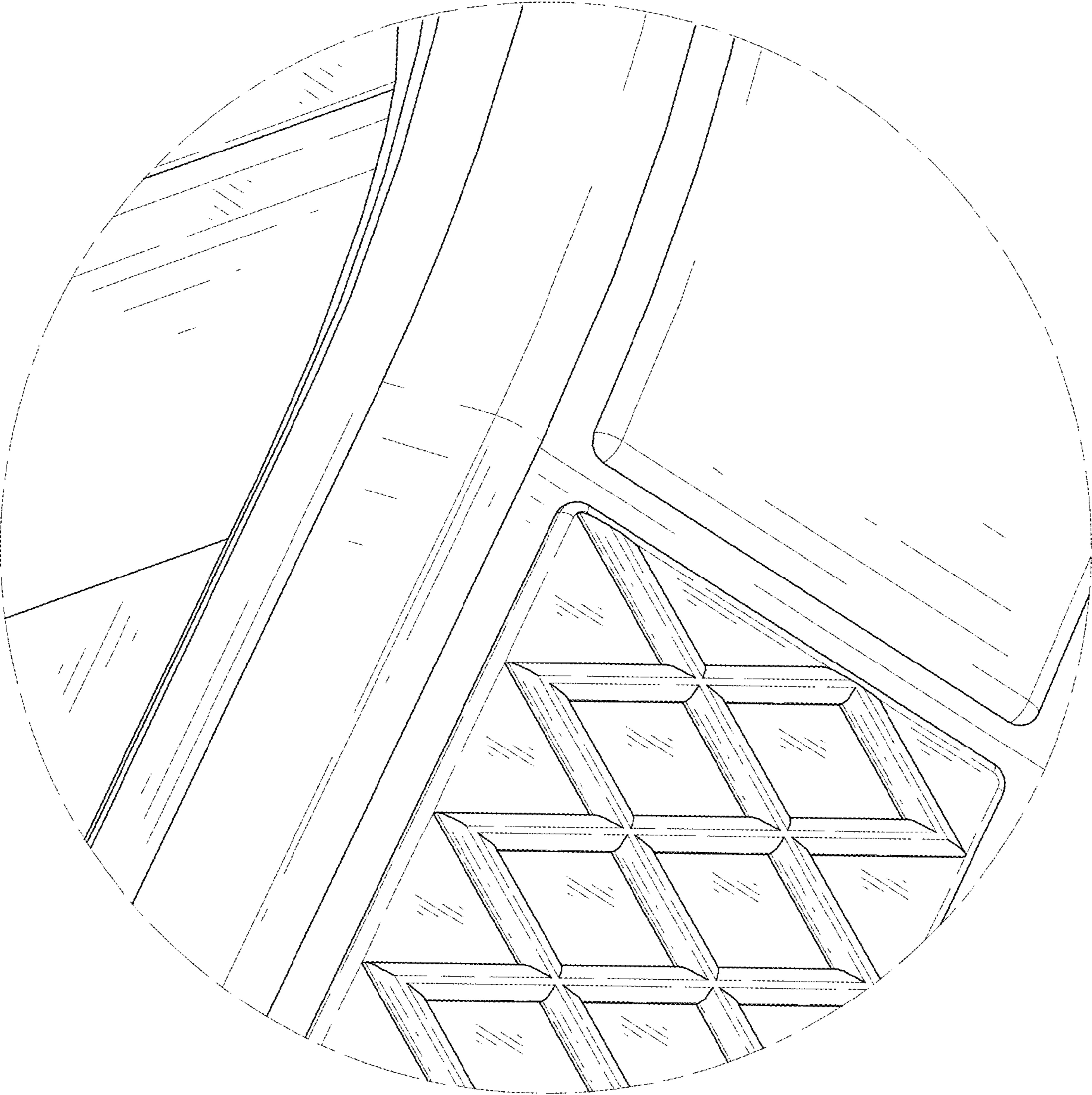


FIG. 10

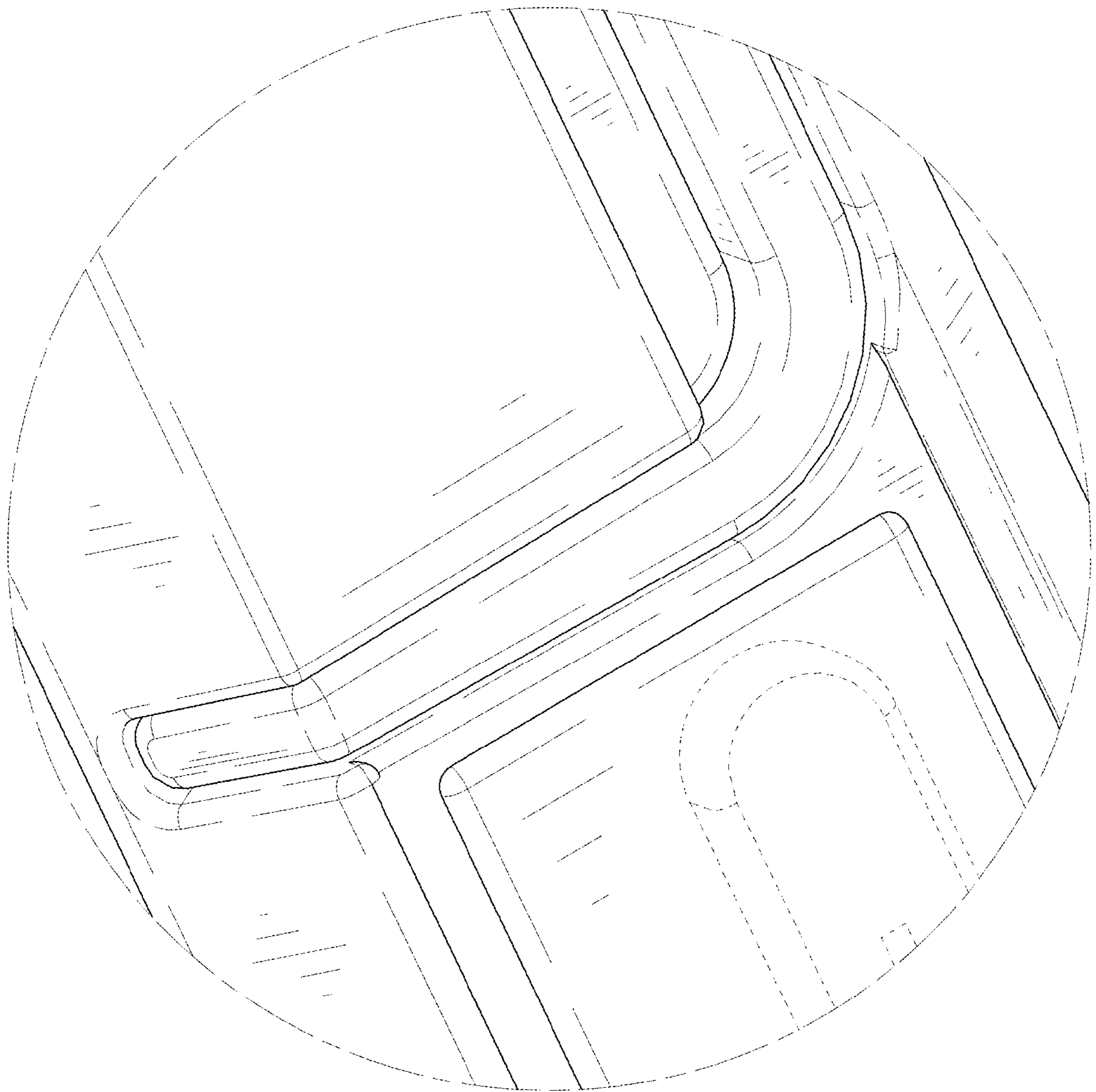


FIG. 11