



US00D954037S

(12) **United States Design Patent**
Liu

(10) **Patent No.:** **US D954,037 S**
(45) **Date of Patent:** **** Jun. 7, 2022**

(54) **MOBILE TELEPHONE COVER**

Primary Examiner — Carla J Wright

(71) Applicant: **Shenzhen Yu Jia Technology Co., Ltd.**, Shenzhen (CN)

(57) **CLAIM**

The ornamental design for a mobile telephone cover, as shown and described.

(72) Inventor: **Yu Liu**, Tianmen (CN)

(**) Term: **15 Years**

DESCRIPTION

(21) Appl. No.: **29/783,676**

FIG. 1 is a front, right-side, and top perspective view of a mobile telephone cover showing my new design;

(22) Filed: **May 14, 2021**

FIG. 2 is a back, left-side, and bottom perspective view thereof;

(30) **Foreign Application Priority Data**

Apr. 20, 2021 (CN) 202130227257.1

FIG. 3 is a front view thereof;

(51) **LOC (13) Cl.** **14-03**

FIG. 4 is a back view thereof;

(52) **U.S. Cl.**

USPC **D14/250**

FIG. 5 is a left side view thereof;

(58) **Field of Classification Search**

USPC D14/203.3–203.7, 439, 251–253, 447, D14/217, 240, 238.1, 440, 248, 250; D13/103, 107–108, 119; D3/201, 218, D3/247, 249, 269, 273, 301, 303

FIG. 6 is a right side view thereof;

CPC H04B 1/3888; A45C 11/00; A45C 13/02; A45C 2011/002; A45C 1/06; A45F 2200/0525; A45F 2005/026; A45F 2200/0516; H04M 1/0283; H04M 1/0202

FIG. 7 is a top view thereof;

See application file for complete search history.

FIG. 8 is a bottom view thereof;
FIG. 9 is a front, right-side, and top perspective view thereof showing the claimed design with an environmental component of the mobile telephone cover and in a separated state therefrom;

(56) **References Cited**

U.S. PATENT DOCUMENTS

D379,262 S *	5/1997	Seigel	D3/218
D465,087 S *	11/2002	Shapiro	D3/303
D497,051 S *	10/2004	Nieves	D3/301
D651,791 S *	1/2012	Cataldo	D3/218
D654,931 S *	2/2012	Lemelman	H02J 7/0045 D14/496
D669,268 S *	10/2012	Phillips	D3/301
D669,270 S *	10/2012	Phillips	D3/301
D684,367 S *	6/2013	Phillips	D3/301

(Continued)

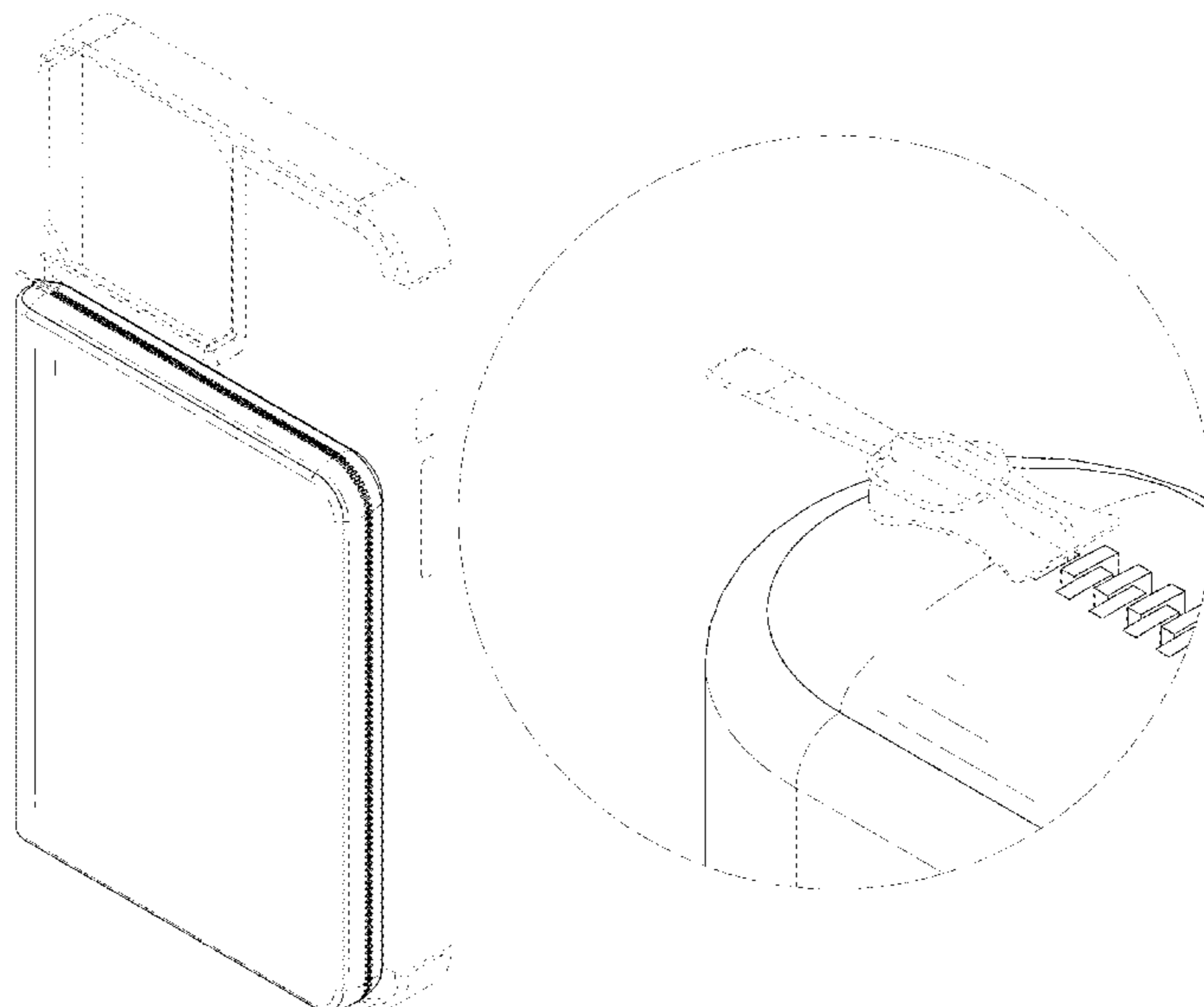
FIG. 10 is a front, right-side, and top perspective view thereof showing the claimed design with the environmental component of the mobile telephone cover and in an attached state thereto;

FIG. 11 is a front, right-side, and top perspective view thereof showing the claimed design with the environmental component of the mobile telephone cover, in the attached state thereto, and in an open configuration; and,

FIG. 12 is an enlarged view of the selected portion in FIG. 1.

The dot-dash broken lines in FIGS. 1 and 12 form no part of the claimed design and delineate a portion of the mobile telephone cover, including claimed subject matter, that is shown on an enlarged scale in FIG. 12. The dash-dash broken lines throughout the drawing figures form no part of the claimed design and depict portions of the mobile telephone cover in which the design is embodied that form no part of the claimed design.

1 Claim, 12 Drawing Sheets



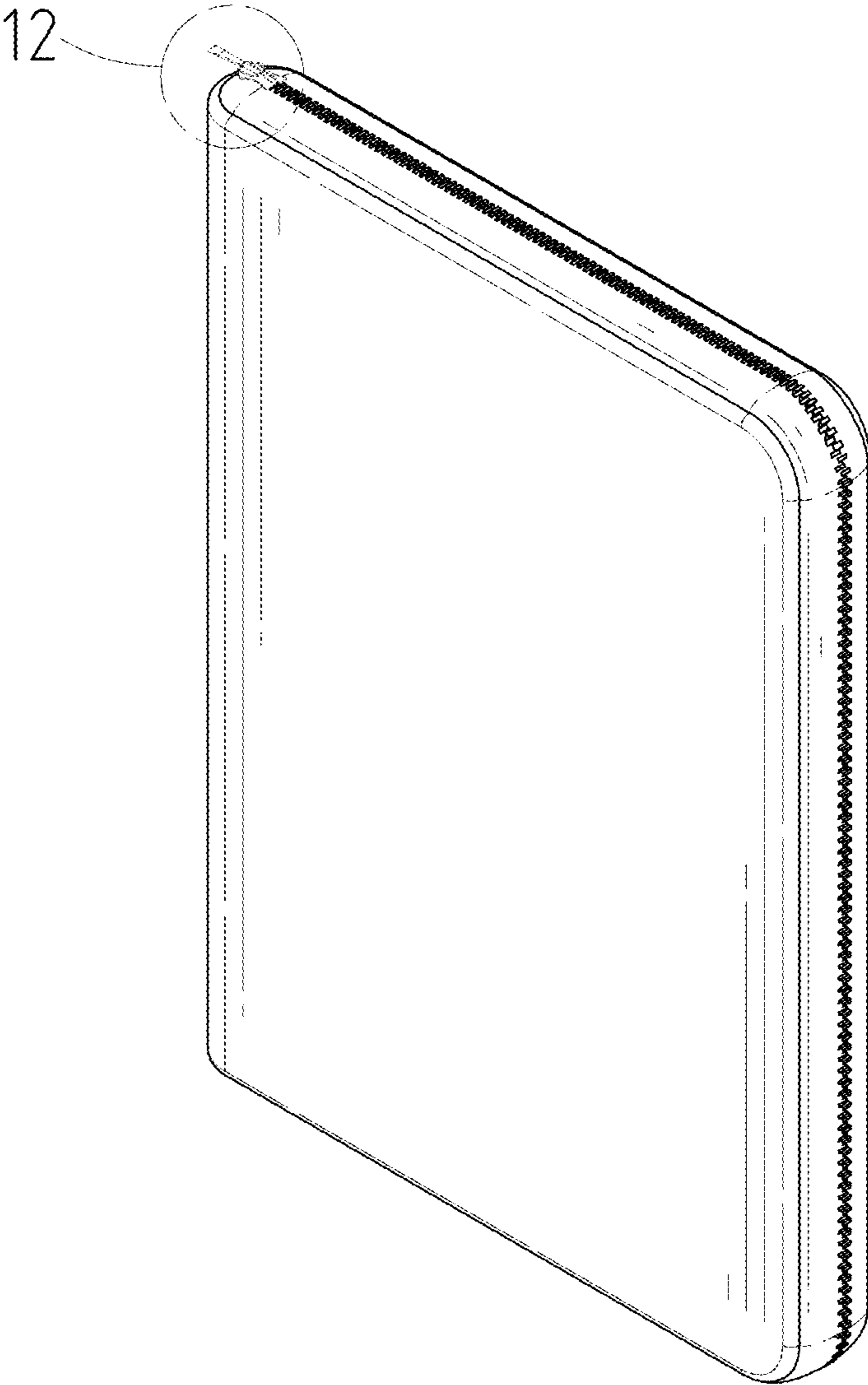


FIG. 1

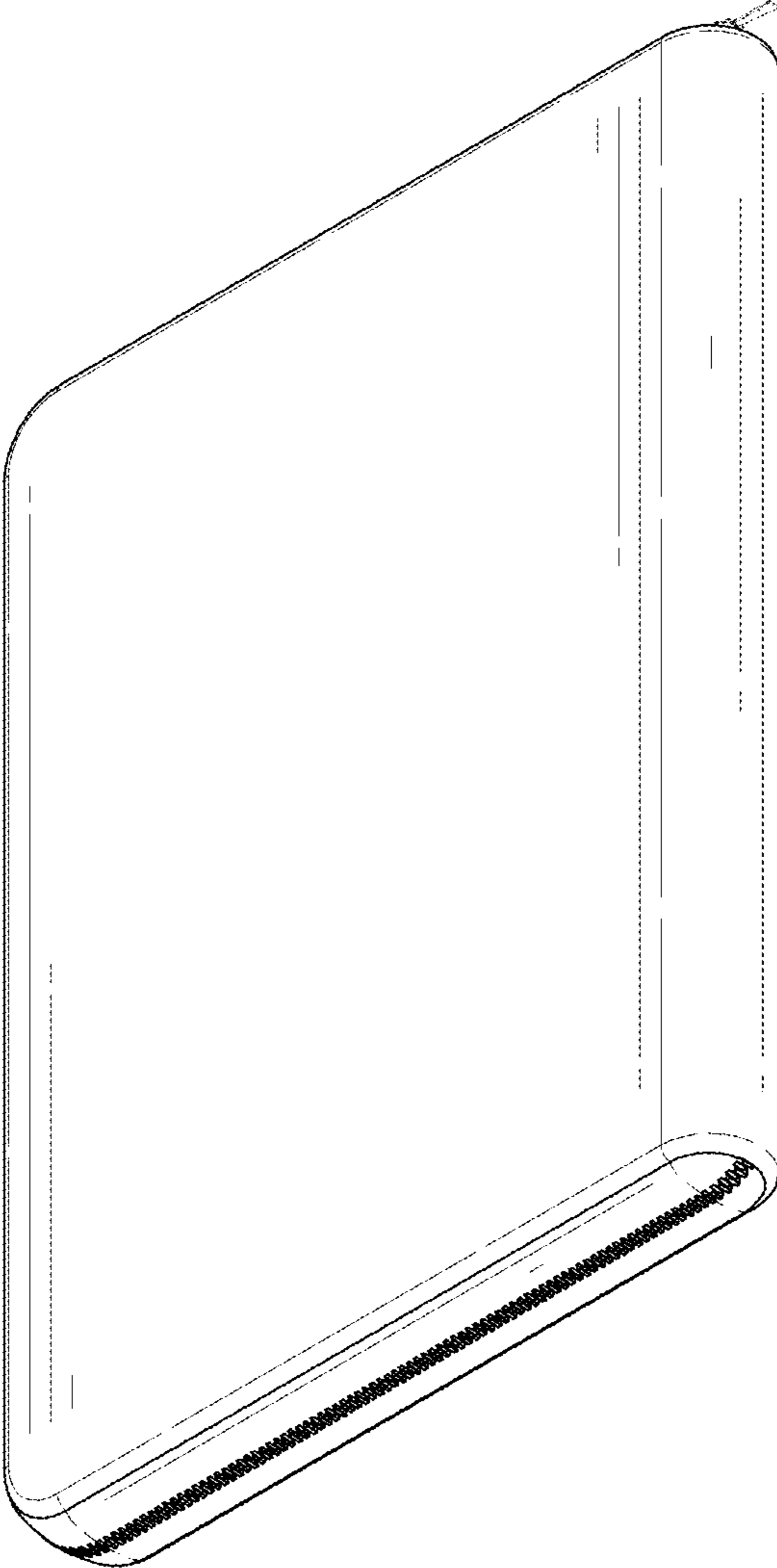


FIG. 2

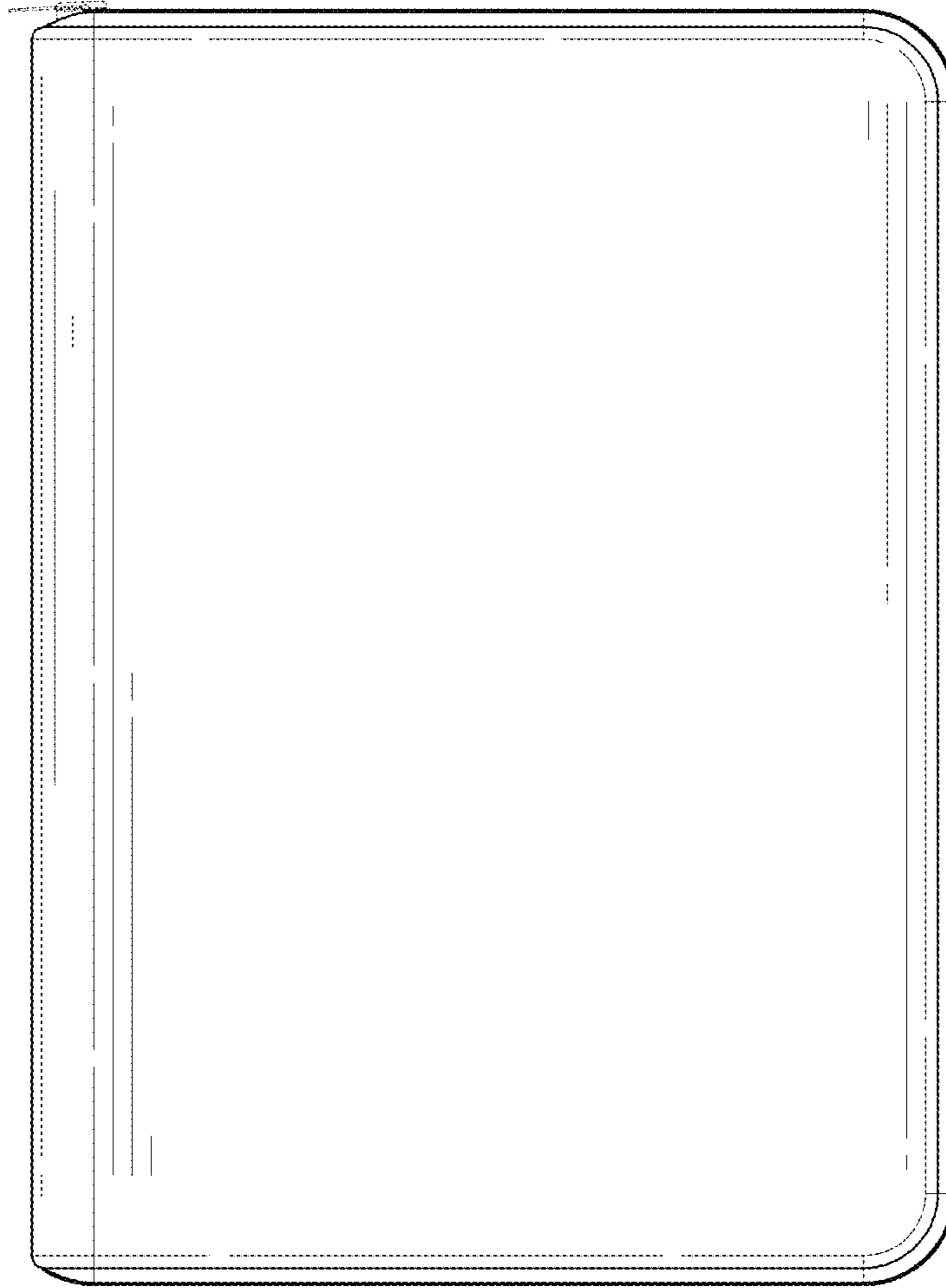


FIG. 3

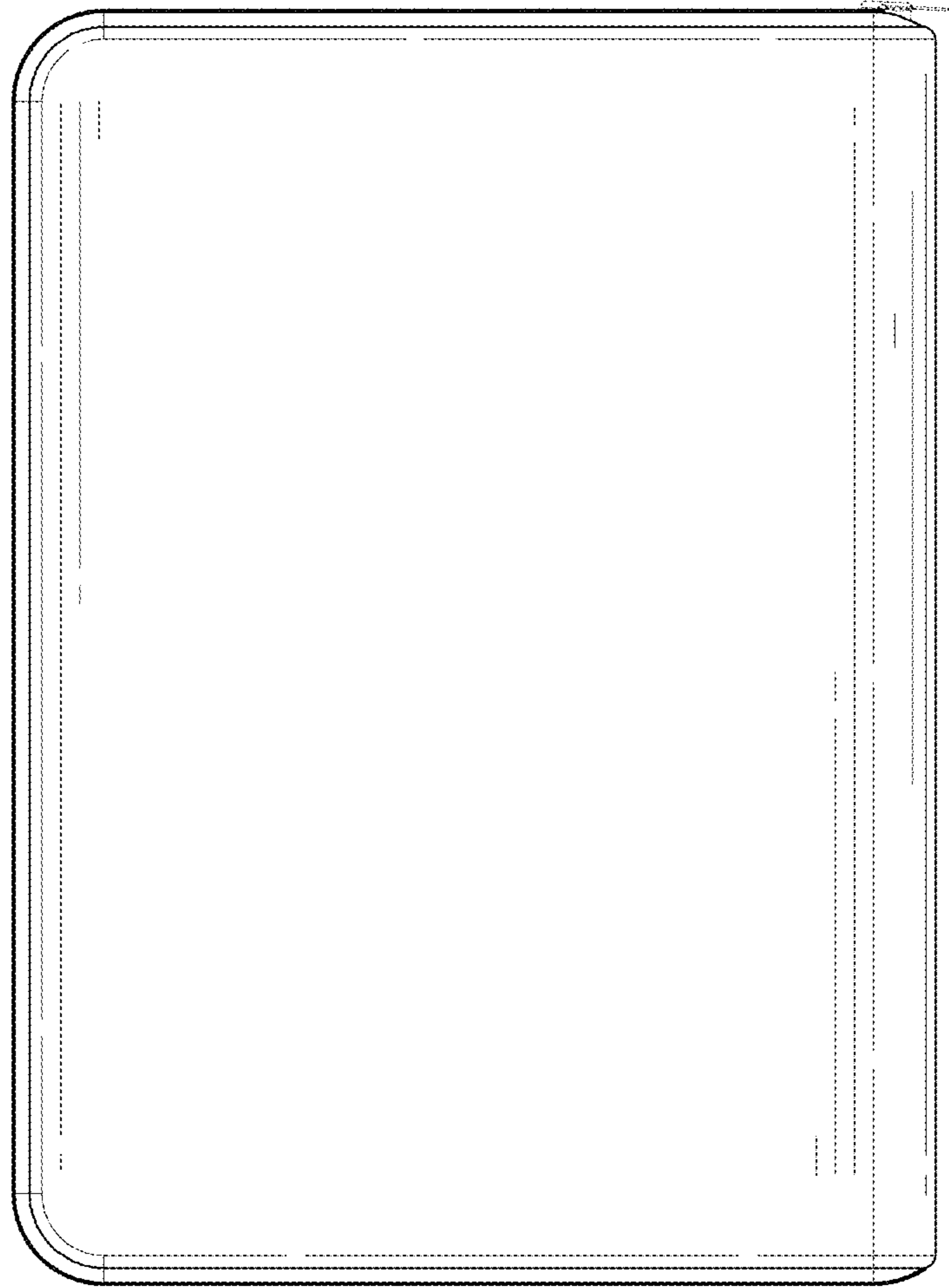


FIG. 4

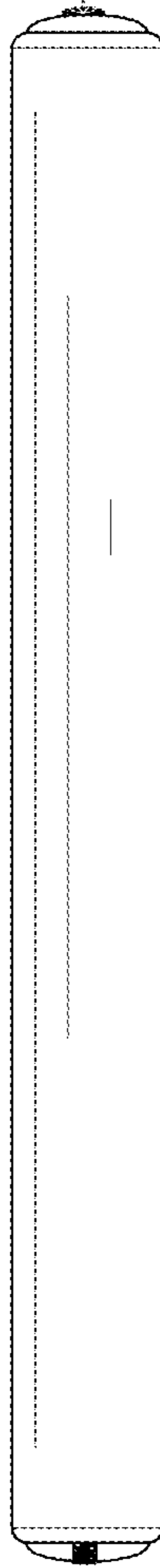


FIG. 5

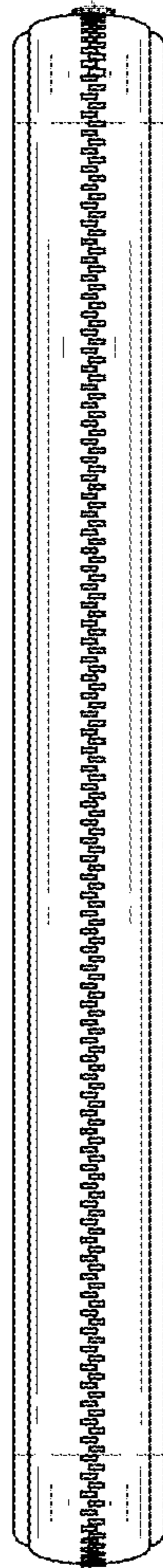


FIG. 6

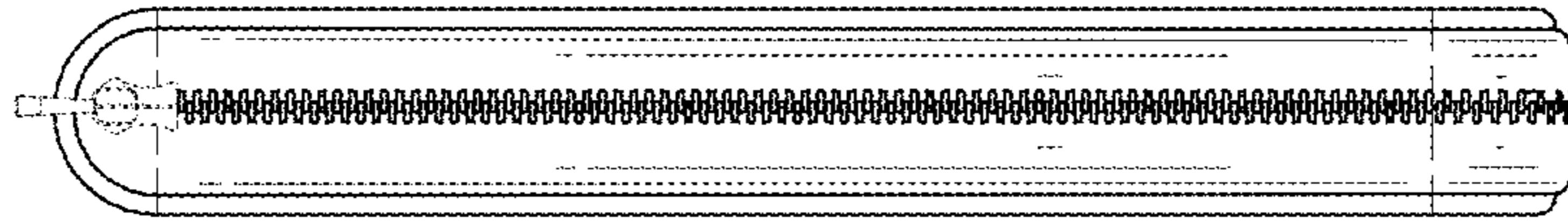


FIG. 7

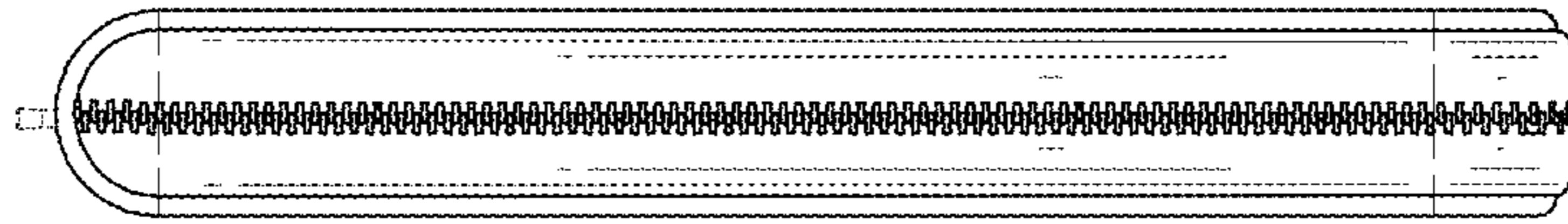


FIG. 8

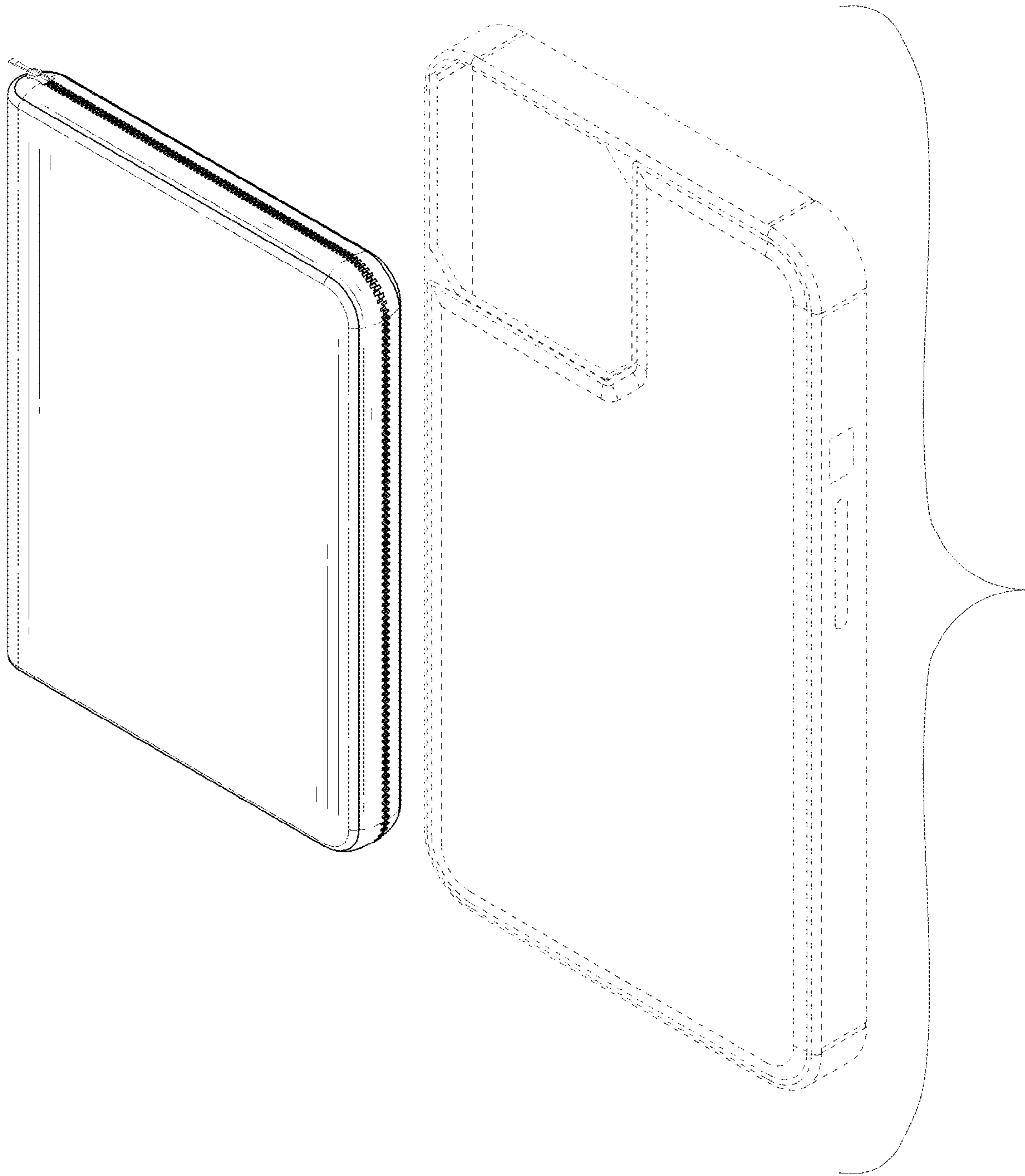


FIG. 9

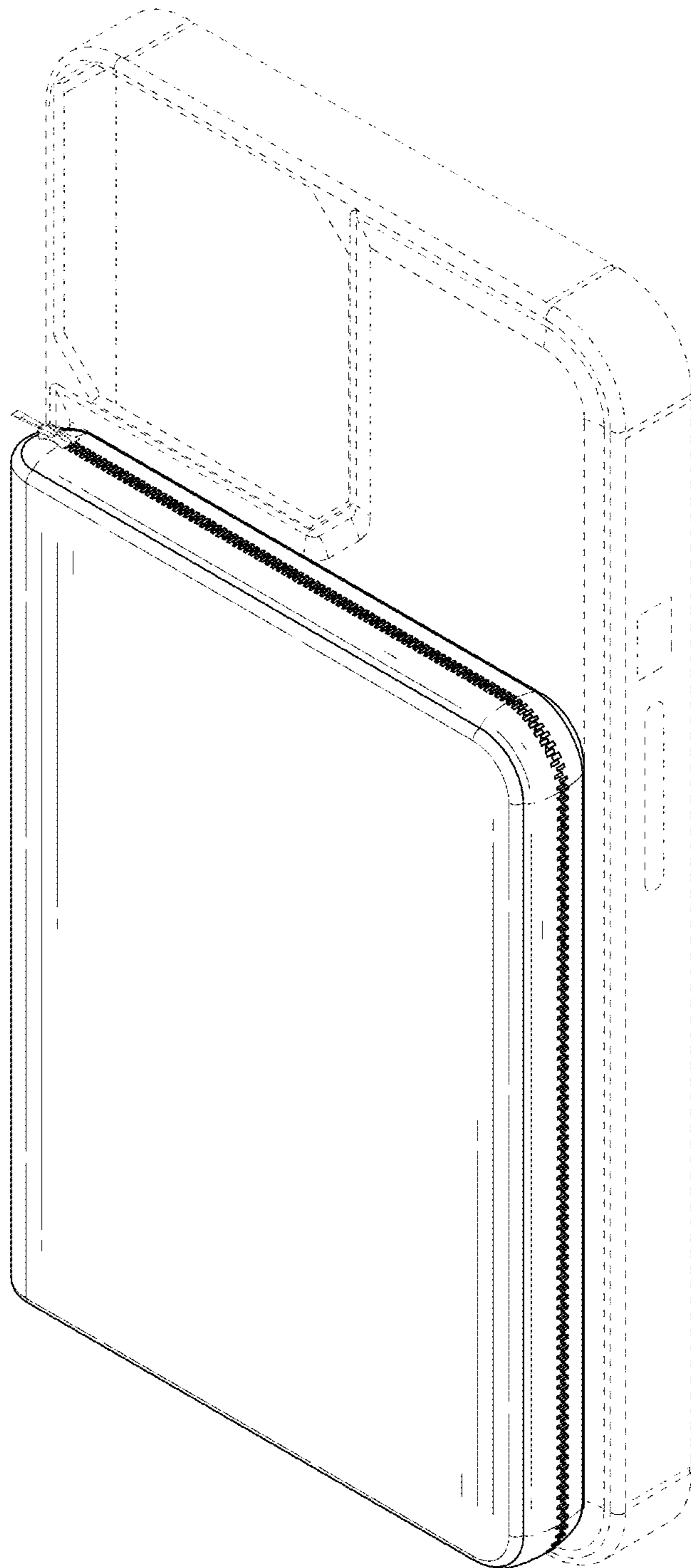


FIG. 10

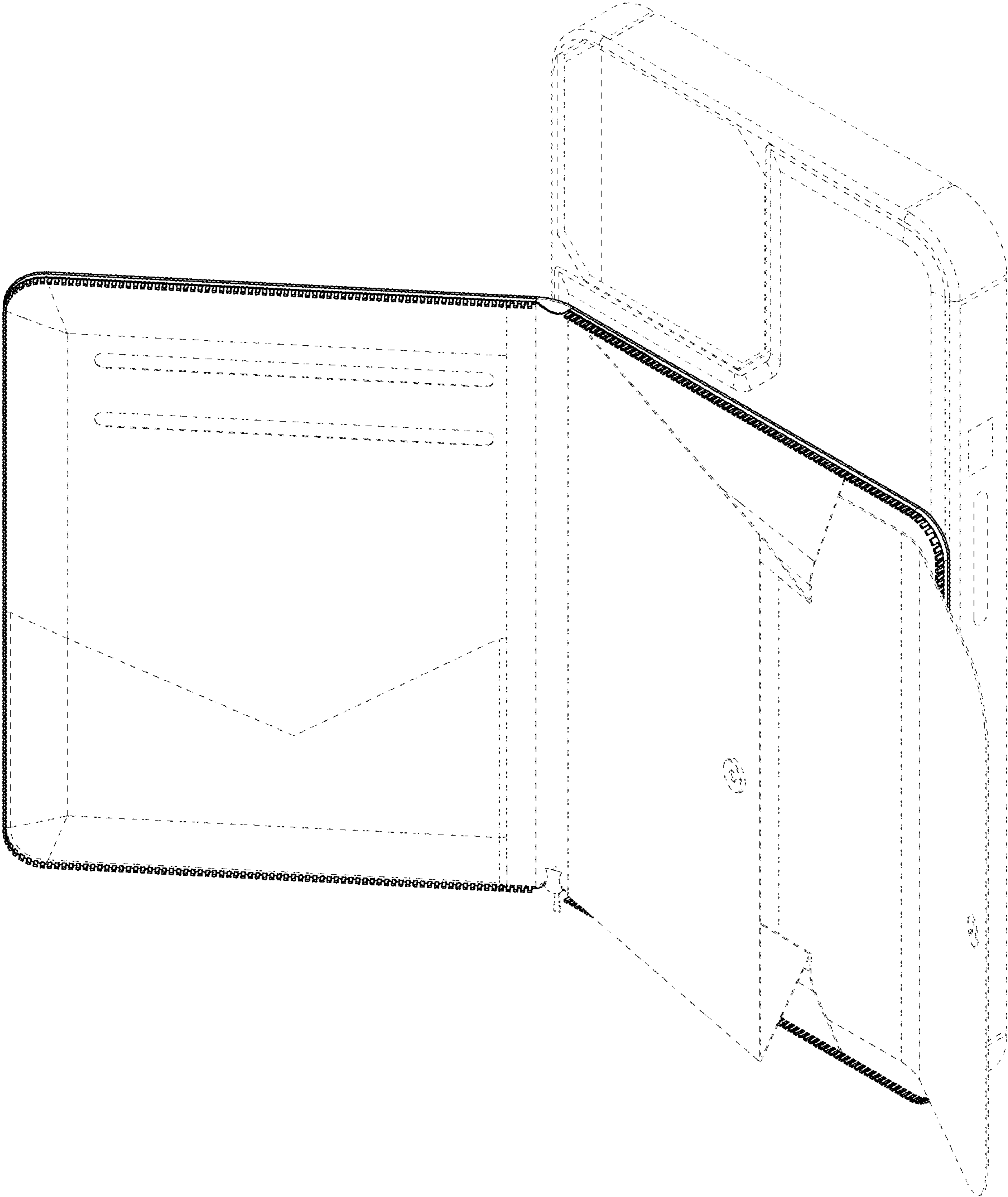


FIG. 11

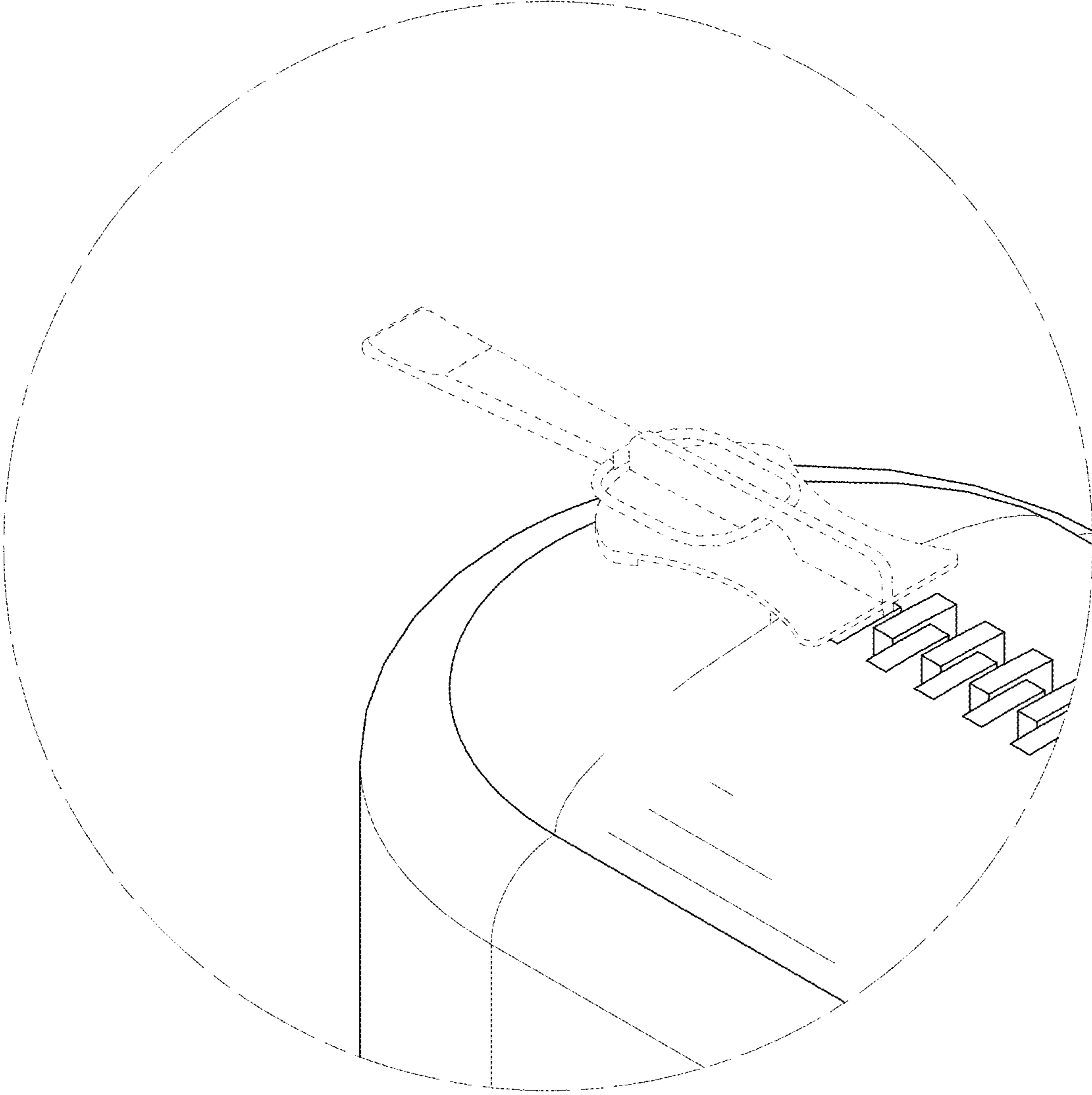


FIG. 12