



US00D954034S

(12) **United States Design Patent**
Xiong

(10) **Patent No.:** **US D954,034 S**

(45) **Date of Patent:** **** Jun. 7, 2022**

(54) **REPEATER**

(71) Applicant: **NANJING JUPLINK INTELLIGENT TECHNOLOGIES CO., LTD.**,
Nanjing (CN)

(72) Inventor: **Wenjin Xiong**, Nanjing (CN)

(73) Assignee: **NANJING JUPLINK INTELLIGENT TECHNOLOGIES CO., LTD.**,
Nanjing (CN)

(**) Term: **15 Years**

(21) Appl. No.: **29/754,721**

(22) Filed: **Oct. 14, 2020**

(51) **LOC (13) Cl.** **14-03**

(52) **U.S. Cl.**
USPC **D14/240**

(58) **Field of Classification Search**
USPC D14/240, 242, 357, 358, 140-140.9, 155,
D14/125, 137, 139, 243, 348, 349, 351,
D14/354, 355
CPC H04L 12/00; H03K 17/00; H04W 88/00;
H04W 88/005; H04W 88/02; H04W
88/08; H04W 88/085; H04W 88/10;
H04W 88/12; H04W 88/14; H04B 1/38
See application file for complete search history.

(56) **References Cited**

U.S. PATENT DOCUMENTS

D306,589 S	*	3/1990	Murayama	D14/165
D342,739 S	*	12/1993	Atkin	D14/299
D424,554 S	*	5/2000	Overton	D14/230
D480,694 S	*	10/2003	Heath	D10/104.1
D484,879 S	*	1/2004	Jones	D14/358

D601,550 S	*	10/2009	L'Henaff	D14/240
D602,499 S	*	10/2009	Lewis	D14/203.3
D606,983 S	*	12/2009	Hamer	D14/240
D626,125 S	*	10/2010	Kang	D14/240
D685,773 S	*	7/2013	Katarow	D14/240
D813,852 S	*	3/2018	Ni	D14/240
D858,498 S	*	9/2019	Busl	D14/240
D933,627 S	*	10/2021	Ribeiro	D14/242

FOREIGN PATENT DOCUMENTS

CN	304081617	*	3/2017
EM	005815222-0003	*	11/2018
EM	008202907-0001	*	10/2020
JP	D1660194	*	5/2020

* cited by examiner

Primary Examiner — Bridget L Eland

(57) **CLAIM**

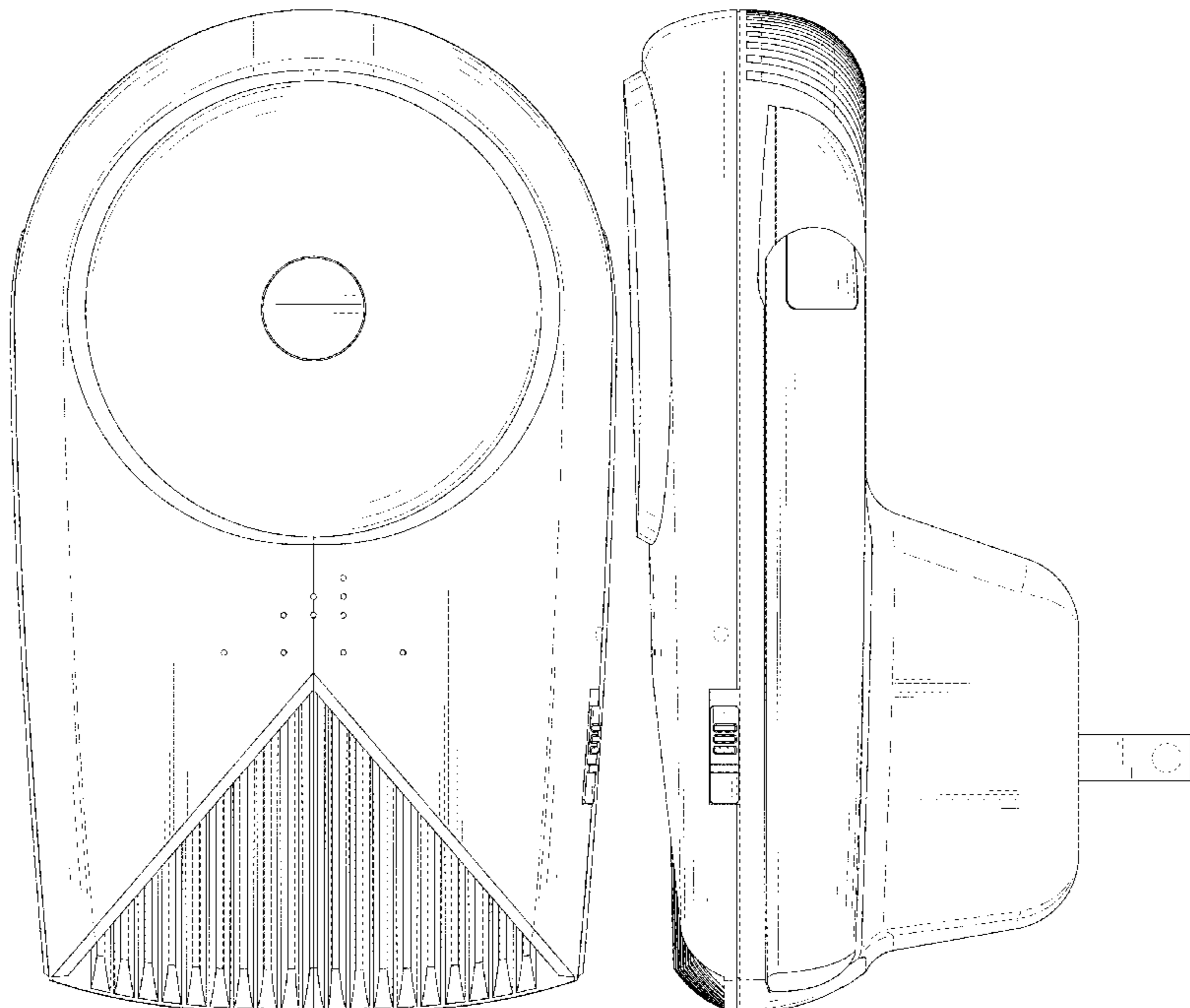
The ornamental design for a repeater, as shown and described.

DESCRIPTION

FIG. 1 is a perspective view of a repeater showing my new design;
FIG. 2 is another perspective view thereof;
FIG. 3 is a front elevational view thereof;
FIG. 4 is a rear elevational view thereof;
FIG. 5 is a left side elevational view thereof;
FIG. 6 is a right side elevational view thereof;
FIG. 7 is a top plan view thereof; and,
FIG. 8 is a bottom plan view thereof.

The broken lines in the drawings depict portions of the repeater that form no part of the claimed design.

1 Claim, 8 Drawing Sheets



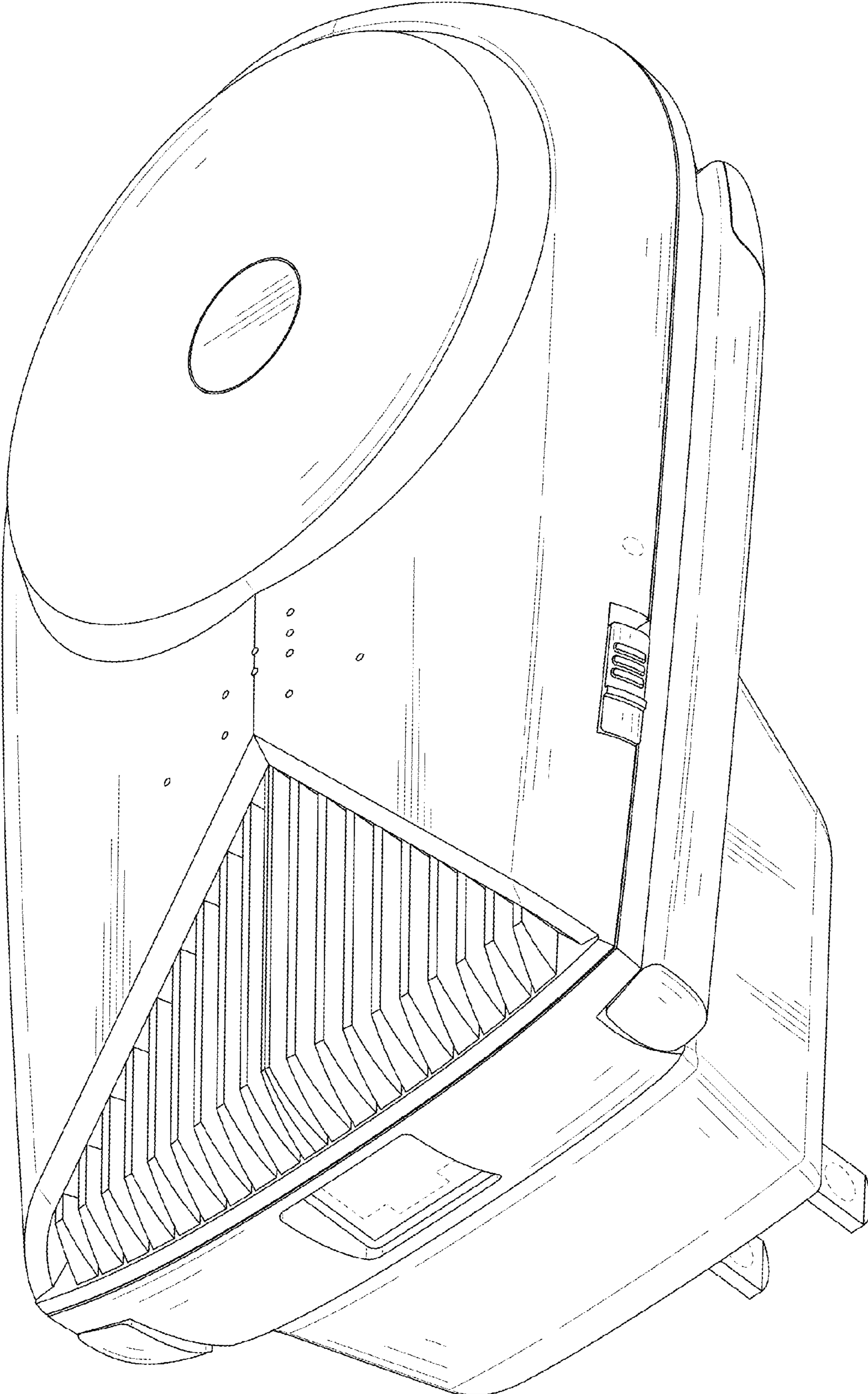


FIG. 1

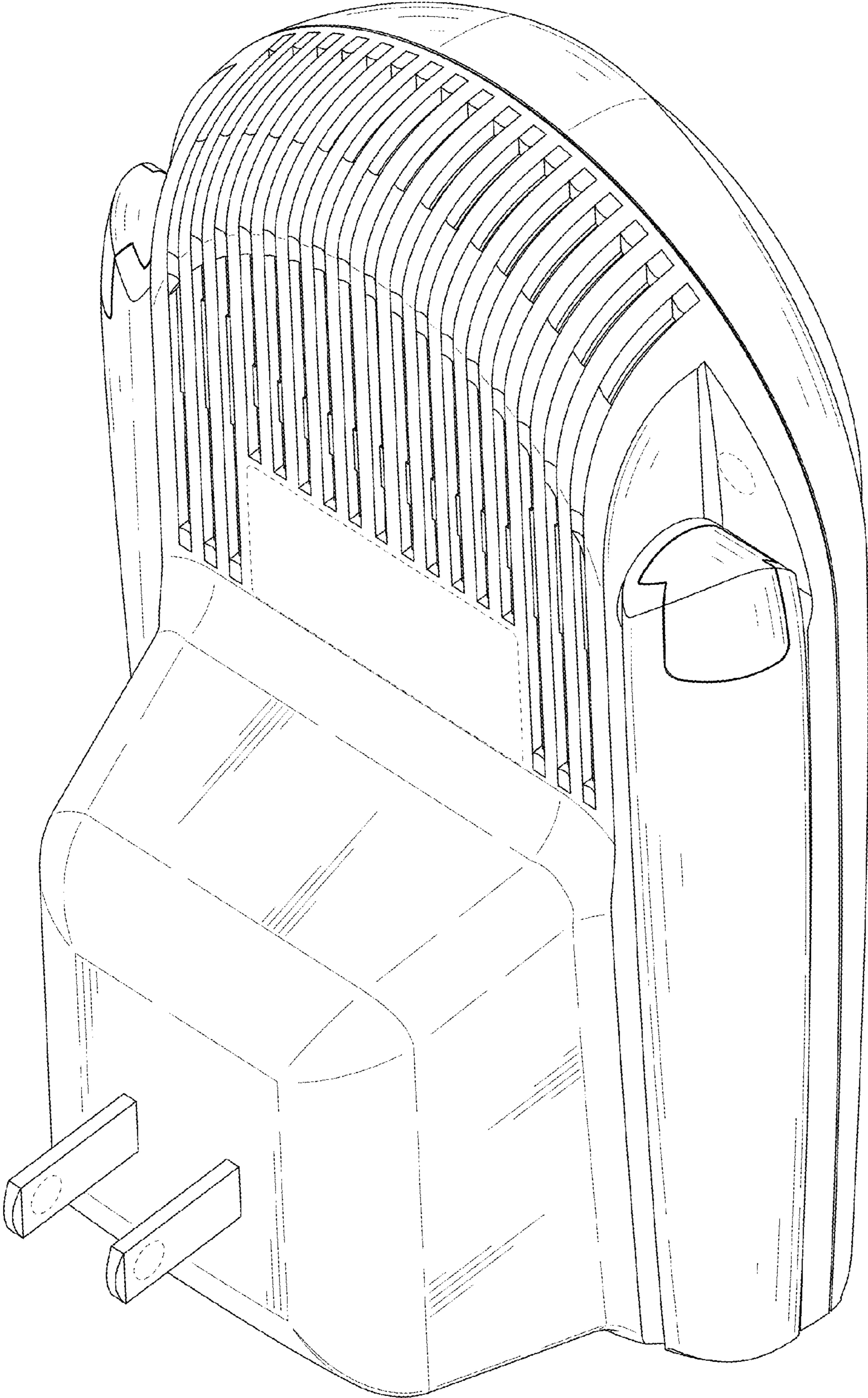


FIG. 2

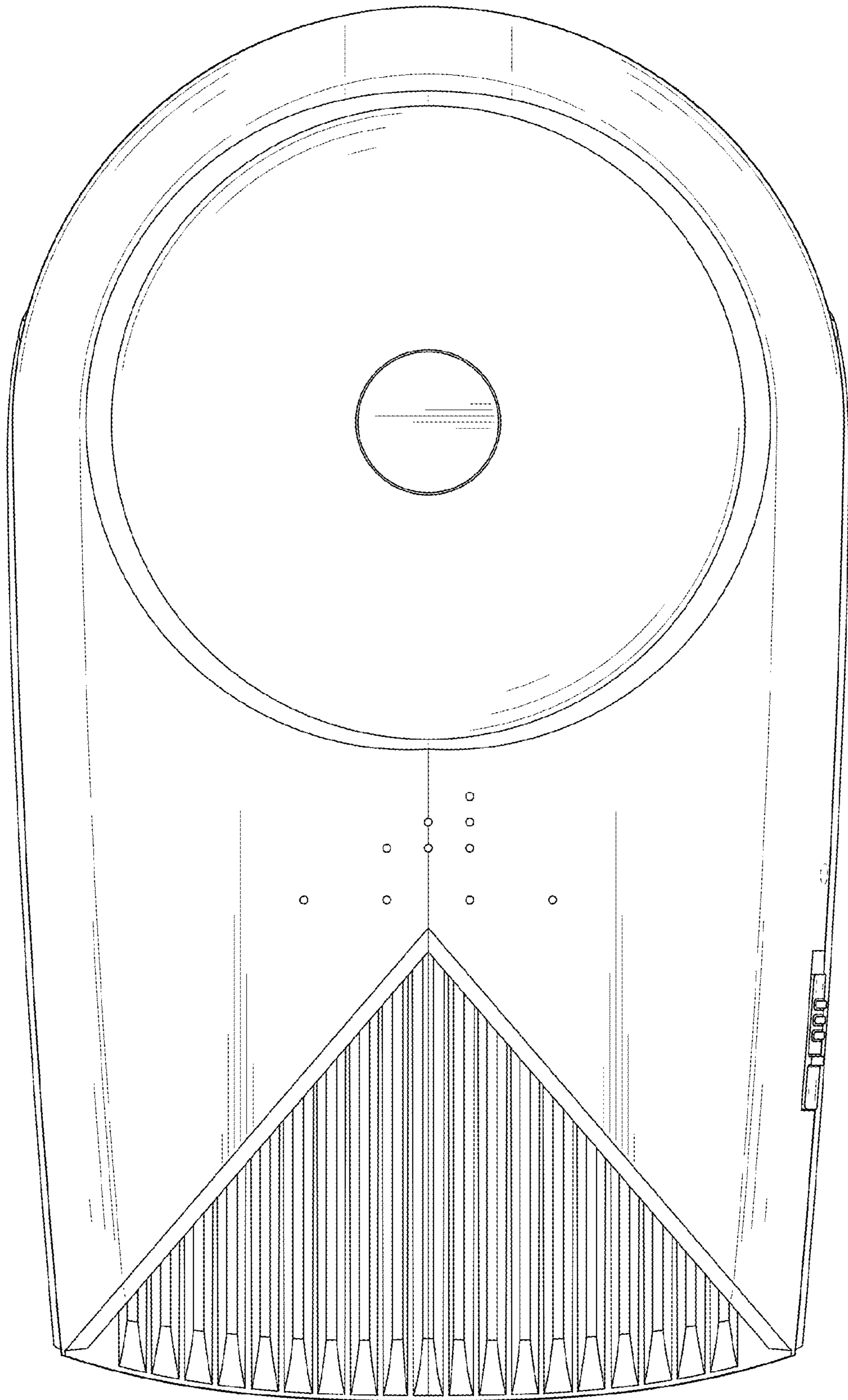


FIG. 3

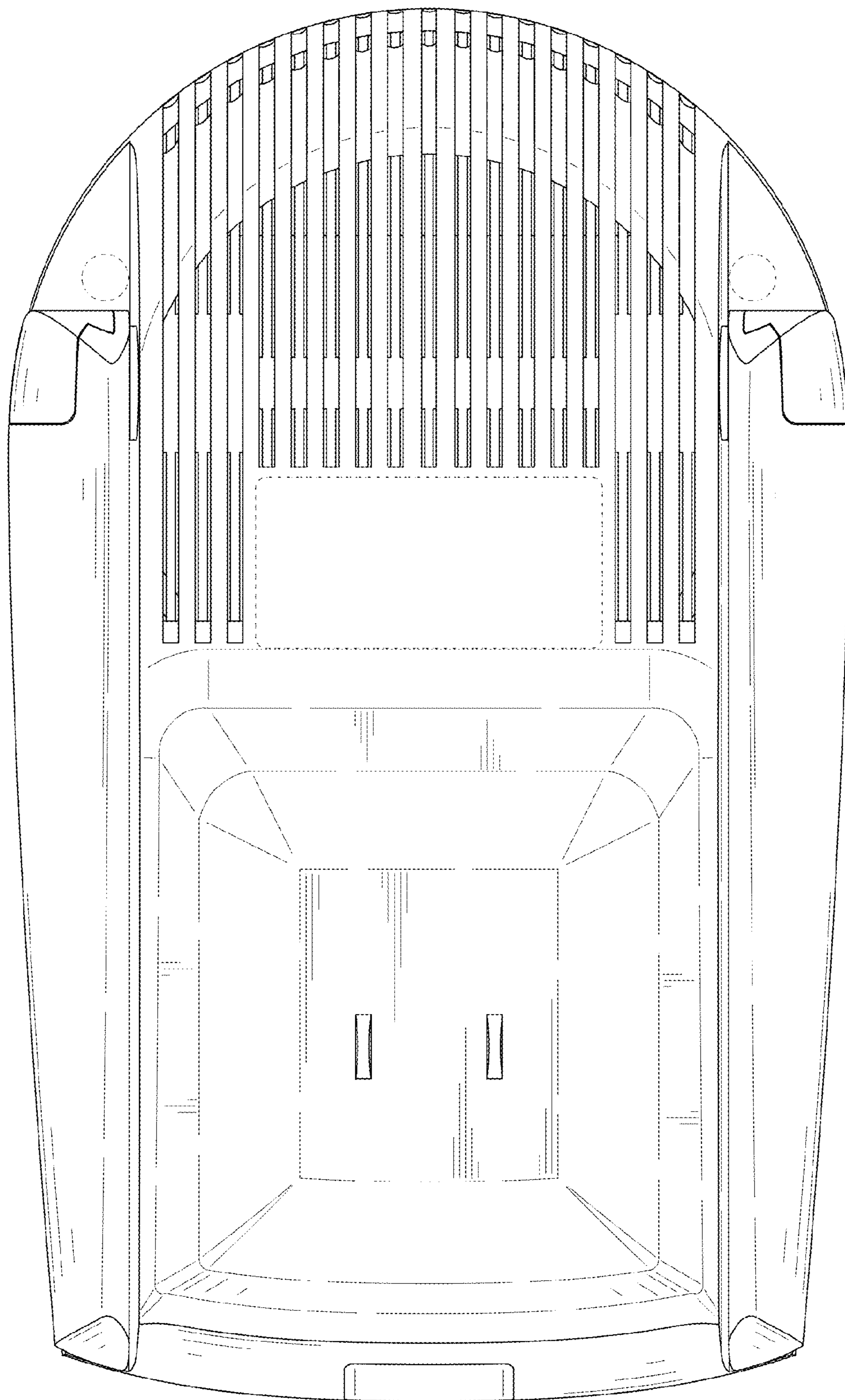


FIG. 4

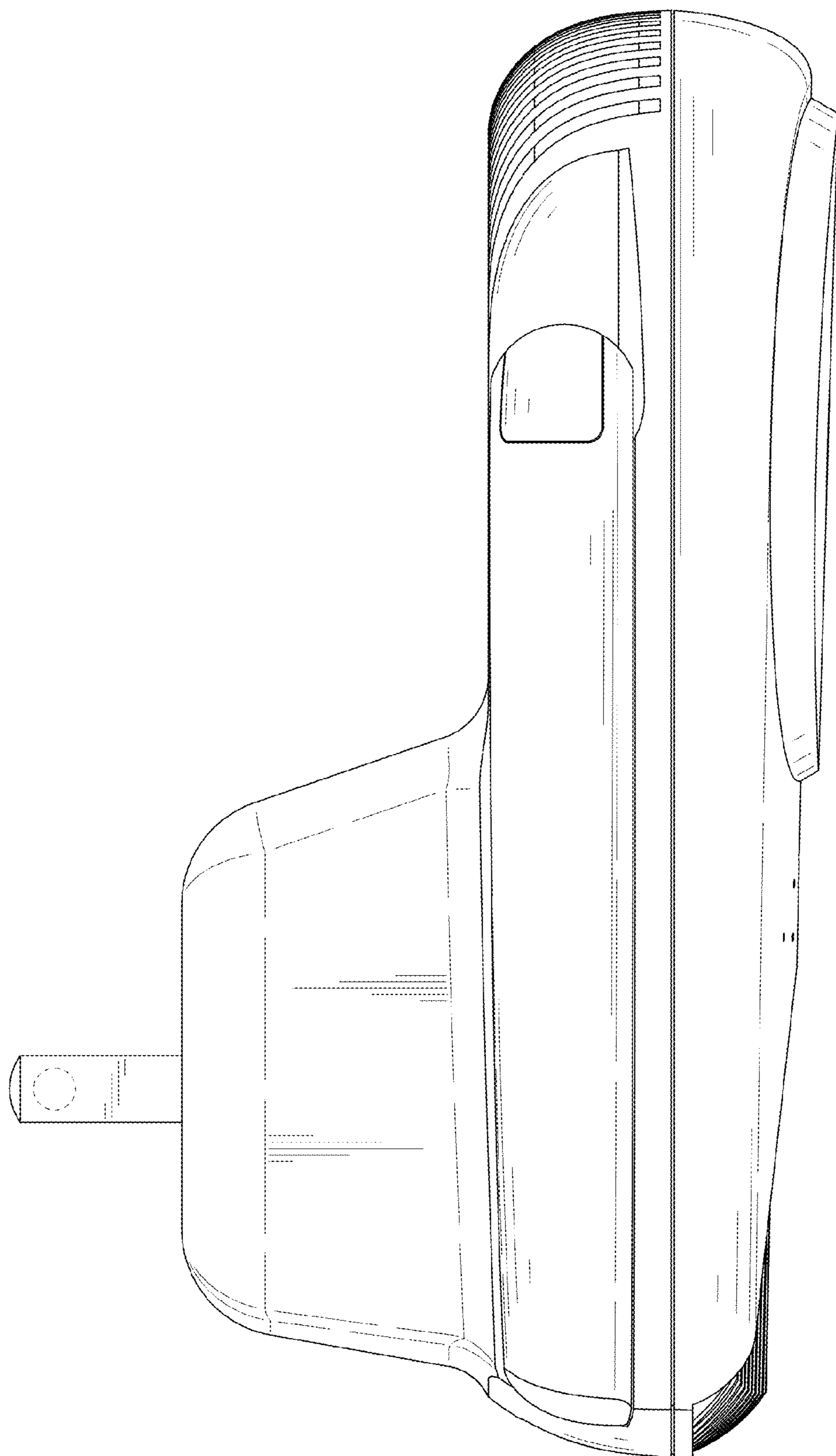


FIG. 5

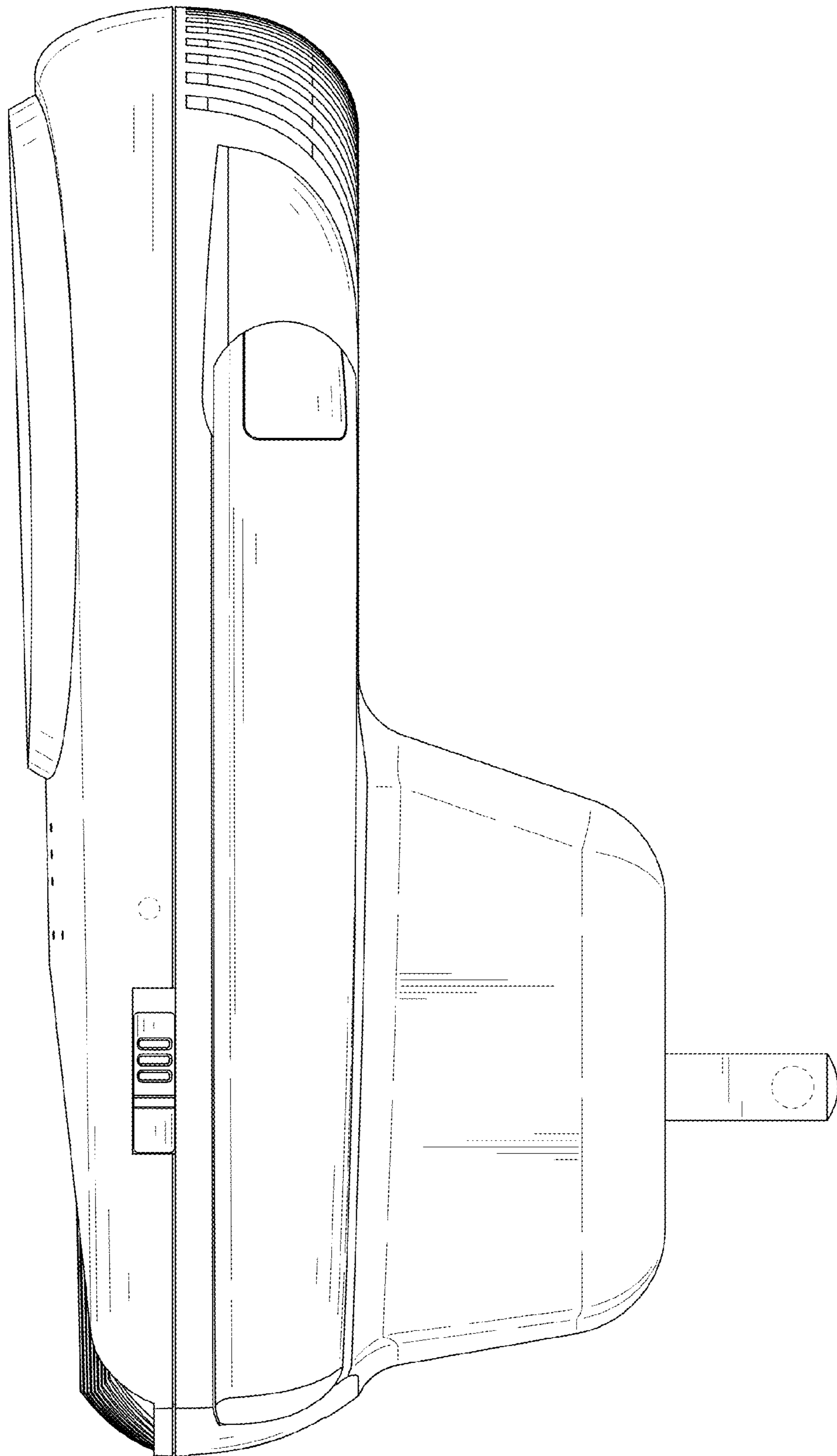


FIG. 6

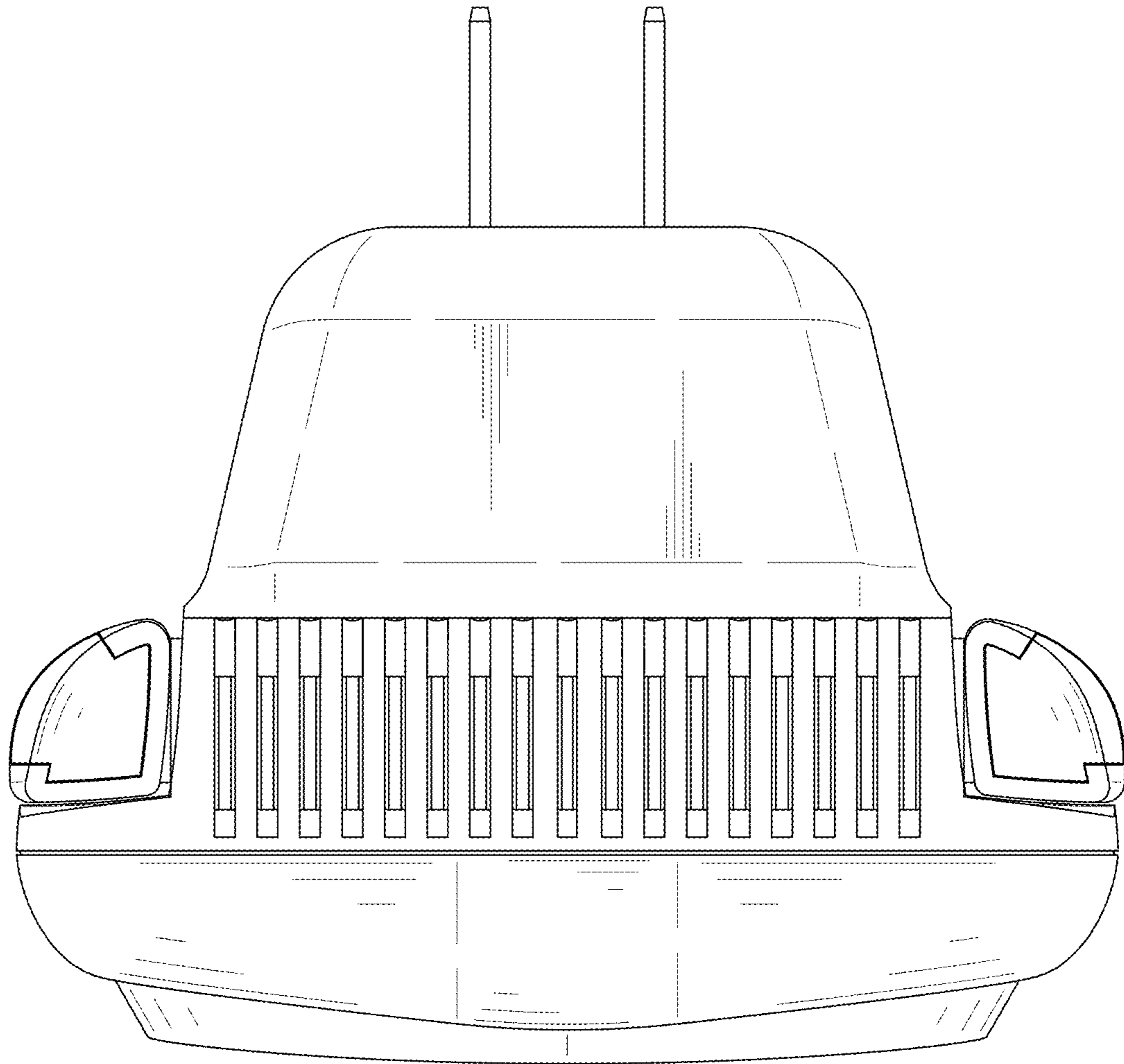


FIG. 7

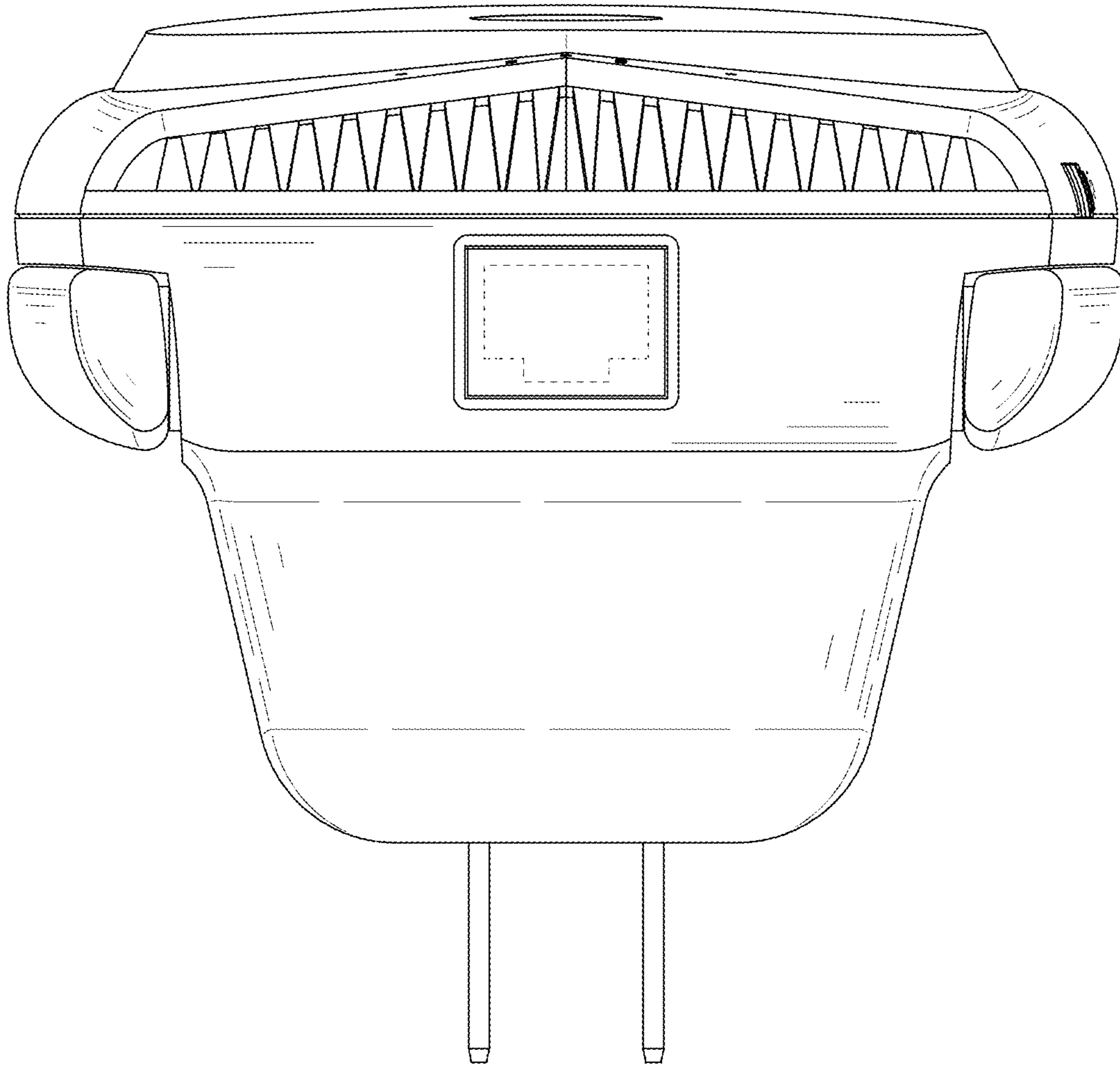


FIG. 8