

US00D954032S

(12) **United States Design Patent** (10) **Patent No.:** **US D954,032 S**  
**Bunn et al.** (45) **Date of Patent:** **\*\* Jun. 7, 2022**

(54) **BASE STATION**

(71) Applicant: **Owlet Baby Care, Inc.**, Lehi, UT (US)

(72) Inventors: **Michael Bunn**, Lehi, UT (US); **Taylor Hooker**, Lehi, UT (US); **Seth Munger**, Springville, UT (US)

(\*\*) Term: **15 Years**

(21) Appl. No.: **29/738,986**

(22) Filed: **Jun. 22, 2020**

(51) **LOC (13) Cl.** ..... **14-03**

(52) **U.S. Cl.**  
USPC ..... **D14/240**

(58) **Field of Classification Search**  
USPC ..... D13/10; D14/125, 155, 203.6, 240, 242,  
D14/356, 357, 358, 367, 496, 509  
CPC ..... H04R 1/021; H04R 1/025; H04R 1/026;  
H04R 1/06  
See application file for complete search history.

(56) **References Cited**

**U.S. PATENT DOCUMENTS**

D812,501 S *	3/2018	Kuh	.....	D10/74
D822,717 S *	7/2018	Lim	.....	D14/496
D855,040 S *	7/2019	Fu	.....	D14/242
D856,953 S *	8/2019	Chen	.....	D14/126
D874,399 S *	2/2020	Lockenwitz	.....	D13/108
D877,344 S *	3/2020	Munger	.....	D24/186
D928,704 S *	8/2021	Ebrahimi Afrouzi	.....	D13/110
D934,191 S *	10/2021	Lv	.....	D14/149

**OTHER PUBLICATIONS**

[What Do These Lights Mean?], available in facebook.com, announced Year 2021 [online], [site visited Jan. 6, 2022], Internet URL: <https://www.facebook.com/watch/?v=767969800527505> (Year: 2021).\*

\* cited by examiner

*Primary Examiner* — Khawaja Anwar

*Assistant Examiner* — Megan Tiana Rakos

(74) *Attorney, Agent, or Firm* — Thorpe North & Western, LLP

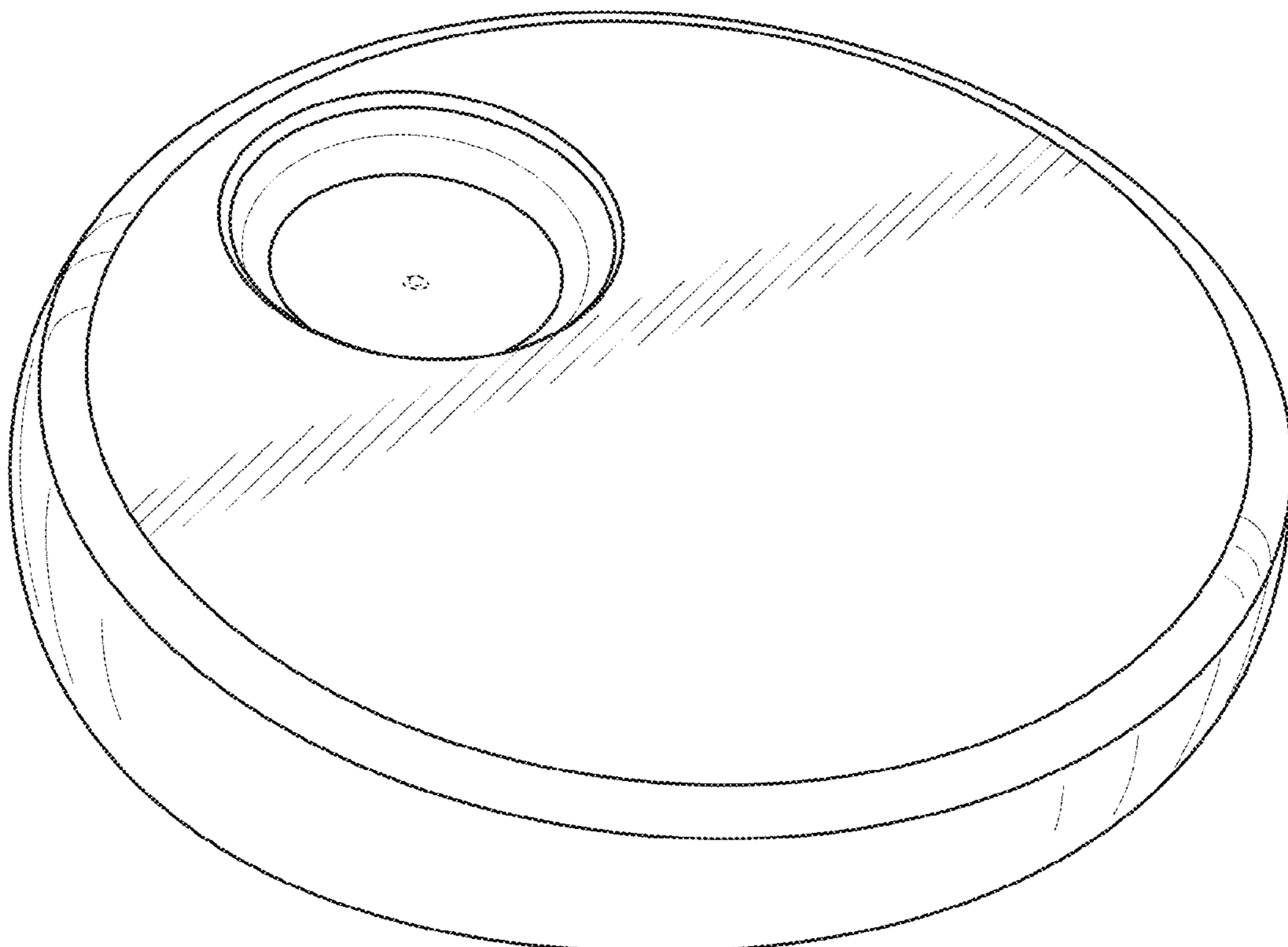
(57) **CLAIM**

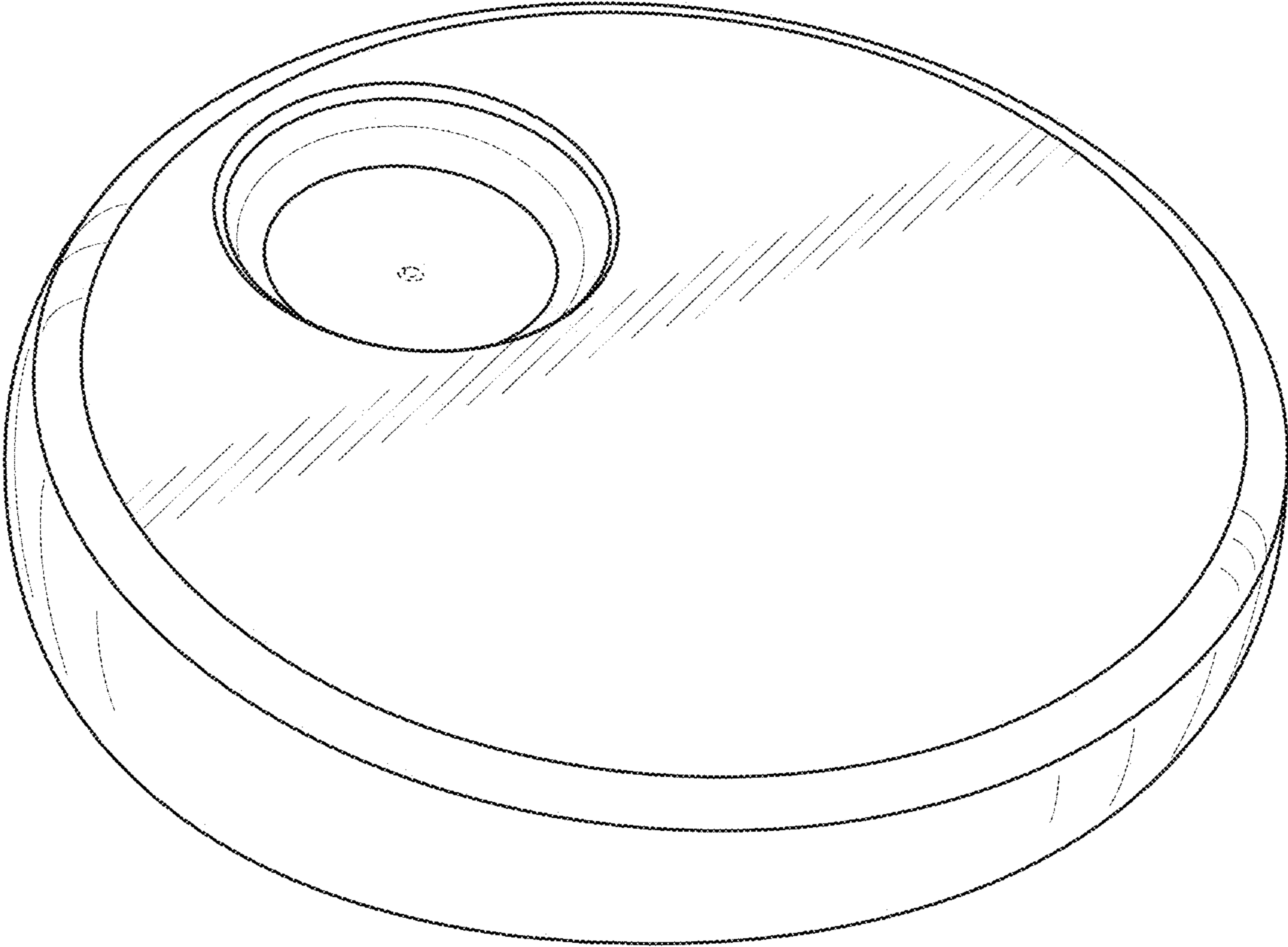
The ornamental design for a base station, as shown and described.

**DESCRIPTION**

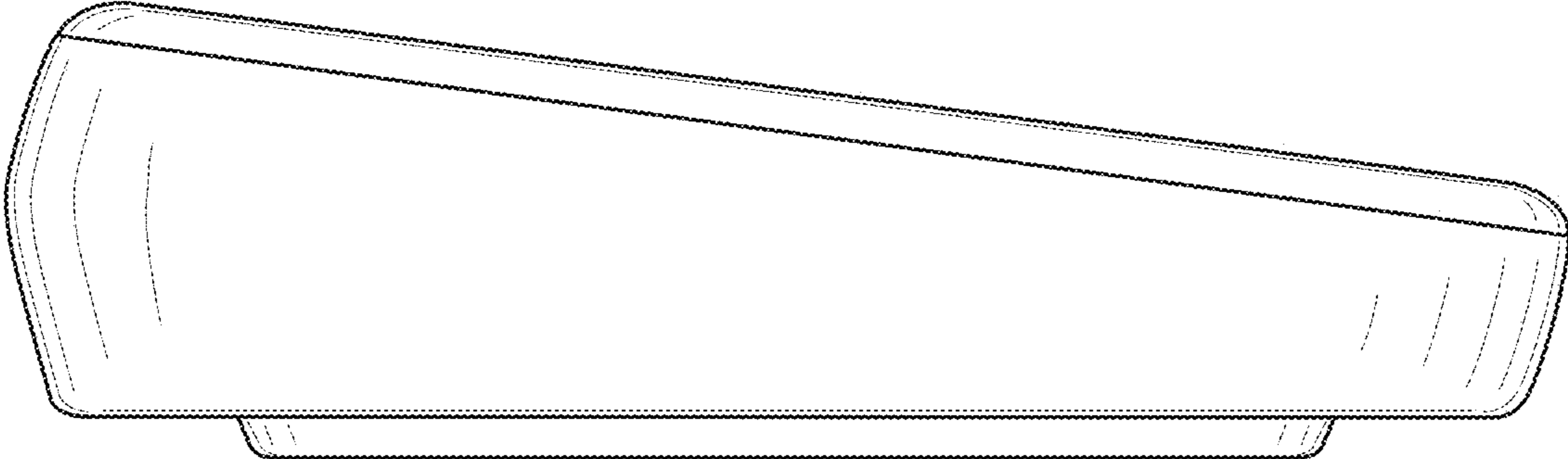
FIG. 1 is an elevated, perspective view of a base station in accordance with aspects of the invention; FIG. 2 is a side view of the base station shown in FIG. 1; FIG. 3 is an opposite view of the base station shown in FIG. 2; FIG. 4 is a front view of FIG. 1; FIG. 5 is a back view of FIG. 1; FIG. 6 is a top view of FIG. 1; and, FIG. 7 is a bottom view of FIG. 1. The broken lines shown represent portions of the article not claimed and form no part of the claimed design.

**1 Claim, 4 Drawing Sheets**

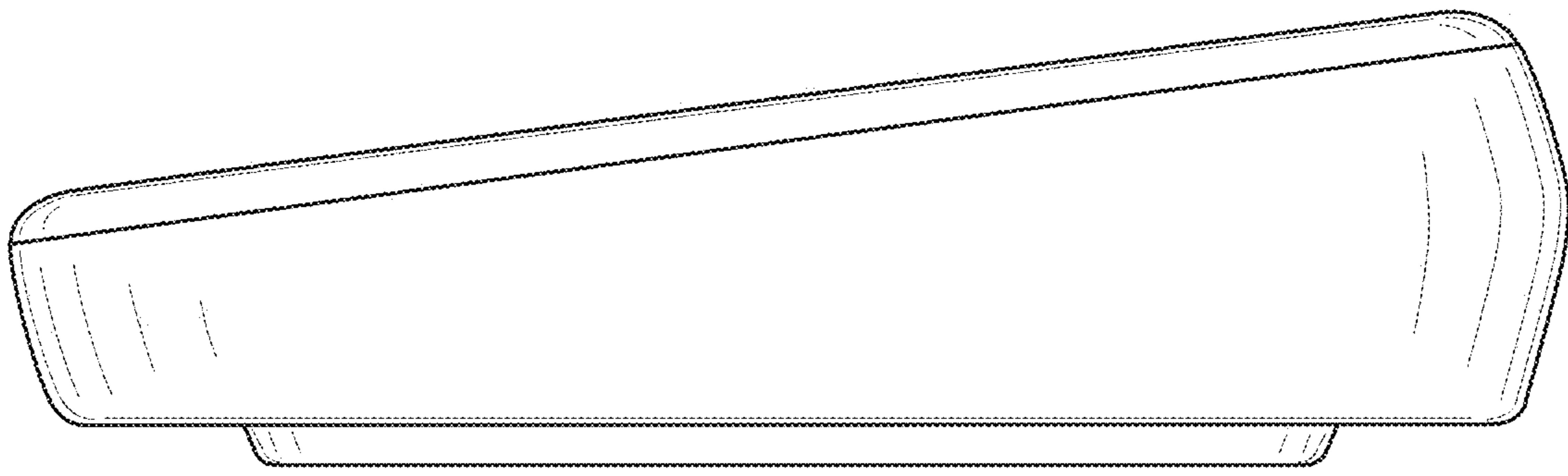




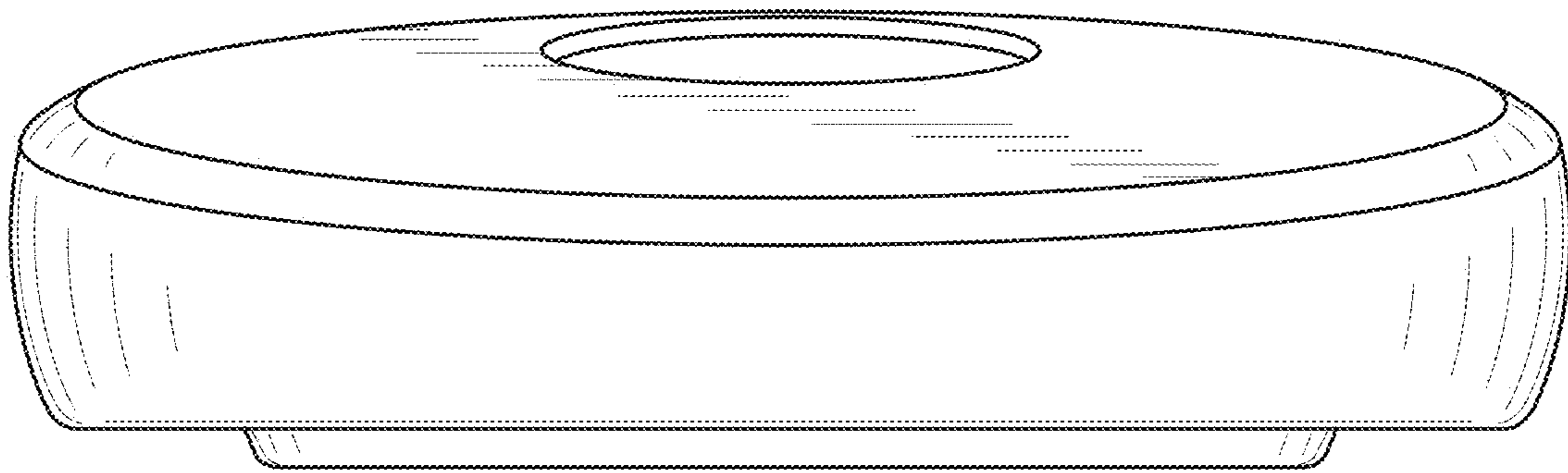
**FIG. 1**



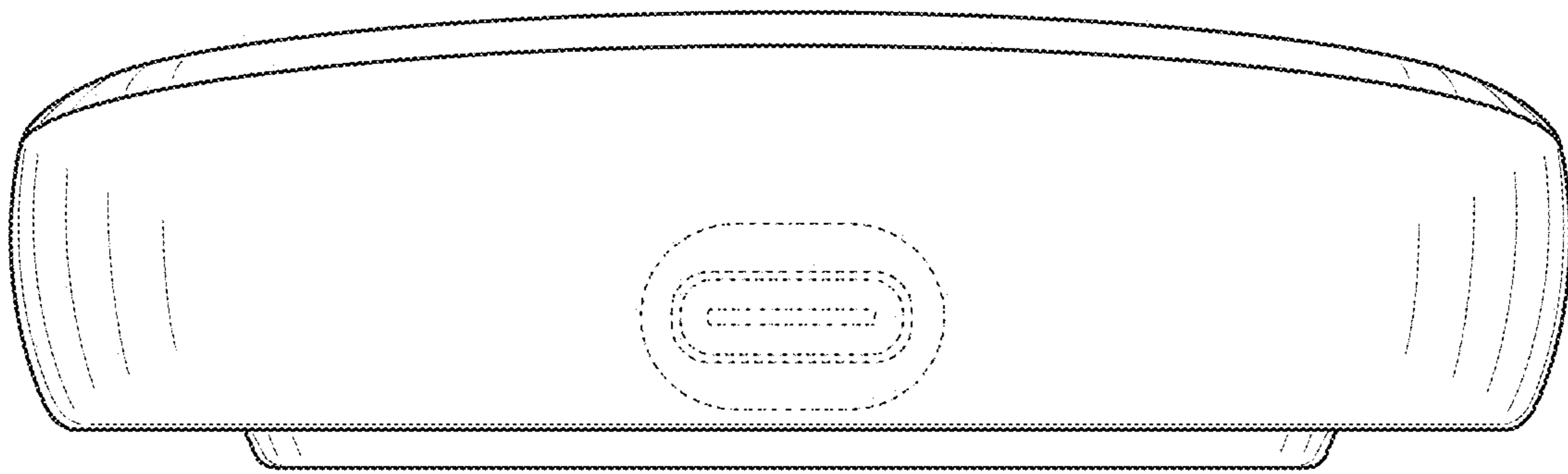
**FIG. 2**



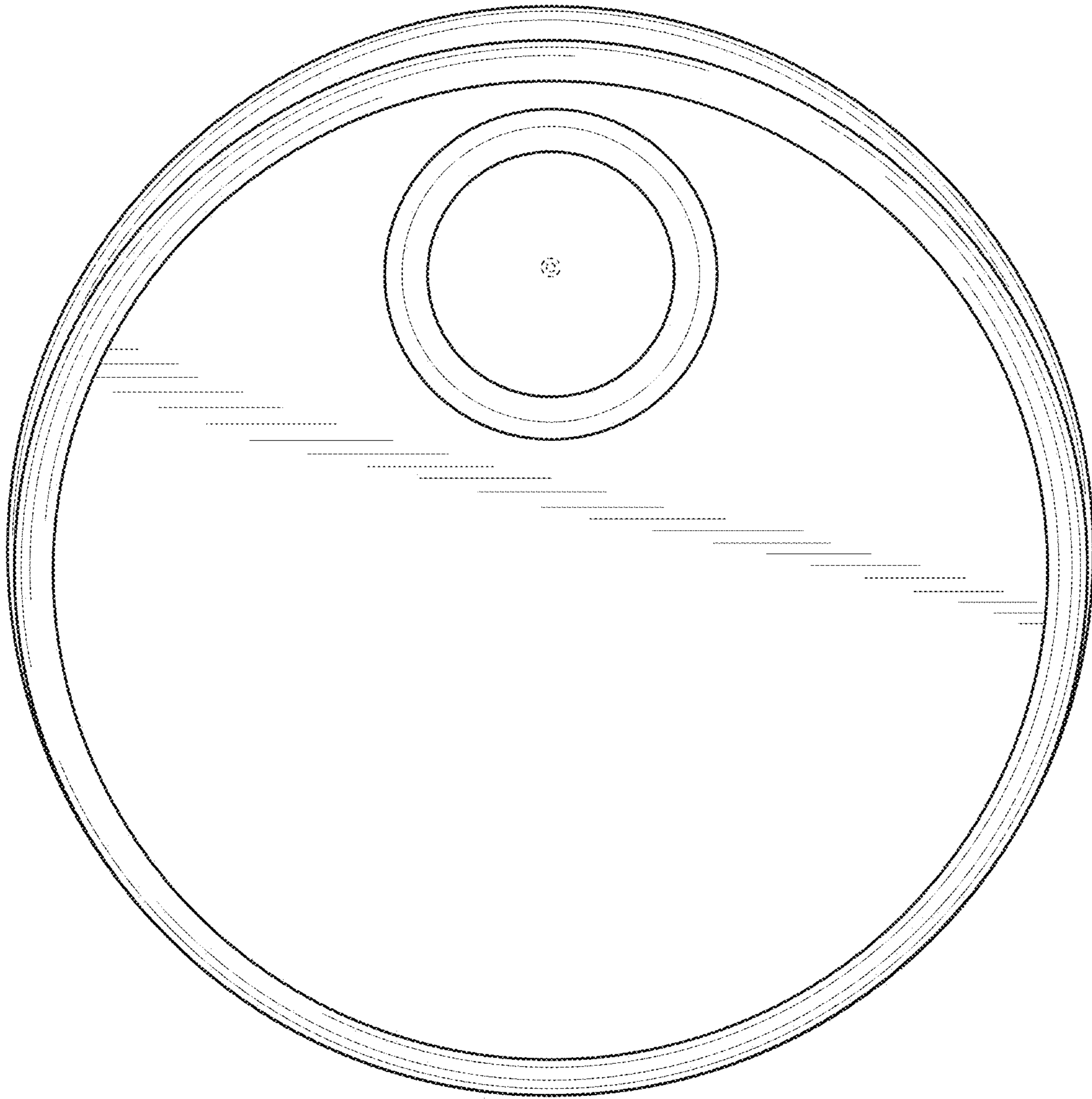
**FIG. 3**



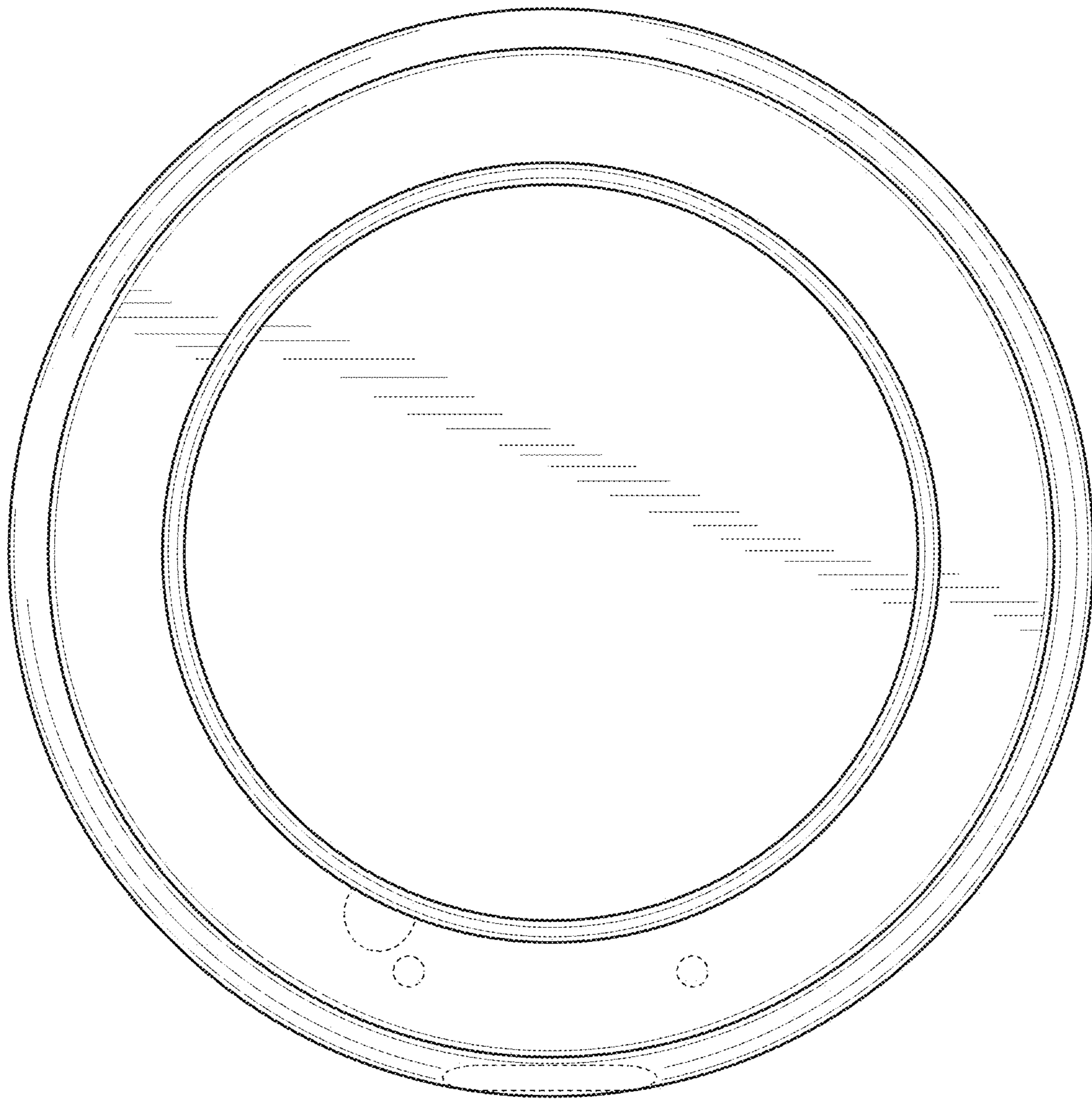
**FIG. 4**



**FIG. 5**



**FIG. 6**



**FIG. 7**