

US00D954031S

(12) **United States Design Patent**
Yang

(10) **Patent No.:** **US D954,031 S**
(45) **Date of Patent:** **** Jun. 7, 2022**

(54) **ANTENNA**

(71) Applicant: **SHENZHEN ANTOP TECHNOLOGY CO., LTD**, Shenzhen (CN)

(72) Inventor: **Ruidian Yang**, Shenzhen (CN)

(73) Assignee: **SHENZHEN ANTOP TECHNOLOGY CO., LTD**, Shenzhen (CN)

(**) Term: **15 Years**

(21) Appl. No.: **29/750,942**

(22) Filed: **Sep. 17, 2020**

(30) **Foreign Application Priority Data**

Aug. 24, 2020 (CN) 202030487696.1

(51) **LOC (13) Cl.** **14-03**

(52) **U.S. Cl.**
USPC **D14/230**

(58) **Field of Classification Search**

USPC D14/218, 230; D10/2, 70, 78, 80, 106.2, D10/49, 103, 106, 121, 52, 53, 74, 56, D10/57, 62, 71, 75, 83, 96, 99
CPC H01Q 7/04; H01Q 23/00; H01Q 19/30; H01Q 21/30; H01Q 1/243; H01Q 1/3275; H01Q 1/27; H01Q 1/3283; H01Q 1/2291; H01Q 1/007

See application file for complete search history.

(56) **References Cited**

U.S. PATENT DOCUMENTS

D285,431 S * 9/1986 Hicks D14/218
D373,317 S * 9/1996 Feng D10/104.1
(Continued)

FOREIGN PATENT DOCUMENTS

CN 303655406 * 4/2016
CN 306950271 * 11/2021
(Continued)

OTHER PUBLICATIONS

ANTOP Antenna Inc AT-405BV DG . . . , available at amazon.com, date first available Jul. 10, 2021, site visited Feb. 22, 2022, Availab URL: [https://www.amazon.com/ANTOP-Antenna-Inc-AT-405BV-Dark/dp/B0993VYBC2/ref=sr_1_113?crid=1JHNPTSytason&keywords=indoor+hdtv+antenna&qid=1645671484&sprefix=indoor+hdtv+antenna \(Year: 2021\).*](https://www.amazon.com/ANTOP-Antenna-Inc-AT-405BV-Dark/dp/B0993VYBC2/ref=sr_1_113?crid=1JHNPTSytason&keywords=indoor+hdtv+antenna&qid=1645671484&sprefix=indoor+hdtv+antenna (Year: 2021).*)

Primary Examiner — Daniel J Domino

Assistant Examiner — Samina Vieth

(74) *Attorney, Agent, or Firm* — Avek IP, LLC; Kent R. Erickson

(57) **CLAIM**

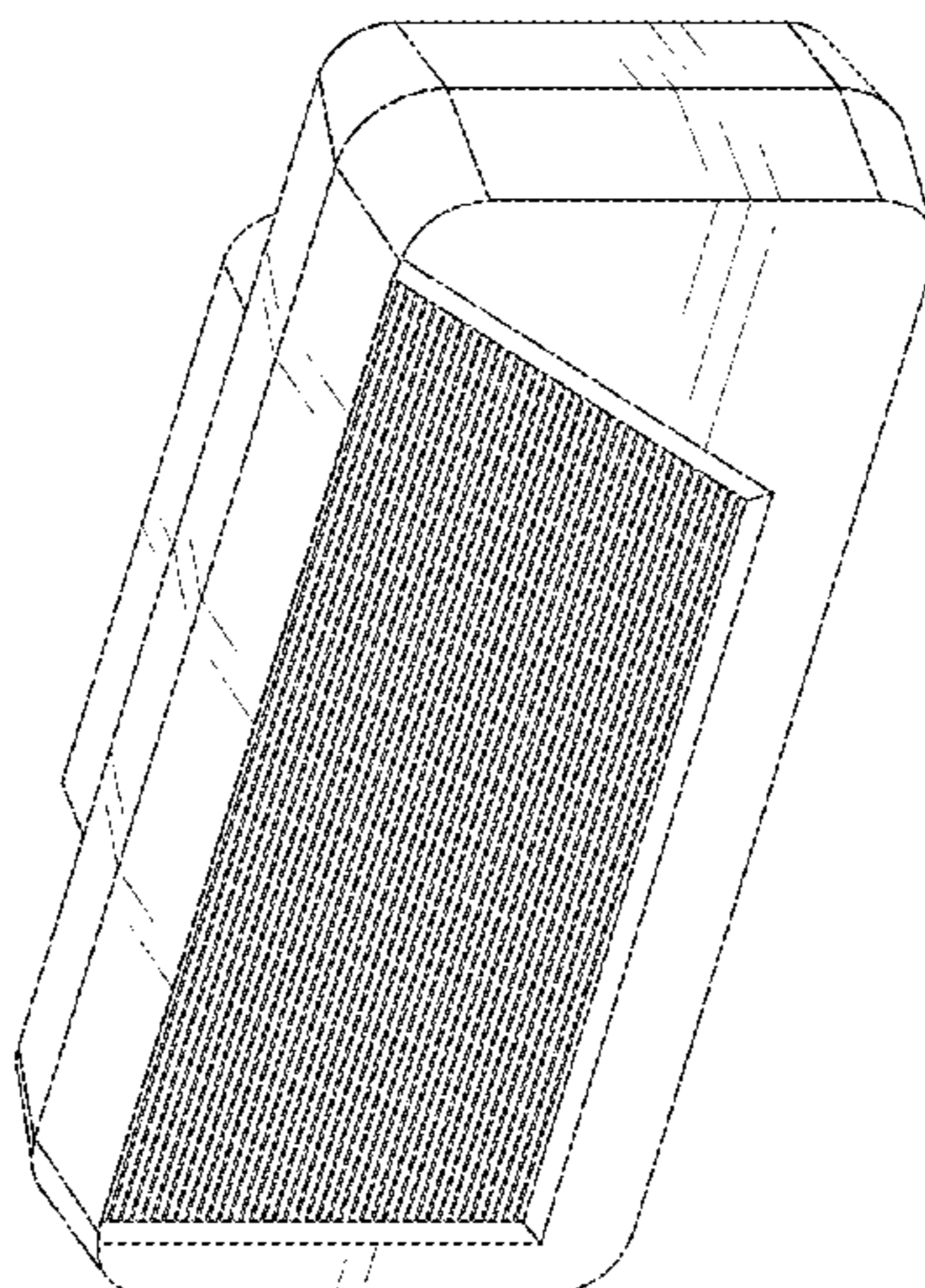
The ornamental design for an antenna, as shown and described.

DESCRIPTION

FIG. 1 is a front perspective view of an antenna of the present disclosure;
FIG. 2 is a rear perspective view of the antenna shown in FIG. 1;
FIG. 3 is a front elevational view of the antenna shown in FIG. 1;
FIG. 4 is a rear elevational view of the antenna shown in FIG. 1;
FIG. 5 is a left-side elevational view of the antenna shown in FIG. 1;
FIG. 6 is a right-side elevational view of the antenna shown in FIG. 1;
FIG. 7 is a top plan view of the antenna shown in FIG. 1; and,
FIG. 8 is a bottom plan view of the antenna shown in FIG. 1.

The broken lines shown in the drawings are for the purpose of illustrating portions of the antenna that form no part of the claimed design.

1 Claim, 8 Drawing Sheets



(56)

References Cited

U.S. PATENT DOCUMENTS

D614,587 S	*	4/2010	Yodfat	D13/168
D637,287 S	*	5/2011	Mudd	D24/133
D709,134 S	*	7/2014	Dallmeyer	D21/332
D713,420 S	*	9/2014	Dallmeyer	D14/495
D718,722 S	*	12/2014	Asher	D13/168
D798,841 S	*	10/2017	Park	D14/218
D868,043 S	*	11/2019	Doe	D14/230
D902,189 S	*	11/2020	Yang	D14/230
D944,102 S	*	2/2022	Trudnak	D10/49

FOREIGN PATENT DOCUMENTS

JP	D1675298	*	12/2020
JP	D1701287	*	12/2021

* cited by examiner

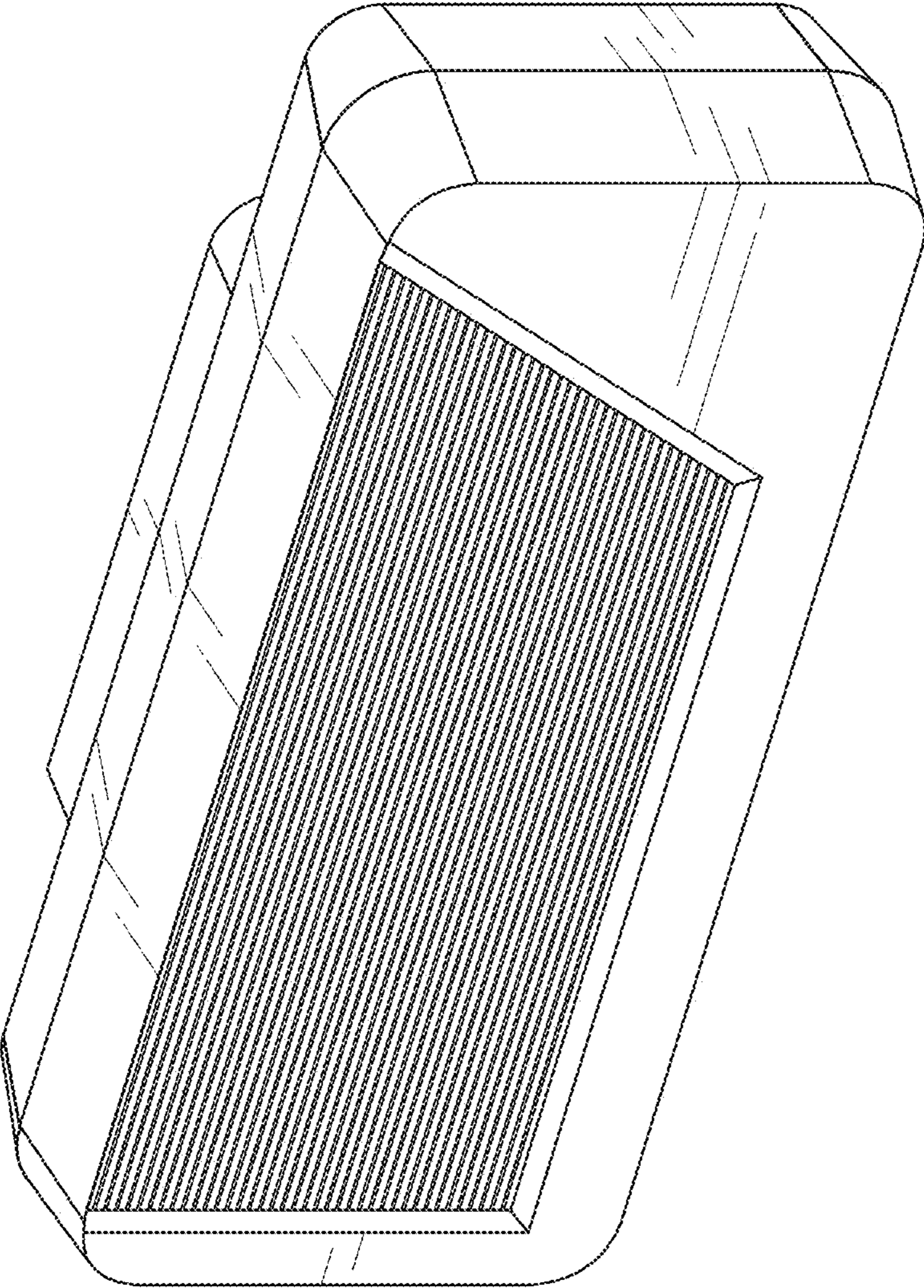


FIG. 1

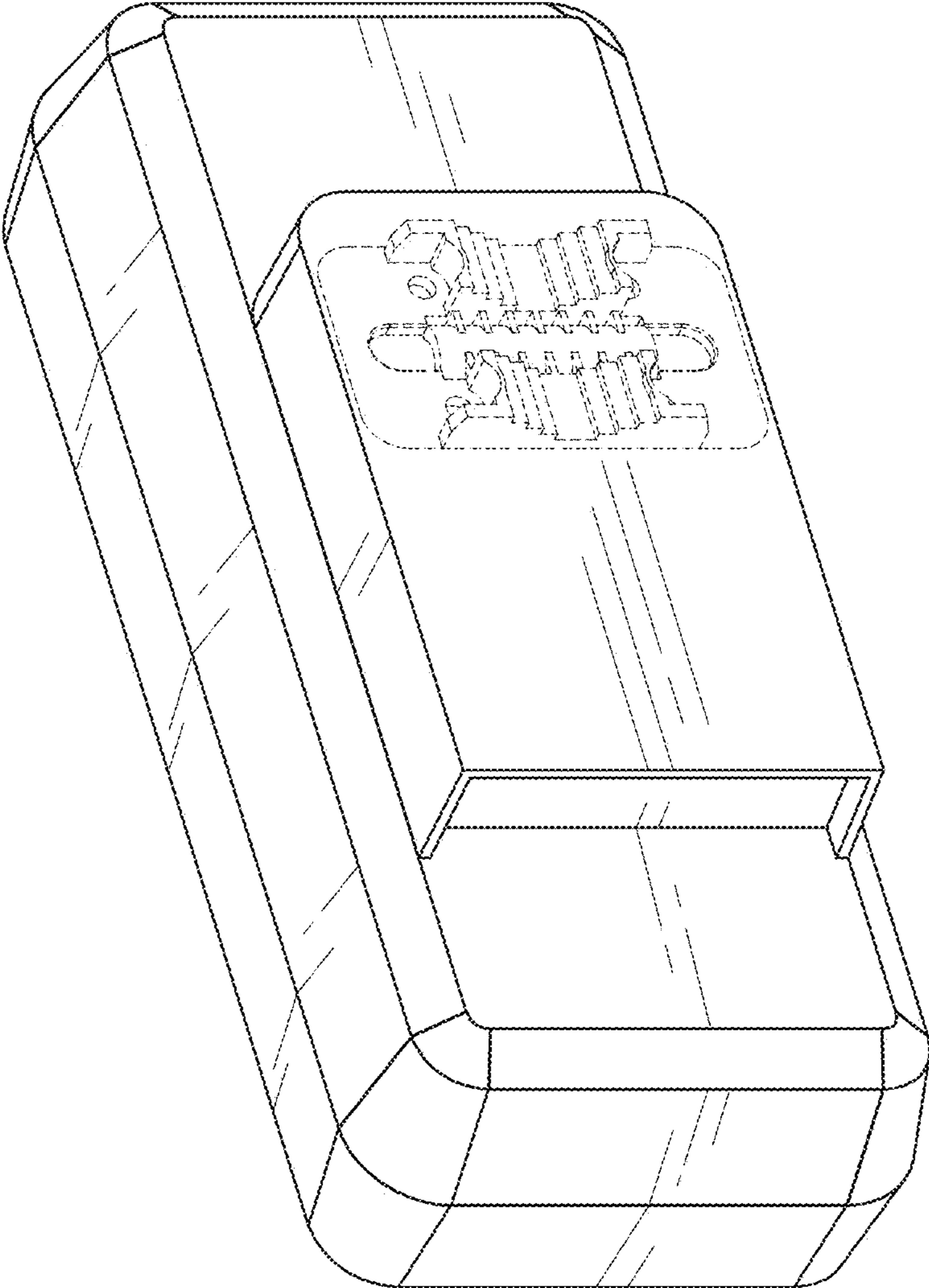


FIG. 2

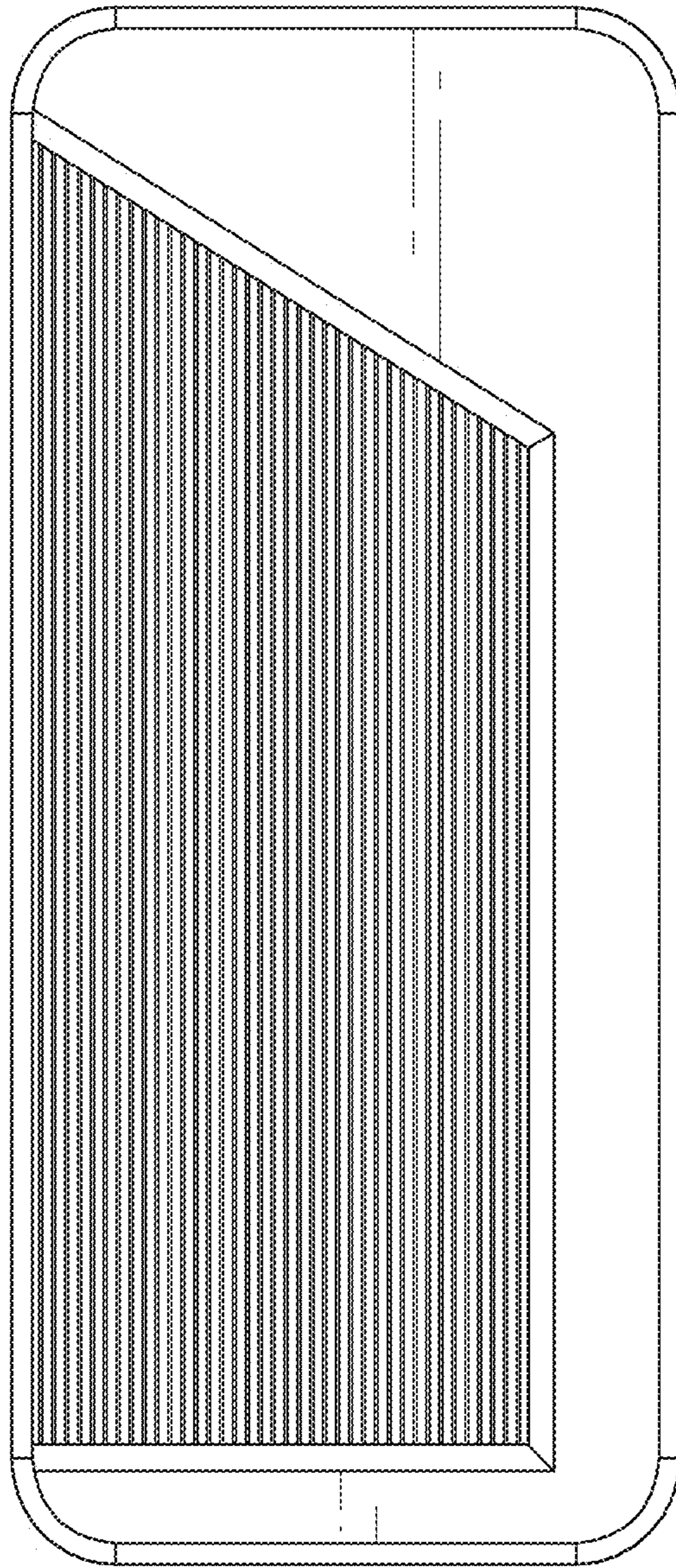


FIG. 3

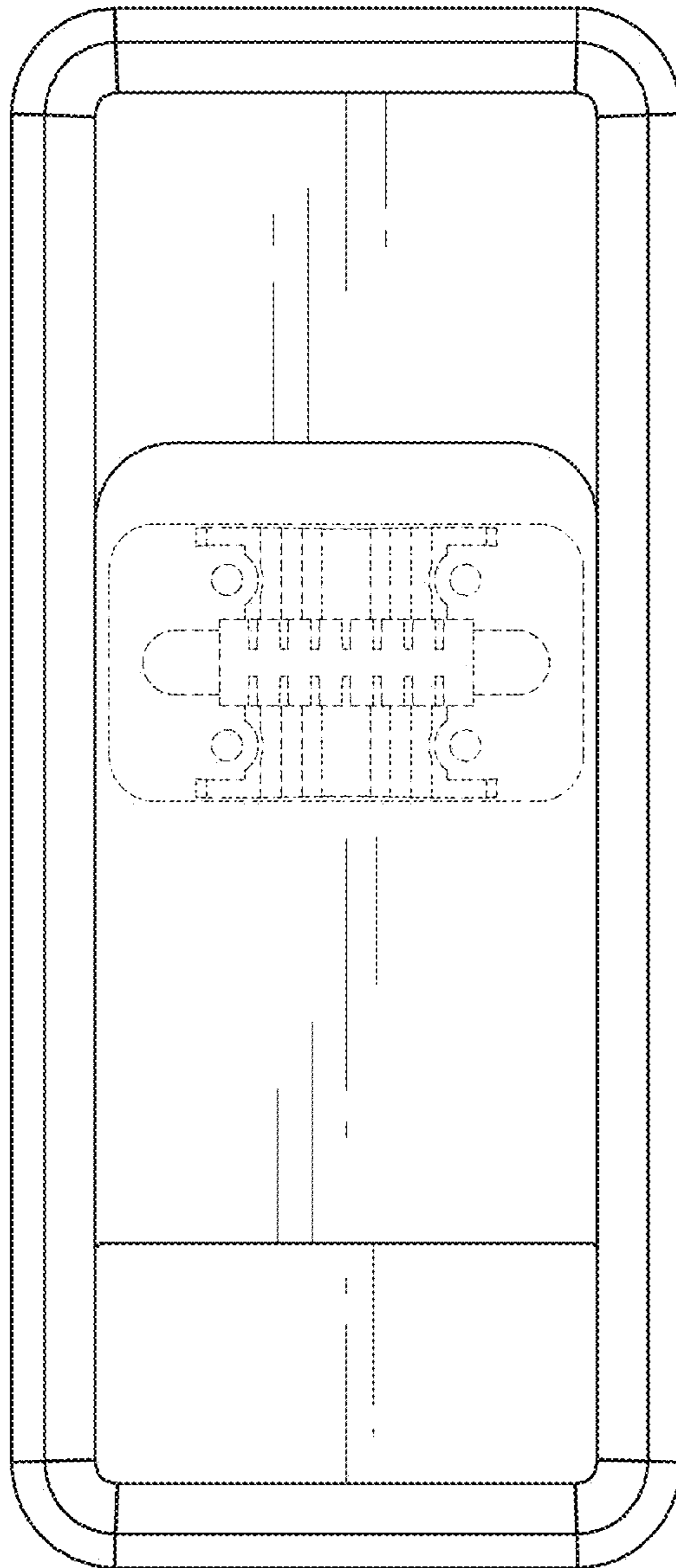


FIG. 4

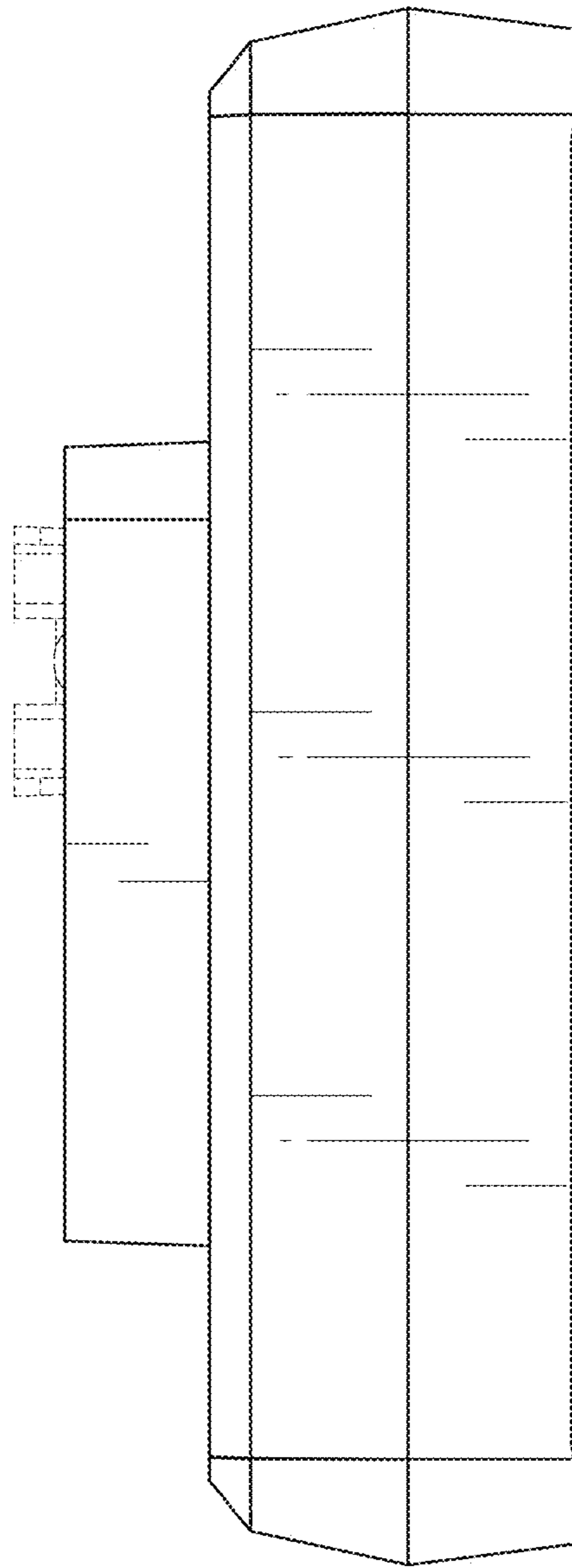


FIG. 5

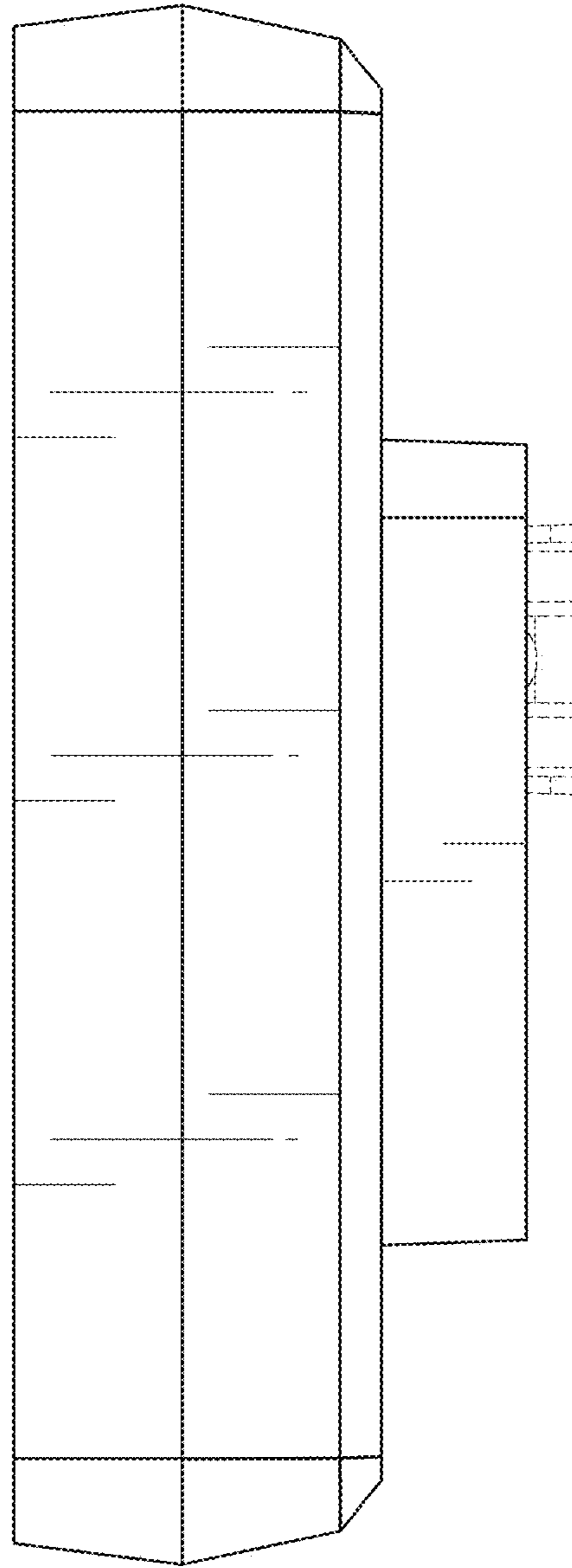


FIG. 6

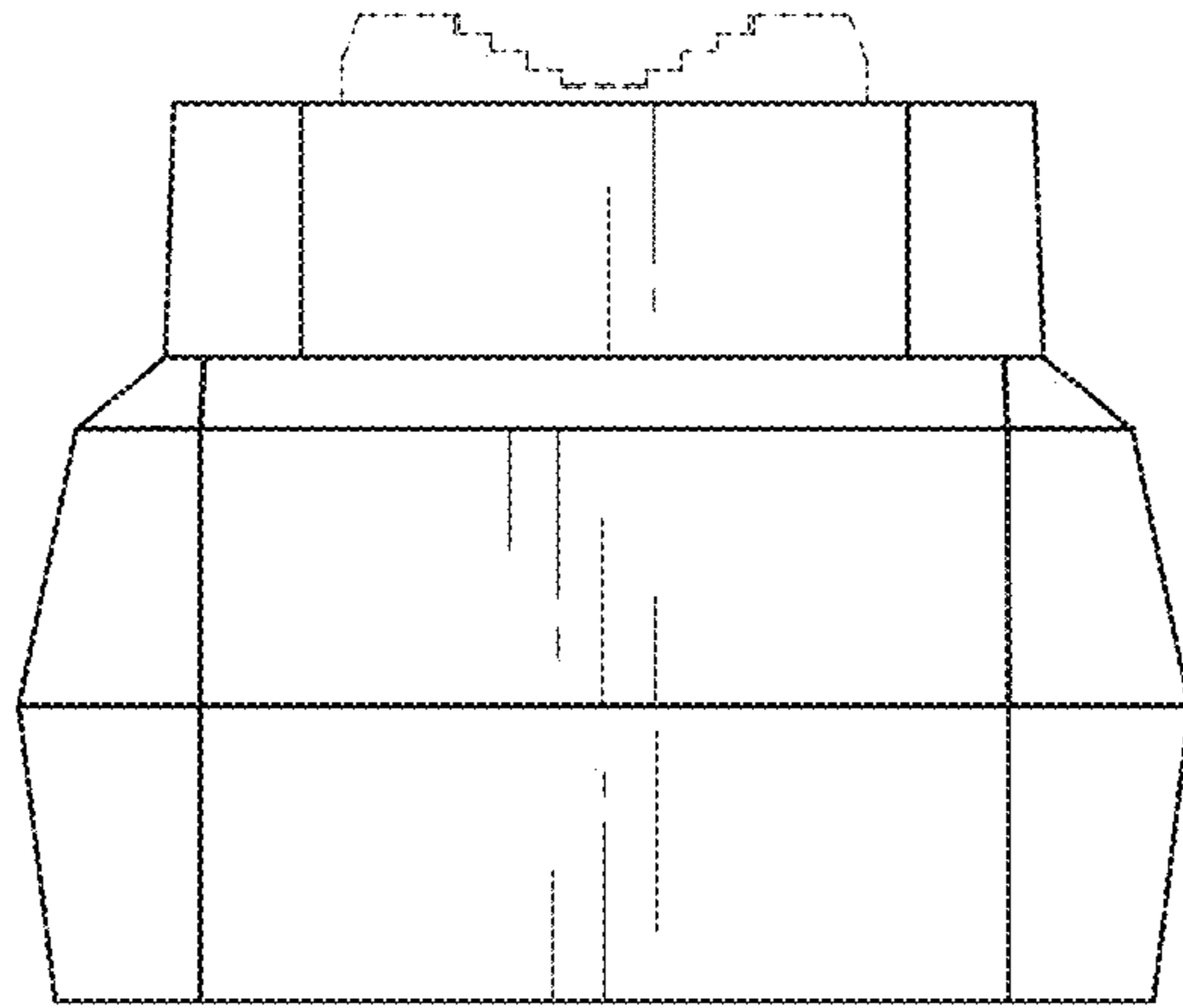


FIG. 7

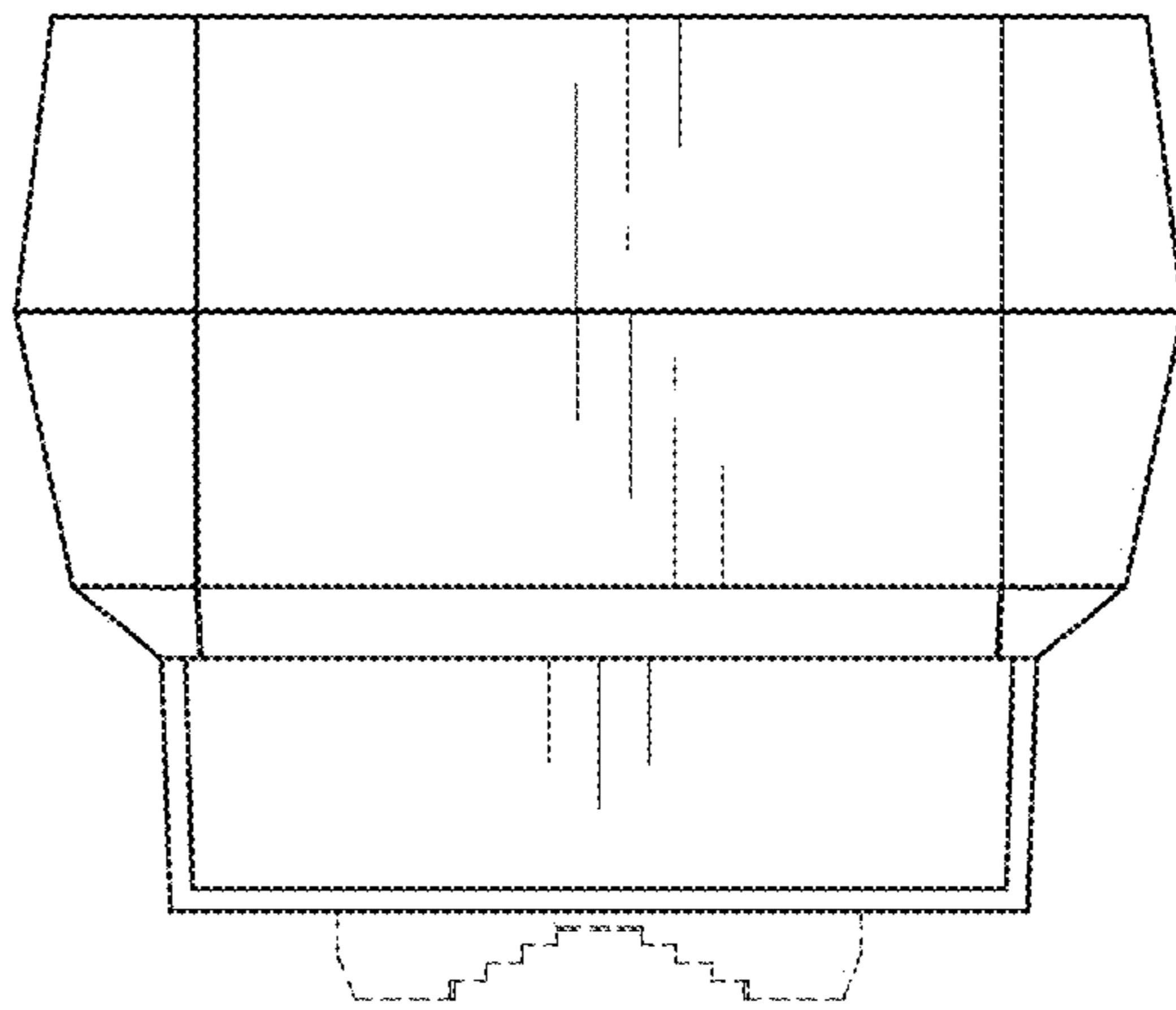


FIG. 8