



US00D954030S

(12) **United States Design Patent**
Wang

(10) **Patent No.:** **US D954,030 S**
(45) **Date of Patent:** **** Jun. 7, 2022**

(54) **MICROPHONE SPEAKER**

(71) Applicant: **Lan Wang**, Hubei (CN)

(72) Inventor: **Lan Wang**, Hubei (CN)

(**) Term: **15 Years**

(21) Appl. No.: **29/747,488**

(22) Filed: **Aug. 24, 2020**

(51) **LOC (13) Cl.** **14-01**

(52) **U.S. Cl.**
USPC **D14/226**

(58) **Field of Classification Search**

USPC D14/150, 154, 155, 158, 160, 172, 221,
D14/224, 225, 226, 227, 228, 229;
D17/99; D21/405, 513
CPC H04R 19/00; H04R 19/04; H04R 1/04;
H04R 1/08; H04R 1/326; H04R 1/406;
H04R 29/004; H04R 2410/00; H04R
2410/01; H04R 2410/03; H04R 2410/05;
H04R 2410/07; H04R 2420/07; H04R
17/02

See application file for complete search history.

(56) **References Cited**

U.S. PATENT DOCUMENTS

D324,049 S * 2/1992 Endo D14/228
5,127,870 A * 7/1992 Lin A63H 5/00
181/138
5,137,488 A * 8/1992 Yeh A63B 71/0686
446/303
D359,608 S * 6/1995 Allen D1/106
5,742,697 A * 4/1998 Ching-Chung H04R 1/083
381/355
D397,119 S * 8/1998 Okon D14/228
D430,232 S * 8/2000 She D14/225
D504,126 S * 4/2005 Saulespurens D14/228
D504,678 S * 5/2005 Ruhrig D14/228
D566,574 S * 4/2008 Ayinde D7/515
D576,498 S * 9/2008 Woods D9/600

D591,853 S * 5/2009 Osterberg D24/105
D623,631 S * 9/2010 Kung D14/228
D647,082 S * 10/2011 Rawson D14/228
D818,995 S * 5/2018 Cho D14/228
D820,356 S * 6/2018 Mantis D19/189
D820,910 S * 6/2018 Mantis D19/189
D834,566 S * 11/2018 Sunwoo D14/227
11,082,764 B1 * 8/2021 Chen H04R 1/342

(Continued)

FOREIGN PATENT DOCUMENTS

CN 306991987 * 12/2021
CN 307002493 * 12/2021
CN 307010677 * 12/2021

OTHER PUBLICATIONS

Kooringyue Wireless, first available Dec. 20, 2021 [online], [retrieved Jan. 20, 2022]. Available from the Internet, URL:<https://www.amazon.com/dp/B095H2DLHP/ref=cm_sw_em_r_mt_dp_8EWMS5FHRBN8J9G3DVX0>. (Year: 2021).*

(Continued)

Primary Examiner — Dana K Weiland
Assistant Examiner — Russell Carnell Smith, Jr.

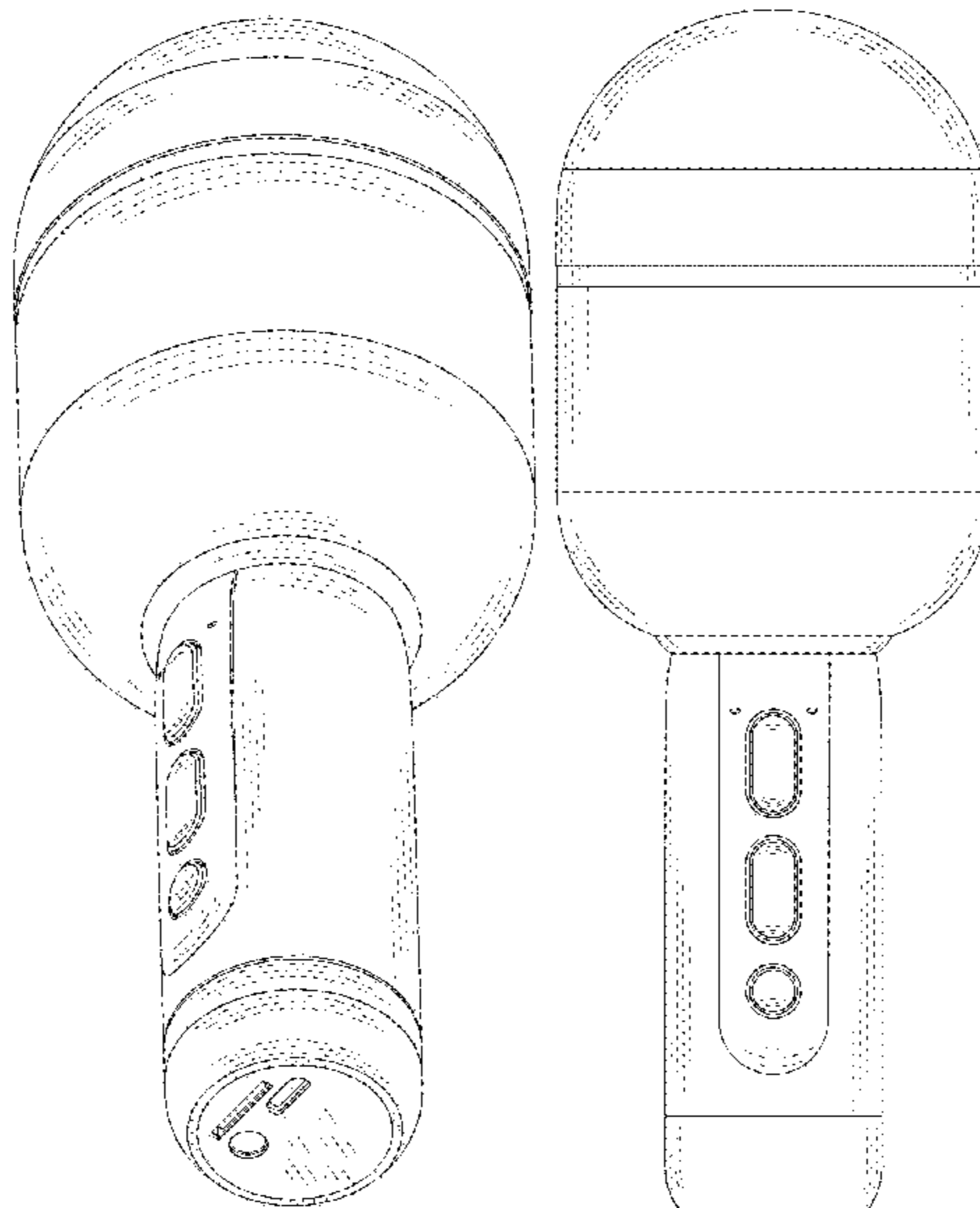
(57) **CLAIM**

The ornamental design for a microphone speaker, as shown and described.

DESCRIPTION

FIG. 1 is a perspective view of a microphone speaker showing my new design;
FIG. 2 is a front elevation view thereof;
FIG. 3 is a rear elevation view thereof;
FIG. 4 is a left side elevation view thereof;
FIG. 5 is a right side elevation view thereof;
FIG. 6 is a top plan view thereof; and,
FIG. 7 is a bottom plan view thereof.

1 Claim, 7 Drawing Sheets



(56)

References Cited

U.S. PATENT DOCUMENTS

D933,757 S * 10/2021 Wen D21/513

OTHER PUBLICATIONS

Karaoke Microphone Loud, first available Jul. 26, 2021 [online], [retrieved Jan. 20, 2022]. Available from the Internet, URL:<https://www.amazon.com/dp/B09B6N7ZYP/ref=cm_sw_em_r_mt_dp_1QN81XZ7D5X5Z9Z4NS0A>. (Year: 2021).*

Bonaok 2021 Wireless Bluetooth, first available Oct. 27, 2020 [online], [retrieved Jan. 20, 2022]. Available from the Internet, URL:<https://www.amazon.com/dp/B08LZ657TJ/ref=cm_sw_em_r_mt_dp_DEJPRHAZ2P2FAVBVB7P5>. (Year: 2020).*

* cited by examiner

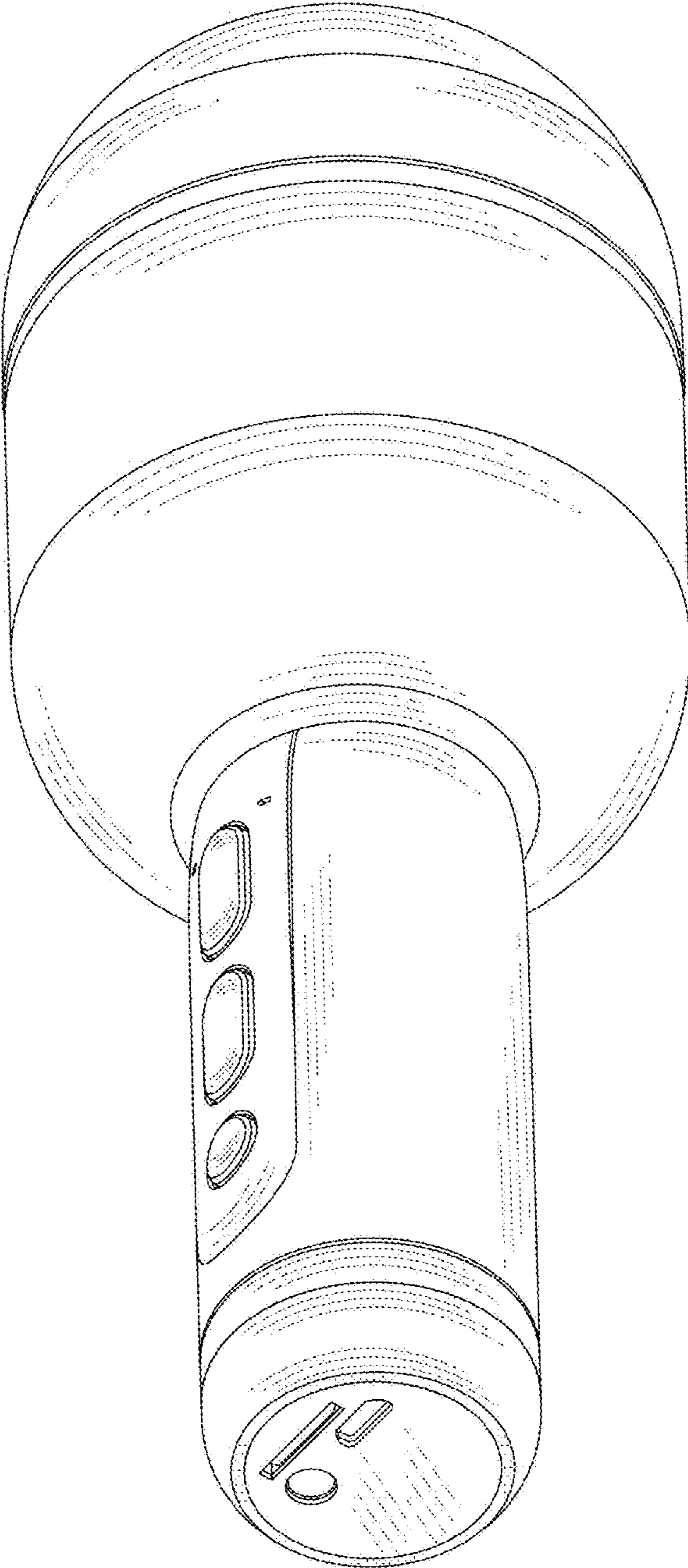


FIG.1

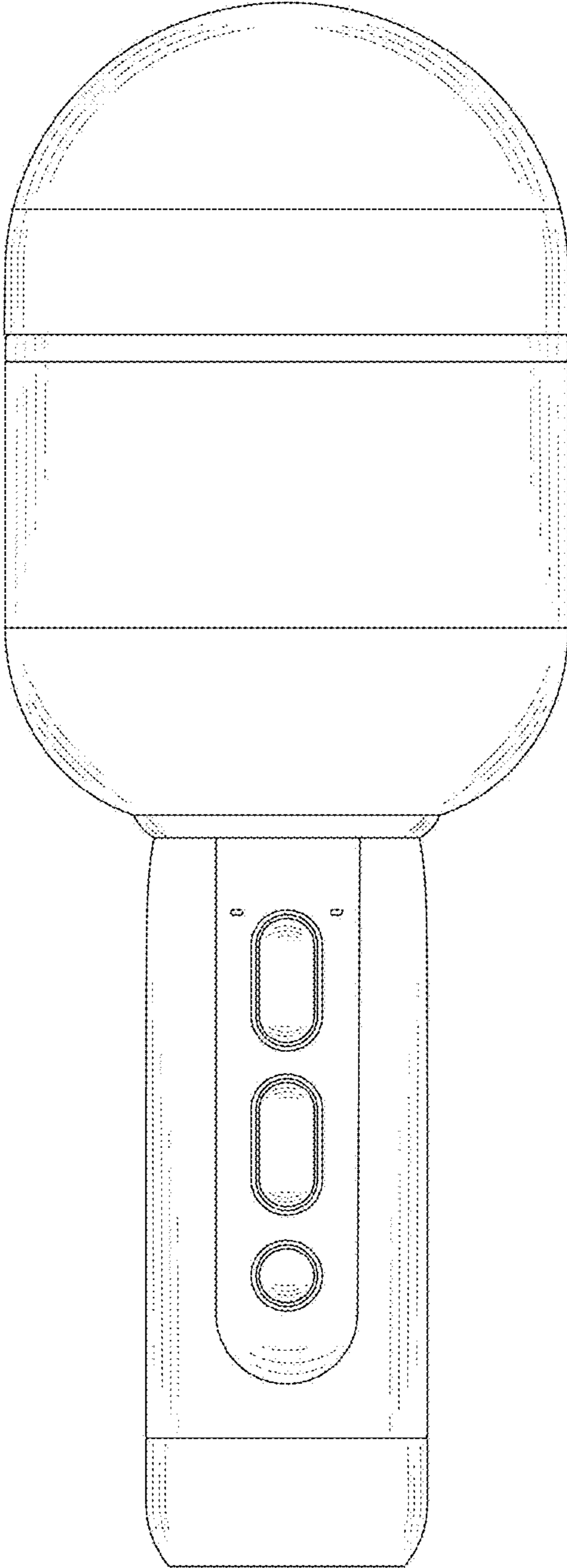


FIG.2

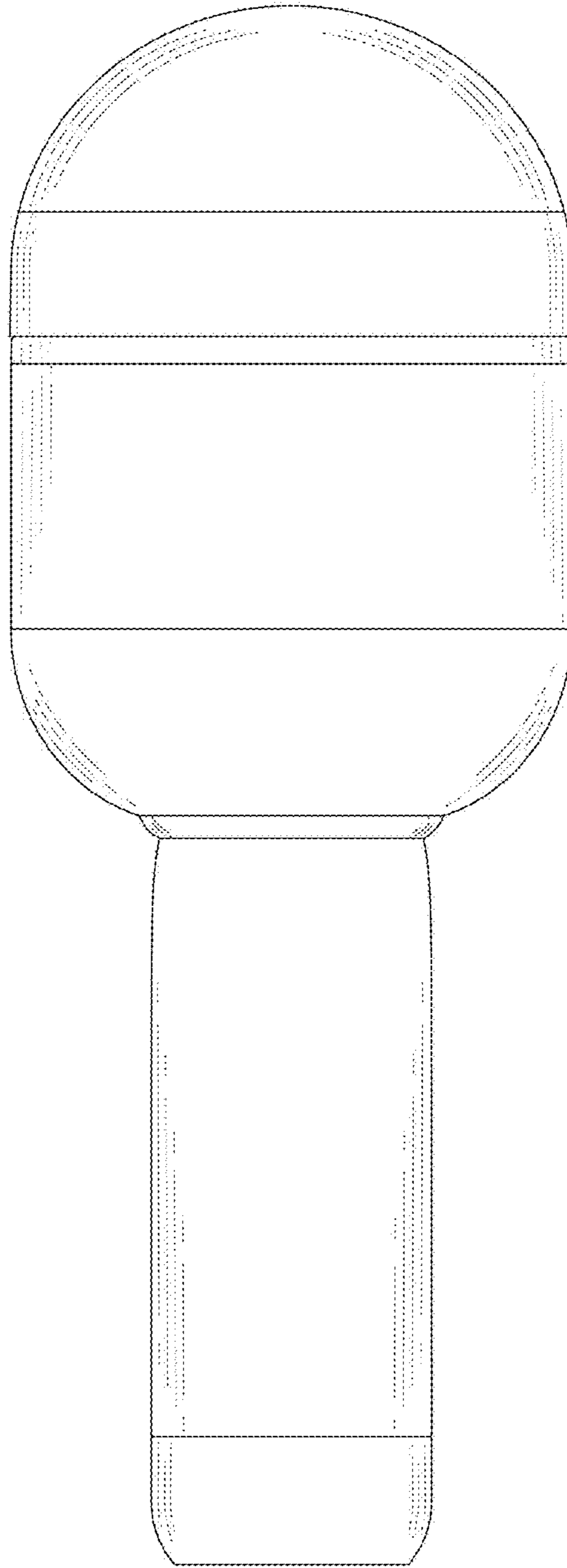


FIG.3

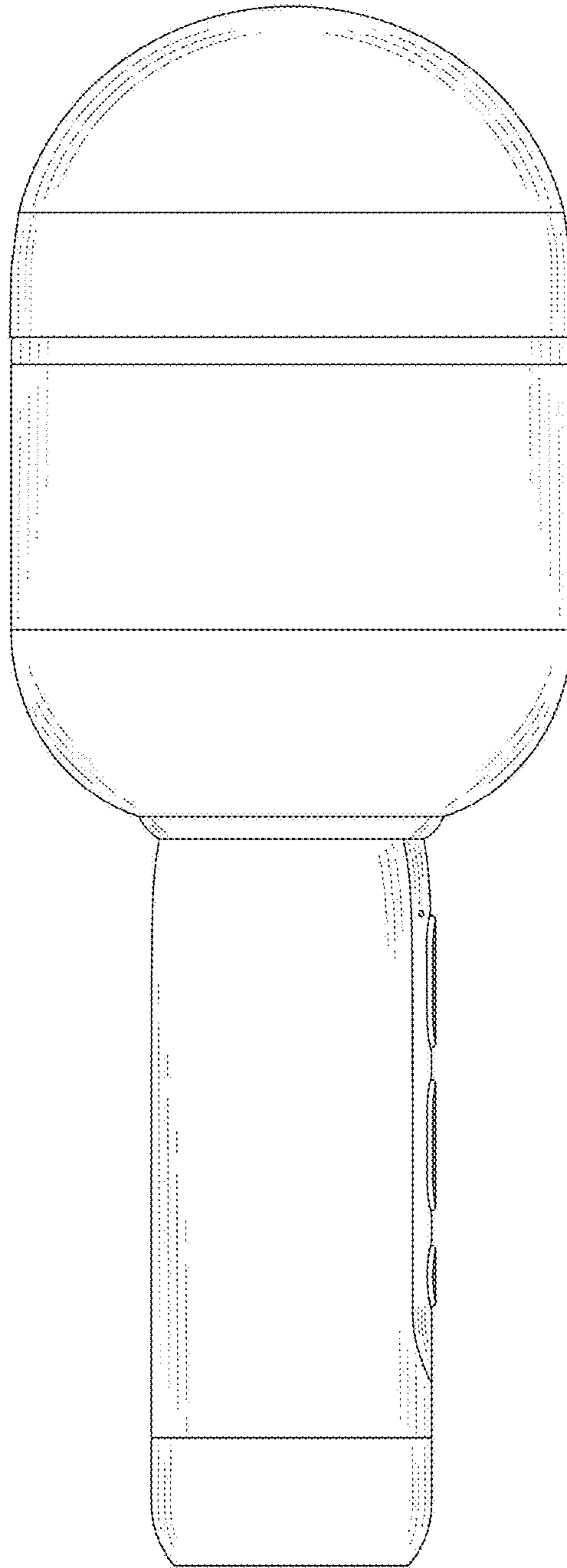


FIG.4

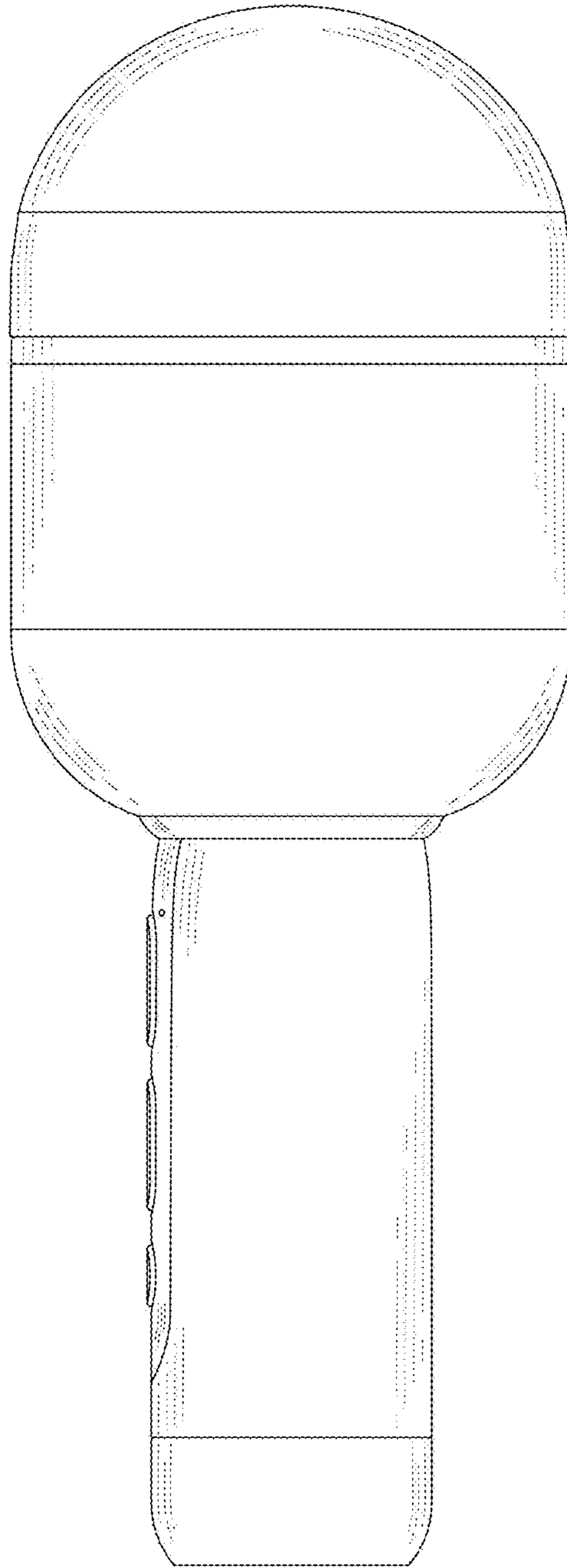


FIG.5

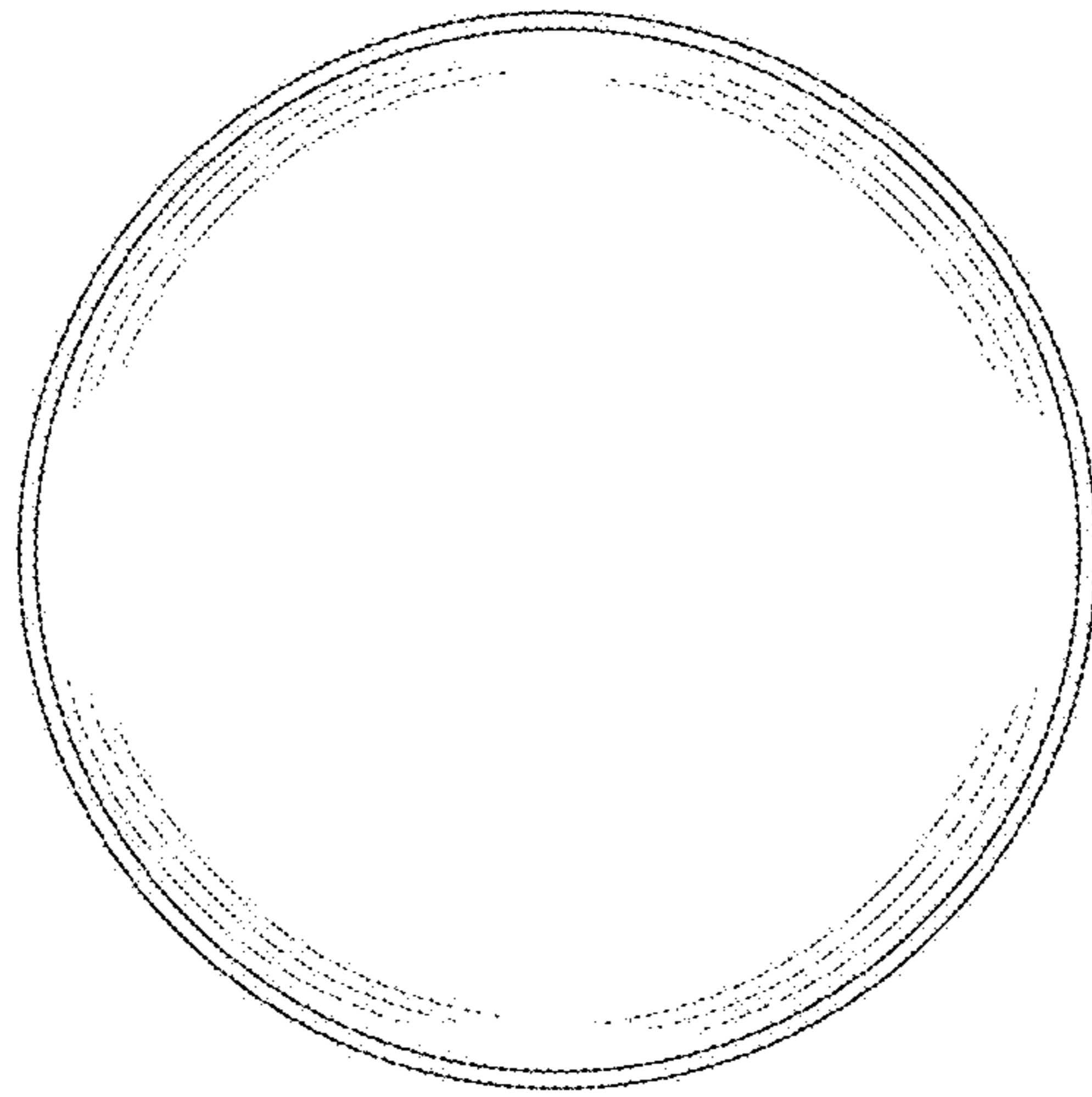


FIG.6

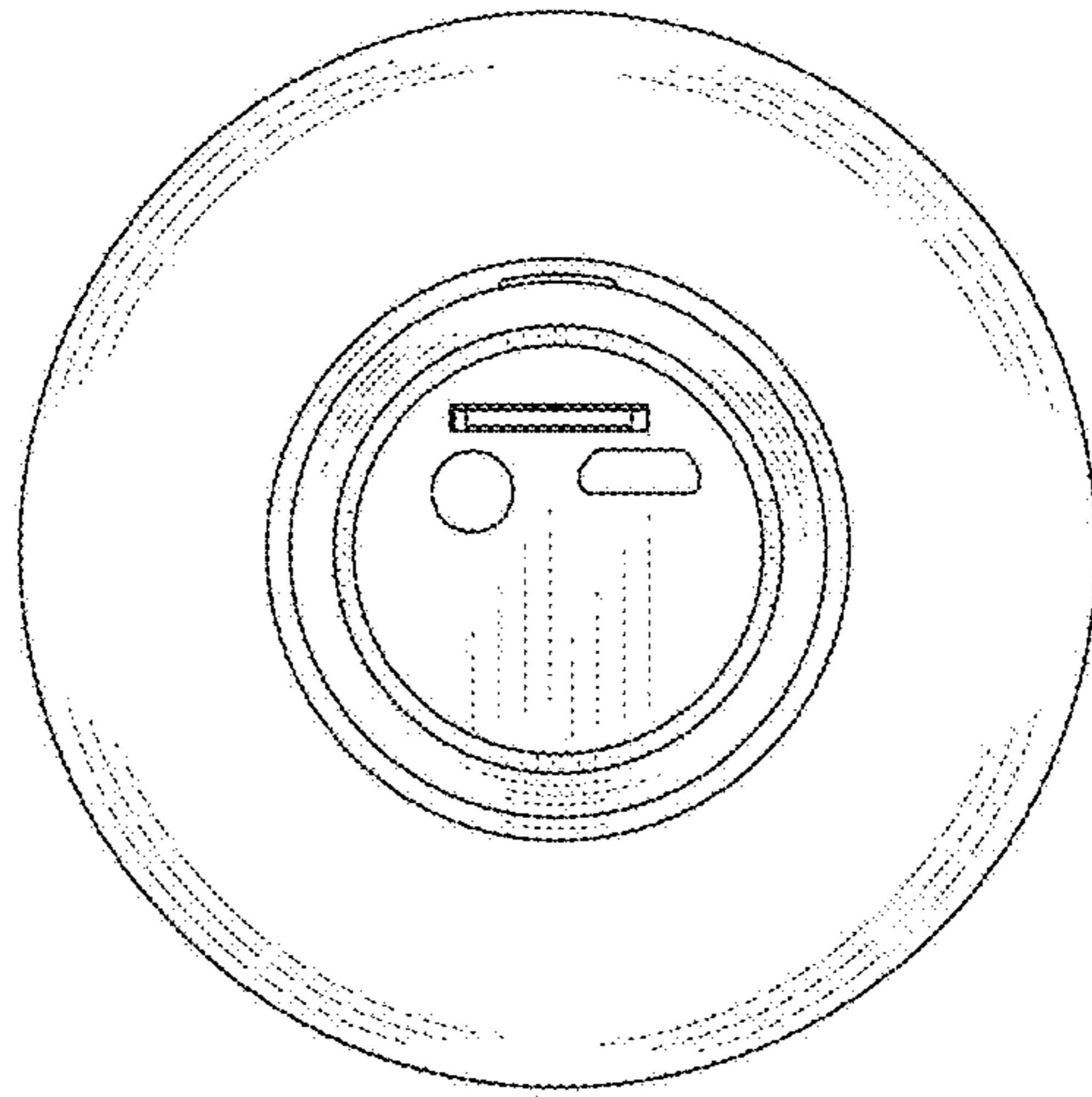


FIG. 7