



US00D954028S

(12) **United States Design Patent**  
**Gao**

(10) **Patent No.:** **US D954,028 S**  
(45) **Date of Patent:** **\*\* Jun. 7, 2022**

- (54) **EARPHONE COVER**
- (71) Applicant: **Shaozheng Gao**, Wujingfu Town (CN)
- (72) Inventor: **Shaozheng Gao**, Wujingfu Town (CN)
- (\*\*) Term: **15 Years**
- (21) Appl. No.: **29/780,744**
- (22) Filed: **Apr. 26, 2021**
- (51) **LOC (13) Cl.** ..... **14-01**
- (52) **U.S. Cl.**  
USPC ..... **D14/223**
- (58) **Field of Classification Search**  
USPC ..... D14/223, 205; D24/174; 128/864, 865,  
128/866; 381/380, 381, 325; 455/90.3,  
455/575.1, 569.1  
CPC ..... H04R 1/10; H04R 25/00; H04R 25/02;  
H04R 1/1016; H04R 1/1066; H04R  
1/105; H04R 5/033; H04R 5/0335; H04R  
1/1083; H04R 1/1091  
See application file for complete search history.

(56) **References Cited**

**U.S. PATENT DOCUMENTS**

- D469,755 S \* 2/2003 Hlas ..... D14/223
- 6,879,697 B2 \* 4/2005 Tøpholm ..... H04R 25/658  
381/328
- D523,845 S \* 6/2006 Smith ..... D14/205
- D532,110 S \* 11/2006 Bailey ..... D24/174
- D563,945 S \* 3/2008 Johns ..... D14/205
- D587,681 S \* 3/2009 Yanai ..... D14/205
- D618,210 S 6/2010 Andre et al.
- D622,704 S \* 8/2010 Fahrendorff ..... D14/223
- D628,990 S \* 12/2010 Pedersen ..... D14/223
- D644,213 S \* 8/2011 Quek ..... D14/223
- D645,458 S \* 9/2011 Silvestri ..... H04R 1/1016  
D14/223
- D655,693 S \* 3/2012 Silvestri ..... D14/223
- 8,311,253 B2 \* 11/2012 Silvestri ..... H04R 1/1075  
381/381
- D672,044 S \* 12/2012 Larsen ..... D24/174

- D694,220 S \* 11/2013 Lee ..... D14/223
  - D714,260 S \* 9/2014 Han ..... D14/223
  - D716,770 S \* 11/2014 Bonahoom ..... D14/223
  - 8,897,480 B2 \* 11/2014 Tan ..... H04R 1/1058  
381/370
  - D720,719 S 1/2015 Huang
  - D720,730 S \* 1/2015 Smith ..... D14/242
  - D721,354 S \* 1/2015 Thompson ..... D14/223
  - D727,301 S \* 4/2015 Smith ..... D14/223
  - D732,008 S \* 6/2015 Akana ..... H04R 1/1016  
D14/223
  - D735,180 S \* 7/2015 Smith ..... D14/242
- (Continued)

**FOREIGN PATENT DOCUMENTS**

- CN 302993075 \* 11/2014
  - CN 305274977 \* 7/2019
- (Continued)

*Primary Examiner* — Paula Allen Greene  
(74) *Attorney, Agent, or Firm* — Law Offices of Steven W. Weinrieb

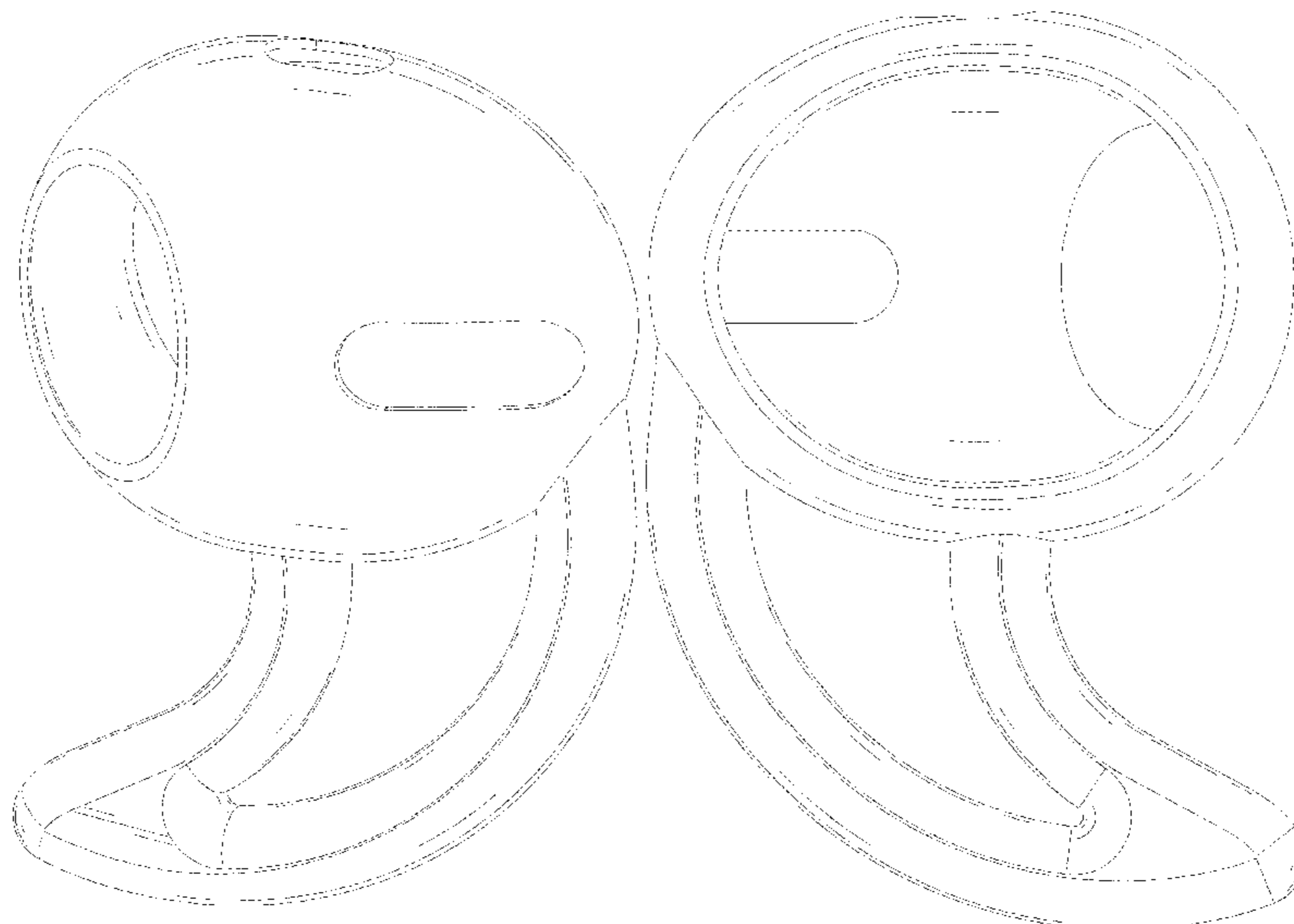
(57) **CLAIM**

The ornamental design for an earphone cover, as shown and described.

**DESCRIPTION**

FIG. 1 is a front, right side, top perspective view of an earphone cover showing my new design; FIG. 2 is a front elevational view thereof; FIG. 3 is a rear elevational view thereof; FIG. 4 is a left side elevational view thereof; FIG. 5 is a right side elevational view thereof; FIG. 6 is a top plan view thereof; and, FIG. 7 is a bottom plan view thereof. The broken lines depict portions of the earphone cover that form no part of the claimed design.

**1 Claim, 7 Drawing Sheets**



(56)

References Cited

U.S. PATENT DOCUMENTS

D742,362 S \* 11/2015 Bonahoom ..... D14/223  
 D744,456 S \* 12/2015 Pedersen ..... D14/223  
 D755,158 S \* 5/2016 Lee ..... D14/223  
 D759,633 S \* 6/2016 Gondo ..... D14/223  
 D763,224 S \* 8/2016 Silvestri ..... A61F 11/08  
 D770,425 S \* 11/2016 Son ..... D14/223  
 D780,157 S \* 2/2017 Ugglä ..... D14/223  
 D794,613 S \* 8/2017 Hayden ..... D14/223  
 9,854,345 B2 \* 12/2017 Briggs ..... H04R 1/1016  
 D822,646 S \* 7/2018 Dang ..... D14/223  
 D828,825 S \* 9/2018 Samrelius ..... D14/223  
 D835,077 S \* 12/2018 Aoyagi ..... D14/223  
 10,212,507 B1 \* 2/2019 Maguire ..... H04R 1/1041  
 D847,124 S \* 4/2019 Smith ..... D14/223  
 D860,172 S \* 9/2019 Yun ..... D14/223  
 D866,532 S \* 11/2019 Zhang ..... D14/223  
 D869,444 S \* 12/2019 Tang ..... D14/223  
 D870,079 S \* 12/2019 Yun ..... D14/223  
 D881,163 S \* 4/2020 Duddy ..... D14/223  
 D881,164 S \* 4/2020 Luo ..... D14/223  
 D881,165 S \* 4/2020 Lee ..... D14/223  
 D881,166 S \* 4/2020 Lee ..... D14/223  
 D883,959 S \* 5/2020 Lee

10,835,145 B1 \* 11/2020 Prevoir ..... H04R 1/1041  
 D920,290 S \* 5/2021 Schaal ..... D14/223  
 D930,619 S \* 9/2021 Lindenberger ..... D14/223  
 2011/0255729 A1 \* 10/2011 Tan ..... H04R 1/1016  
 2014/0119589 A1 \* 5/2014 Wyzisk ..... H04R 1/105  
 2015/0264467 A1 \* 9/2015 Annunziata ..... H04R 1/105  
 2016/0073186 A1 \* 3/2016 Searl ..... H04R 1/105  
 2016/0261942 A1 \* 9/2016 Hayden ..... H04R 1/1016  
 2017/0311069 A1 \* 10/2017 Prevoir ..... H04R 1/1058  
 2018/0210558 A1 \* 7/2018 Zhang ..... G06F 3/0237  
 2018/0310089 A1 \* 10/2018 Yun ..... H04R 1/1016  
 2018/0376236 A1 \* 12/2018 Prevoir ..... H04R 1/1066  
 2019/0231197 A1 \* 8/2019 Kirszenblat ..... H04R 1/1016  
 2020/0204896 A1 \* 6/2020 Hanson ..... H04R 1/1016  
 2020/0221201 A1 \* 7/2020 Zalisk ..... H04R 1/1016  
 2020/0245049 A1 \* 7/2020 Karayiannis ..... H04R 1/1041

FOREIGN PATENT DOCUMENTS

CN 305291351 \* 8/2019  
 GB 6132275 \* 4/2021

\* cited by examiner

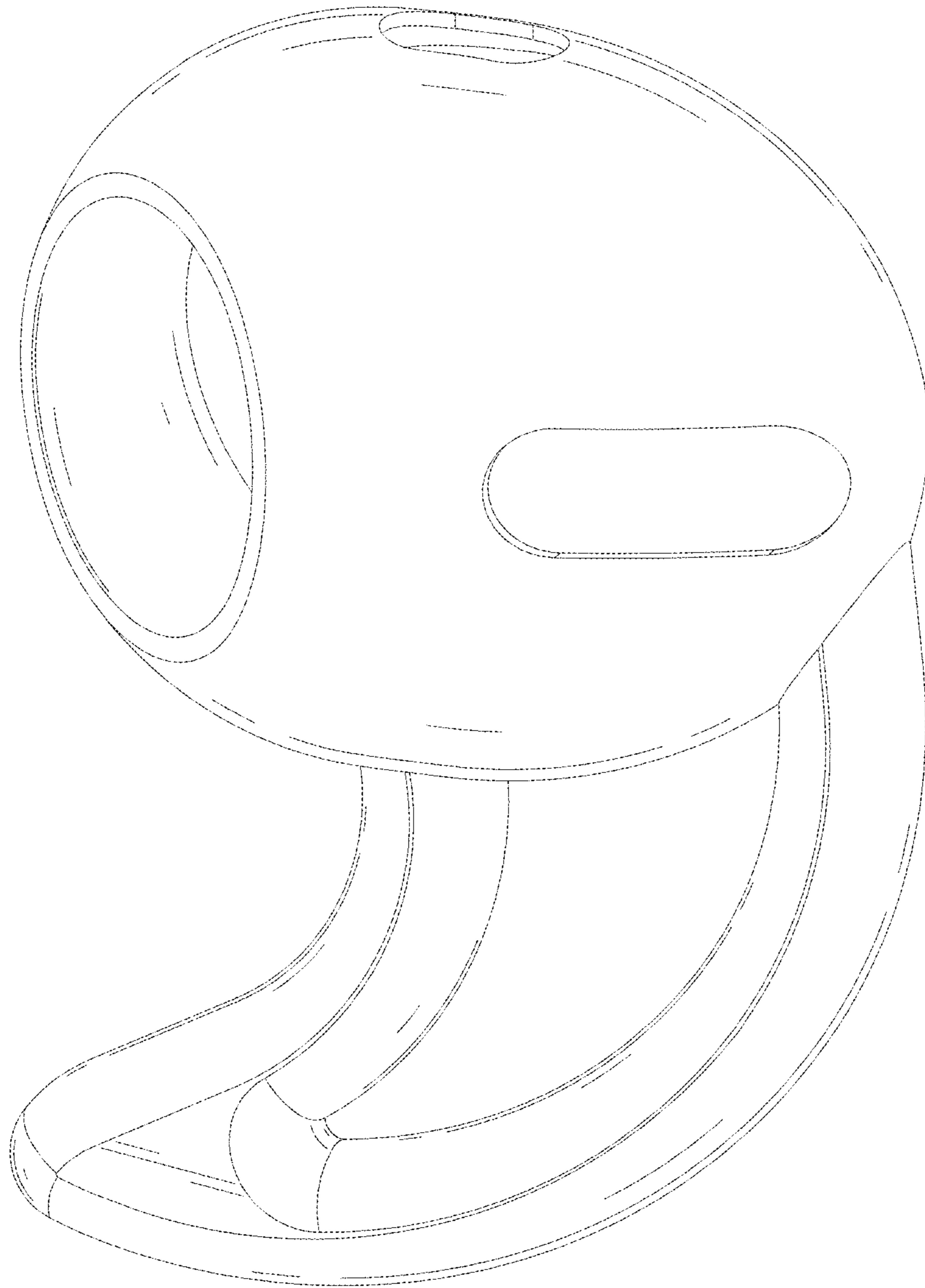


FIG.1

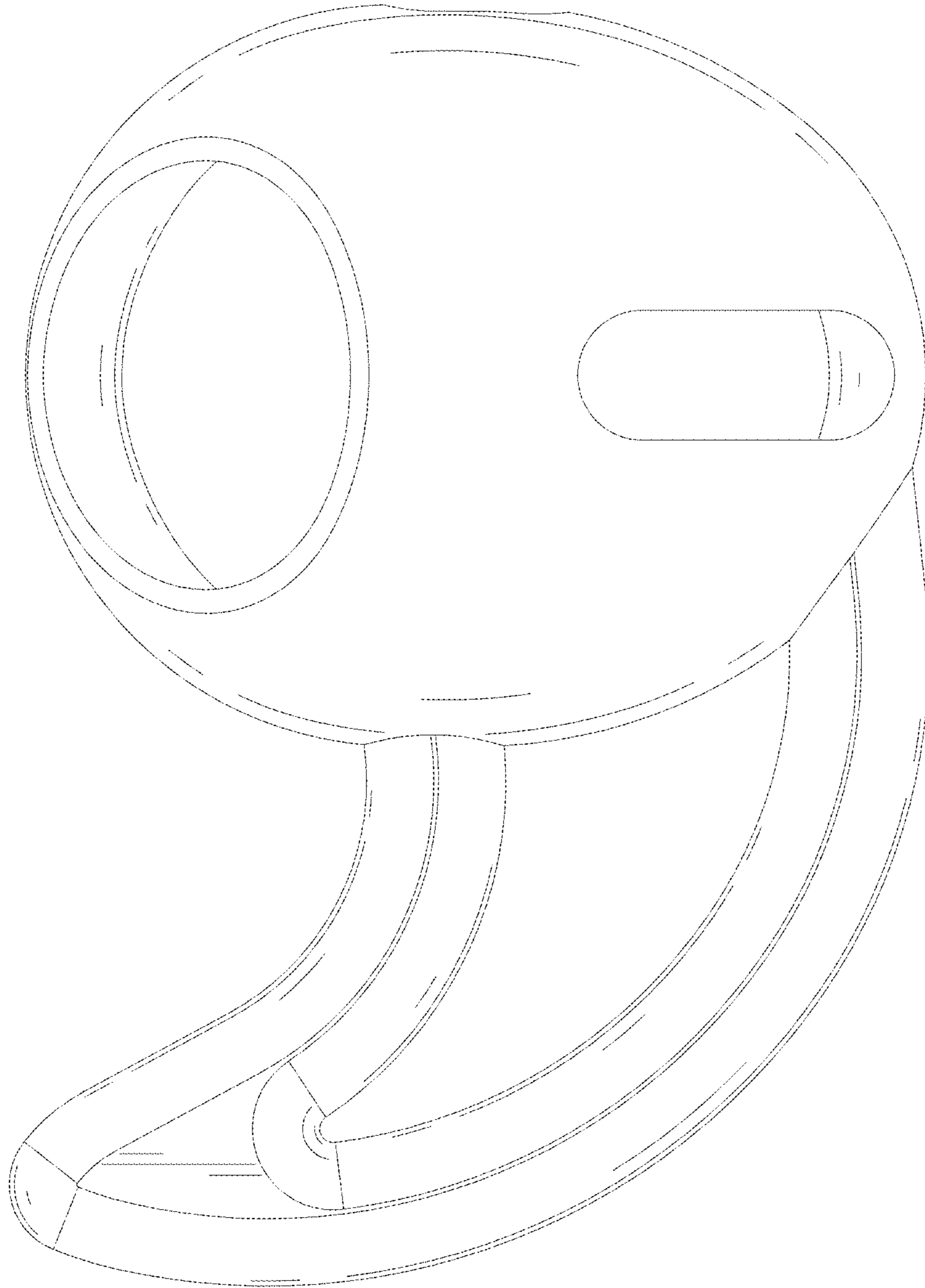


FIG.2

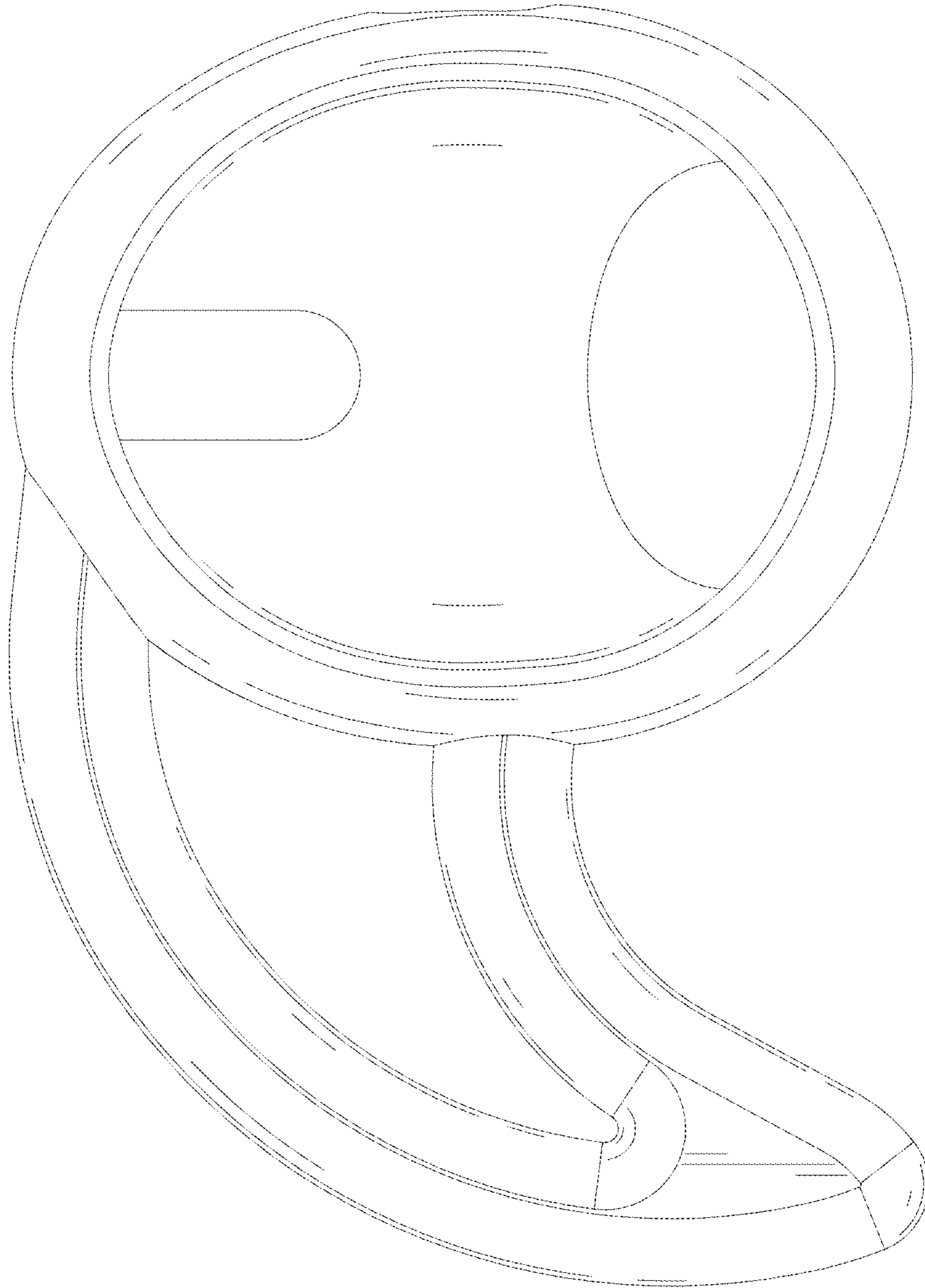


FIG. 3

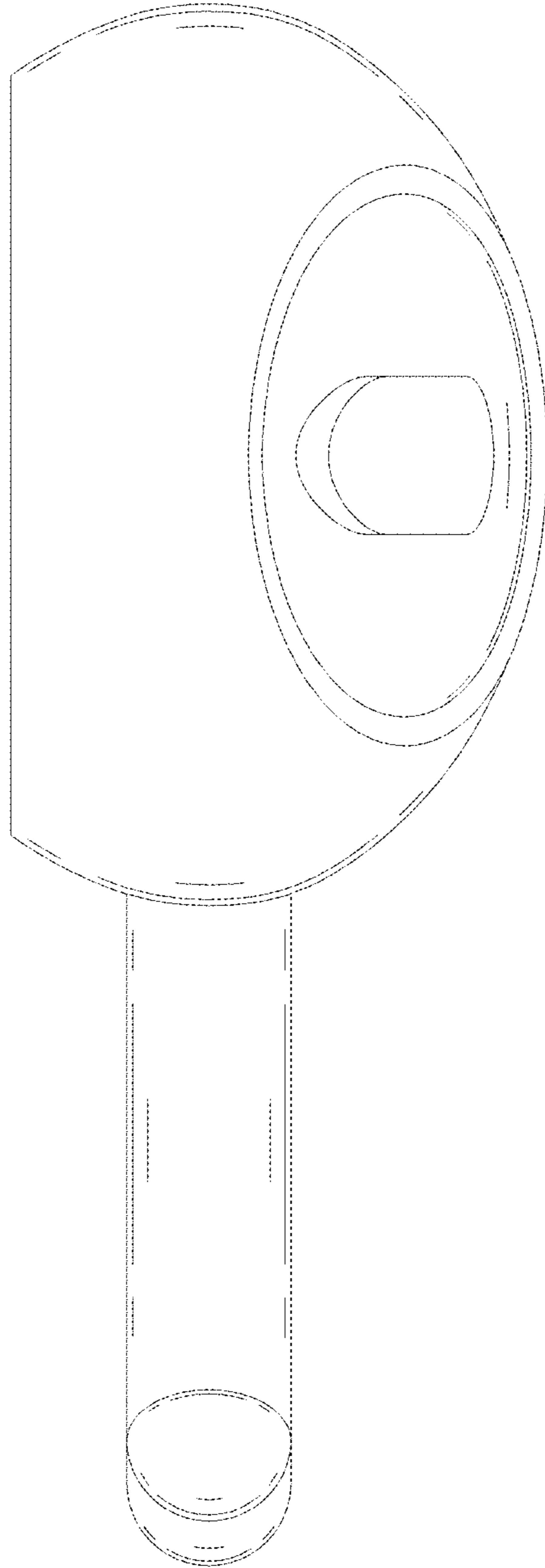


FIG. 4

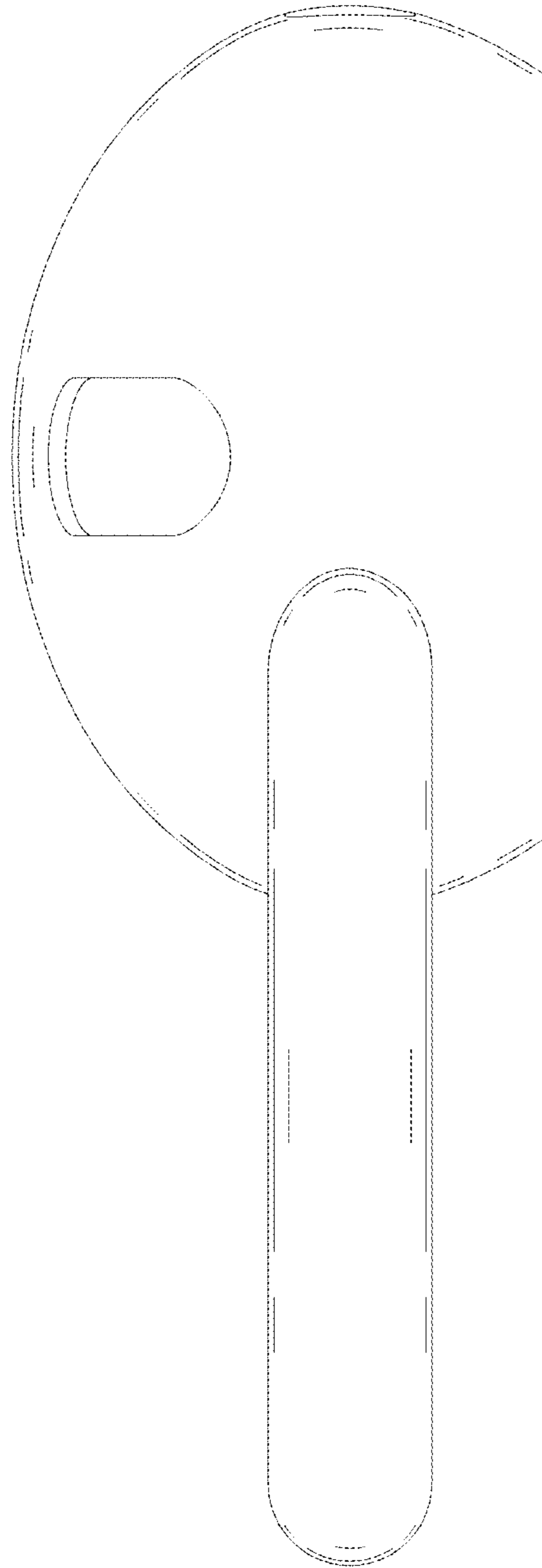


FIG. 5

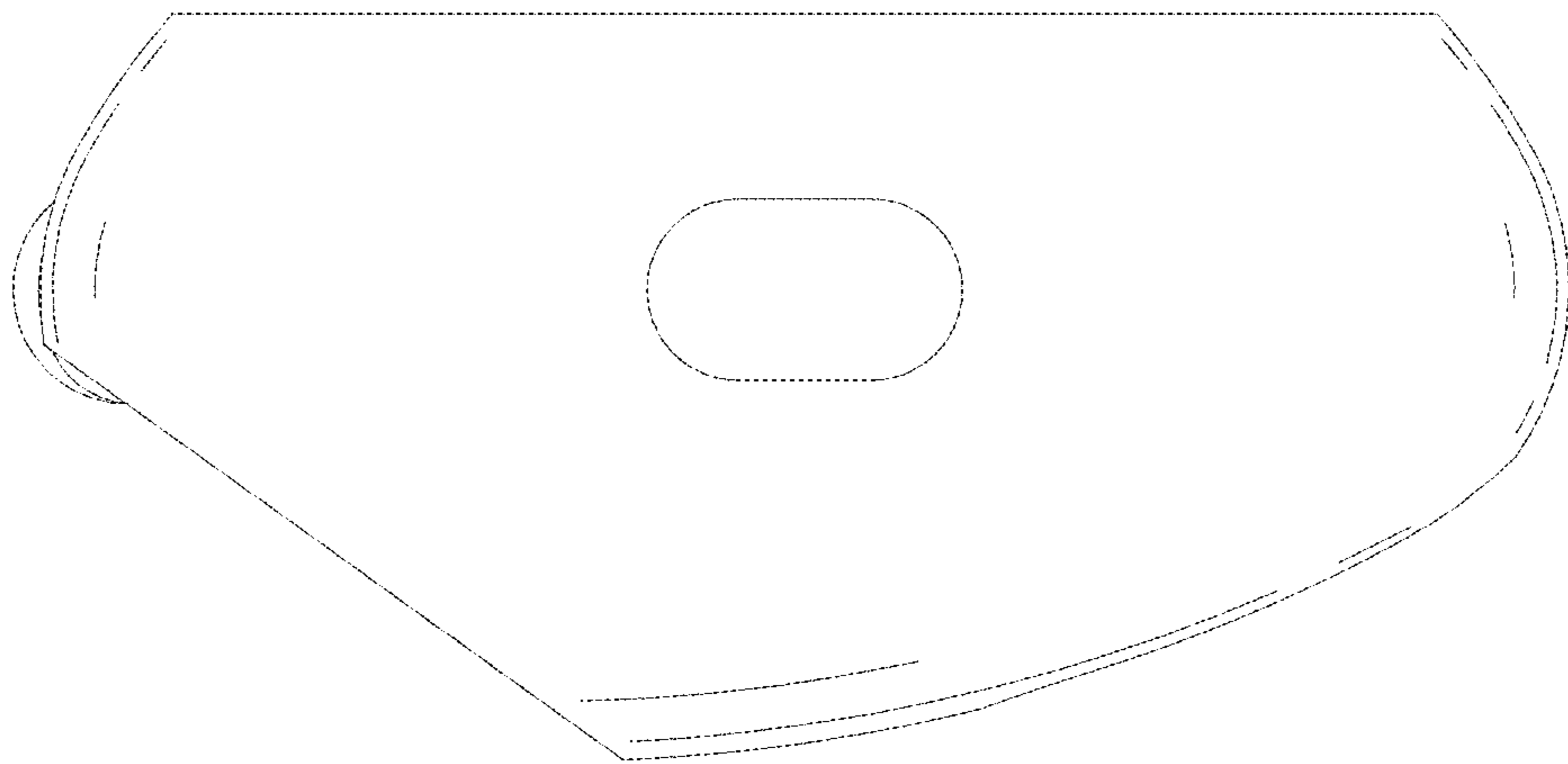


FIG.6



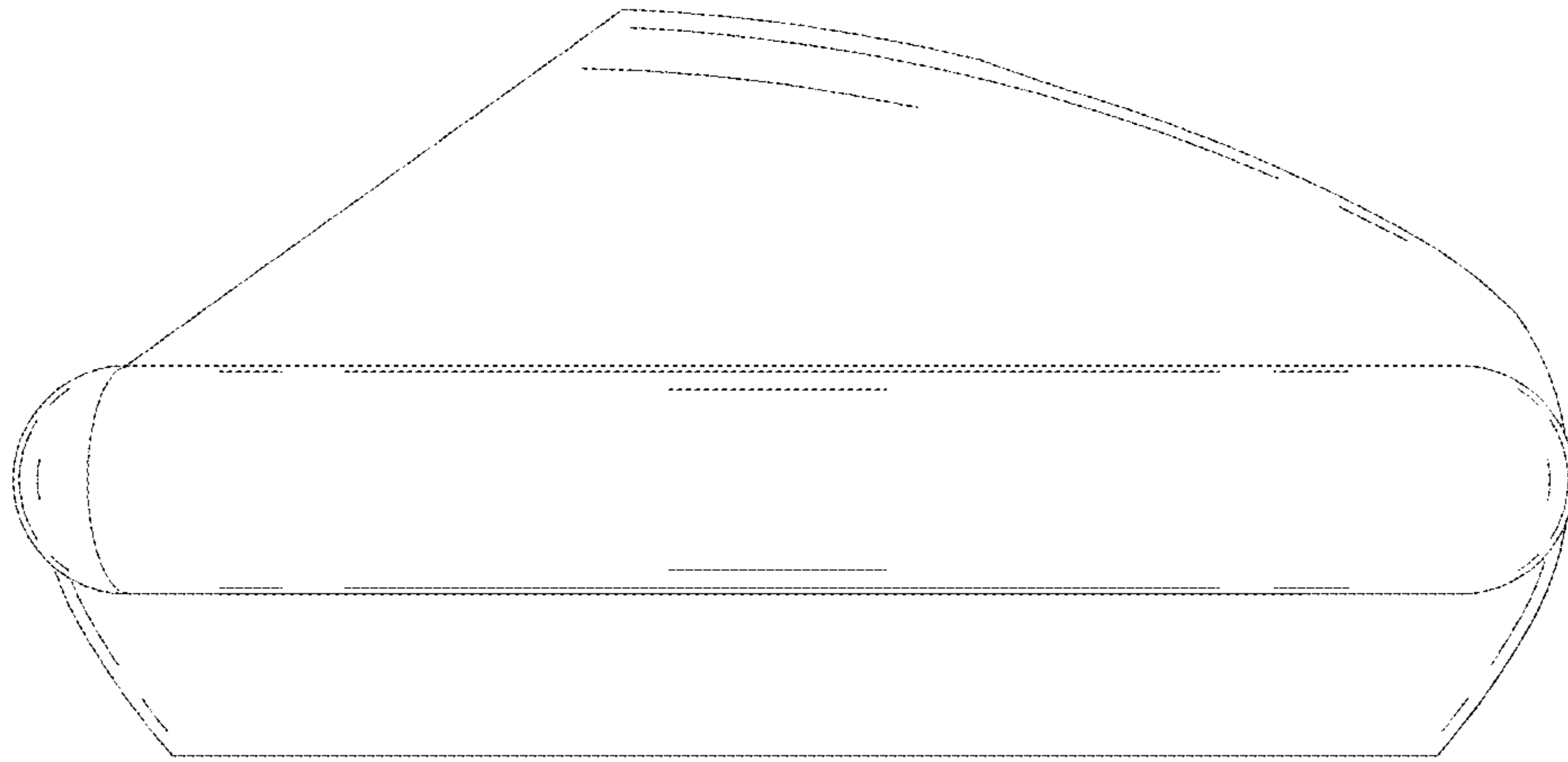


FIG.7