



US00D954027S

(12) **United States Design Patent**  
**Chen**

(10) **Patent No.:** **US D954,027 S**

(45) **Date of Patent:** **\*\* Jun. 7, 2022**

(54) **EARPHONE**

(71) Applicant: **Shenzhen Ausounds Intelligent Co., Ltd., Shenzhen (CN)**

(72) Inventor: **Aimin Chen, Shenzhen (CN)**

(73) Assignee: **Shenzhen Ausounds Intelligent Co., Ltd., Shenzhen (CN)**

(\*\*) Term: **15 Years**

(21) Appl. No.: **29/767,853**

(22) Filed: **Jan. 26, 2021**

(51) **LOC (13) Cl.** ..... **14-01**

(52) **U.S. Cl.**  
USPC ..... **D14/223**

(58) **Field of Classification Search**  
USPC ..... D14/223, 205; D24/174; 128/864-866;  
381/380, 381, 322, 325, 328; 455/90.3,  
455/575.1, 569.1  
CPC ..... H04R 1/10; H04R 25/00; H04R 25/02;  
H04R 1/1016; H04R 1/1066; H04R  
5/033; H04R 5/0335; H04R 1/1058;  
H04R 1/1091; H04R 1/1041

See application file for complete search history.

(56) **References Cited**

**U.S. PATENT DOCUMENTS**

D287,764 S *	1/1987	Topholm	.....	D24/174
D481,709 S *	11/2003	Solderits	.....	D14/223
D666,580 S *	9/2012	Lee	.....	D14/223
D666,581 S *	9/2012	Perez	.....	D14/223
D735,169 S *	7/2015	Shieh	.....	D14/223
D777,710 S *	1/2017	Palmborg	.....	D14/223
D806,879 S *	1/2018	Horbinski	.....	D24/174
D812,042 S *	3/2018	Xiao	.....	D14/223
D813,205 S *	3/2018	Palmborg	.....	D14/223
D841,626 S *	2/2019	Tang	.....	D14/223
D843,354 S *	3/2019	Kumano	.....	D14/223

D845,932 S *	4/2019	Lu	.....	D14/223
D852,171 S *	6/2019	Cai	.....	D14/223
D858,489 S *	9/2019	Hu	.....	D14/223
D868,752 S *	12/2019	Zhu	.....	D14/223
D871,376 S *	12/2019	Zhou	.....	D14/223
D872,064 S *	1/2020	Cai	.....	D14/223
D880,457 S *	4/2020	Zhu	.....	D14/223
D883,261 S *	5/2020	Zhang	.....	D14/223
D889,441 S *	7/2020	Lin	.....	D14/223
D892,086 S *	8/2020	Bonahoom	.....	D14/223
D895,580 S *	9/2020	Yu	.....	D14/223
D896,205 S *	9/2020	Zhang	.....	D14/223
D897,319 S *	9/2020	Wang	.....	D14/223
D897,322 S *	9/2020	Wei	.....	D14/223

(Continued)

**FOREIGN PATENT DOCUMENTS**

JP	D1660444	*	5/2020
JP	D1710362	*	3/2022

(Continued)

*Primary Examiner* — Paula Allen Greene

(74) *Attorney, Agent, or Firm* — Westbridge IP LLC

(57) **CLAIM**

The ornamental design for an earphone, as shown and described.

**DESCRIPTION**

FIG. 1 is a front perspective view of an earphone showing my new design;

FIG. 2 is a rear perspective view thereof;

FIG. 3 is a front elevational view thereof;

FIG. 4 is a rear elevational view thereof;

FIG. 5 is a left side elevational view thereof;

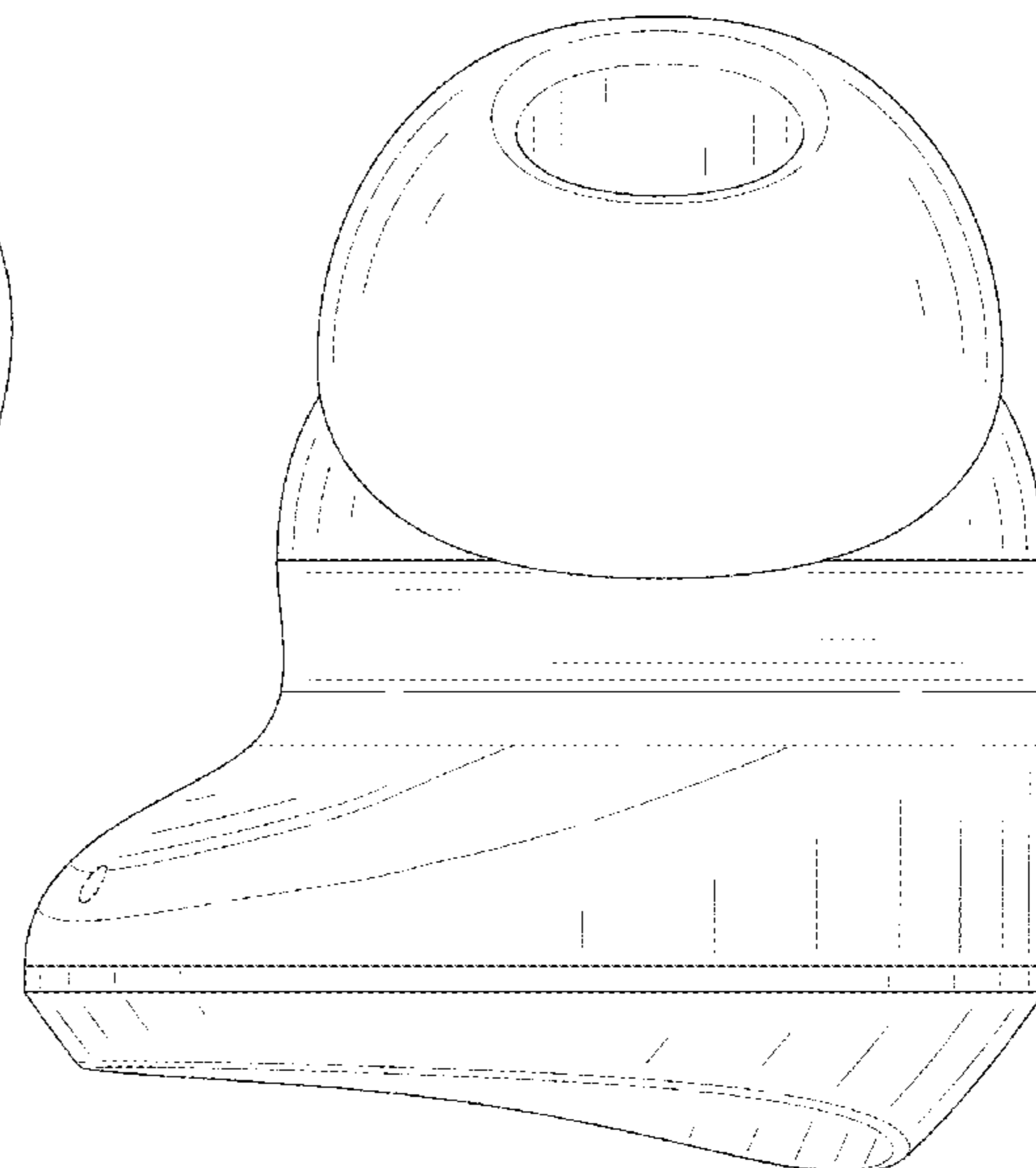
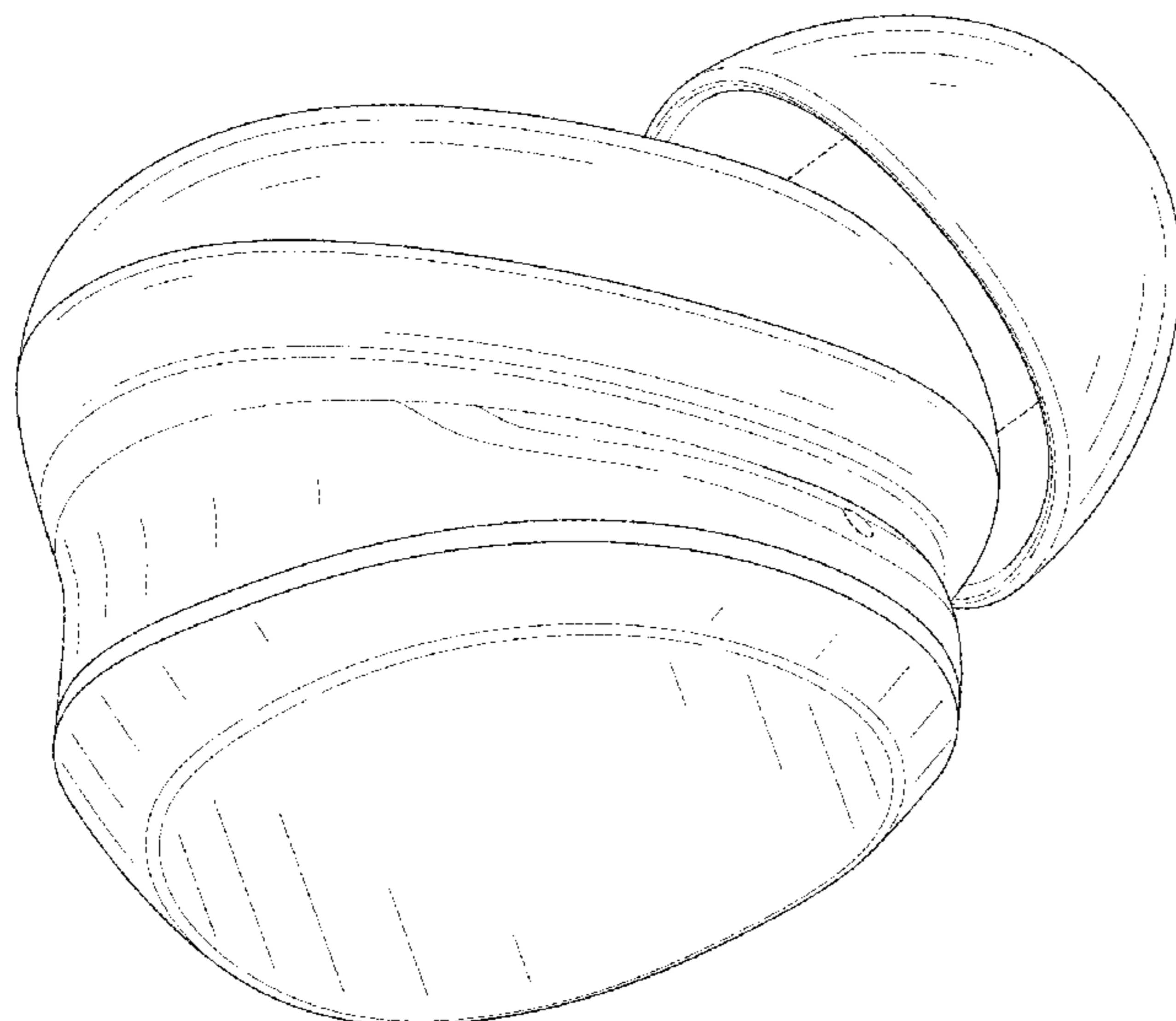
FIG. 6 is a right side elevational view thereof;

FIG. 7 is a top plan view thereof; and,

FIG. 8 is a bottom plan view thereof.

The broken lines in the drawings illustrate the portions of the earphone which form no part of the claimed design.

**1 Claim, 8 Drawing Sheets**



(56)

References Cited

U.S. PATENT DOCUMENTS

D900,064 S \* 10/2020 Laffon De Mazieres ... D14/223  
 D902,184 S \* 11/2020 Yang ..... D14/223  
 10,827,249 B1 \* 11/2020 Pine ..... H04R 1/1041  
 D903,638 S \* 12/2020 Li ..... D14/223  
 D906,292 S \* 12/2020 Wang ..... D14/223  
 D908,667 S \* 1/2021 He ..... D14/223  
 D920,288 S \* 5/2021 Vautour ..... D14/223  
 D920,958 S \* 6/2021 Ye ..... D14/223  
 D922,358 S \* 6/2021 Li ..... D14/223  
 D925,492 S \* 7/2021 Sugiura ..... D14/223  
 D927,466 S \* 8/2021 Zhang ..... D14/223  
 D929,378 S \* 8/2021 Li ..... D14/223  
 D930,615 S \* 9/2021 Tanaka ..... D14/223  
 D930,617 S \* 9/2021 Tanaka ..... D14/223  
 D934,841 S \* 11/2021 Takubo ..... D14/223  
 D941,275 S \* 1/2022 Liu ..... D14/223  
 D941,805 S \* 1/2022 Li ..... D14/223  
 D945,405 S \* 3/2022 Rose ..... D14/223

D947,817 S \* 4/2022 Nakamura ..... D14/223  
 2016/0269823 A1 \* 9/2016 Lee ..... H04R 1/1016  
 2016/0316289 A1 \* 10/2016 Huang ..... H04R 1/1075  
 2017/0180844 A1 \* 6/2017 Nanni ..... H04W 76/10  
 2018/0035196 A1 \* 2/2018 Yeung ..... H04R 1/1058  
 2018/0048954 A1 \* 2/2018 Förstner ..... H04R 1/1041  
 2019/0069066 A1 \* 2/2019 Song ..... E05C 19/16  
 2020/0186906 A1 \* 6/2020 Birch ..... H04R 1/1041  
 2021/0014598 A1 \* 1/2021 Pine ..... H04R 1/1025  
 2021/0152921 A1 \* 5/2021 Silva ..... H04R 1/1058  
 2021/0250671 A1 \* 8/2021 Bigeh ..... H04R 1/1016  
 2021/0352395 A1 \* 11/2021 Wang ..... A61B 5/02438  
 2021/0400370 A1 \* 12/2021 Pine ..... H04R 1/1025  
 2022/0095040 A1 \* 3/2022 Holley ..... H04R 1/1016

FOREIGN PATENT DOCUMENTS

TW 217443-0001 \* 10/2020  
 WO D213157-001 \* 2/2021

\* cited by examiner

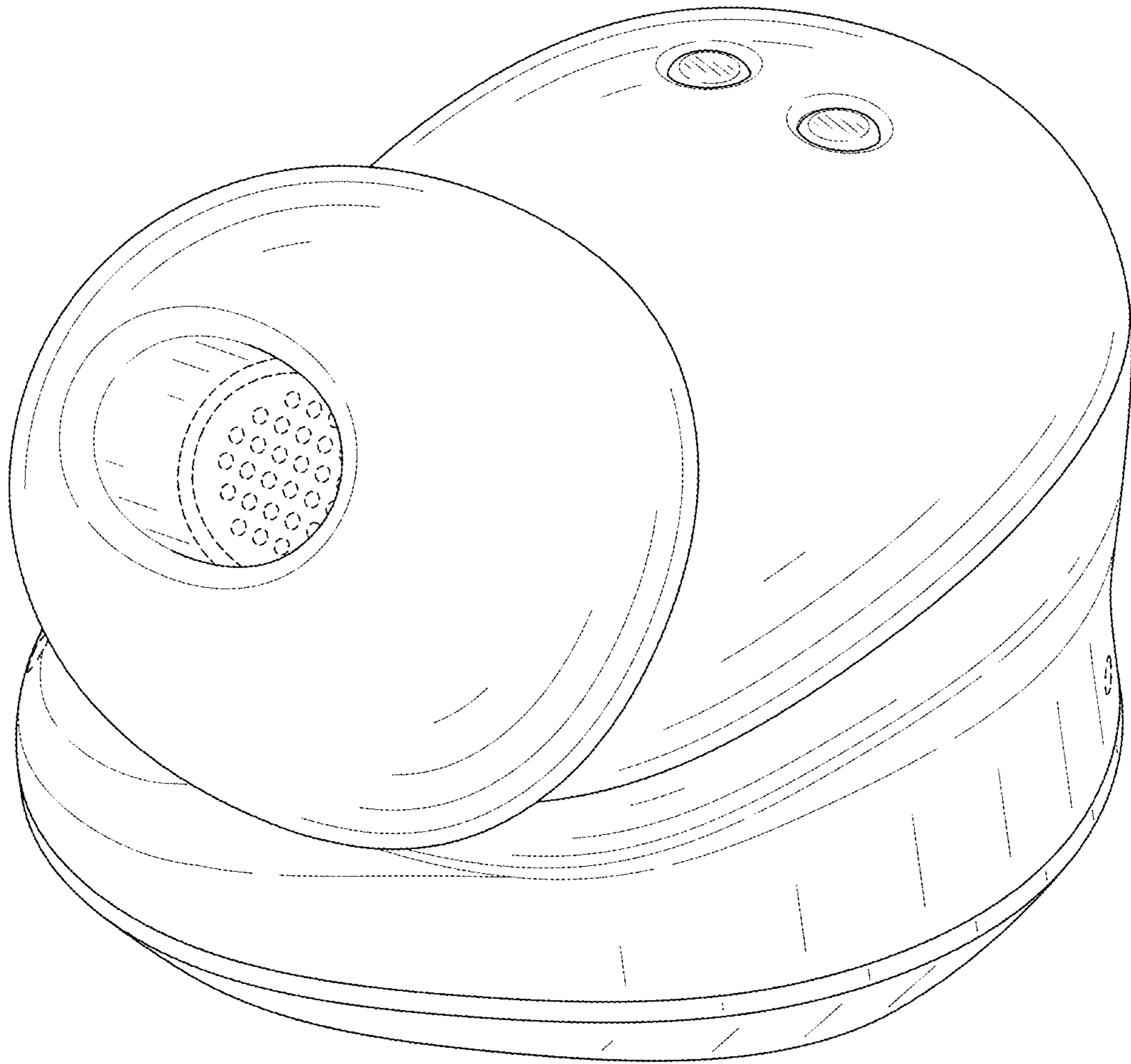


FIG. 1

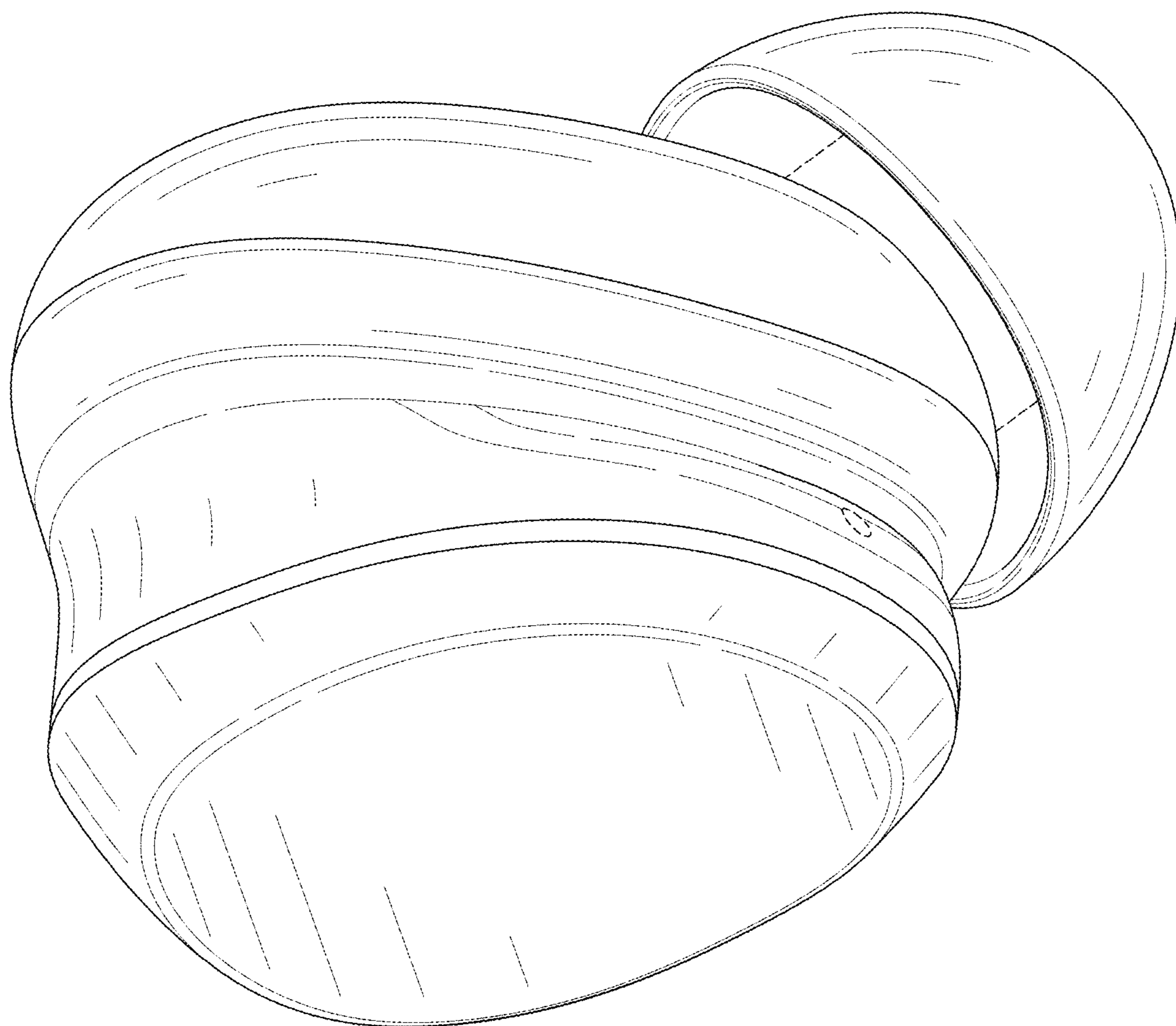


FIG. 2

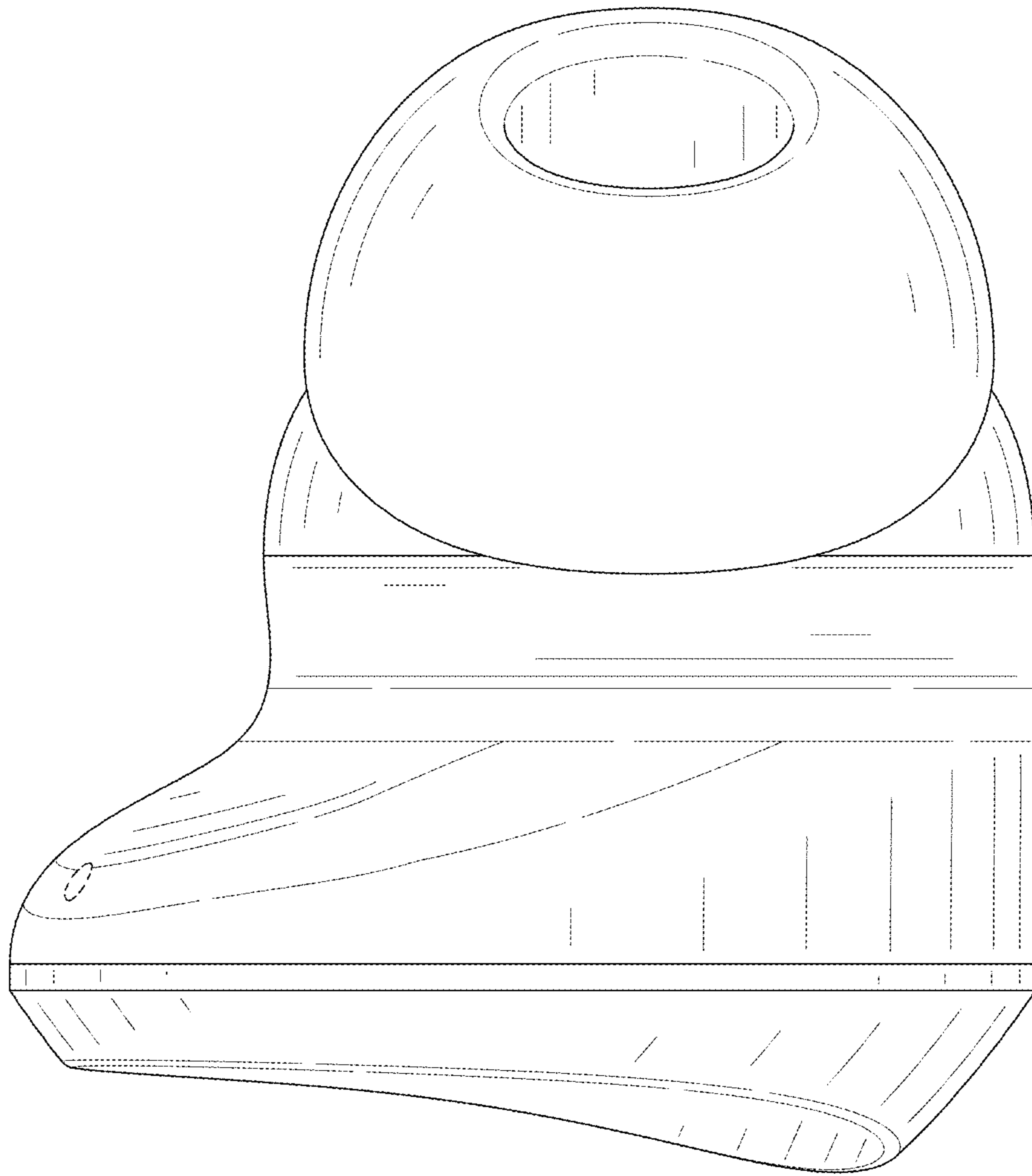


FIG. 3

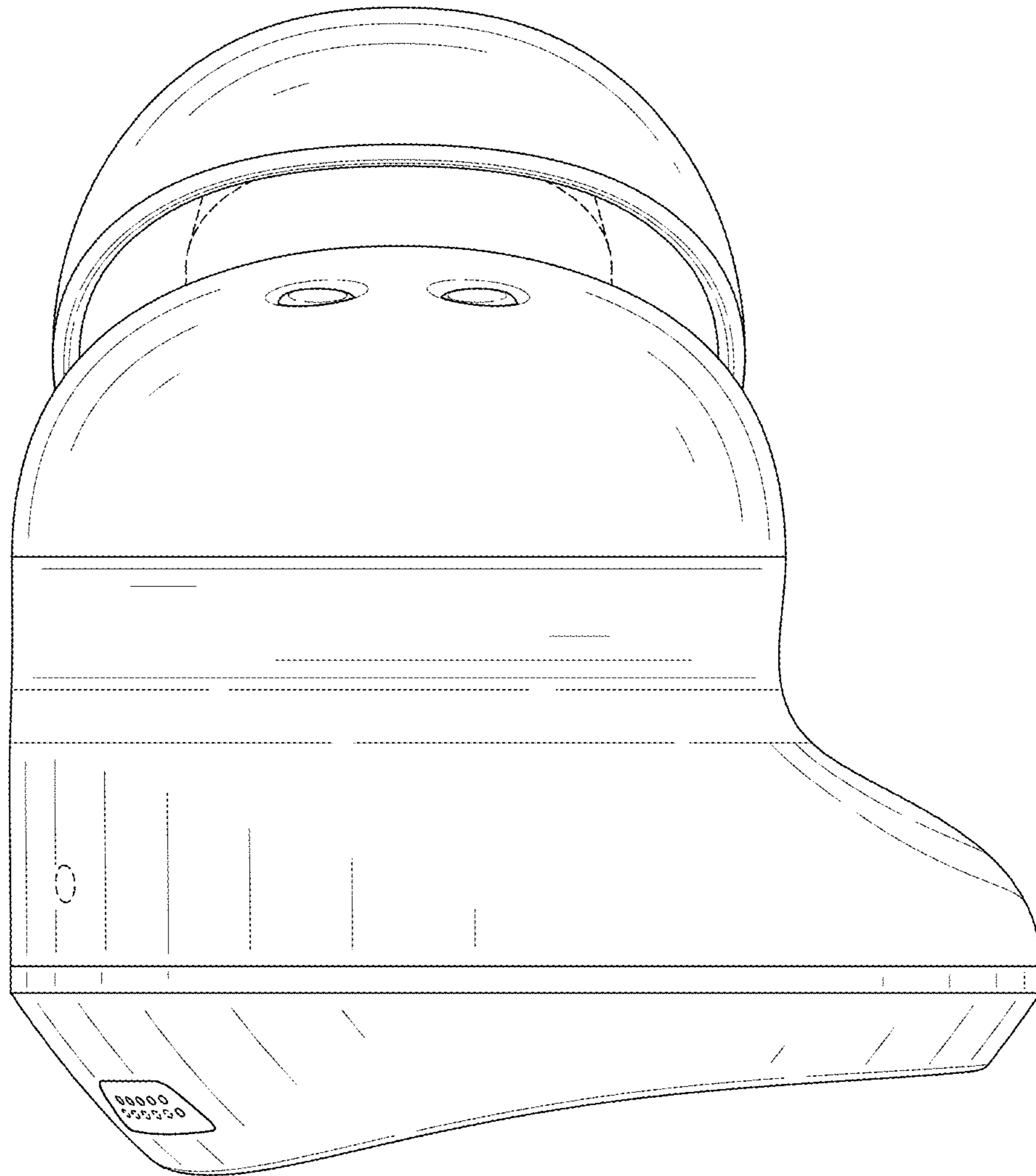


FIG. 4

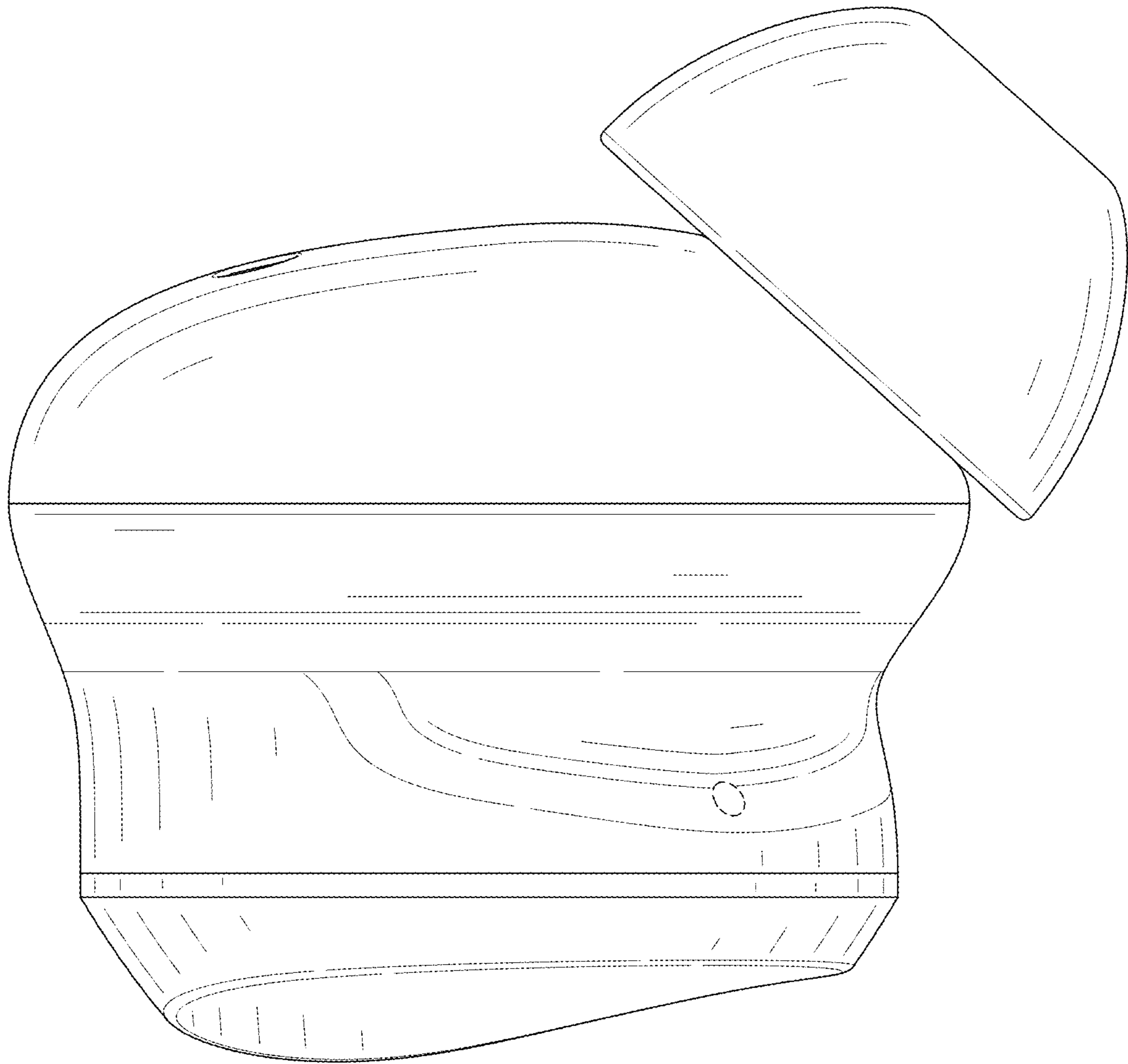


FIG. 5

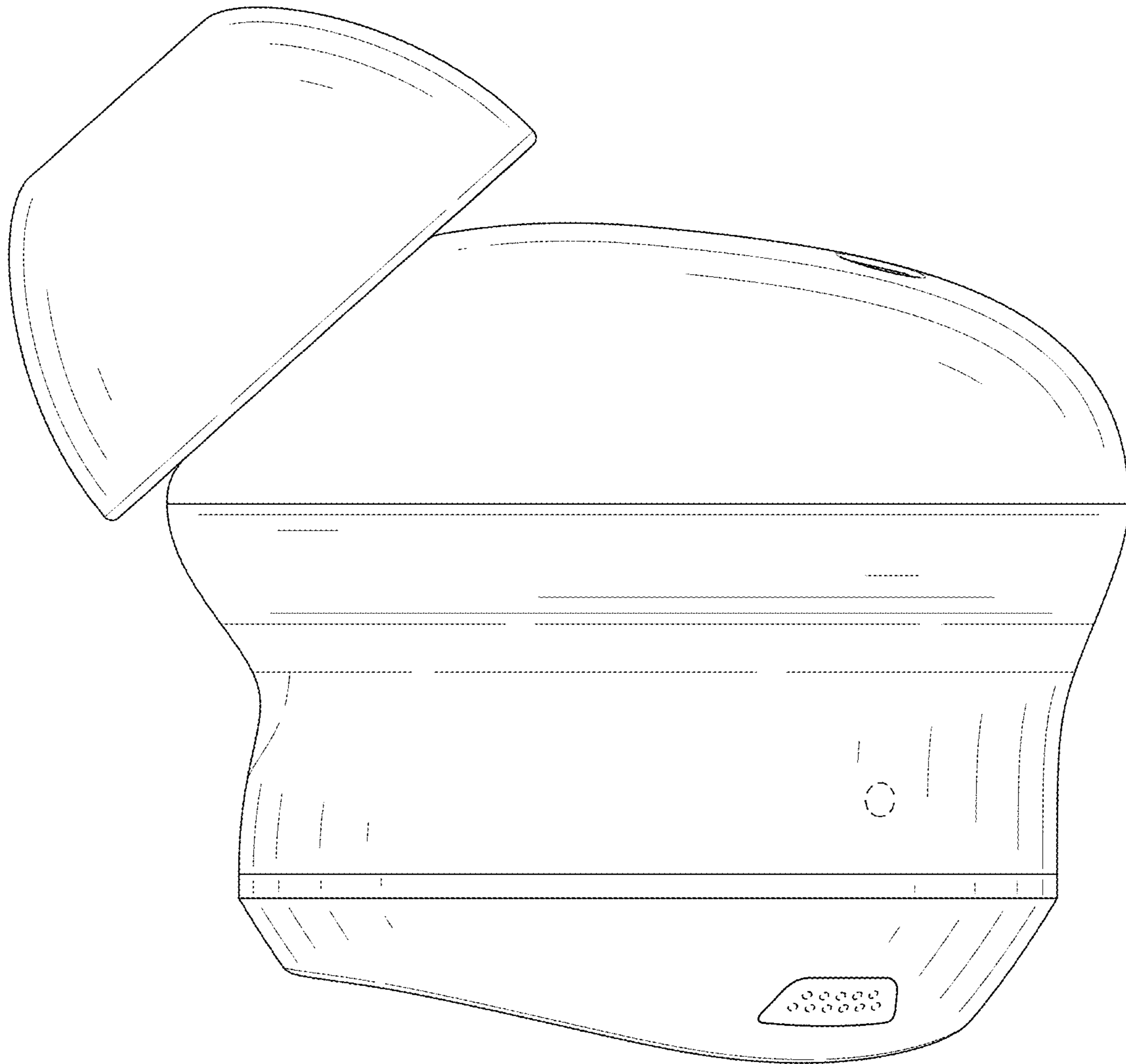


FIG. 6



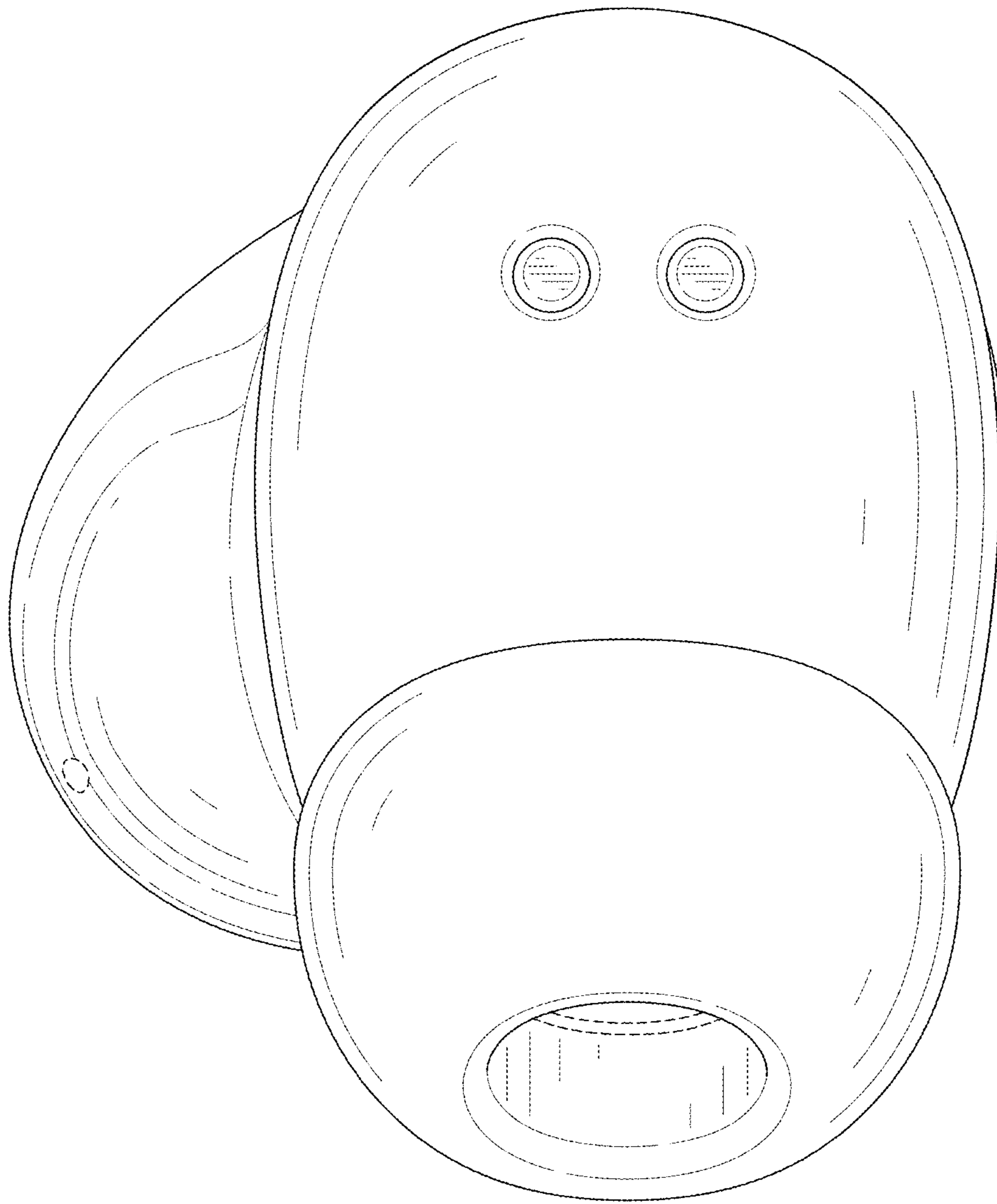


FIG. 7

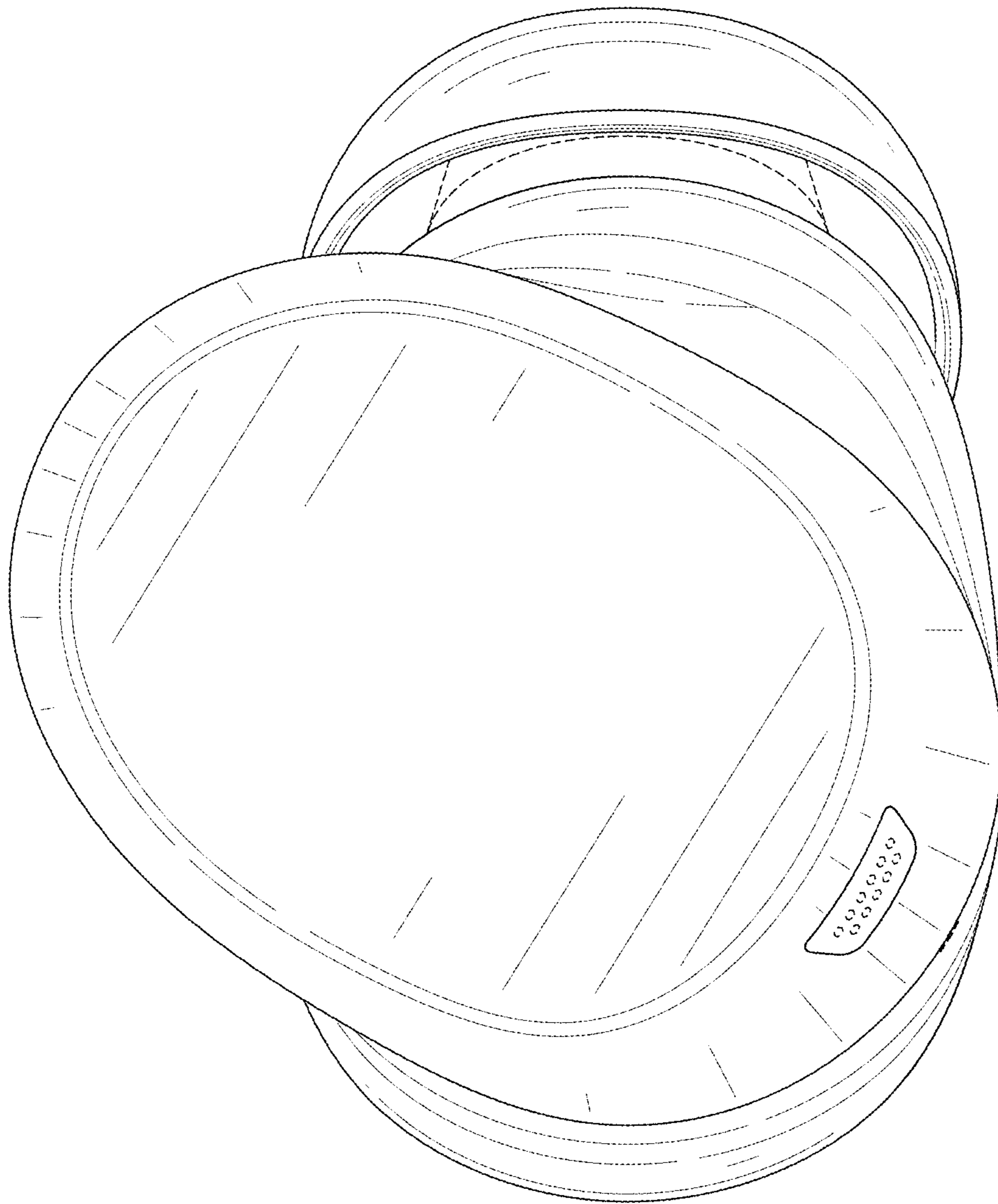


FIG. 8