



US00D954026S

(12) **United States Design Patent**
Sasaki et al.

(10) **Patent No.:** **US D954,026 S**
(45) **Date of Patent:** **** Jun. 7, 2022**

(54) **EARPHONE**

(71) Applicant: **JVCKENWOOD Corporation,**
Yokohama (JP)

(72) Inventors: **Yuzuko Sasaki,** Yokohama (JP);
Satoshi Yoshimura, Yokohama (JP)

(73) Assignee: **JVCKENWOOD Corporation,**
Yokohama (JP)

(**) Term: **15 Years**

(21) Appl. No.: **29/732,038**

(22) Filed: **Apr. 21, 2020**

(30) **Foreign Application Priority Data**

Feb. 7, 2020 (JP) 2020-002350

(51) **LOC (13) Cl.** **14-01**

(52) **U.S. Cl.**
USPC **D14/223**

(58) **Field of Classification Search**
USPC D14/223, 205; D24/174; 128/864, 865,
128/866; 381/380, 381, 322, 328;
455/90.3, 575.1, 569.1
CPC H04R 1/10; H04R 25/00; H04R 25/02;
H04R 1/1066; H04R 1/1016; H04R
5/033; H04R 5/0335; H04R 1/1058;
H04R 1/1091
See application file for complete search history.

(56) **References Cited**

U.S. PATENT DOCUMENTS

2,969,443 A * 1/1961 Barden H01H 13/12
200/434
3,246,112 A * 4/1966 Adams H01H 13/14
200/302.2
4,404,445 A * 9/1983 Baran H01H 3/022
200/314

D362,841 S * 10/1995 Roza D13/171
D377,337 S * 1/1997 Schaeffer D13/171
D464,630 S * 10/2002 Woodworth D13/171
D469,411 S * 1/2003 Decosse D13/171
D477,822 S * 7/2003 Komiyama D14/223
D549,688 S * 8/2007 Suzuki D14/205
D568,290 S * 5/2008 Wikel D14/205
D598,898 S * 8/2009 Davidson D14/215
D606,971 S * 12/2009 Christopher D14/205
D637,182 S * 5/2011 Lee D14/223
D643,833 S * 8/2011 Lee D14/223
D656,491 S * 3/2012 Nomura D14/223
D664,951 S * 8/2012 Ang D14/223

(Continued)

FOREIGN PATENT DOCUMENTS

CN 305075997 * 3/2019
CN 305147985 * 5/2019

Primary Examiner — Paula Allen Greene

(74) *Attorney, Agent, or Firm* — Amin, Turocy & Watson,
LLP

(57) **CLAIM**

The ornamental design for an earphone, as shown and
described.

DESCRIPTION

FIG. 1 is a perspective view of an earphone showing the new
design.

FIG. 2 is a second perspective view of an earphone.

FIG. 3 is a front elevation view thereof.

FIG. 4 is a rear elevation view thereof.

FIG. 5 is a top plan view thereof.

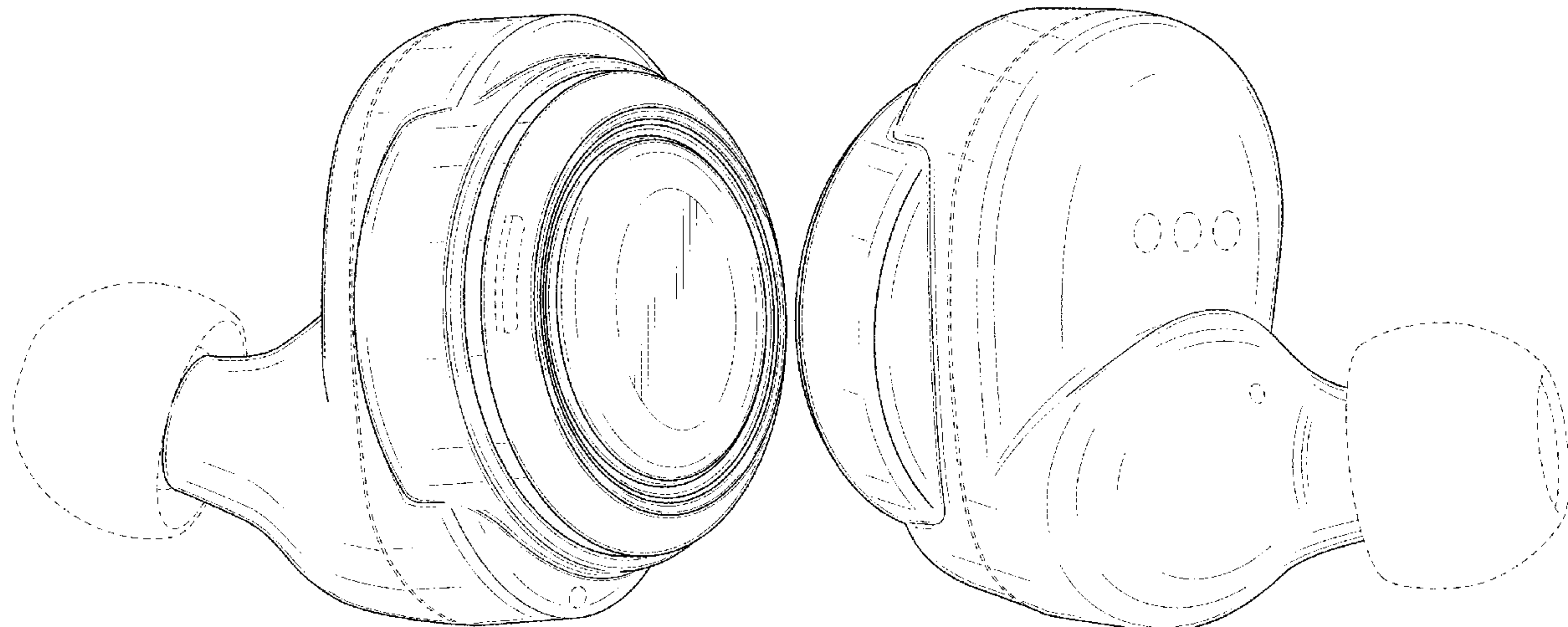
FIG. 6 is a bottom plan view thereof.

FIG. 7 is a left side elevation view thereof; and,

FIG. 8 is a right side elevation view thereof.

The broken lines immediately adjacent the shaded areas
represent the bounds of the claimed design while all other
broken lines are directed to portions of the earphone; the
broken lines form no part of the claimed design.

1 Claim, 8 Drawing Sheets



(56)

References Cited

U.S. PATENT DOCUMENTS

D666,581	S *	9/2012	Perez	D14/223
D673,522	S *	1/2013	Iijima	D14/205
D674,377	S *	1/2013	Schaefer	D14/223
D683,332	S *	5/2013	Lee	D14/223
D683,334	S *	5/2013	Gondo	D14/223
D686,597	S *	7/2013	Lee	D14/223
D697,058	S *	1/2014	Thompson	D14/223
D702,667	S *	4/2014	Yang	H04R 1/1016 D14/223
D710,334	S *	8/2014	Yang	D14/223
8,831,266	B1 *	9/2014	Huang	H04R 1/2811 381/380
D717,772	S *	11/2014	Yang	D14/223
D746,792	S *	1/2016	Kim	D14/205
D762,616	S *	8/2016	Hsieh	D14/205
D777,710	S *	1/2017	Palmborg	D14/223
D778,267	S *	2/2017	Hsieh	D14/223
D781,269	S *	3/2017	Choe	D14/223
D789,909	S *	6/2017	Hung	D14/223
D795,225	S *	8/2017	Sumii	D14/223
D799,452	S *	10/2017	Lee	D14/223
D804,533	S *	12/2017	Mangum	D14/496
D806,879	S *	1/2018	Horbinski	D24/174
D813,848	S *	3/2018	Palmborg	D14/223
D826,211	S *	8/2018	Kim	D14/206
D831,610	S *	10/2018	Aoyagi	D14/205
D841,626	S *	2/2019	Tang	D14/223
D842,844	S *	3/2019	Li	D14/223
D863,260	S *	10/2019	Zheng	D14/223
D864,167	S *	10/2019	Wu	D14/223
D866,530	S *	11/2019	Birger	D14/223
D868,752	S *	12/2019	Zhu	D14/223
D871,376	S *	12/2019	Zhou	D14/223
D872,063	S *	1/2020	Arimoto	D14/223
D872,064	S *	1/2020	Cai	D14/223
D879,074	S *	3/2020	Komiya	D14/223
D880,457	S *	4/2020	Zhu	D14/223
D883,257	S *	5/2020	Duddy	D14/223
D883,261	S *	5/2020	Zhang	D14/223
D883,958	S *	5/2020	Liu	D14/223
D884,681	S *	5/2020	Zhang	D14/223
D887,395	S *	6/2020	Wang	D14/223
D889,441	S *	7/2020	Lin	D14/223
D892,085	S *	8/2020	Kim	D14/223
D892,086	S *	8/2020	Bonahoom	D14/223
D892,087	S *	8/2020	Briggs	D14/223
D894,158	S *	8/2020	Gu	D14/223
D895,580	S *	9/2020	Yu	D14/223
D896,205	S *	9/2020	Zhang	D14/223
D897,318	S *	9/2020	Blundell	D14/223
D897,319	S *	9/2020	Wang	D14/223
D897,322	S *	9/2020	Wei	D14/223
D897,996	S *	10/2020	Mei	D14/223
D899,405	S *	10/2020	Vaclavik	D14/223
D900,064	S *	10/2020	Laffon de Mazieres	D14/223
D902,182	S *	11/2020	Wang	D14/223
D902,184	S *	11/2020	Yang	D14/223
D902,185	S *	11/2020	Xian	D14/223
10,827,249	B1 *	11/2020	Pine	H04R 1/1025
D903,638	S *	12/2020	Li	D14/223
D904,349	S *	12/2020	Saxton	D14/223
D905,664	S *	12/2020	He	D14/223
D906,292	S *	12/2020	Wang	D14/223
D906,293	S *	12/2020	Williamson	D14/223
D906,298	S *	12/2020	Wang	D14/223
D908,667	S *	1/2021	He	D14/223
D909,995	S *	2/2021	Cai	D14/223
D912,016	S *	3/2021	Ando	D14/223
D912,647	S *	3/2021	Williamson	D14/223
D912,648	S *	3/2021	Williamson	D14/223
D915,358	S *	4/2021	Ma	D14/223
D917,425	S *	4/2021	Wang	D14/223
D918,181	S *	5/2021	Bailey	D14/223
D918,873	S *	5/2021	Deng	D14/223
D920,288	S *	5/2021	Vautour	D14/223
D920,958	S *	6/2021	Ye	D14/223
D922,358	S *	6/2021	Li	D14/223
D922,985	S *	6/2021	Kataoka	D14/223
D923,610	S *	6/2021	Bonahoom	D14/223
D924,207	S *	7/2021	Li	D14/223
D924,848	S *	7/2021	Yang	D14/223
D924,849	S *	7/2021	Yang	D14/223
D924,850	S *	7/2021	Takubo	D14/223
D924,851	S *	7/2021	Li	D14/223
D925,492	S *	7/2021	Sugiura	D14/223
D925,497	S *	7/2021	Laffon de Mazieres	D14/223
D926,162	S *	7/2021	Dang	D14/223
D926,163	S *	7/2021	Williamson	D14/223
D927,466	S *	8/2021	Zhang	D14/223
D928,122	S *	8/2021	Yoshida	D14/223
D928,124	S *	8/2021	Liu	D14/223
D928,742	S *	8/2021	Liu	D14/223
D929,378	S *	8/2021	Li	D14/223
D929,970	S *	9/2021	Lin	D14/223
D930,615	S *	9/2021	Tanaka	D14/223
D930,617	S *	9/2021	Tanaka	D14/223
D930,620	S *	9/2021	Lindenberger	D14/223
D930,622	S *	9/2021	Lin	D14/223
D931,256	S *	9/2021	Lu	D14/223
D934,840	S *	11/2021	Takubo	D14/223
D934,841	S *	11/2021	Takubo	D14/223
D936,638	S *	11/2021	Lefebure	D14/223
D938,941	S *	12/2021	Iwahori	D14/223
D939,478	S *	12/2021	Wu	D14/223
D939,479	S *	12/2021	Wang	D14/223
D940,107	S *	1/2022	He	D14/223
D940,108	S *	1/2022	Wu	D14/223
D941,275	S *	1/2022	Liu	D14/223
D941,278	S *	1/2022	Laffon de Mazieres	D14/223
2012/0114160	A1 *	5/2012	Lin	H04R 1/1091 381/380
2016/0014498	A1 *	1/2016	Paschel	H04R 1/1016 381/380
2017/0026738	A1 *	1/2017	Tang	H04R 1/1091
2017/0134845	A1 *	5/2017	Milam	H04R 1/1033
2018/0035196	A1 *	2/2018	Yeung	H04R 1/1058
2020/0177981	A1 *	6/2020	Ma	H04R 1/1016
2020/0186906	A1 *	6/2020	Birch	H04R 1/1016
2021/0006890	A1 *	1/2021	Zhang	H04R 1/1066
2021/0152921	A1 *	5/2021	Silva	H04R 1/1025
2021/0337303	A1 *	10/2021	Macomber	H04R 1/1016

* cited by examiner

FIG. 1

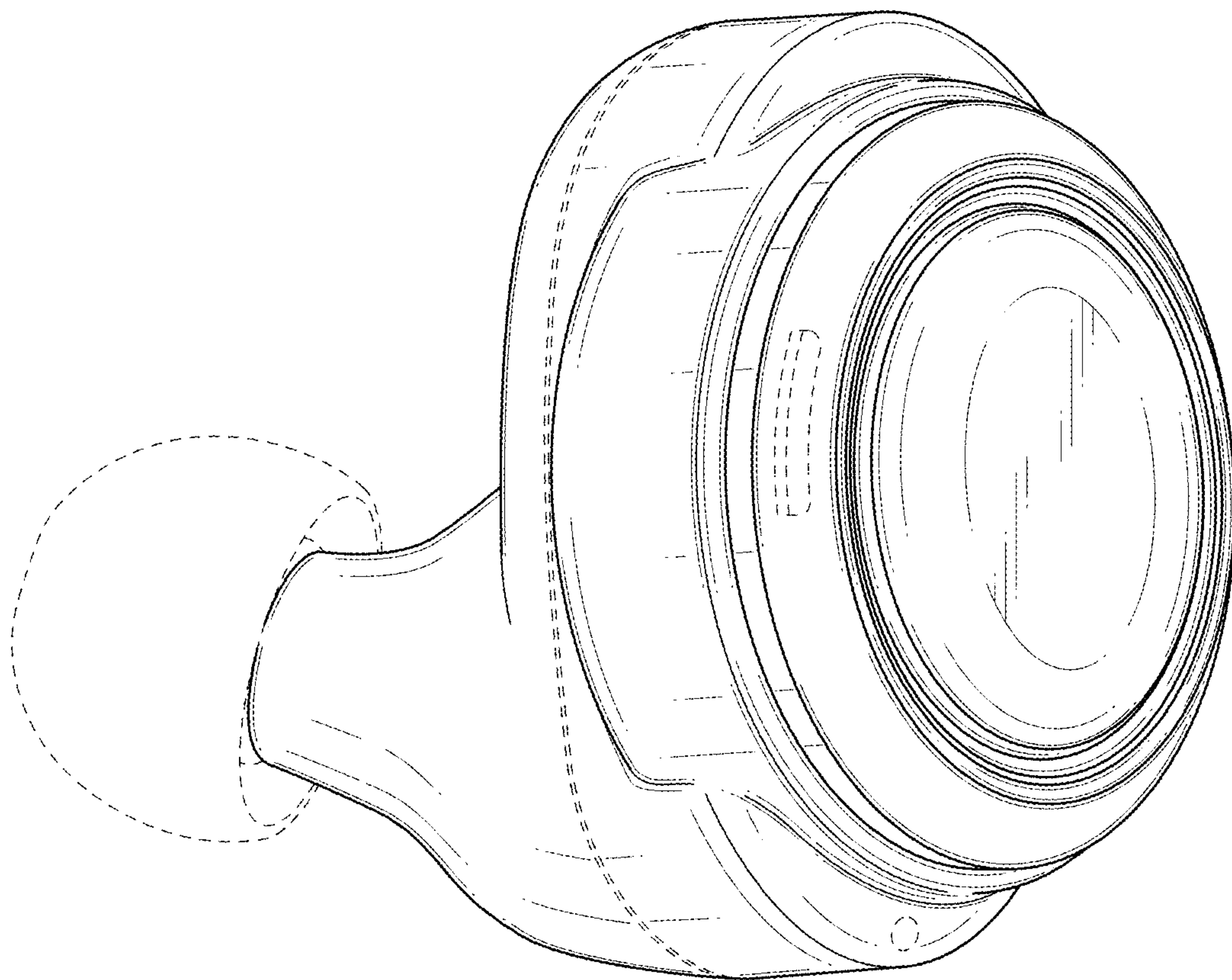


FIG. 2

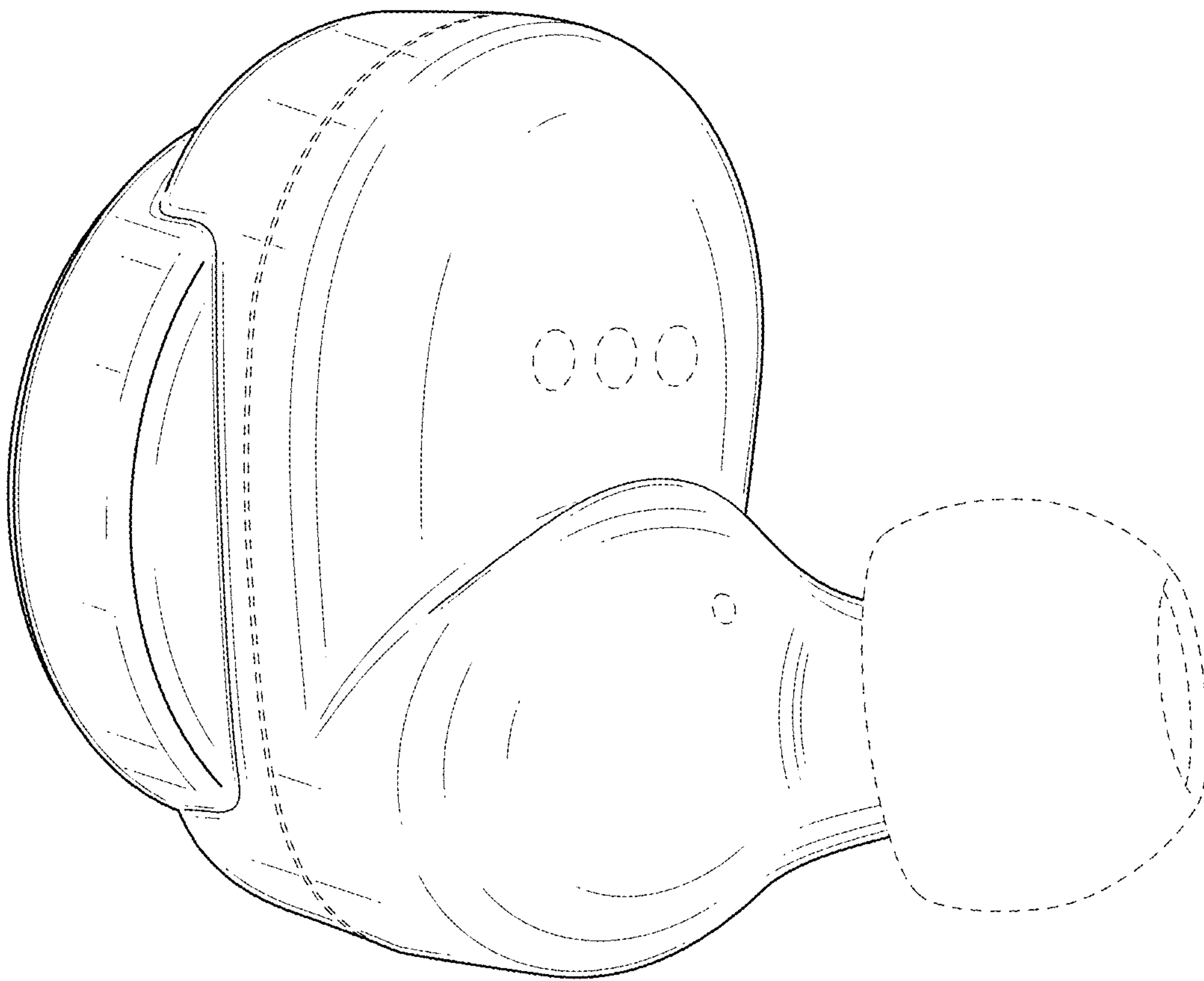


FIG. 3

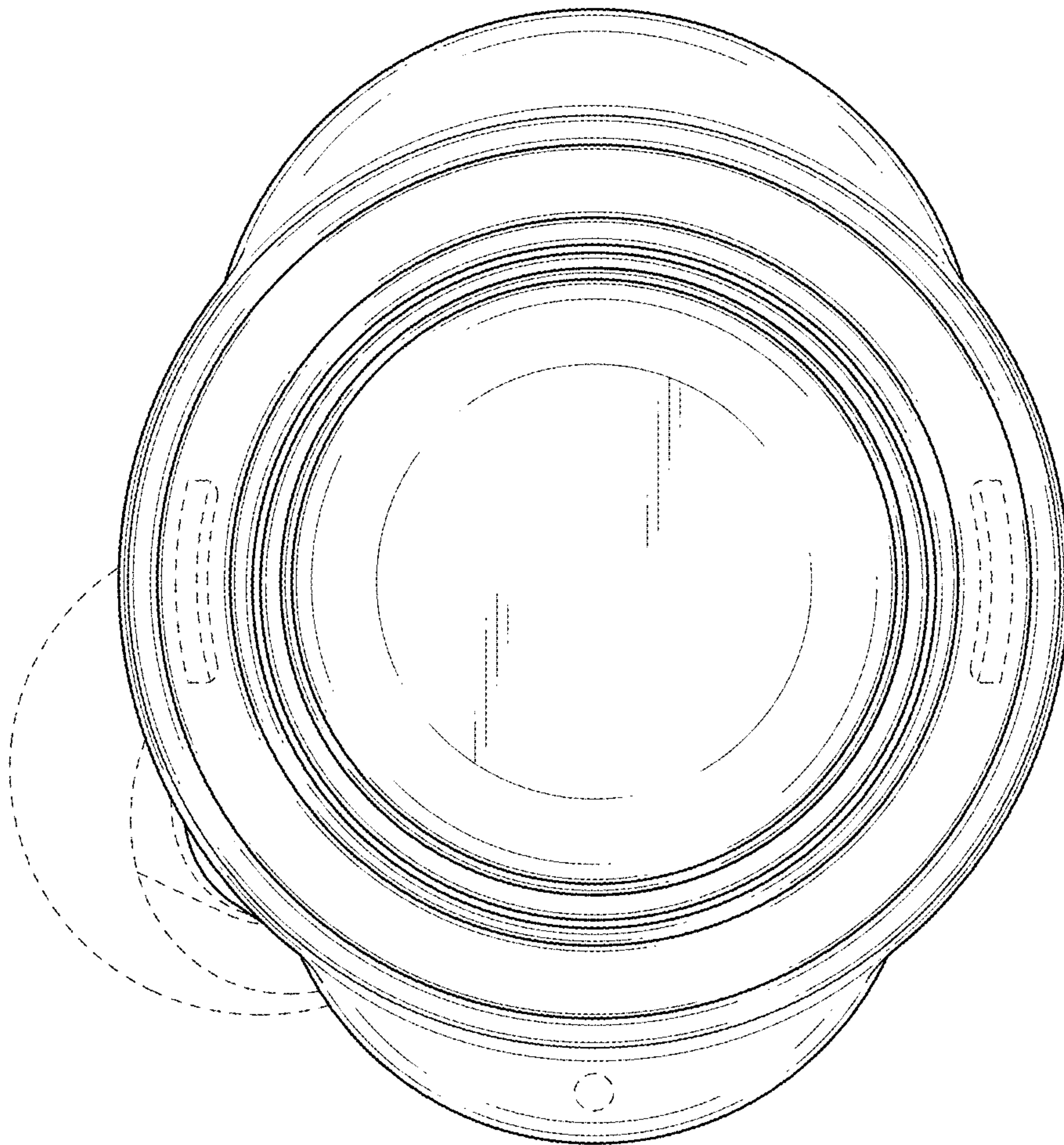


FIG. 4

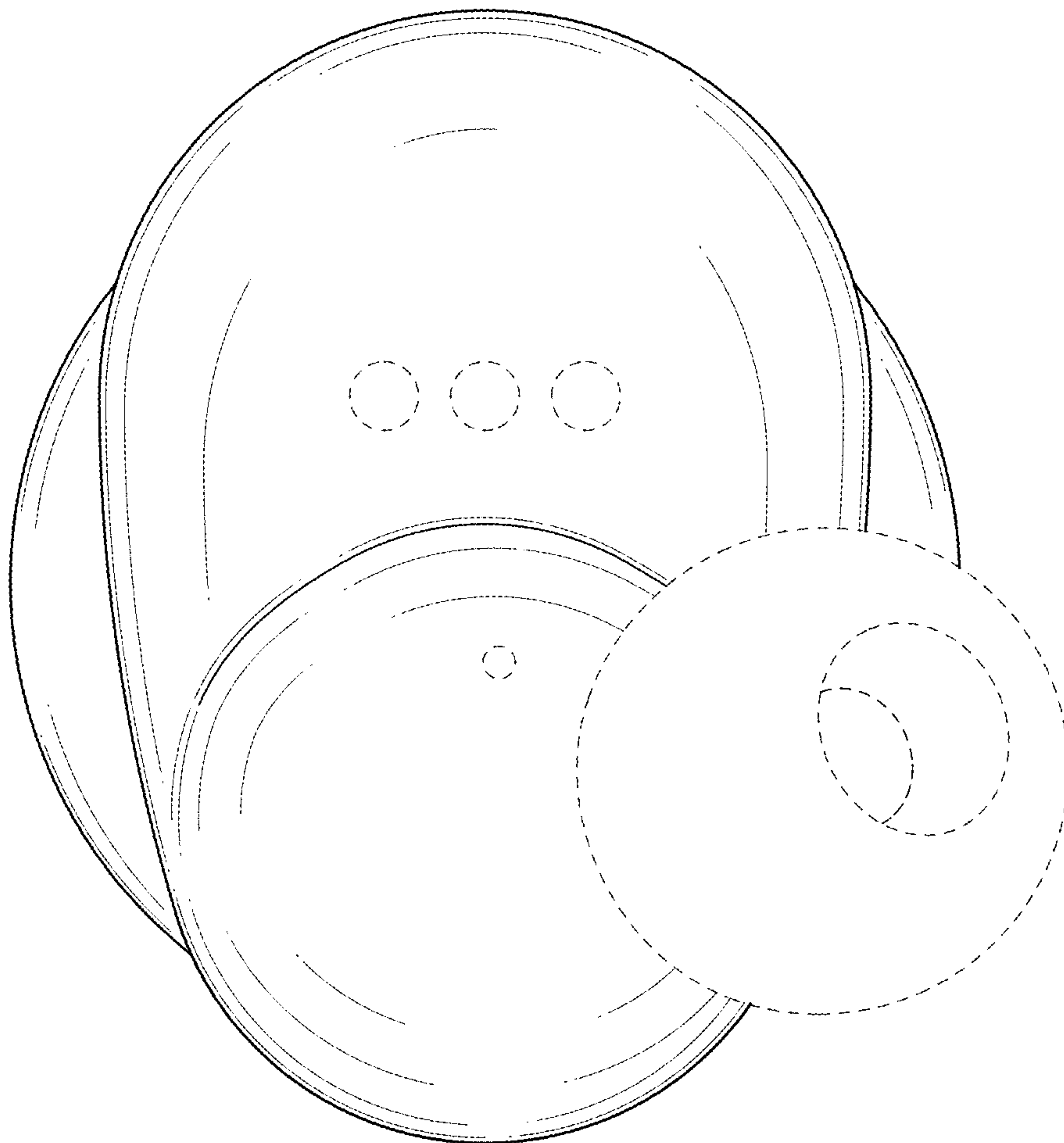


FIG. 5

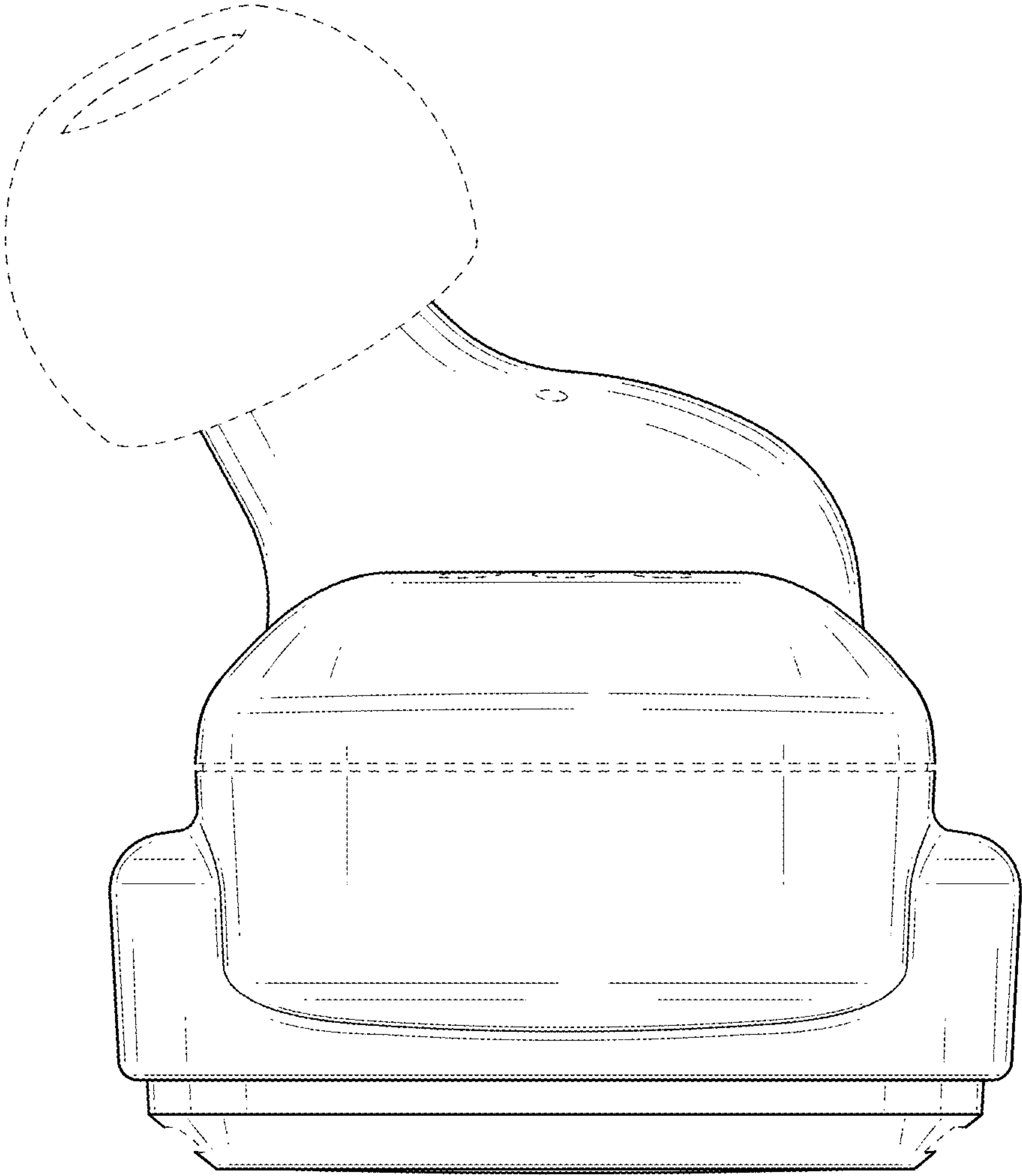


FIG. 6

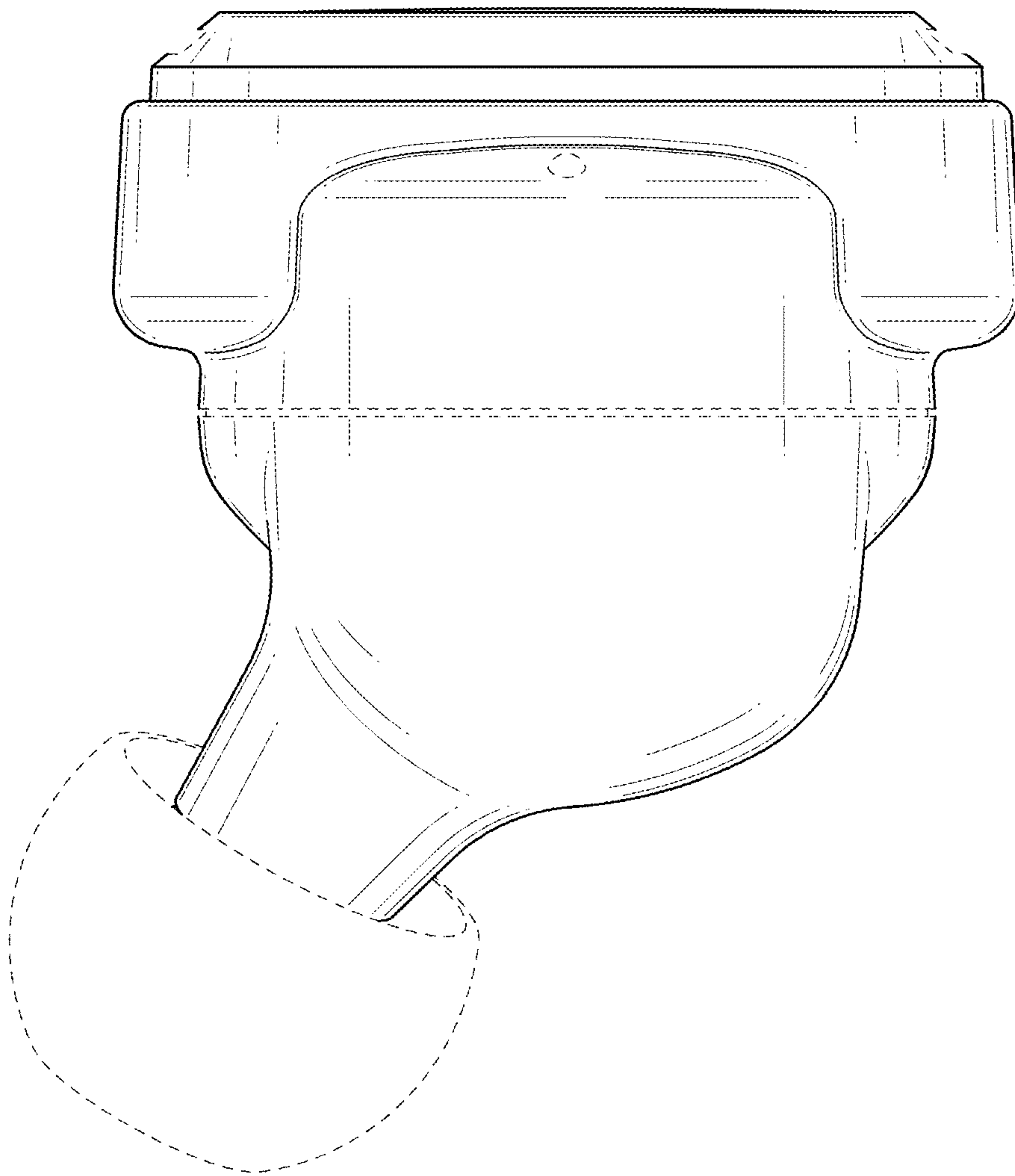


FIG. 7

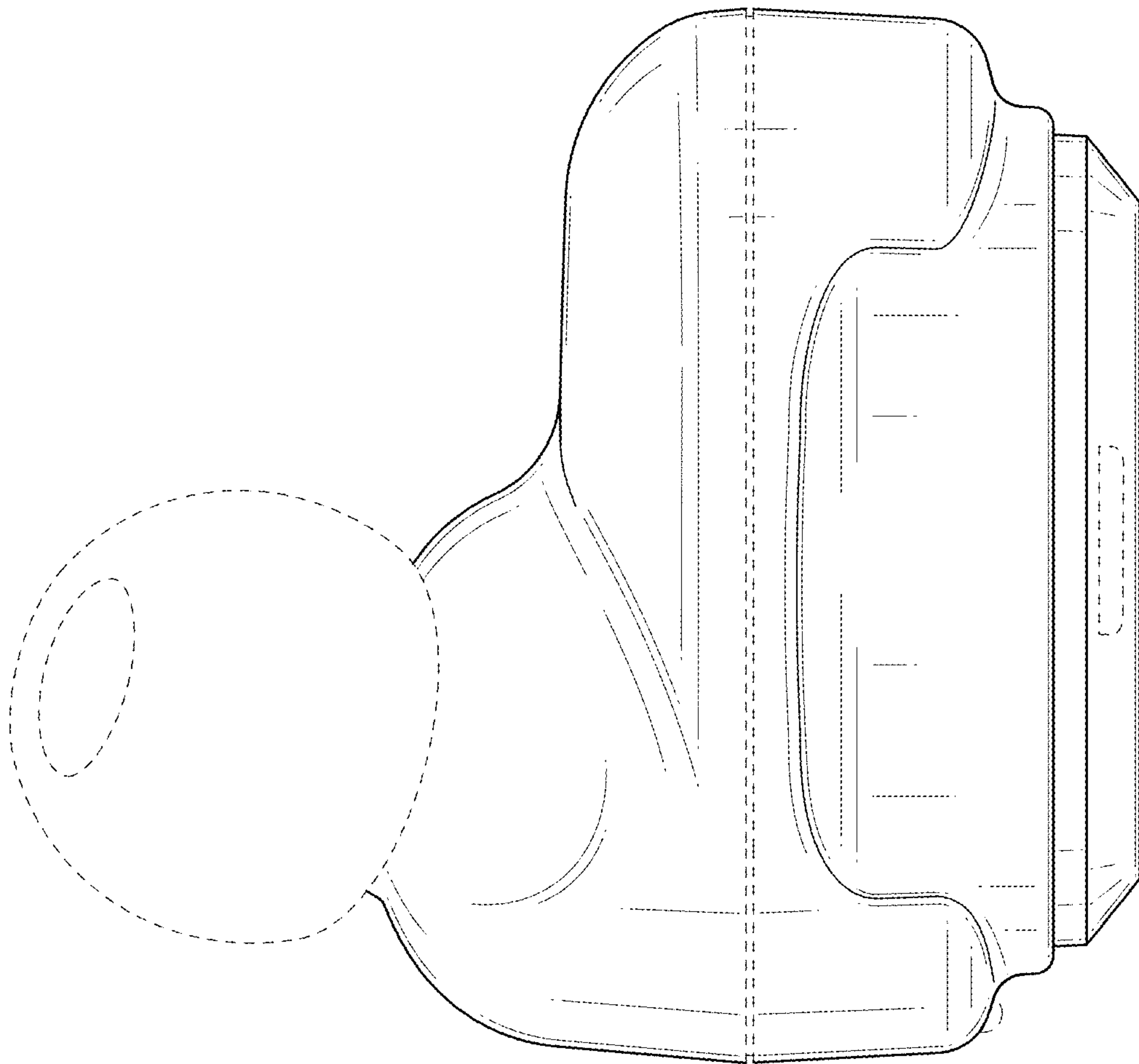


FIG. 8

